

US00D715901S

(12) **United States Design Patent**
Antoniello

(10) **Patent No.:** **US D715,901 S**

(45) **Date of Patent:** **** Oct. 21, 2014**

- (54) **UNIVERSAL DRAIN ADAPTER**
- (71) Applicant: **Frank Antoniello**, Commack, NY (US)
- (72) Inventor: **Frank Antoniello**, Commack, NY (US)
- (**) Term: **14 Years**
- (21) Appl. No.: **29/485,149**
- (22) Filed: **Mar. 17, 2014**
- (51) **LOC (10) Cl.** **23-01**
- (52) **U.S. Cl.**
USPC **D23/259**
- (58) **Field of Classification Search**
USPC D23/259, 262; 4/252.1, 252.4; 138/90;
285/56-60
See application file for complete search history.

| | | | | | |
|-----------|------|---------|---------------|-------|---------|
| 7,624,759 | B1 * | 12/2009 | Ismert et al. | | 138/89 |
| 7,699,355 | B2 * | 4/2010 | Vitel et al. | | 285/184 |
| 7,805,777 | B2 * | 10/2010 | Hughes | | 4/252.4 |
| 7,913,328 | B2 * | 3/2011 | Halloran | | 4/353 |
| 8,028,357 | B2 * | 10/2011 | Ball | | 4/680 |
| D699,822 | S * | 2/2014 | Beaudoin | | D23/267 |
| 8,683,619 | B2 * | 4/2014 | Hughes | | 4/252.4 |

* cited by examiner

Primary Examiner — Eric Goodman

(74) *Attorney, Agent, or Firm* — Harvey Lunenfeld

(57) **CLAIM**

The ornamental design for a universal drain adapter, as shown and described.

DESCRIPTION

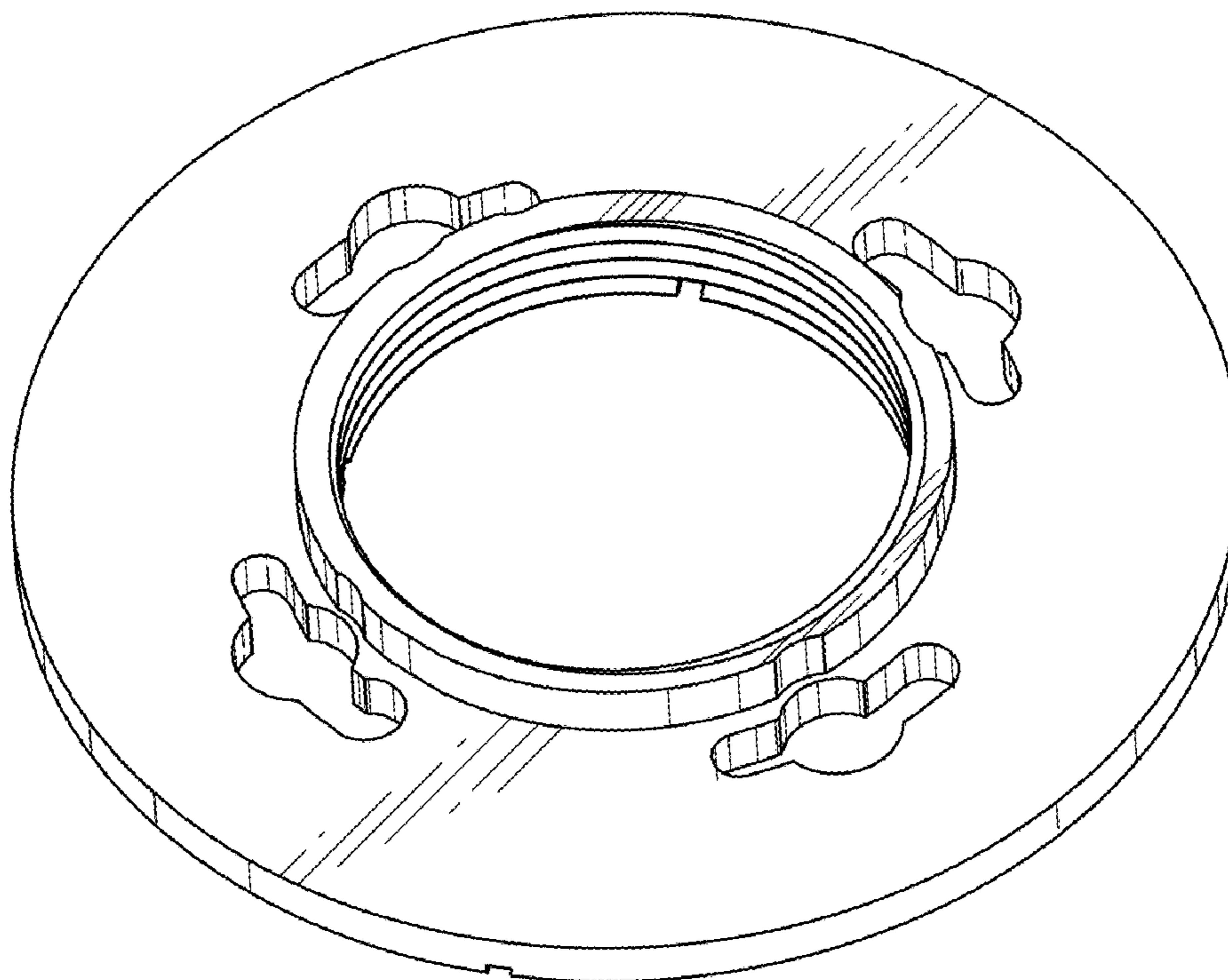
FIG. 1 is a top perspective view of a universal drain adapter, showing my new design;
 FIG. 2 is a bottom perspective view thereof;
 FIG. 3 is a top plan view thereof;
 FIG. 4 is an elevation view thereof; and,
 FIG. 5 is a bottom plan view thereof.

1 Claim, 4 Drawing Sheets

(56) **References Cited**

U.S. PATENT DOCUMENTS

| | | | | | |
|-----------|------|--------|----------------|-------|---------|
| 4,574,402 | A * | 3/1986 | Brown, Sr. | | 4/252.5 |
| D334,051 | S * | 3/1993 | Fell, Sr. | | D23/262 |
| 6,438,765 | B1 * | 8/2002 | Johnson et al. | | 4/252.4 |
| 6,442,769 | B1 * | 9/2002 | Phillips | | 4/252.4 |
| D574,931 | S * | 8/2008 | Hughes | | D23/262 |



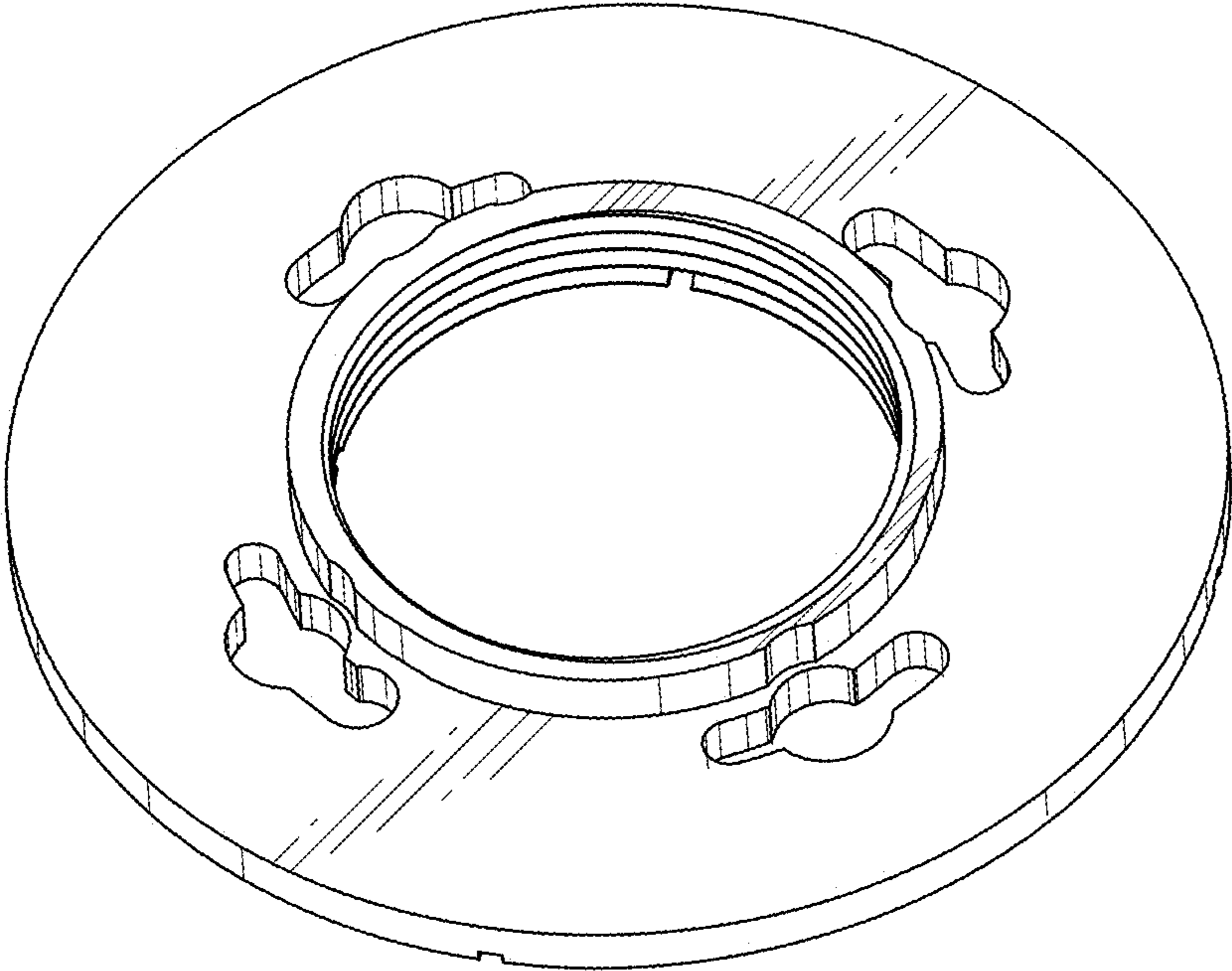


FIG. 1

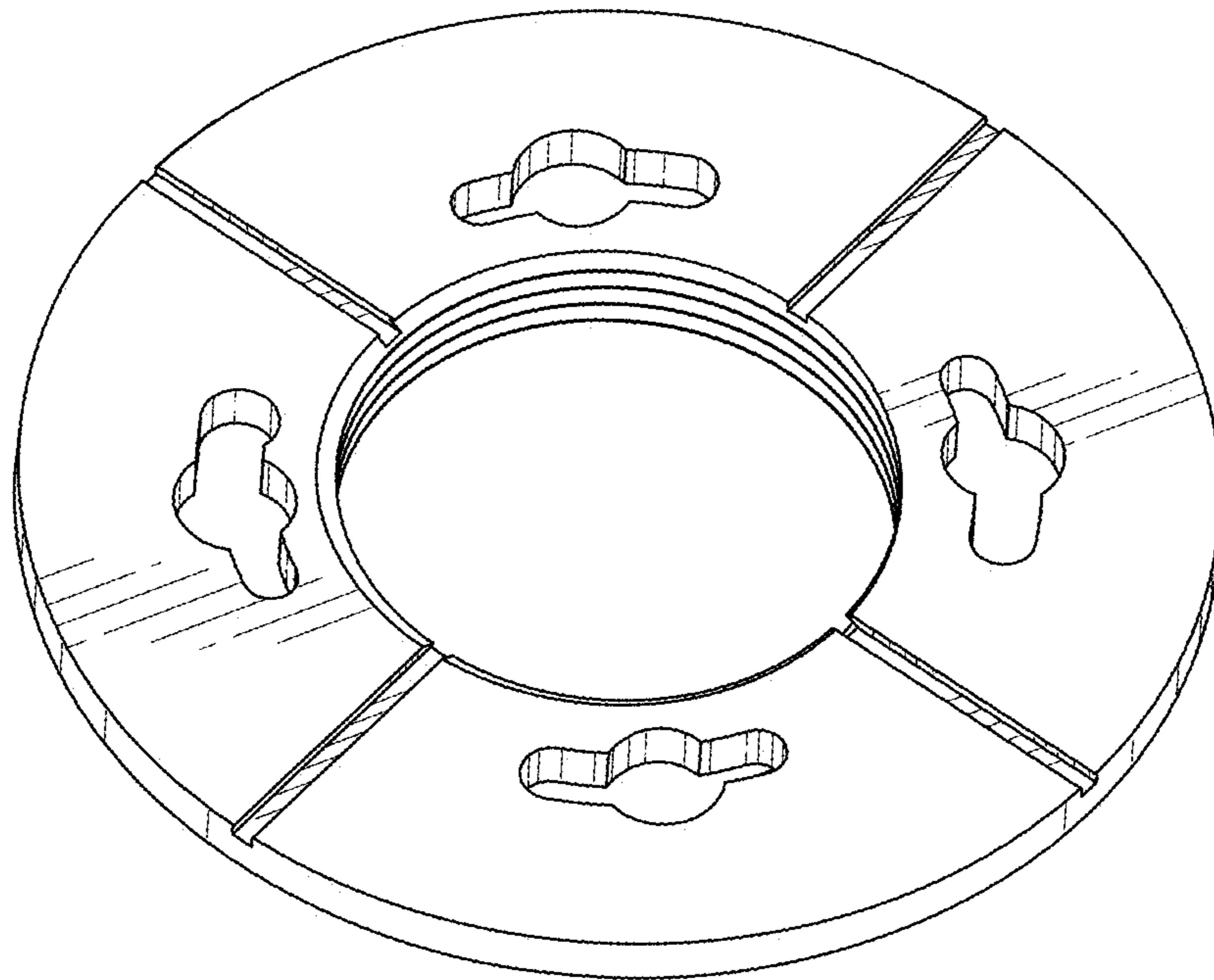


FIG. 2

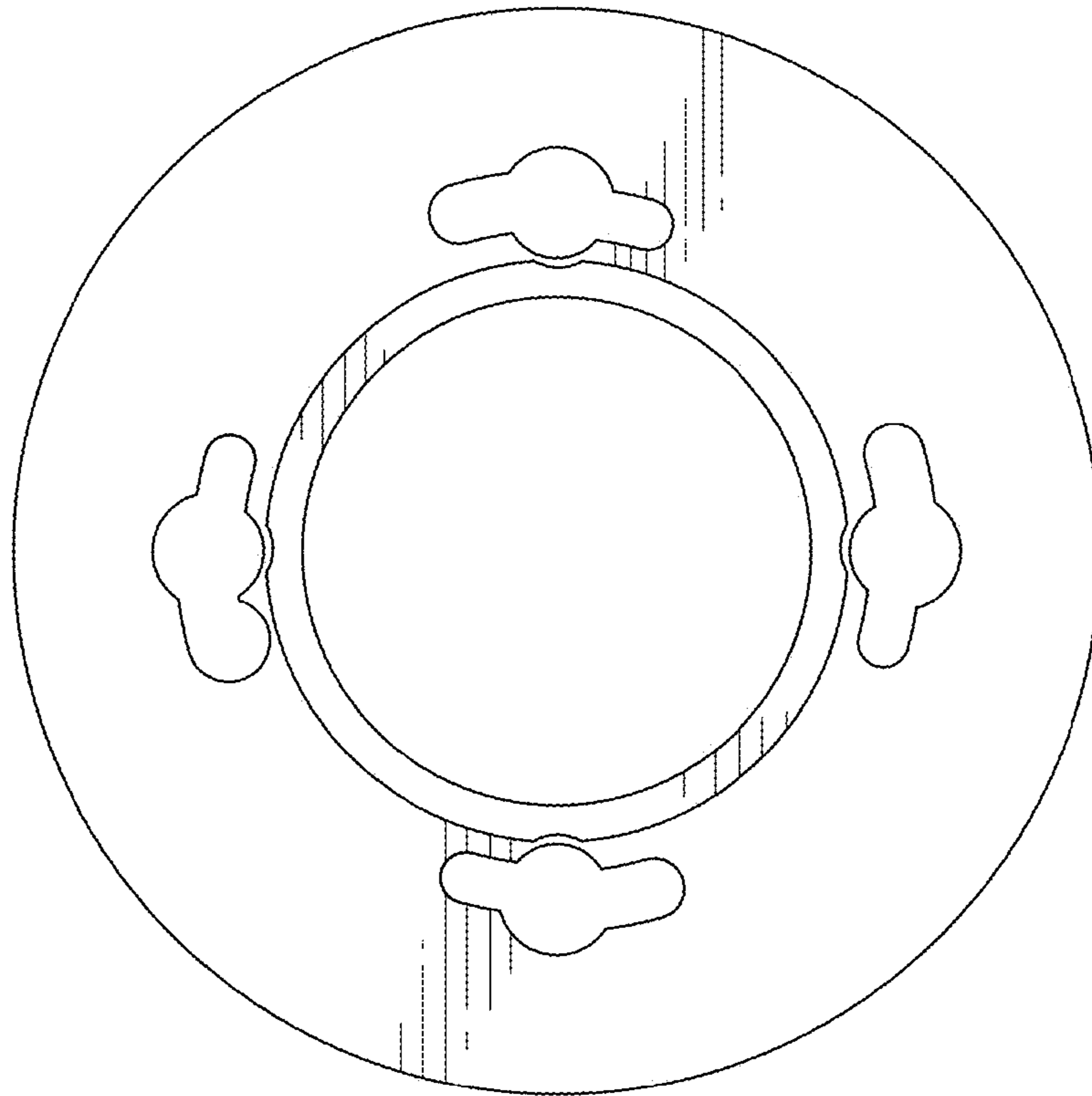


FIG. 3

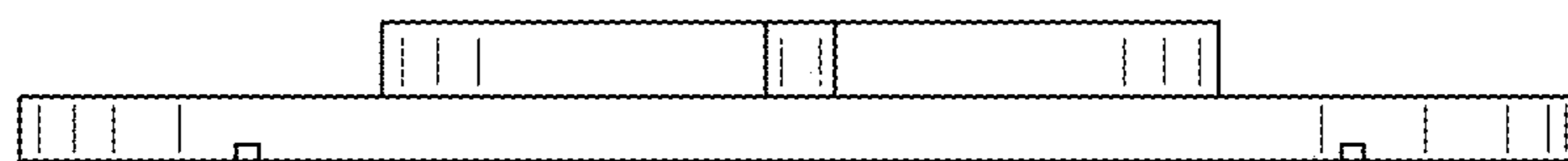


FIG. 4

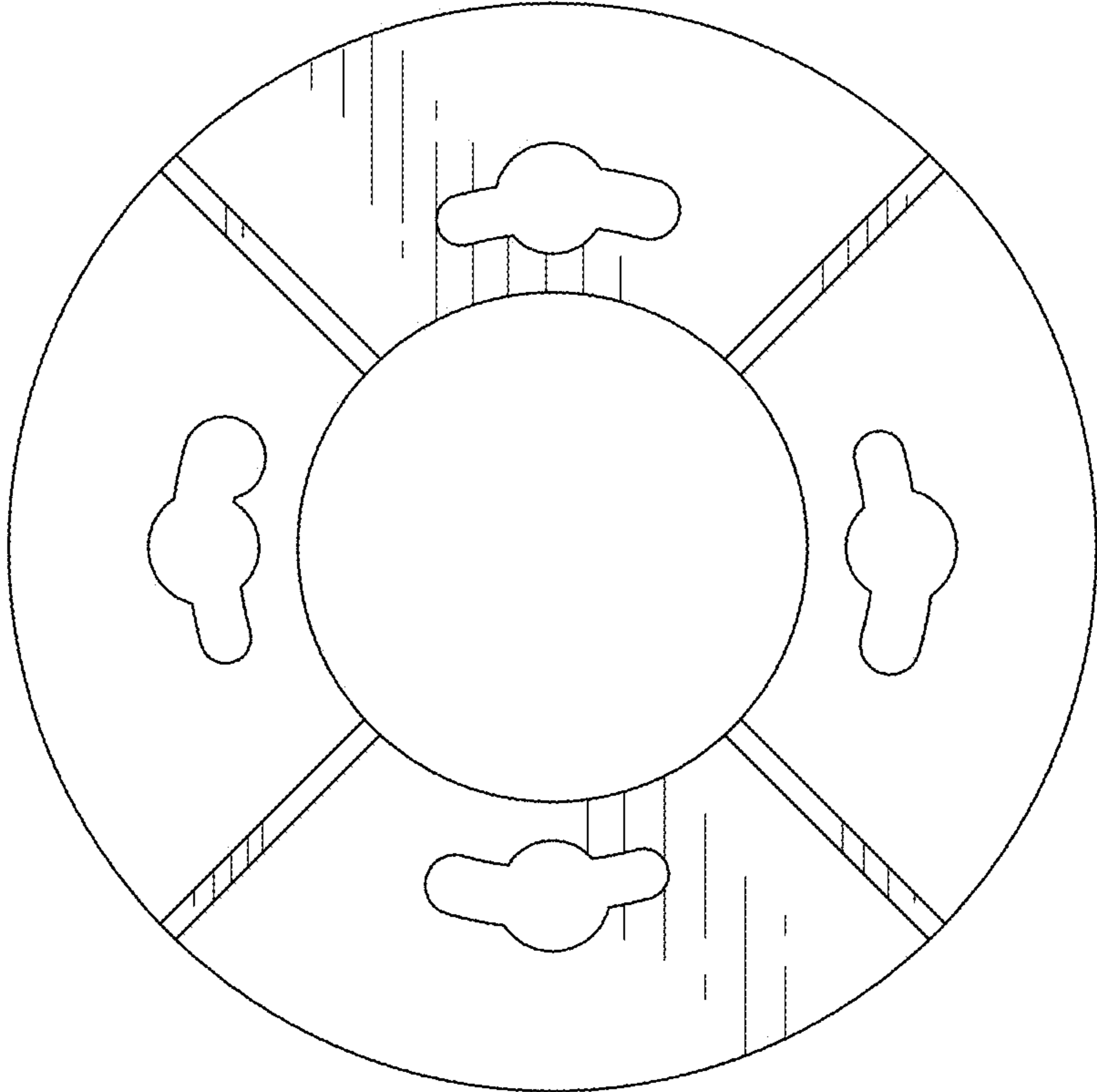


FIG. 5