



US00D715900S

(12) **United States Design Patent**  
**Flowers et al.**

(10) **Patent No.:** **US D715,900 S**  
(45) **Date of Patent:** **\*\* Oct. 21, 2014**

(54) **FAUCET**

(71) Applicant: **Grohe AG**, Hemer (DE)

(72) Inventors: **Paul Flowers**, Duesseldorf (DE); **Jochen Allard**, Menden (DE)

(73) Assignee: **Grohe AG**, Hemer (DE)

(\*\*) Term: **14 Years**

(21) Appl. No.: **29/465,447**

(22) Filed: **Aug. 28, 2013**

(30) **Foreign Application Priority Data**

Apr. 2, 2013 (EM) ..... 002212464-0001

(51) **LOC (10) Cl.** ..... **23-02**

(52) **U.S. Cl.**  
USPC ..... **D23/242**

(58) **Field of Classification Search**  
USPC ..... D23/238-243, 250, 252, 254-255, 257,  
D23/249; 4/675-678; 137/801  
See application file for complete search history.

(56) **References Cited**

U.S. PATENT DOCUMENTS

D498,822 S *	11/2004	Lin	.....	D23/252
D520,604 S *	5/2006	Fritz	.....	D23/241
D578,614 S *	10/2008	Fritz et al.	.....	D23/241
D607,088 S *	12/2009	Lammel et al.	.....	D23/242
D652,117 S *	1/2012	Slothower et al.	.....	D23/242

\* cited by examiner

*Primary Examiner* — Robert Delehanty

(74) *Attorney, Agent, or Firm* — Muncy, Geissler, Olds & Lowe, P.C.

(57) **CLAIM**

The ornamental design for a faucet, as shown and described.

**DESCRIPTION**

FIG. 1 is a front elevational view of a faucet according to the present invention.

FIG. 2 is a rear elevational view of the faucet of FIG. 1.

FIG. 3 is a right side elevational view of the faucet of FIG. 1.

FIG. 4 is a left side elevational view of the faucet of FIG. 1.

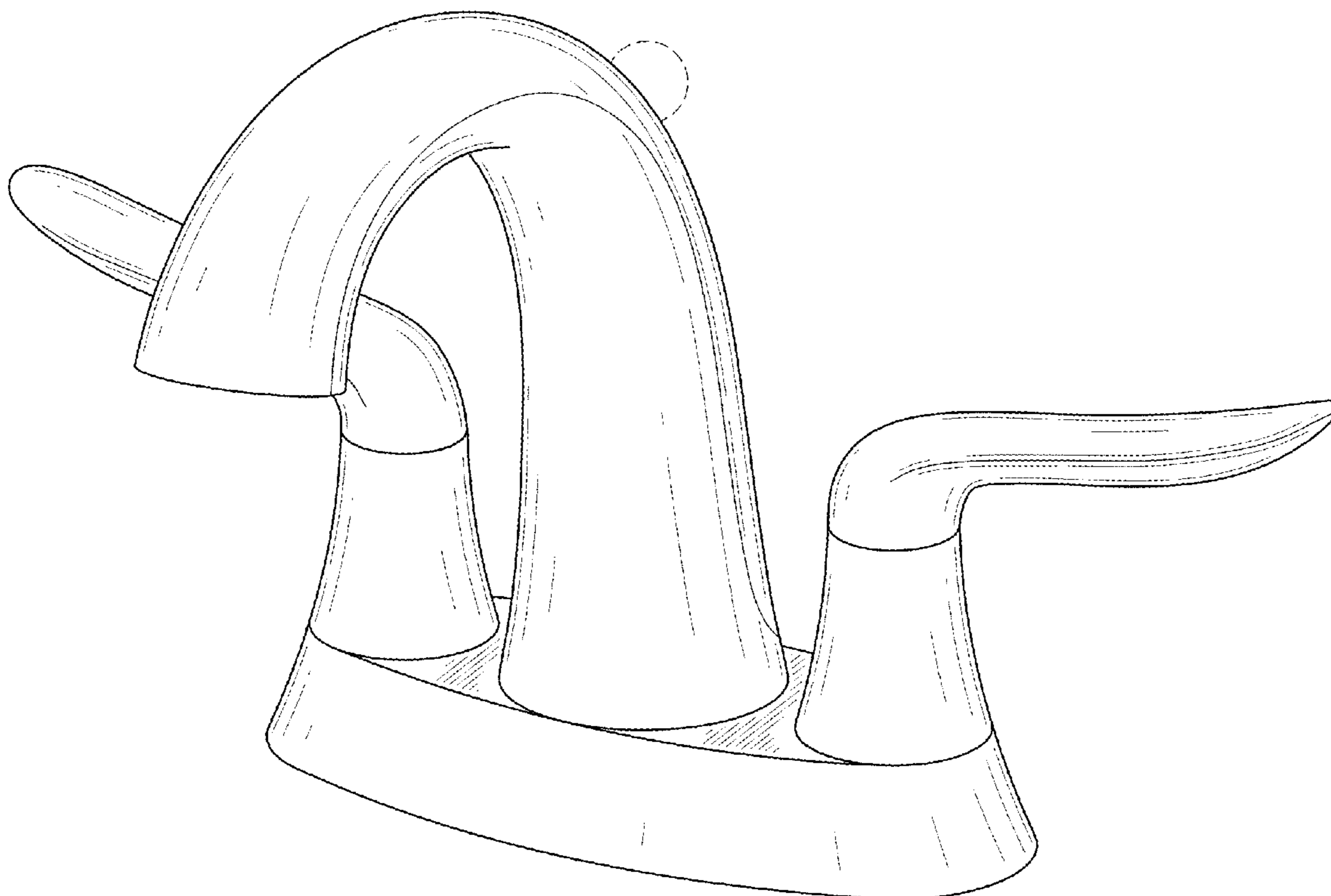
FIG. 5 is a top plan view of the faucet of FIG. 1.

FIG. 6 is a bottom plan view of the faucet of FIG. 1; and,

FIG. 7 is a perspective view of the faucet of FIG. 1.

The dashed lines illustrate environment that does not form a part of the present invention, and no claim is made to the material illustrated with dashed lines.

**1 Claim, 7 Drawing Sheets**



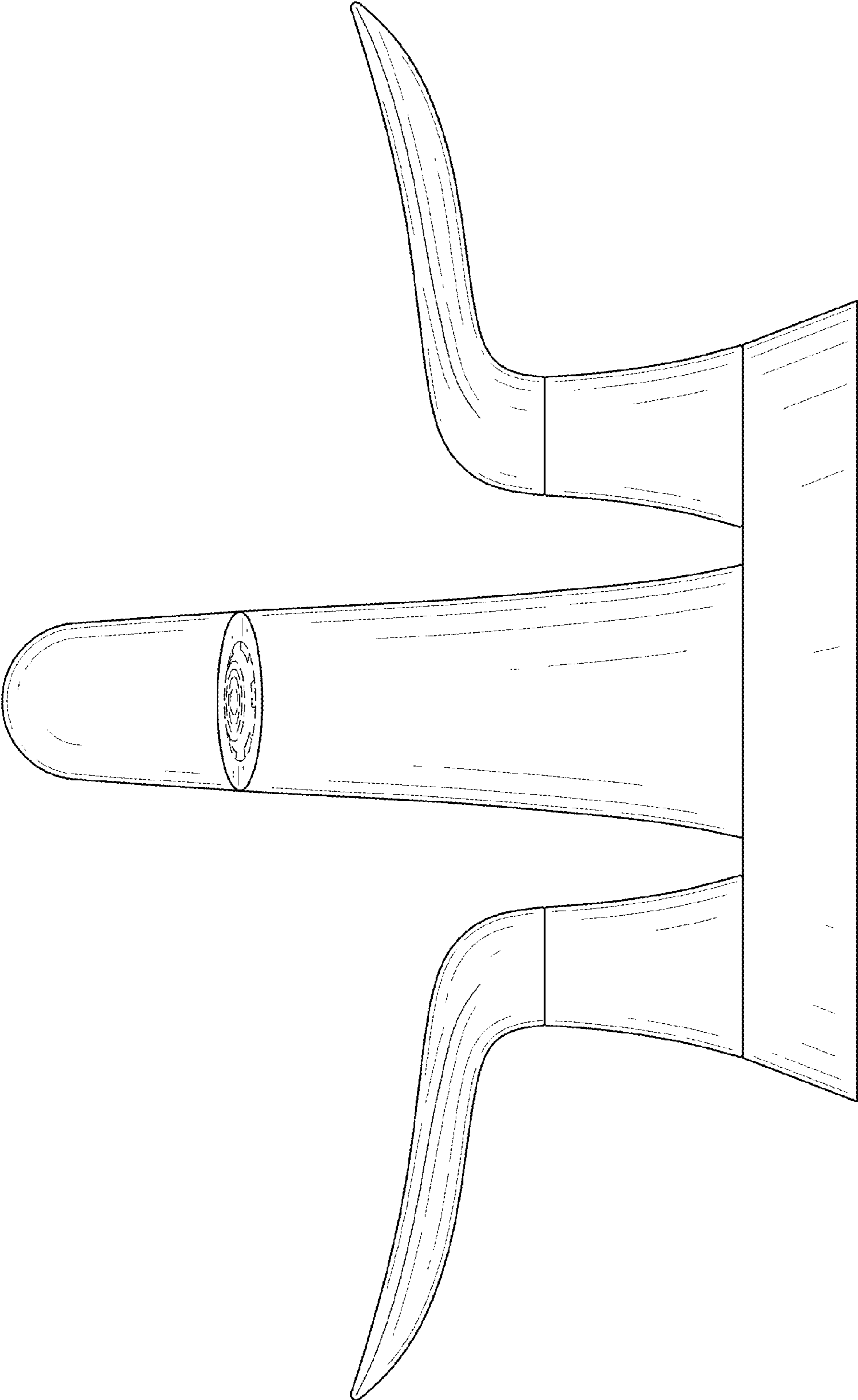


FIG.1

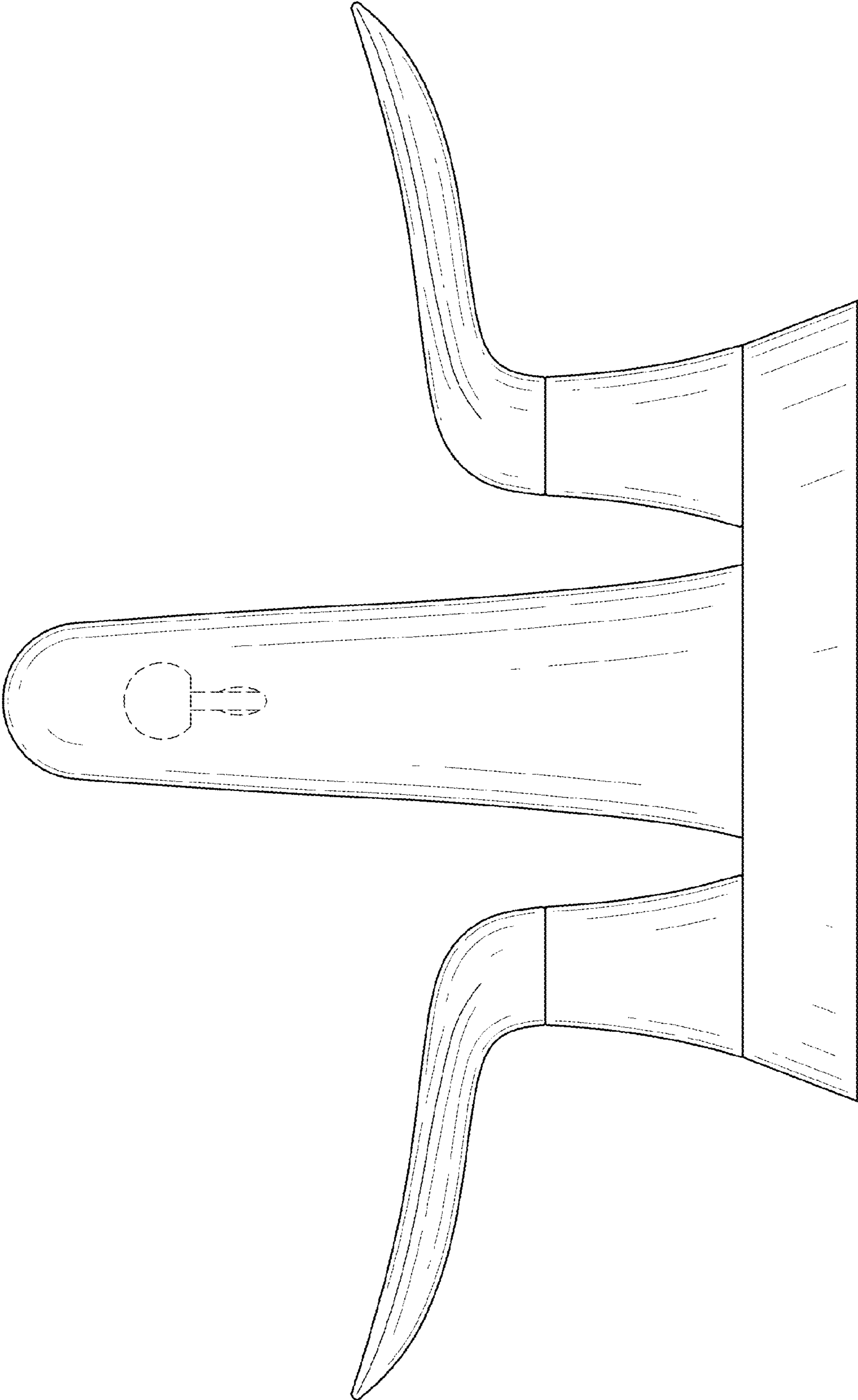


FIG. 2

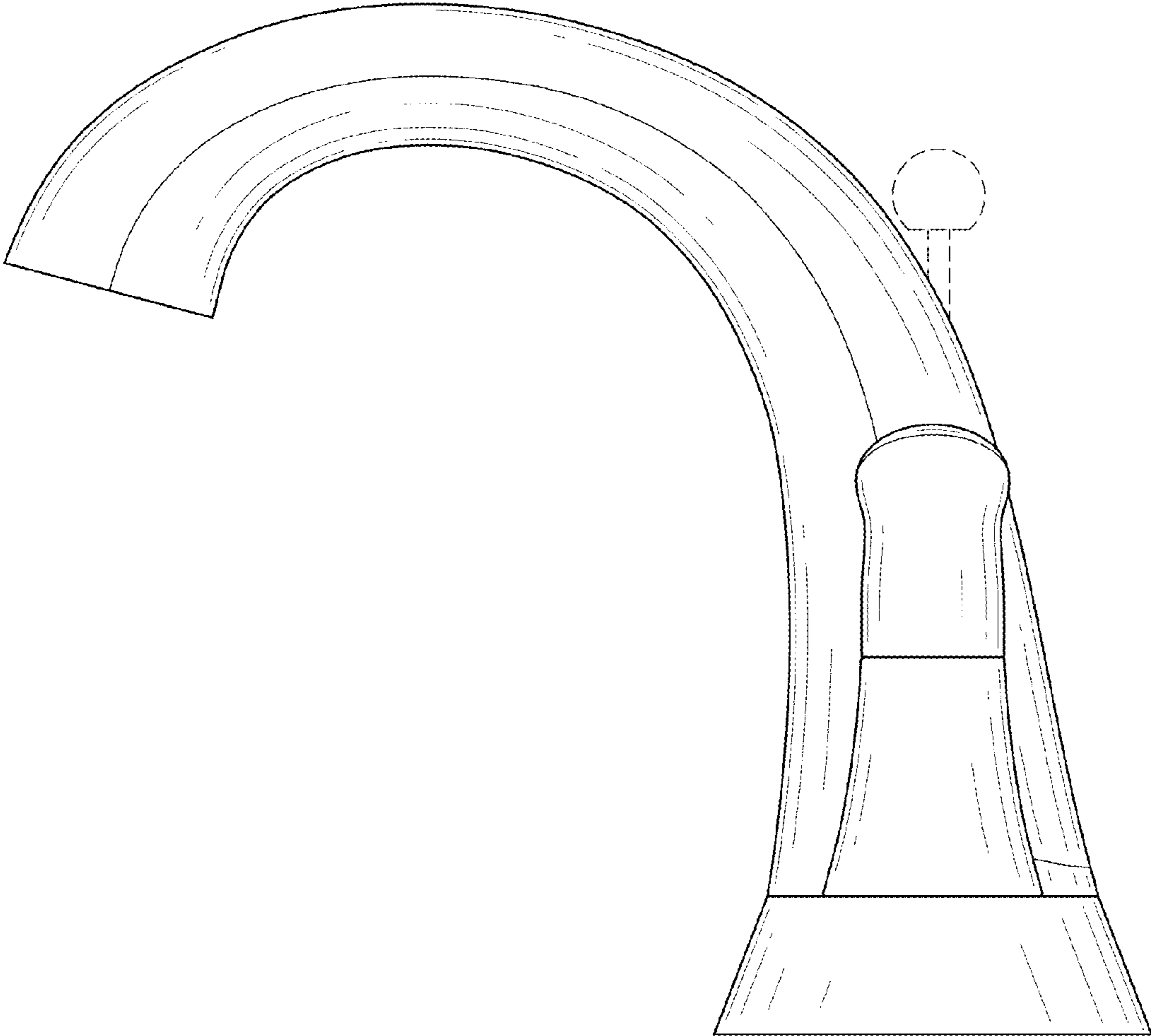


FIG.3

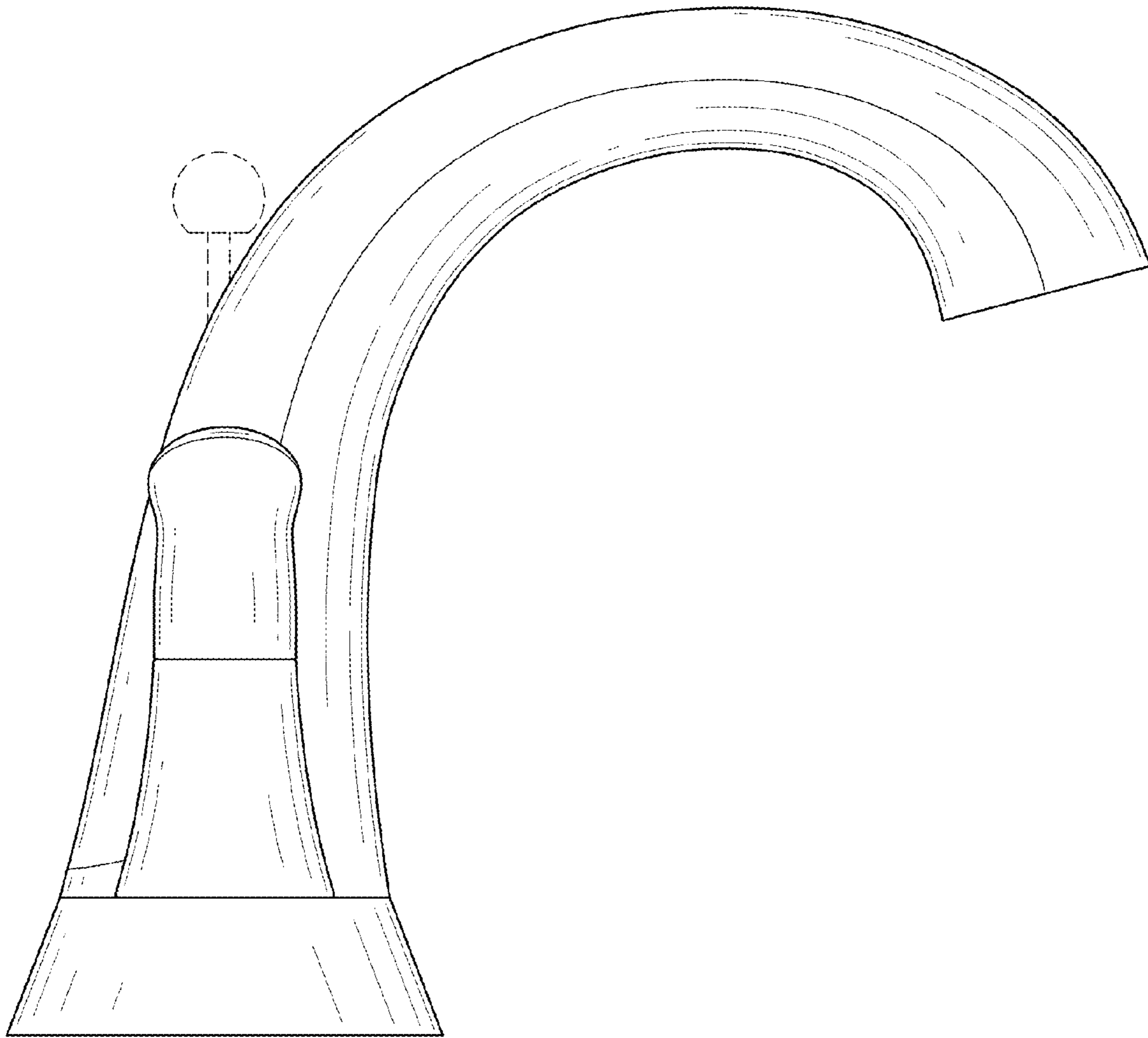


FIG.4

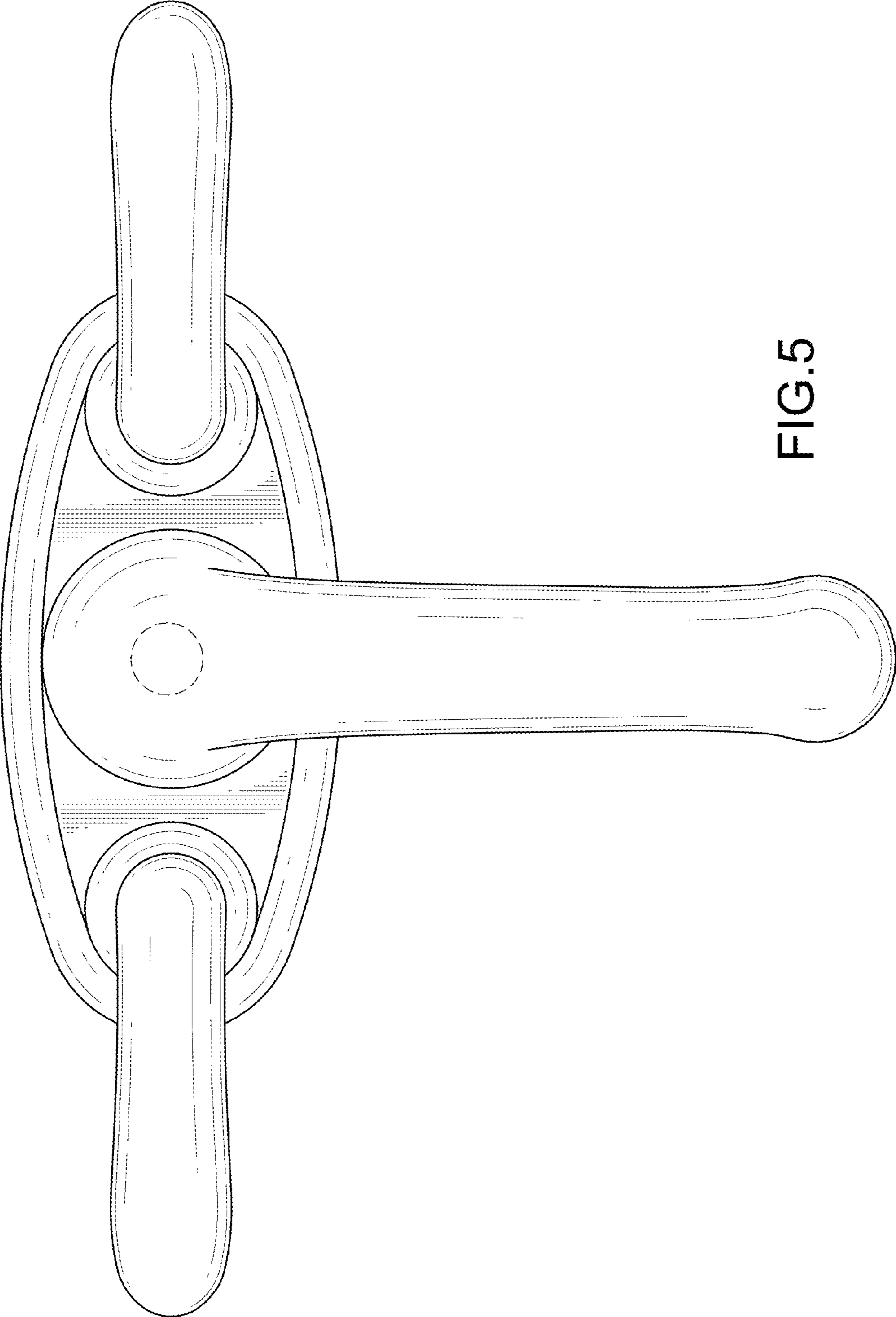


FIG.5



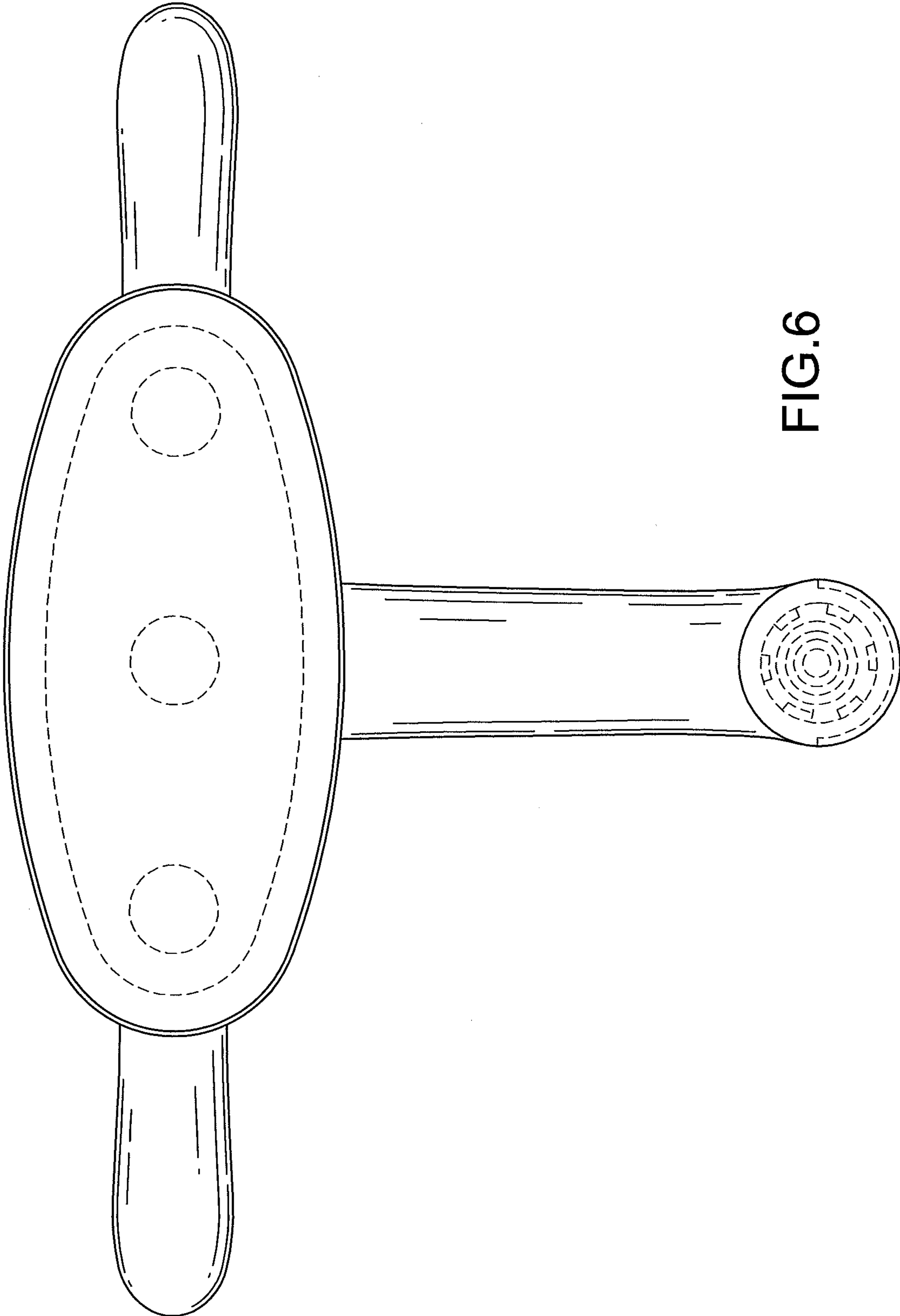


FIG.6

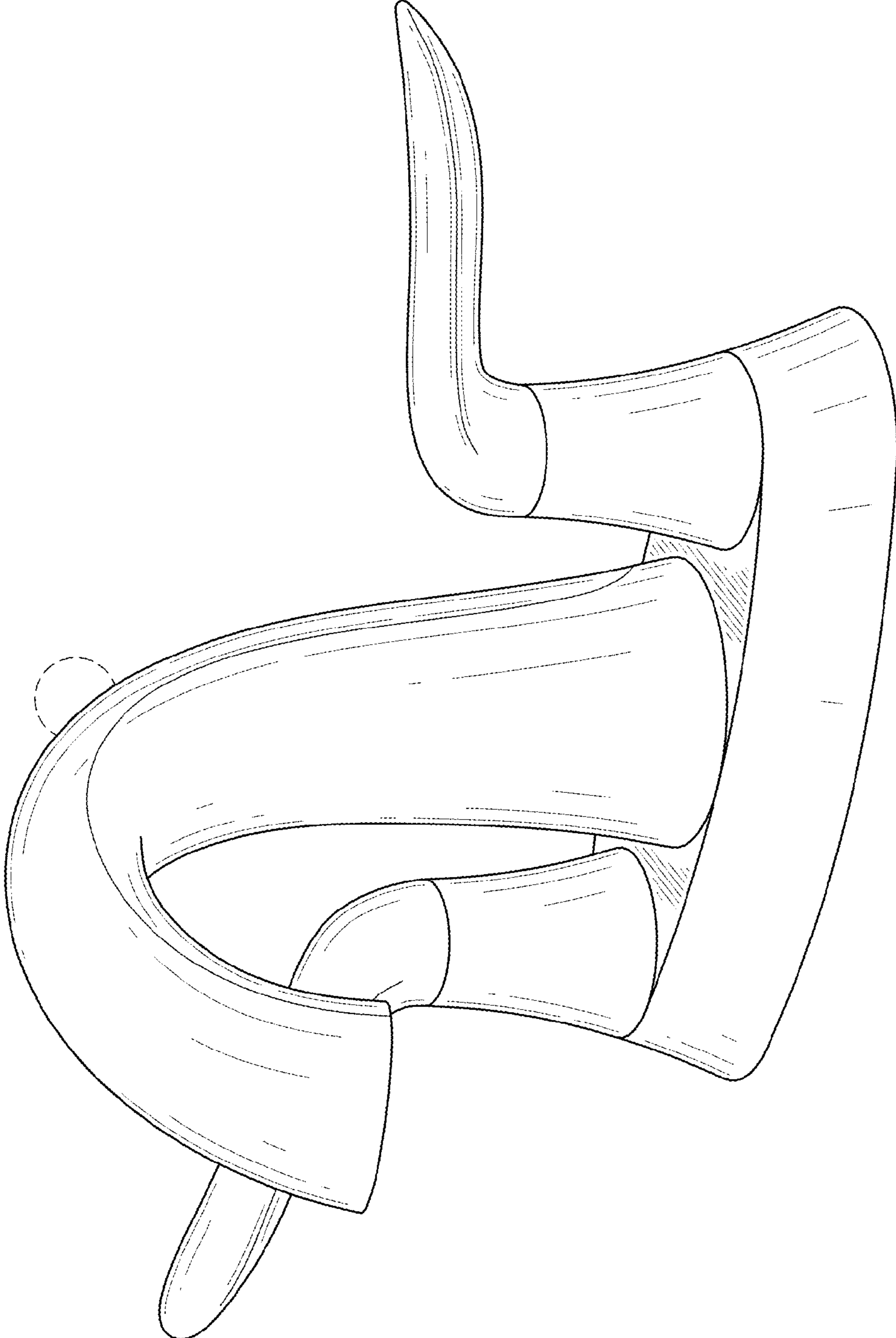


FIG.7