



US00D715899S

(12) **United States Design Patent**
Fukano et al.

(10) **Patent No.:** **US D715,899 S**

(45) **Date of Patent:** **** Oct. 21, 2014**

(54) **ELECTROMAGNETIC VALVE**

(71) Applicants: **Yoshihiro Fukano**, Tsukubamirai (JP);
Makoto Nomura, Tsukubamirai (JP);
Shinya Yamasaki, Tsukubamirai (JP)

(72) Inventors: **Yoshihiro Fukano**, Tsukubamirai (JP);
Makoto Nomura, Tsukubamirai (JP);
Shinya Yamasaki, Tsukubamirai (JP)

(73) Assignee: **SMC Corporation**, Chiyoda-ku, Tokyo (JP)

(**) Term: **14 Years**

(21) Appl. No.: **29/472,213**

(22) Filed: **Nov. 11, 2013**

(30) **Foreign Application Priority Data**

May 20, 2013 (JP) 2013-010965

(51) **LOC (10) Cl.** **23-01**

(52) **U.S. Cl.**
USPC **D23/233**

(58) **Field of Classification Search**
USPC D23/233-237, 244-249; D15/5, 7, 199;
137/554, 557, 560, 882, 884, 269, 271,
137/343, 625.64; 251/15, 129.04, 130, 219,
251/331, 596.16, 597.13, 30.01; 4/304
See application file for complete search history.

(56) **References Cited**

U.S. PATENT DOCUMENTS

D524,910 S * 7/2006 Matsumoto et al. D23/233
D544,578 S * 6/2007 Matsumoto et al. D23/233

D544,581 S * 6/2007 Matsumoto et al. D23/233
D546,420 S * 7/2007 Matsumoto et al. D23/233
D563,512 S * 3/2008 Mita et al. D23/233
D563,513 S * 3/2008 Mita et al. D23/233
D563,516 S * 3/2008 Mita et al. D23/233
D564,072 S * 3/2008 Yoshimura et al. D23/233
D564,629 S * 3/2008 Miyazoe et al. D23/233
D572,344 S * 7/2008 Kato D23/233
D623,270 S * 9/2010 Fukano et al. D23/233
D639,393 S * 6/2011 Hayashi D23/233
D653,307 S * 1/2012 Senba D23/233

* cited by examiner

Primary Examiner — Cynthia Ramirez

(74) *Attorney, Agent, or Firm* — Yokoi & Co., U.S.A., Inc.;
Toshiyuki Yokoi

(57) **CLAIM**

The ornamental design for an electromagnetic valve, as shown and described.

DESCRIPTION

FIG. 1 shows a front view of an electromagnetic valve showing our new design;
FIG. 2 shows a rear view thereof;
FIG. 3 shows a right side view thereof;
FIG. 4 shows a left side view thereof;
FIG. 5 shows a top view thereof;
FIG. 6 shows a bottom view thereof;
FIG. 7 shows a top, front and right side perspective view thereof; and,
FIG. 8 shows a top, rear and left side perspective view thereof.
The portions of the design shown in broken lines in FIGS. 1-8 are for the purpose of illustrating the environment only and form no part of the claimed design.

1 Claim, 5 Drawing Sheets

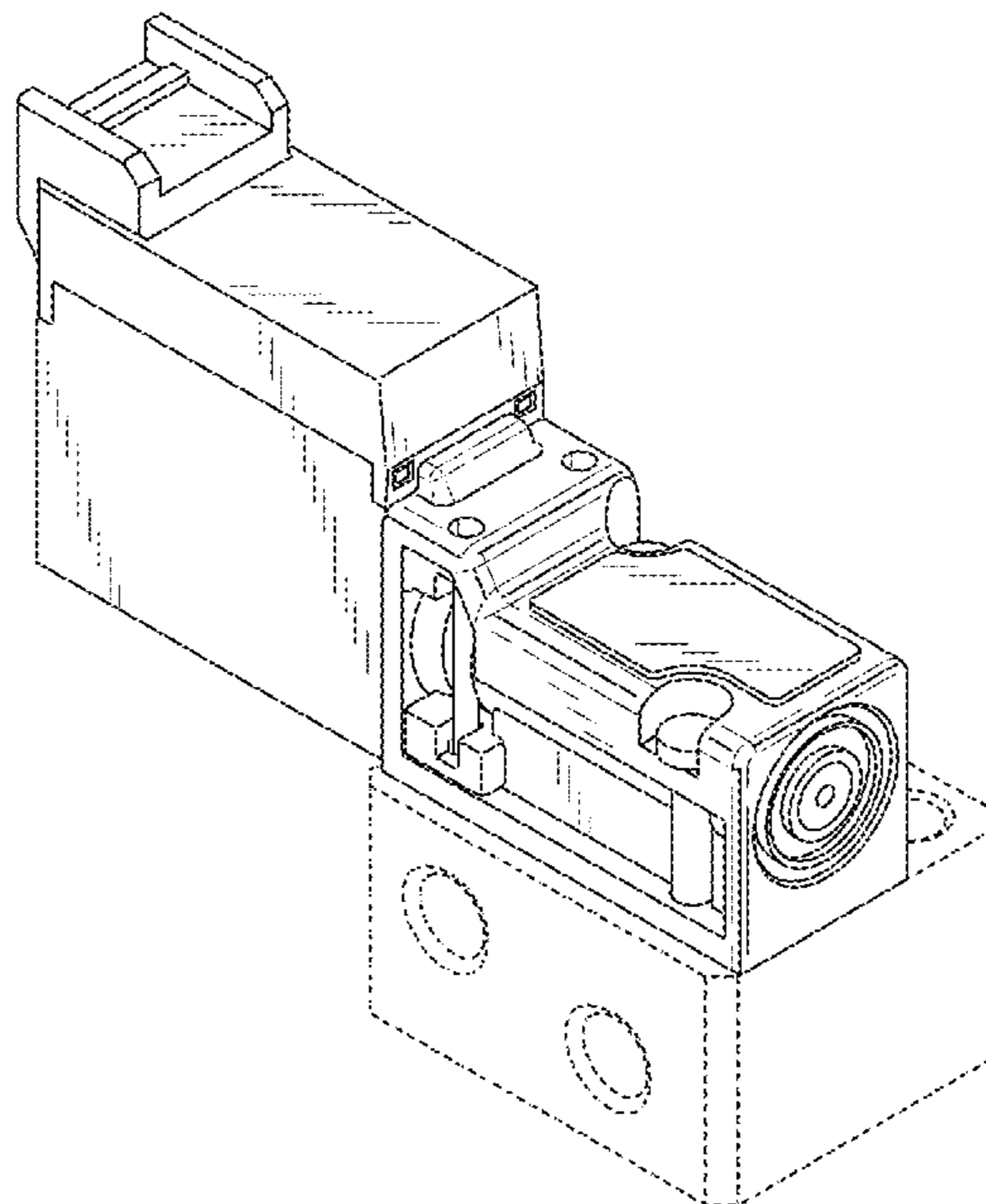


FIG. 1

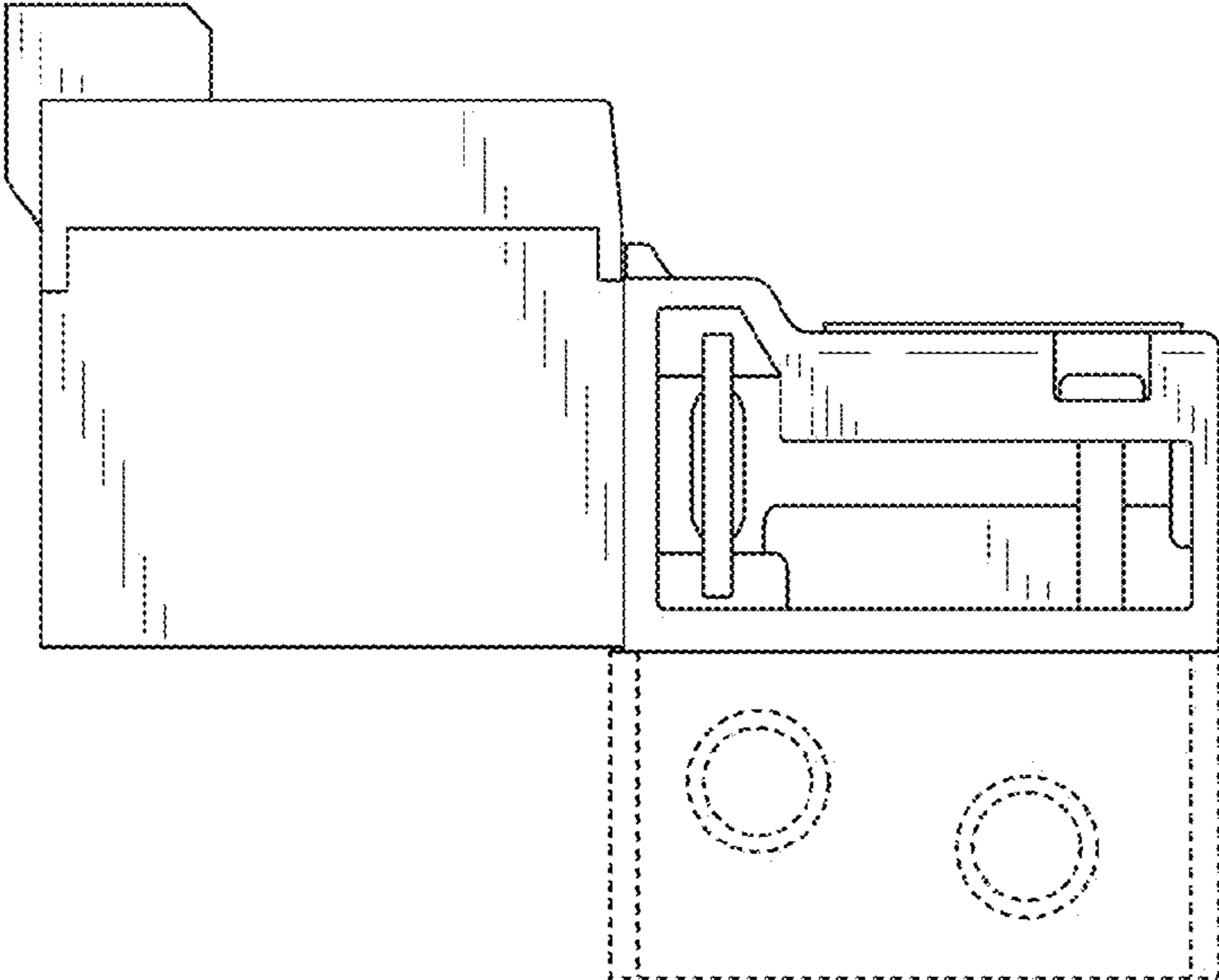


FIG. 2

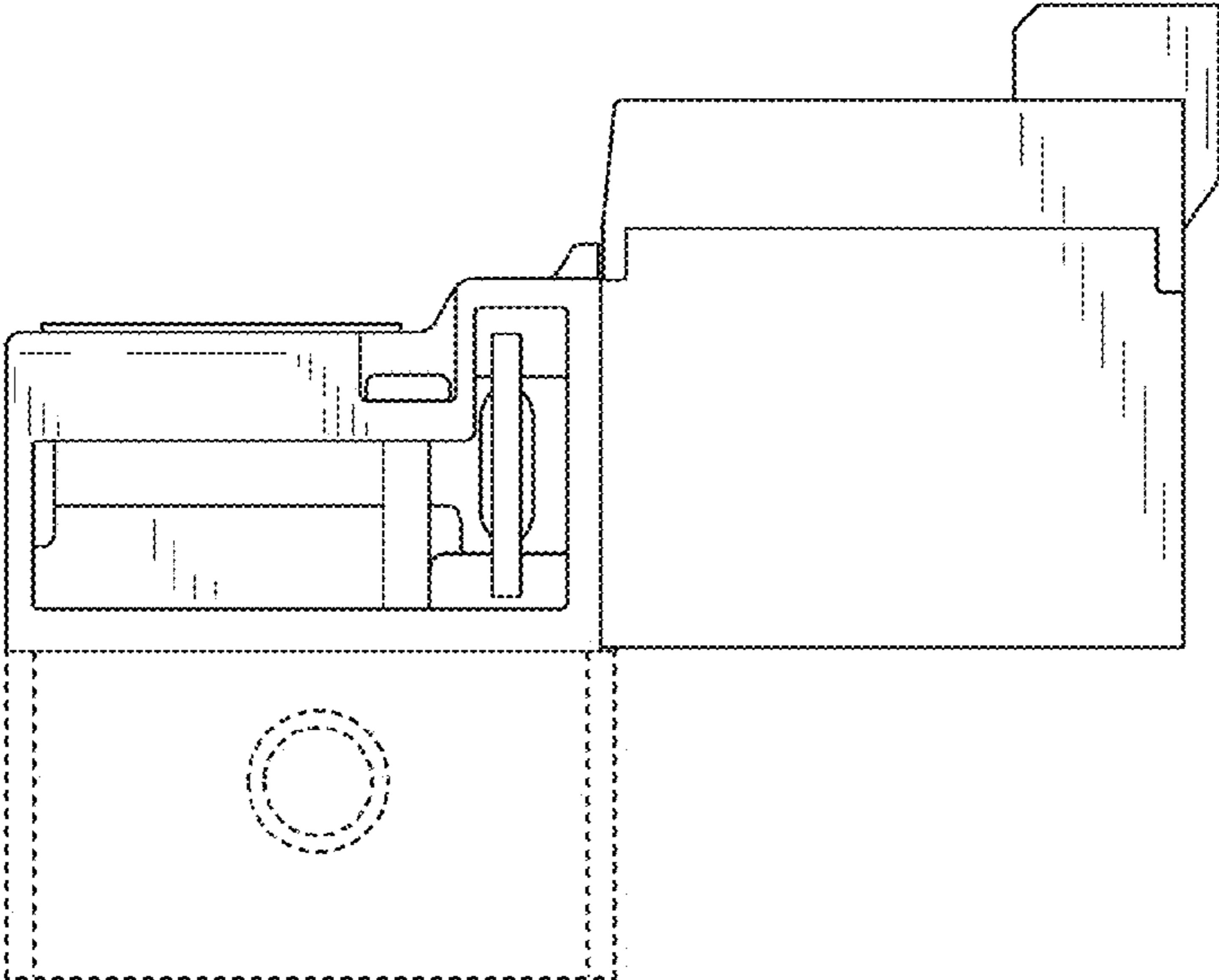


FIG. 3

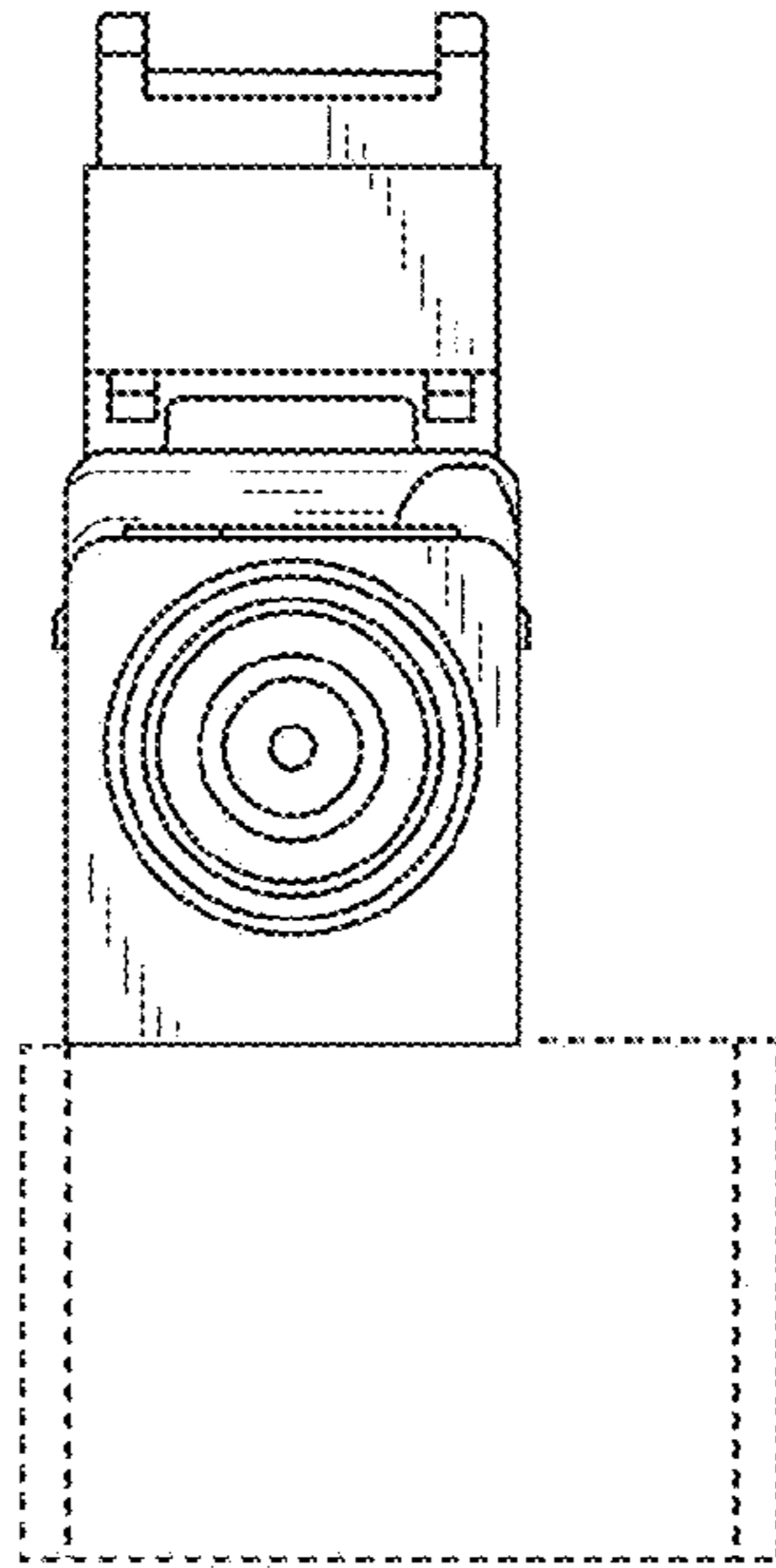


FIG. 4

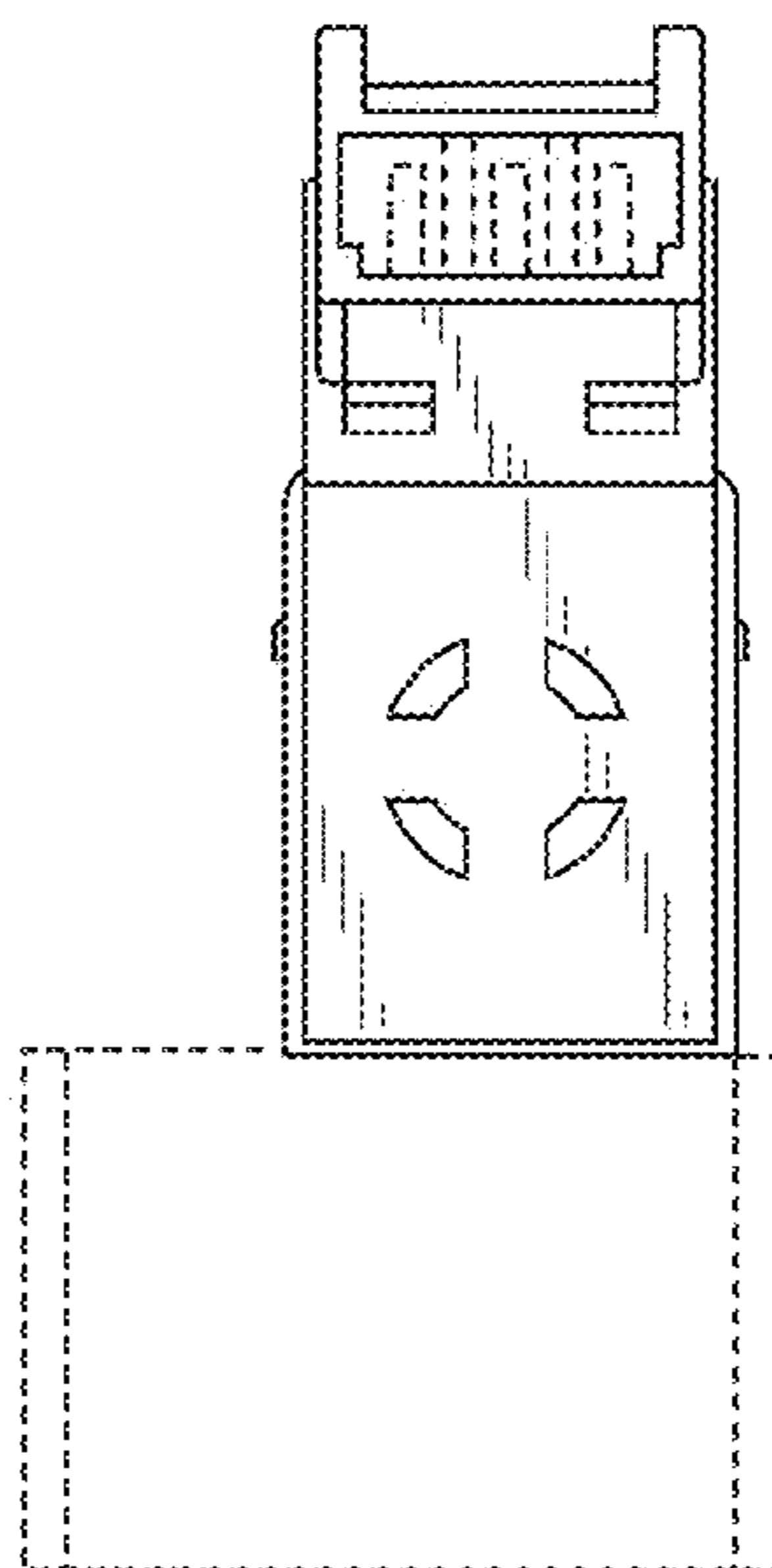


FIG. 5

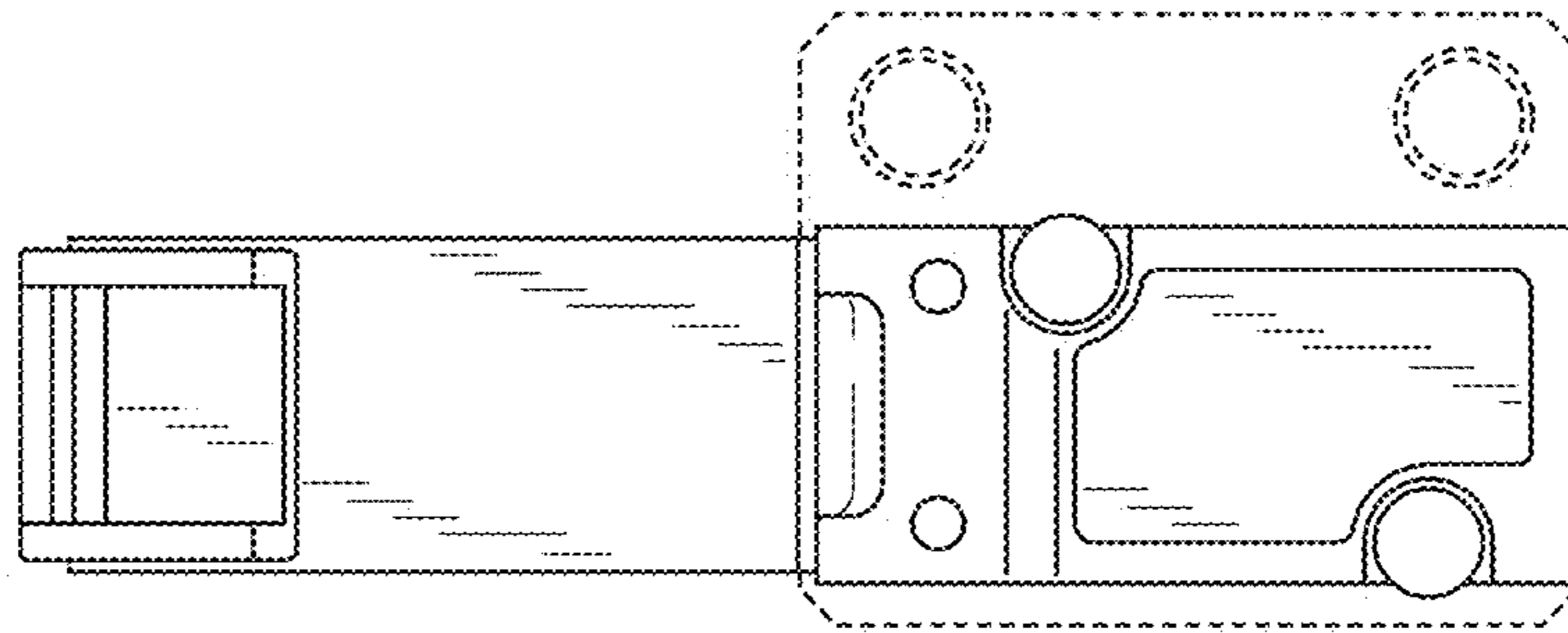


FIG. 6

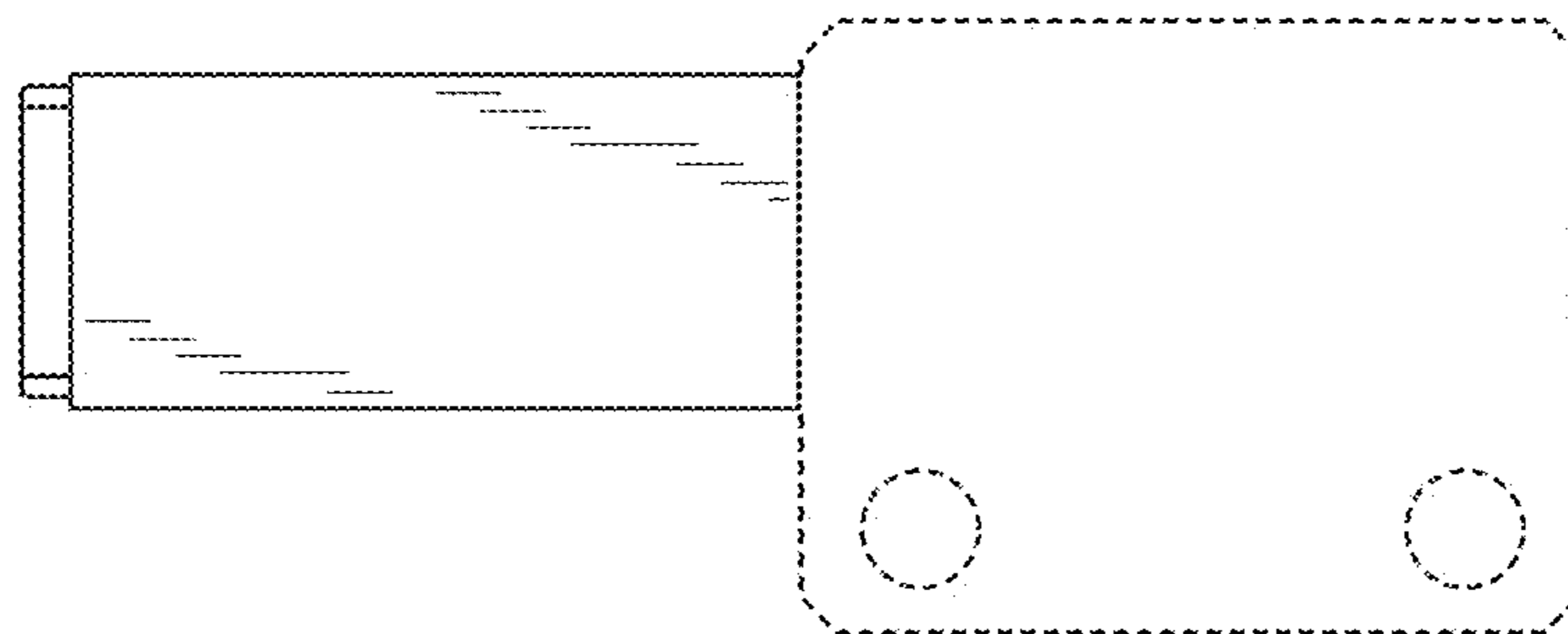


FIG. 7

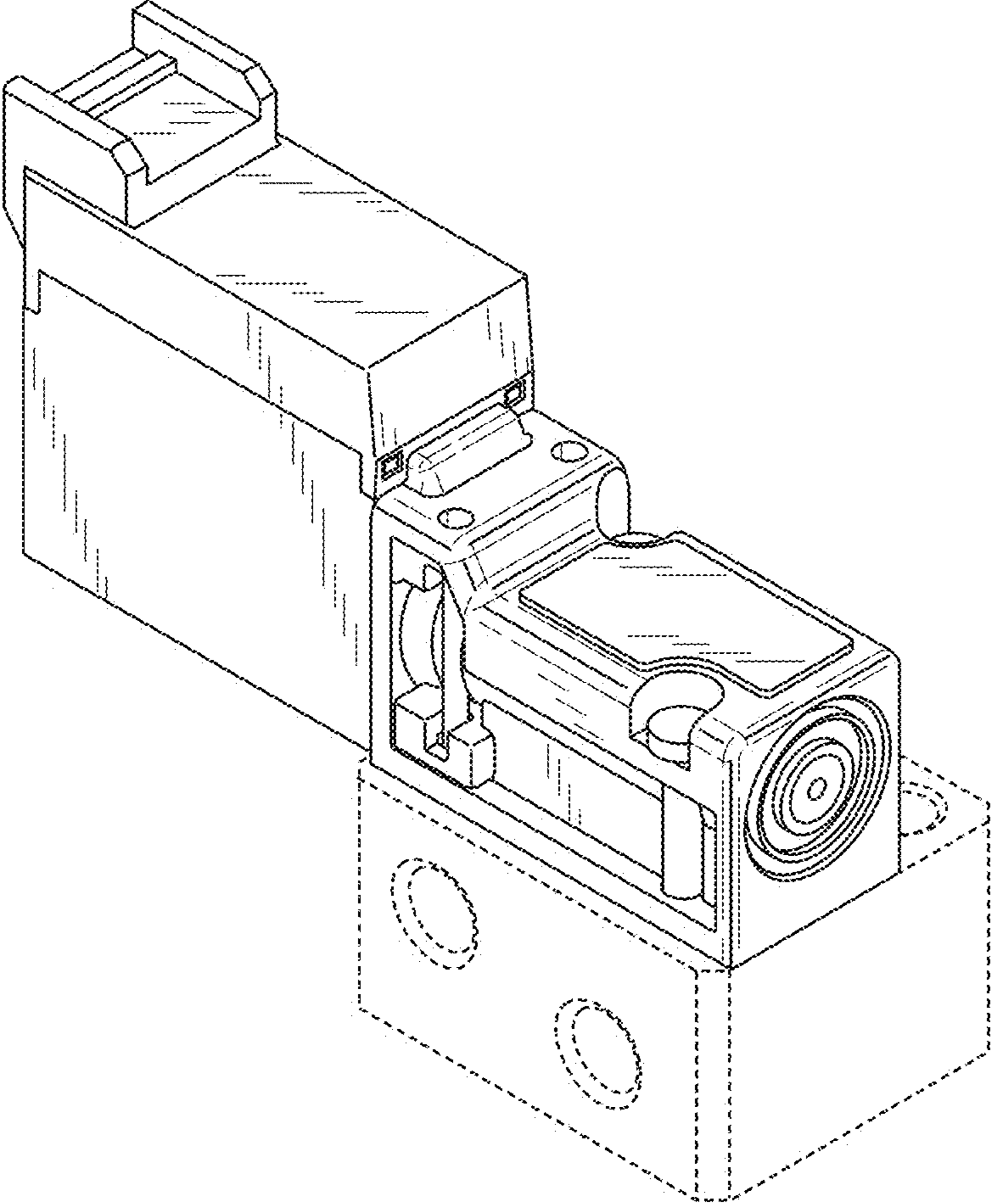


FIG. 8

