



US00D715898S

(12) **United States Design Patent**  
**Chen**

(10) **Patent No.:** **US D715,898 S**

(45) **Date of Patent:** **\*\* Oct. 21, 2014**

(54) **AIR VALVE**

(71) Applicant: **Kattoe Co., Ltd.**, Taichung (TW)

(72) Inventor: **Wei Ling Chen**, Taichung (TW)

(73) Assignee: **Kattoe Co., Ltd.**, Taichung (TW)

(\*\*) Term: **14 Years**

(21) Appl. No.: **29/470,051**

(22) Filed: **Oct. 17, 2013**

(51) **LOC (10) Cl.** ..... **23-01**

(52) **U.S. Cl.**

USPC ..... **D23/233**

(58) **Field of Classification Search**

CPC ..... F16K 47/08; F16K 47/04; F16K 1/34;  
F16K 3/24; F16K 3/34; F16K 3/246; F16K  
31/402; F16K 31/408; F16K 31/40; F16K  
31/42; F16K 31/0655; F16K 31/34; F16K  
31/383; F16K 31/406; F15C 5/00

USPC ..... D23/233-237, 244-249; 137/625.33,  
137/625.37; 251/30.01, 43, 120, 126,  
251/129.07, 282, 324, 325

See application file for complete search history.

(56) **References Cited**

**U.S. PATENT DOCUMENTS**

D422,058 S \* 3/2000 Meredith ..... D23/233  
D470,570 S \* 2/2003 Wass ..... D23/233

D482,761 S \* 11/2003 Gotoh et al. .... D23/262  
7,028,976 B2 \* 4/2006 Bachmann et al. .... 251/126  
D576,704 S \* 9/2008 Gilcher ..... D23/233  
D599,434 S \* 9/2009 Stenberg ..... D23/233  
D600,319 S \* 9/2009 Downing ..... D23/233  
D682,989 S \* 5/2013 Eagle ..... D23/233  
2007/0175908 A1 \* 8/2007 Siri ..... 220/714  
2008/0223946 A1 \* 9/2008 Rho ..... 237/8 A

\* cited by examiner

*Primary Examiner* — Cynthia Ramirez

(74) *Attorney, Agent, or Firm* — Muncy, Geissler, Olds & Lowe, P.C.

(57) **CLAIM**

The ornamental design for “air valve,” as shown and described.

**DESCRIPTION**

FIG. 1 is a perspective view of “air valve” showing my new design thereof;

FIG. 2 is a front side elevation view thereof;

FIG. 3 is a rear perspective view hereof;

FIG. 4 is a left side elevation view thereof;

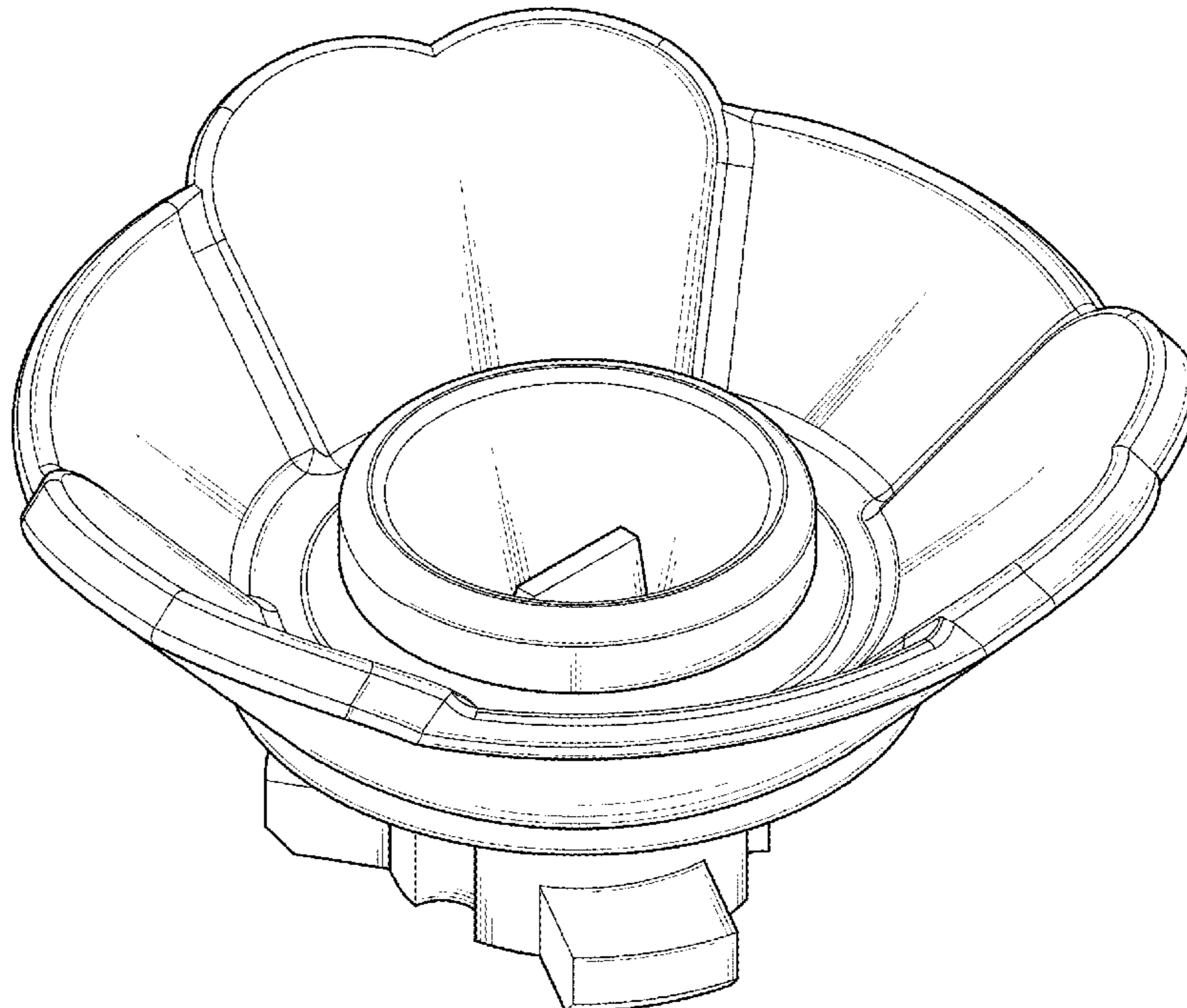
FIG. 5 shows that a right side view thereof;

FIG. 6 is a top view thereof;

FIG. 7 is a bottom plan view thereof; and,

FIG. 8 is a perspective view in another direction thereof.

**1 Claim, 8 Drawing Sheets**



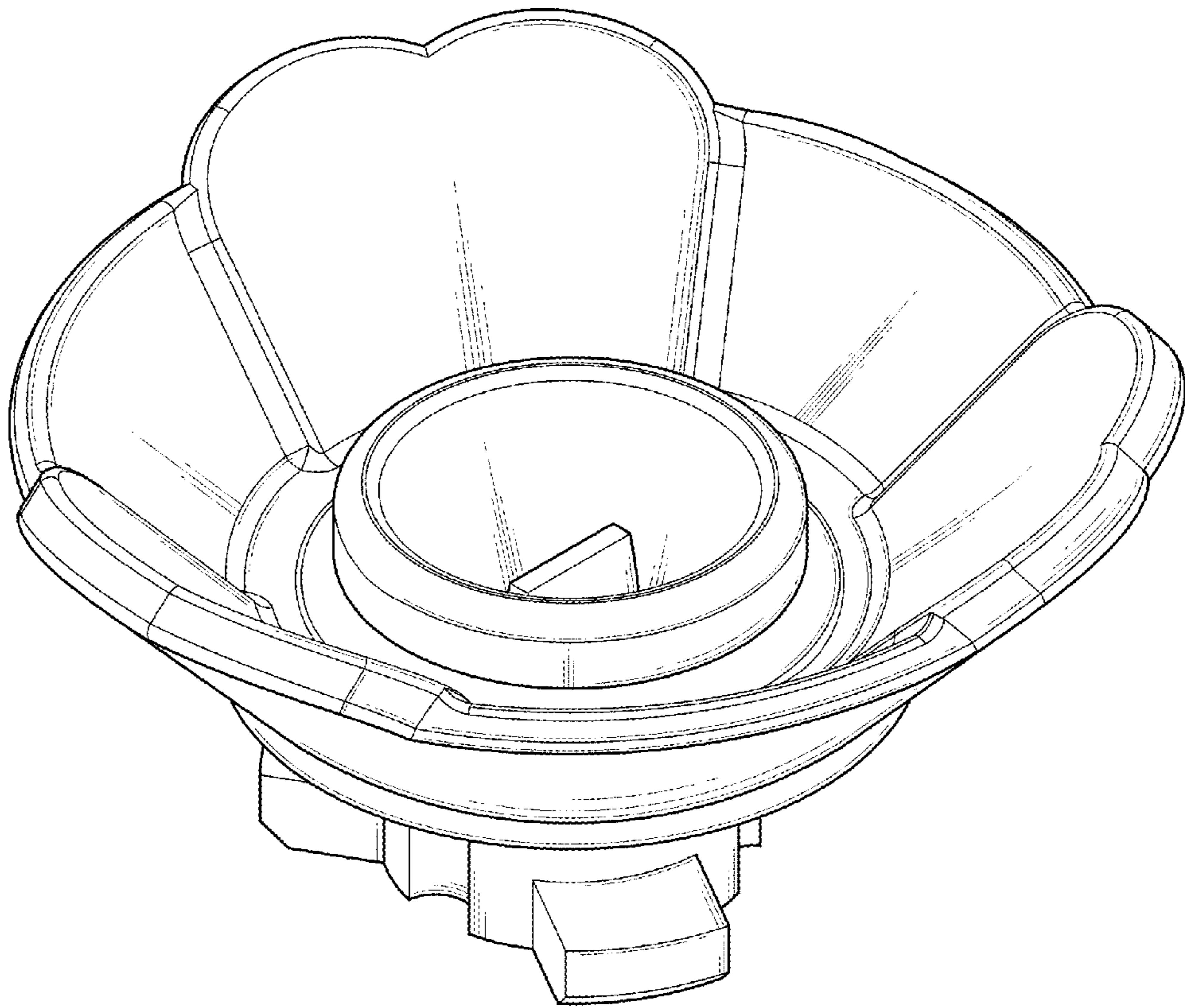


Fig . 1

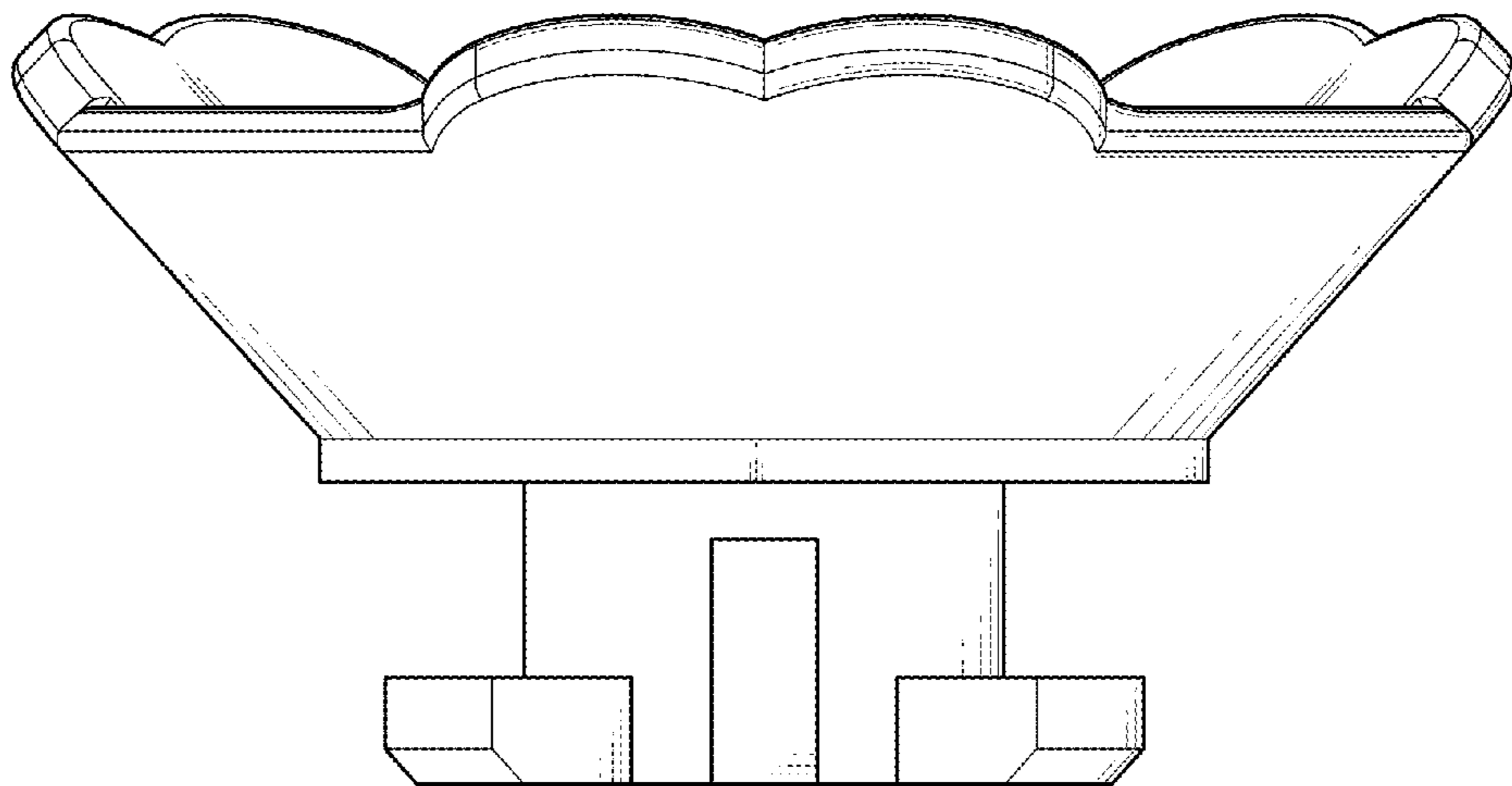


Fig . 2

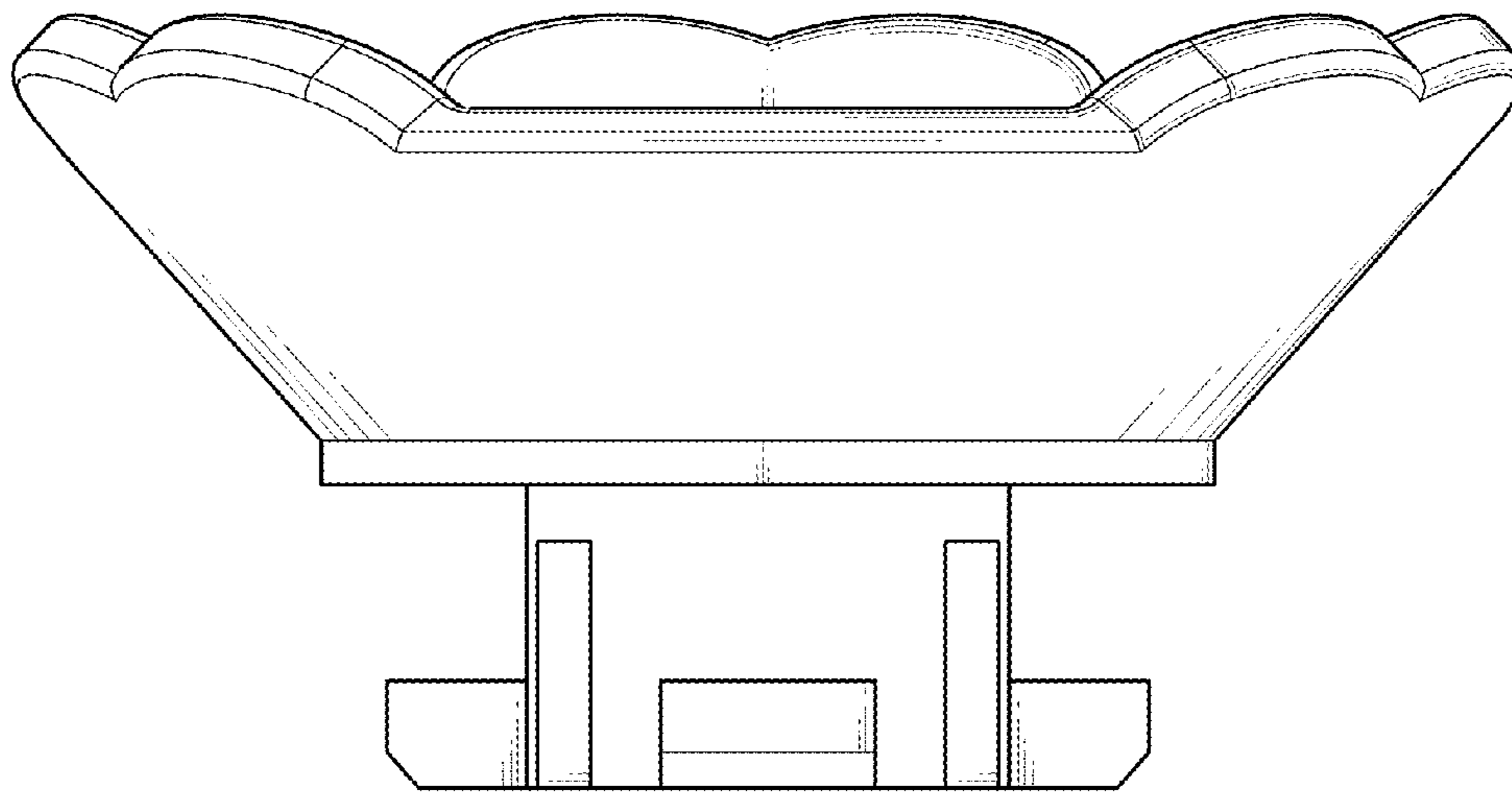


Fig . 3

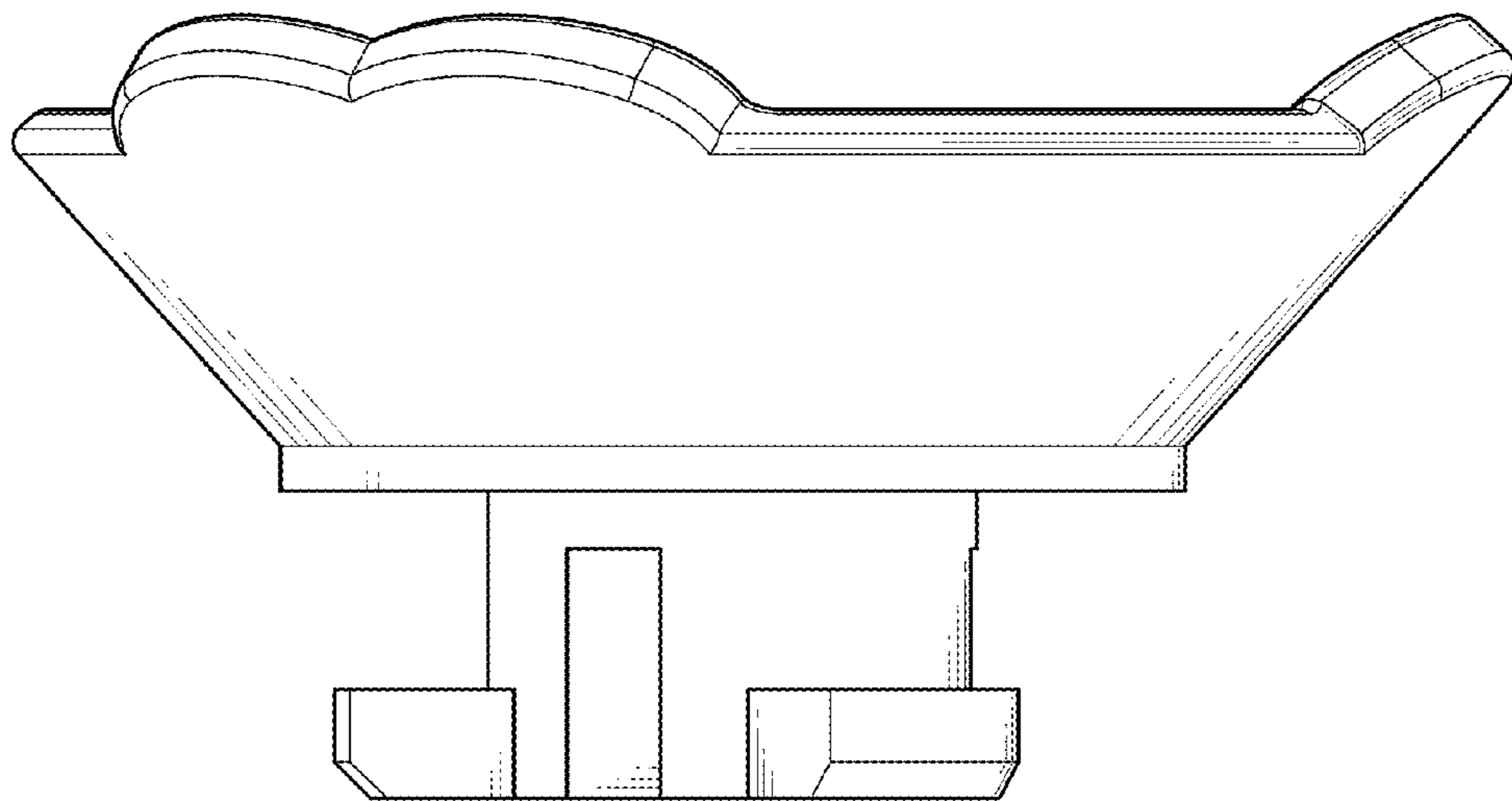


Fig . 4

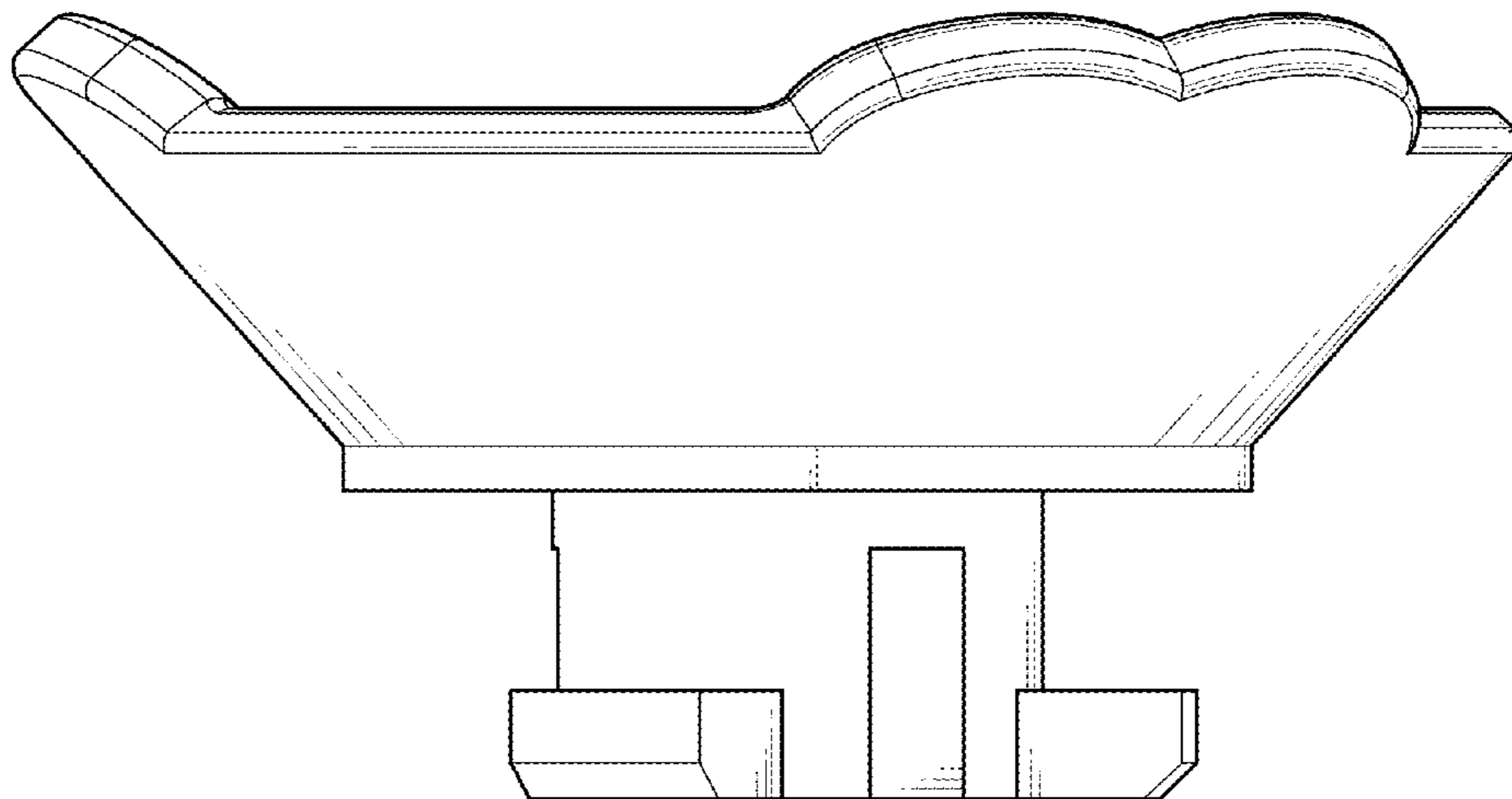


Fig . 5

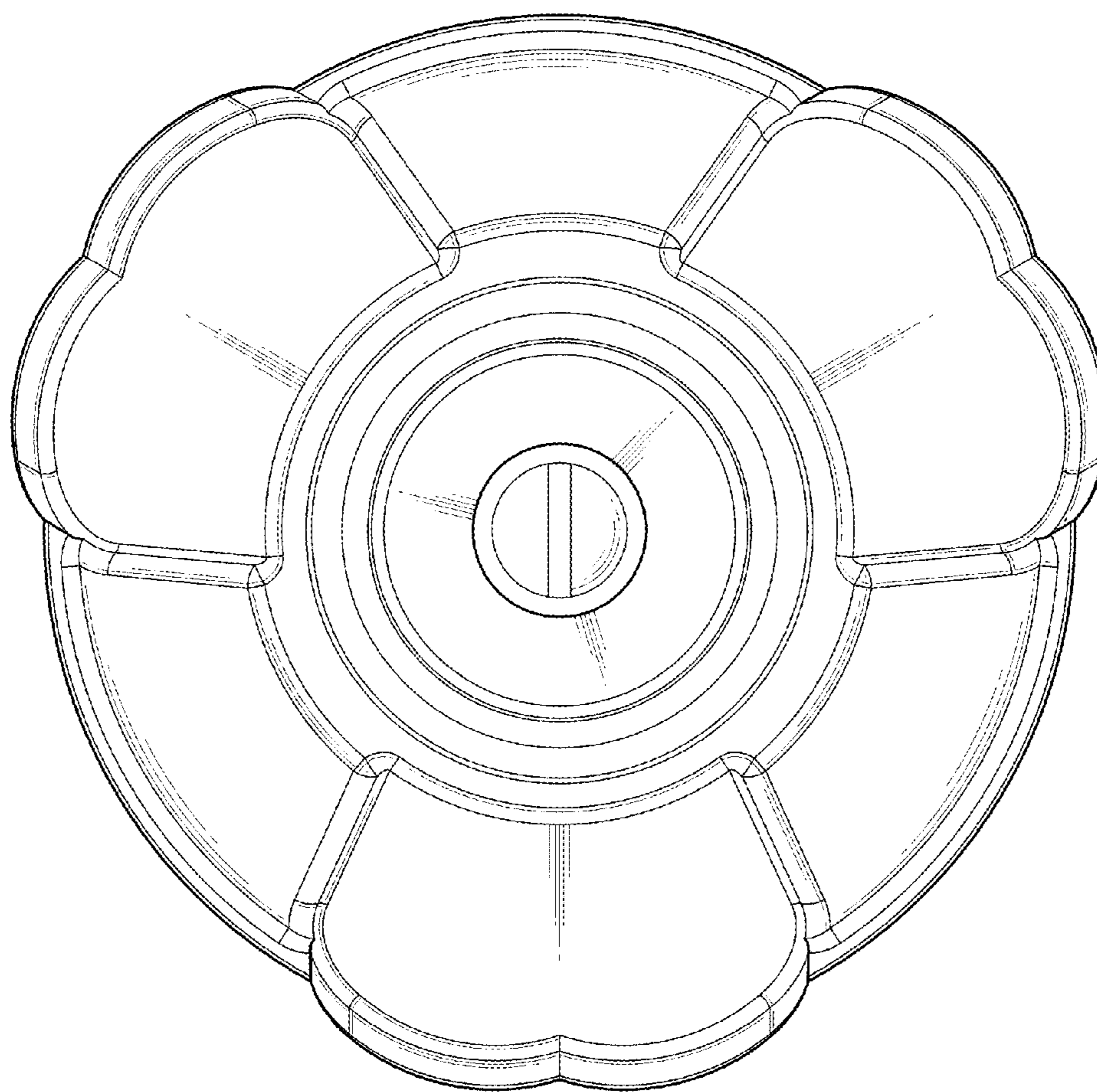


Fig . 6

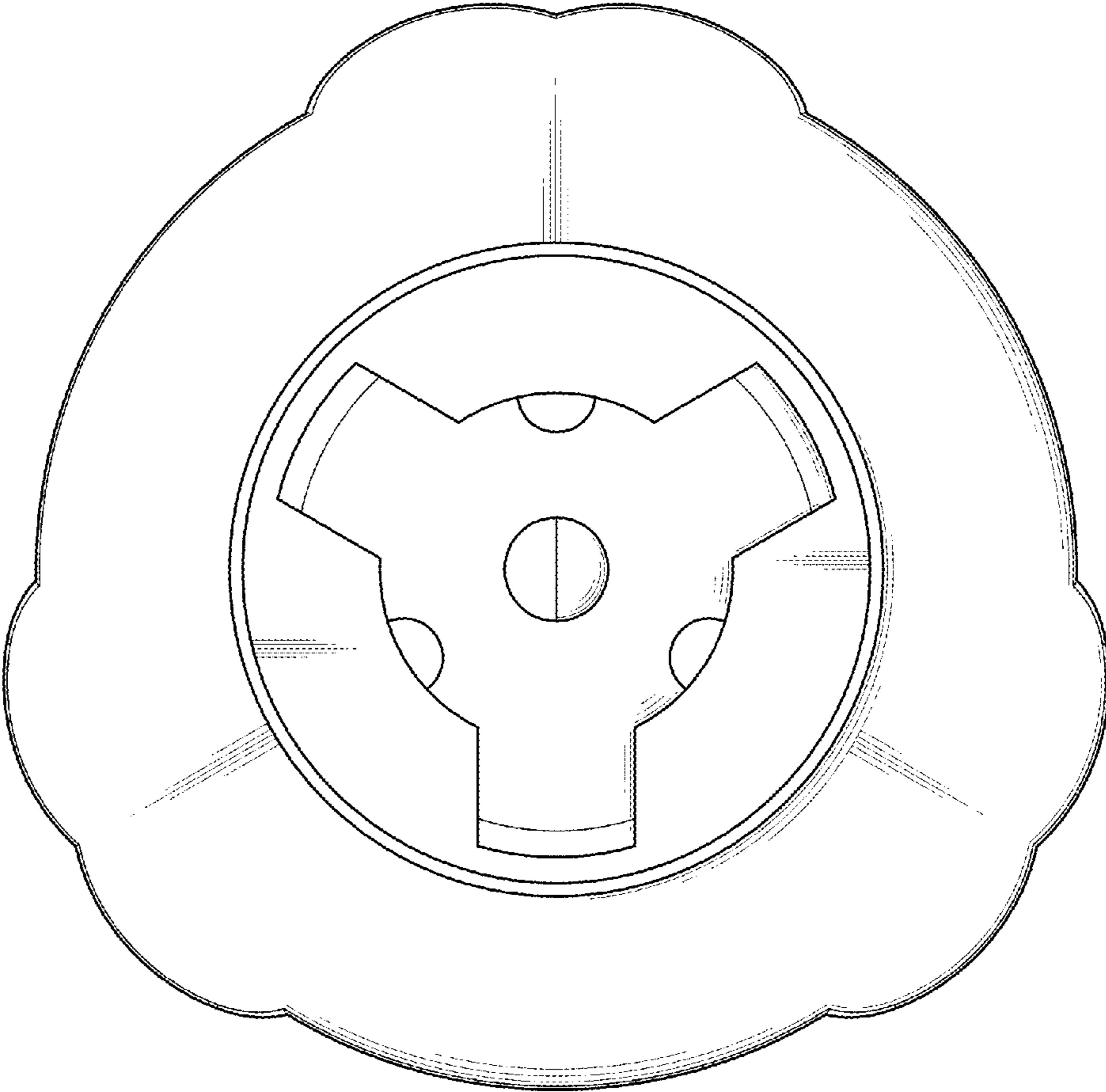


Fig . 7



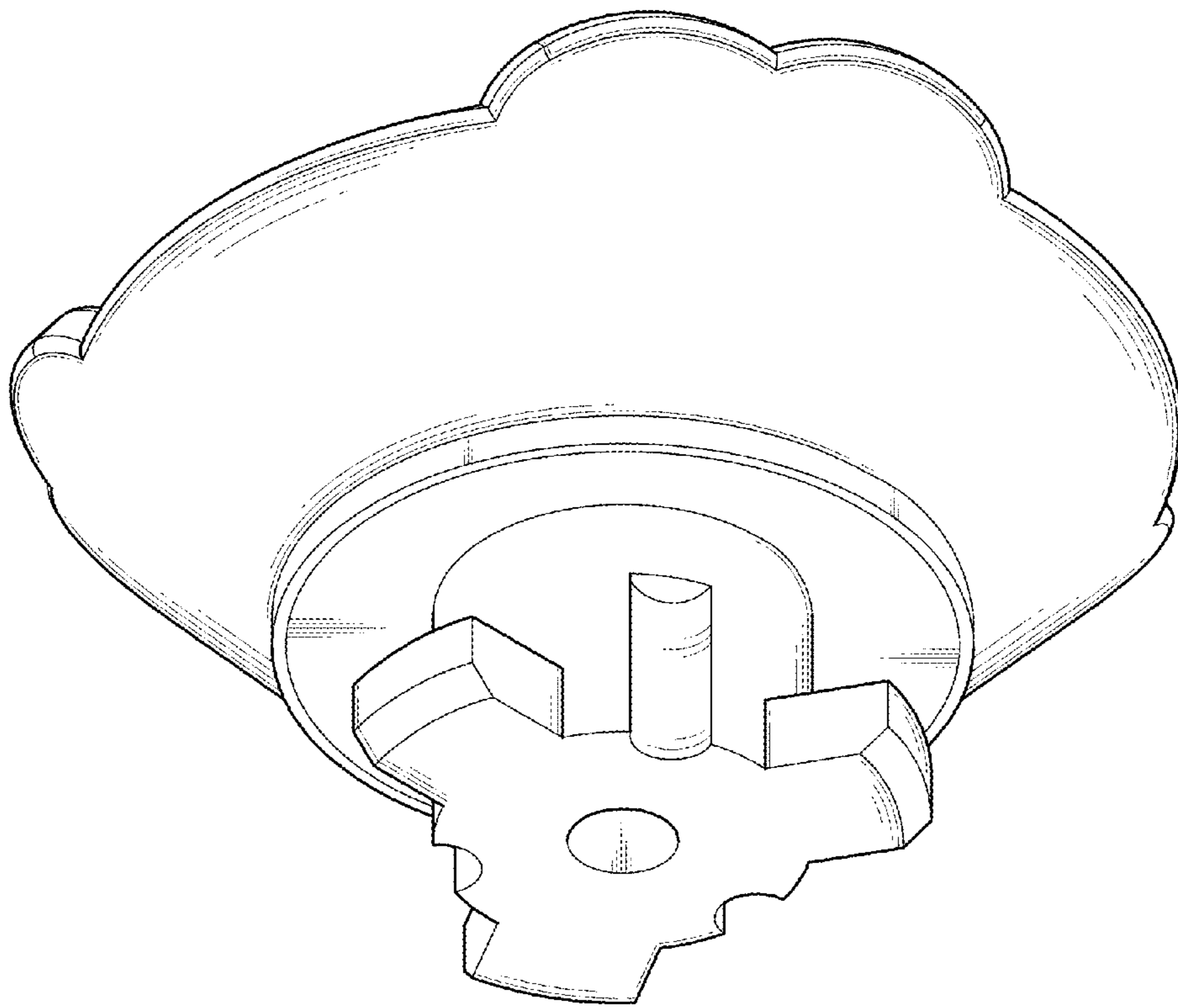


Fig . 8