



US00D715895S

(12) **United States Design Patent**
Wang

(10) **Patent No.:** **US D715,895 S**

(45) **Date of Patent:** **** Oct. 21, 2014**

(54) **COLLAPSIBLE LIQUID SPRINKLER**

(71) Applicant: **Xiaoyong Wang**, TaiZhou (CN)

(72) Inventor: **Xiaoyong Wang**, TaiZhou (CN)

(**) Term: **14 Years**

(21) Appl. No.: **29/460,624**

(22) Filed: **Jul. 12, 2013**

(30) **Foreign Application Priority Data**

May 17, 2013 (CN) 2013 3 0187645

(51) **LOC (10) Cl.** **23-01**

(52) **U.S. Cl.**
USPC **D23/212**

(58) **Field of Classification Search**
USPC D23/212, 213, 225; 220/666, 667;
239/375-377; 222/465.1

See application file for complete search history.

(56) **References Cited**

U.S. PATENT DOCUMENTS

D293,017 S *	12/1987	Janowitz	D23/212
4,911,562 A *	3/1990	Mazzeschi	383/16
D314,810 S *	2/1991	Carlson	D23/212
D323,204 S *	1/1992	Igarashi	D23/212
5,158,216 A *	10/1992	Viani	222/465.1
5,174,458 A *	12/1992	Segati	215/383
D486,553 S *	2/2004	Tremblay	D23/212
7,237,729 B2 *	7/2007	Chen	239/328

D634,400 S *	3/2011	Tremblay et al.	D23/212
D635,642 S *	4/2011	Hung	D23/212
8,485,388 B2 *	7/2013	Tuan	220/666

* cited by examiner

Primary Examiner — Robin V Webster

(74) *Attorney, Agent, or Firm* — Michael D. Eisenberg;
Jeanette Meng Nakagawa

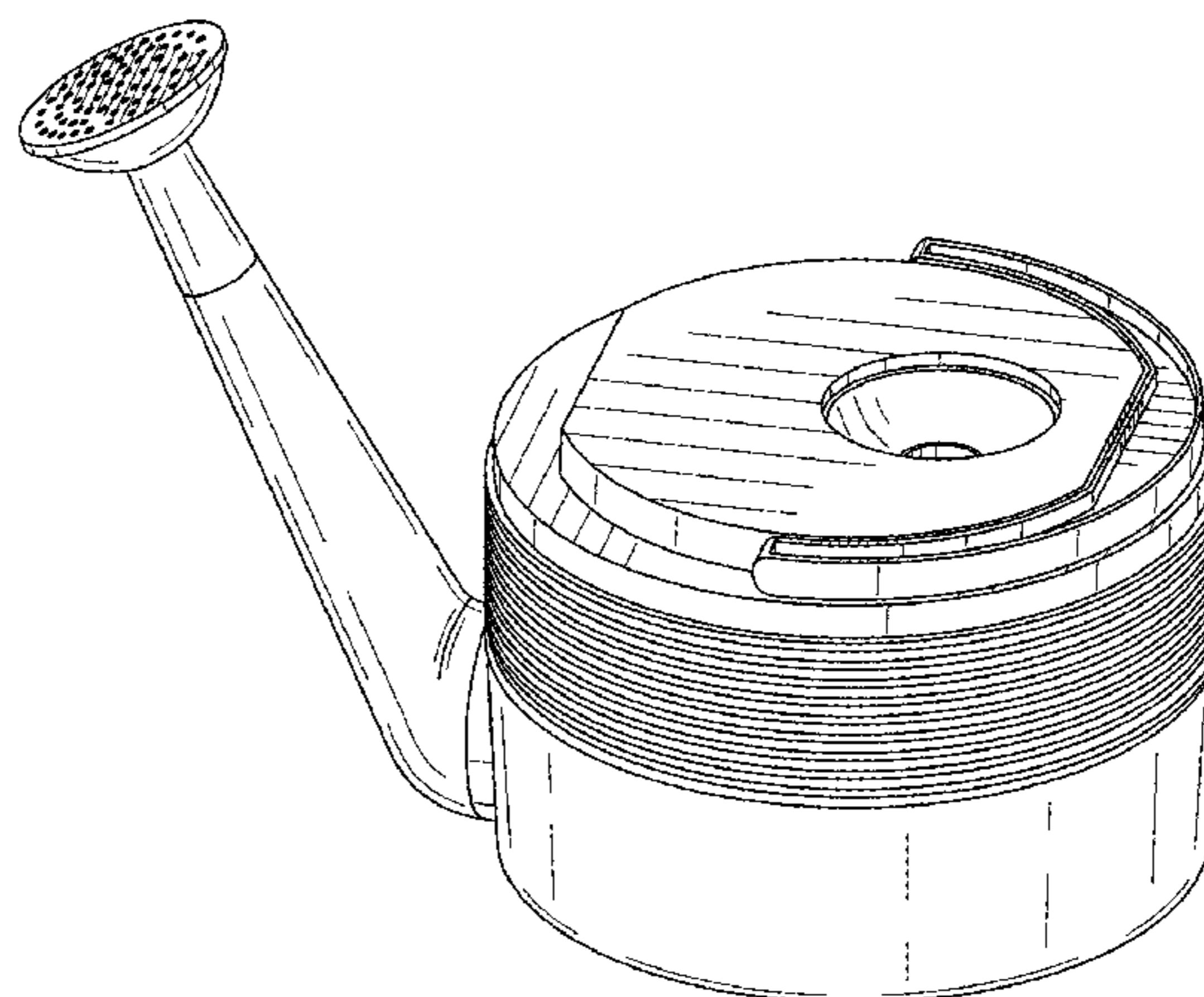
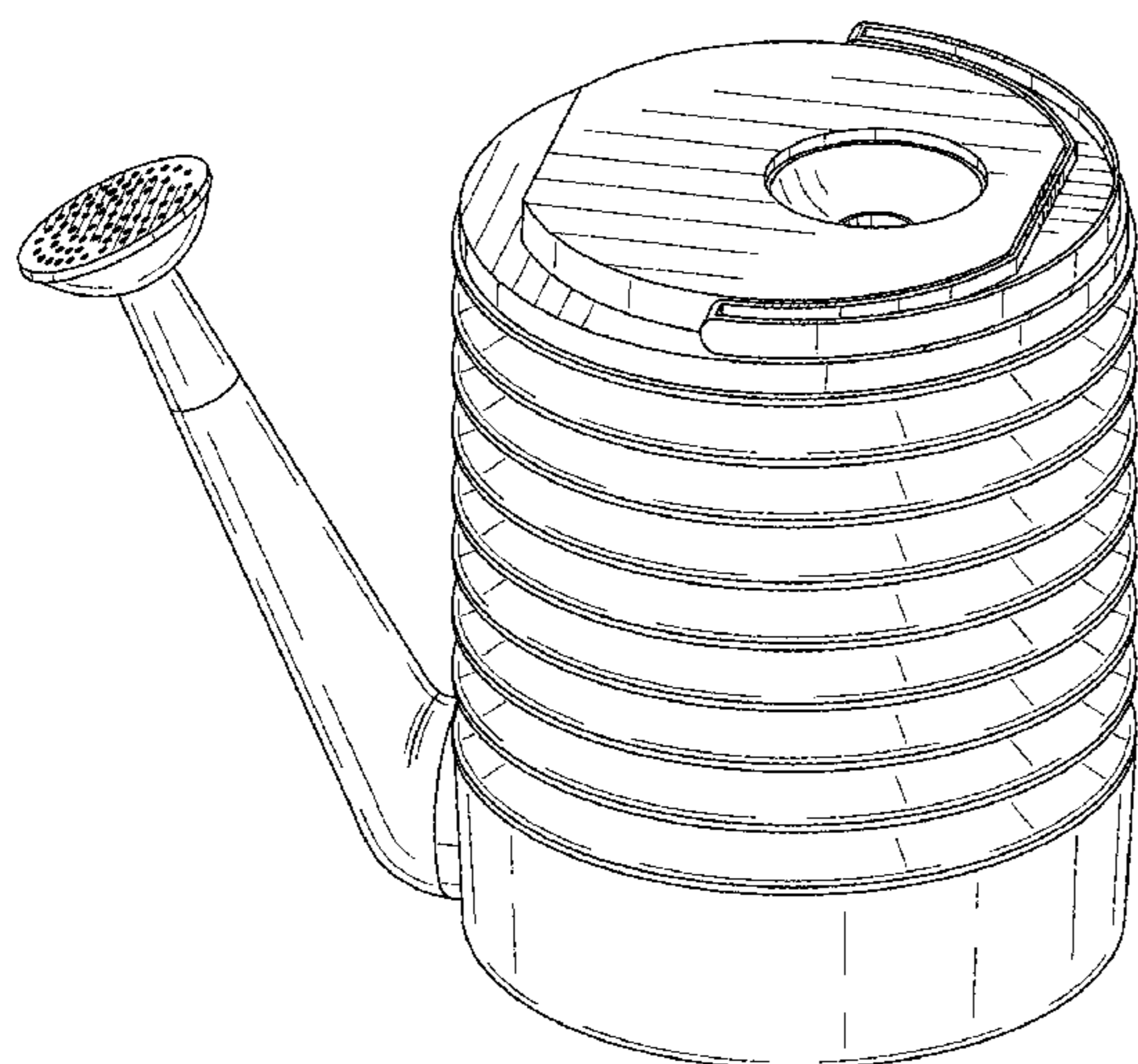
(57) **CLAIM**

The ornamental design for a collapsible liquid sprinkler, as shown and described.

DESCRIPTION

FIG. 1 is a perspective view from above of a collapsible liquid sprinkler showing my new design;
 FIG. 2 is a right side view thereof;
 FIG. 3 is a front view thereof;
 FIG. 4 is a left side view thereof;
 FIG. 5 is a back side view thereof;
 FIG. 6 is a top view thereof;
 FIG. 7 is a bottom view thereof;
 FIG. 8 is a perspective view from above showing the collapsible liquid sprinkler in a collapsed mode;
 FIG. 9 is a perspective view from above showing the collapsible liquid sprinkler with its spout disassembled, and in a collapsed and closed mode; and,
 FIG. 10 is a perspective view from above showing the collapsible liquid sprinkler with its spout disassembled, and in a collapsed and open mode with its spout disposed inside of its cavity.

1 Claim, 6 Drawing Sheets



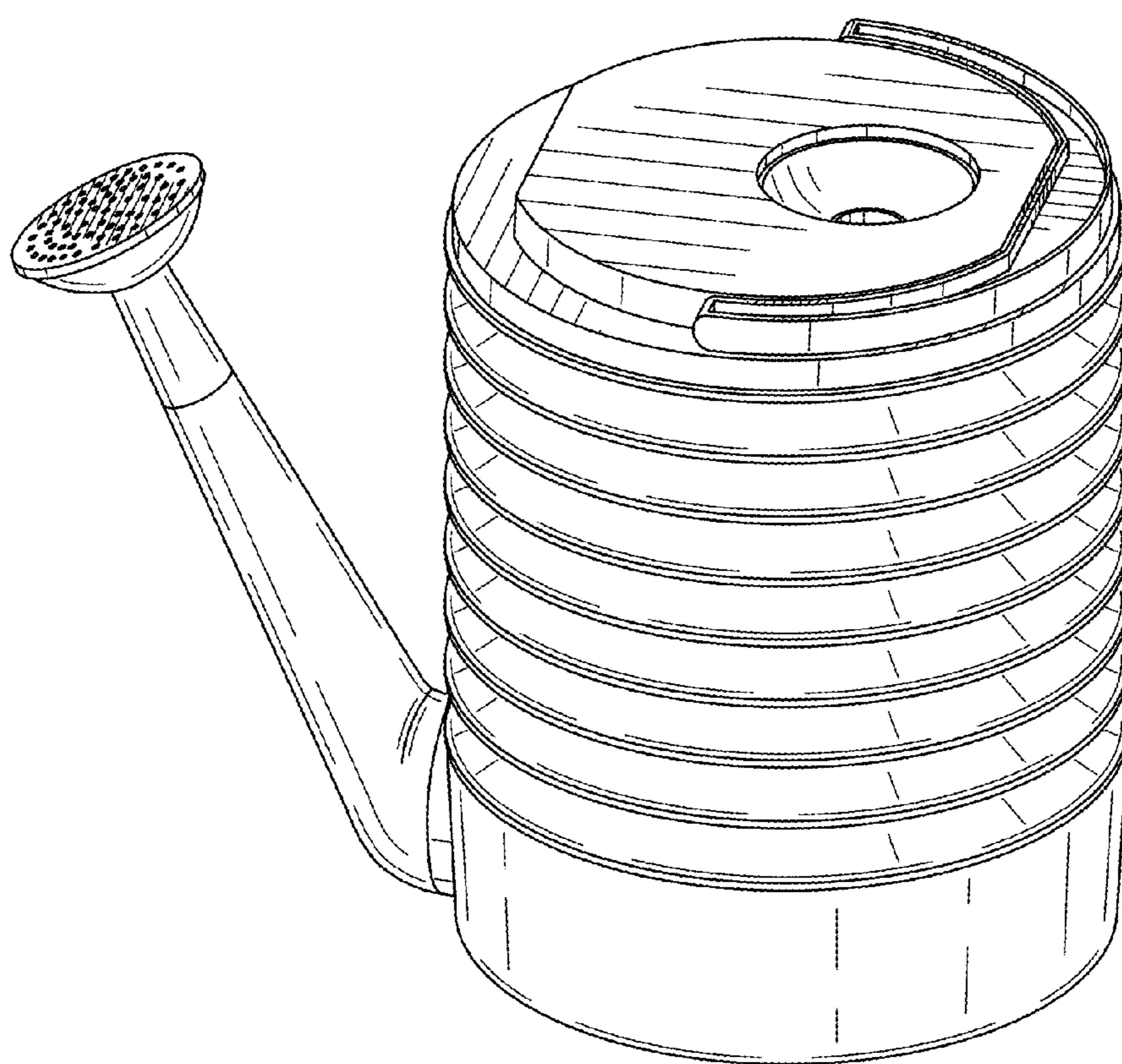


FIG. 1

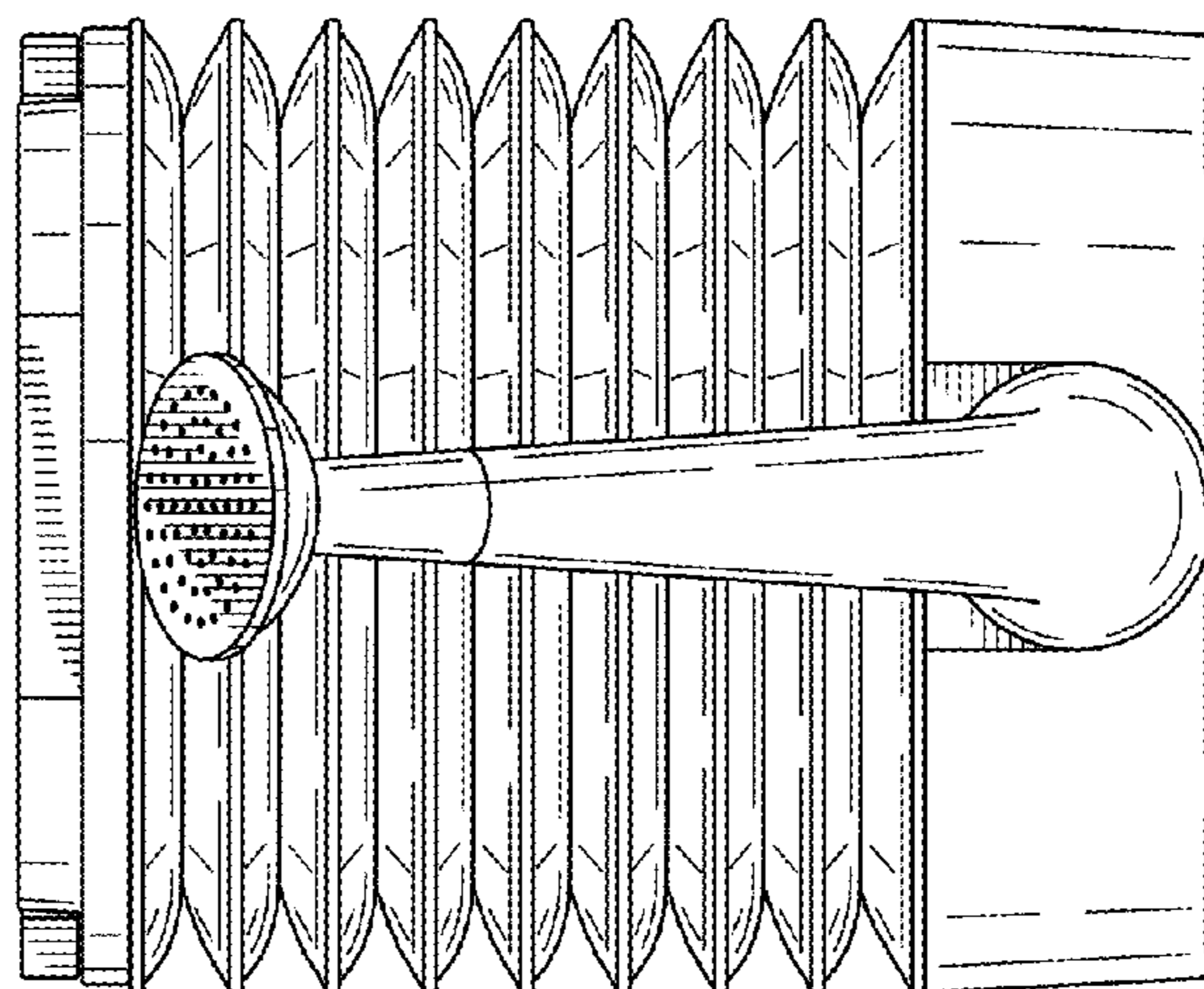


FIG. 3

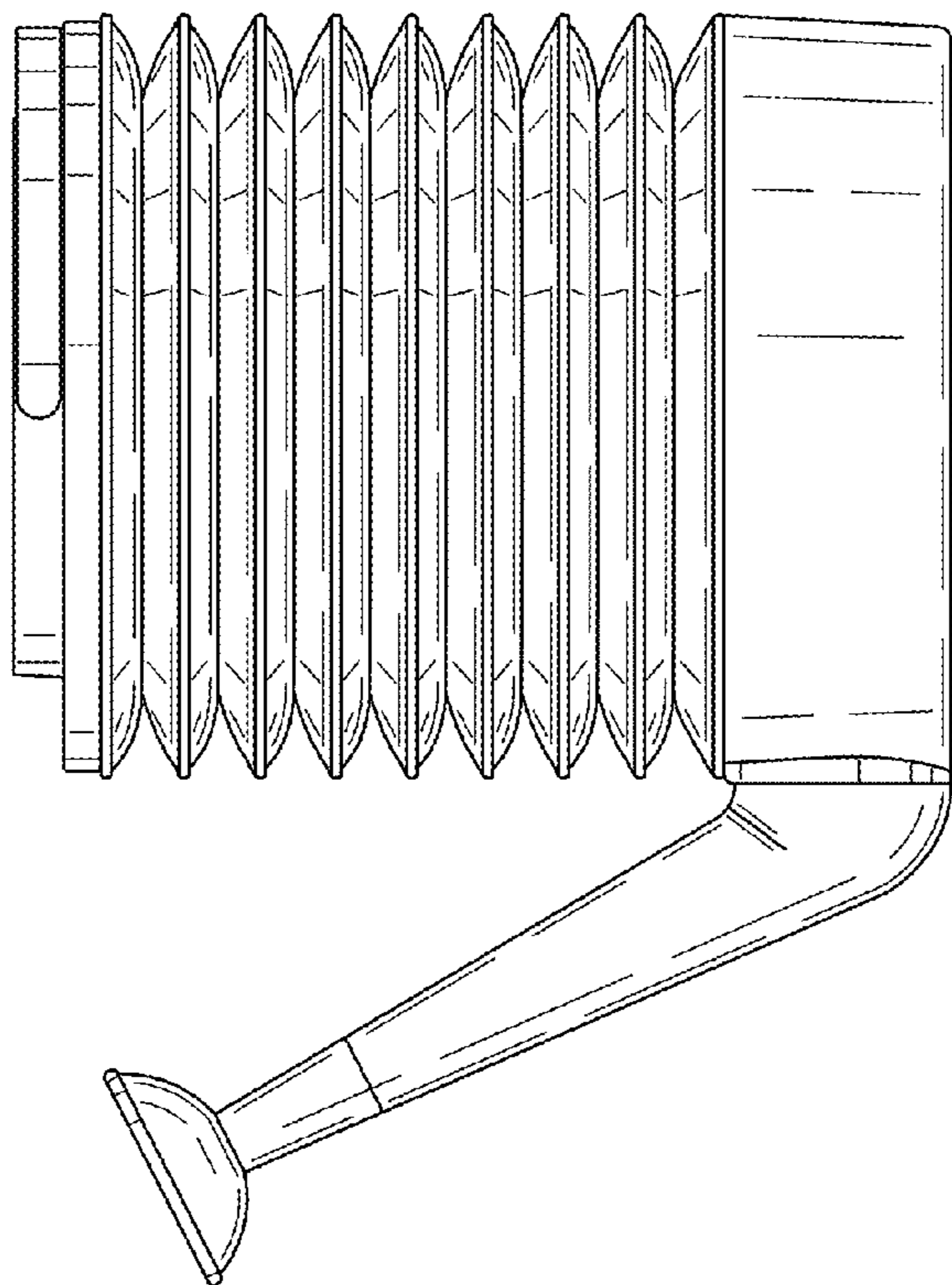


FIG. 2

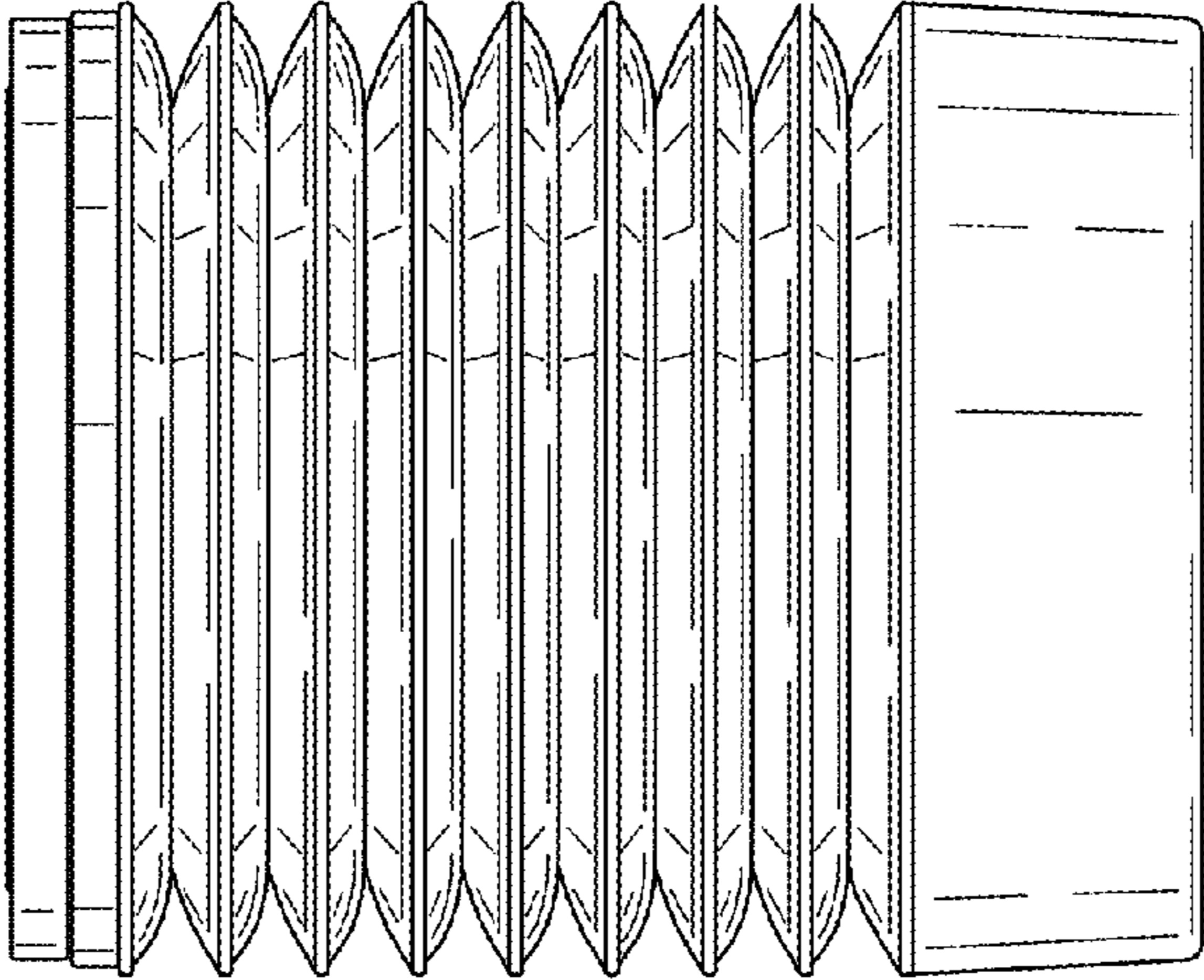


FIG. 5

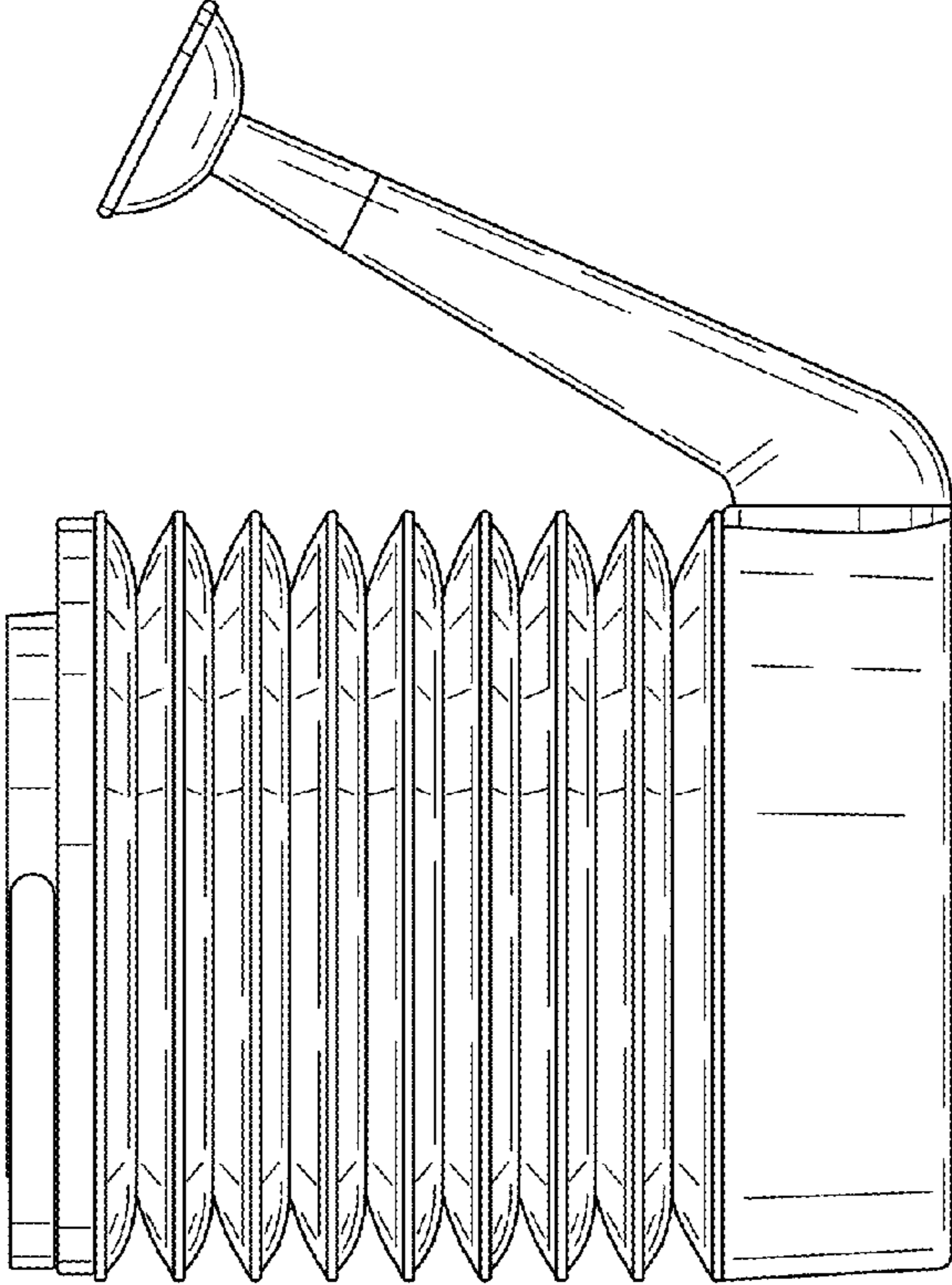


FIG. 4

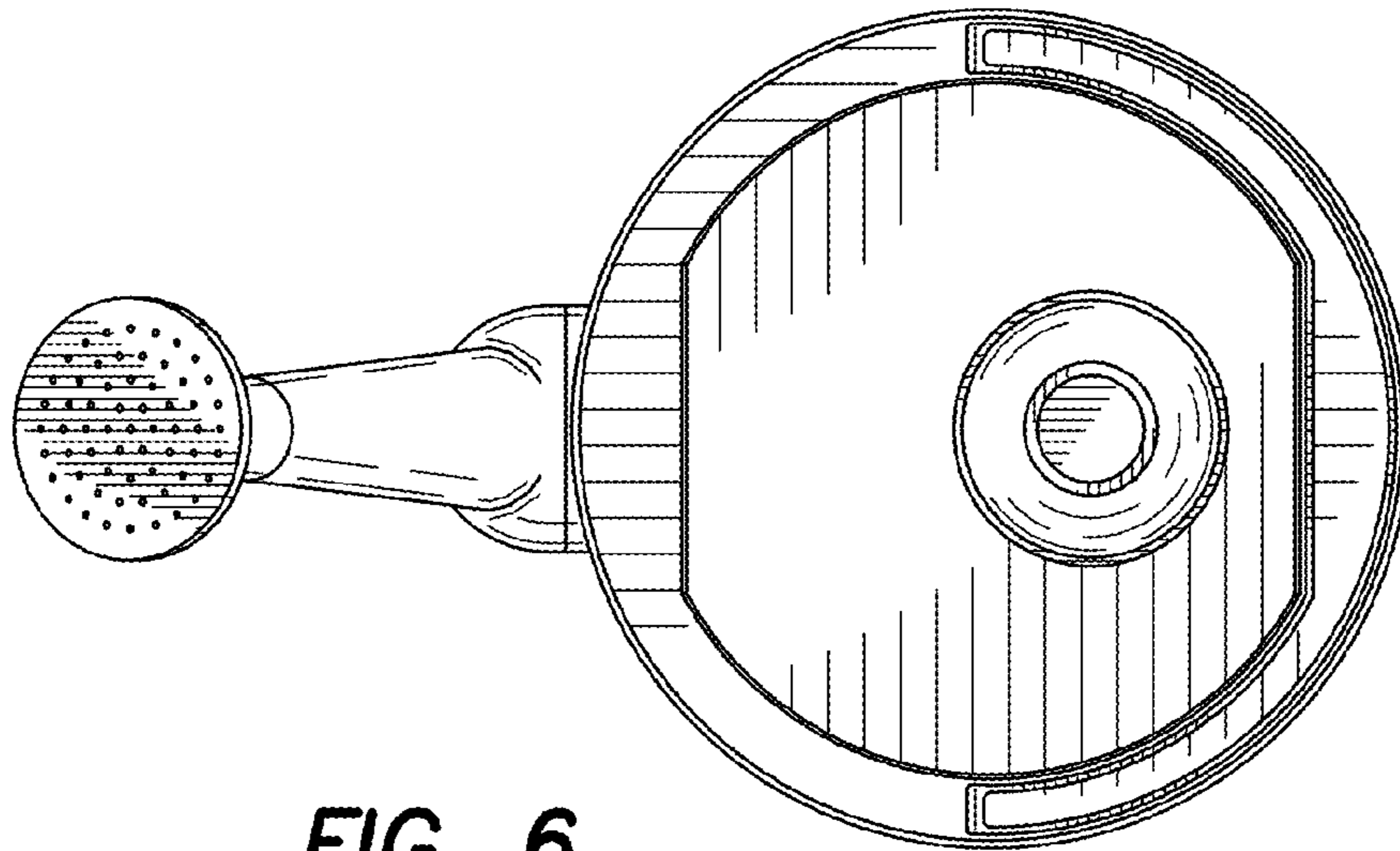


FIG. 6

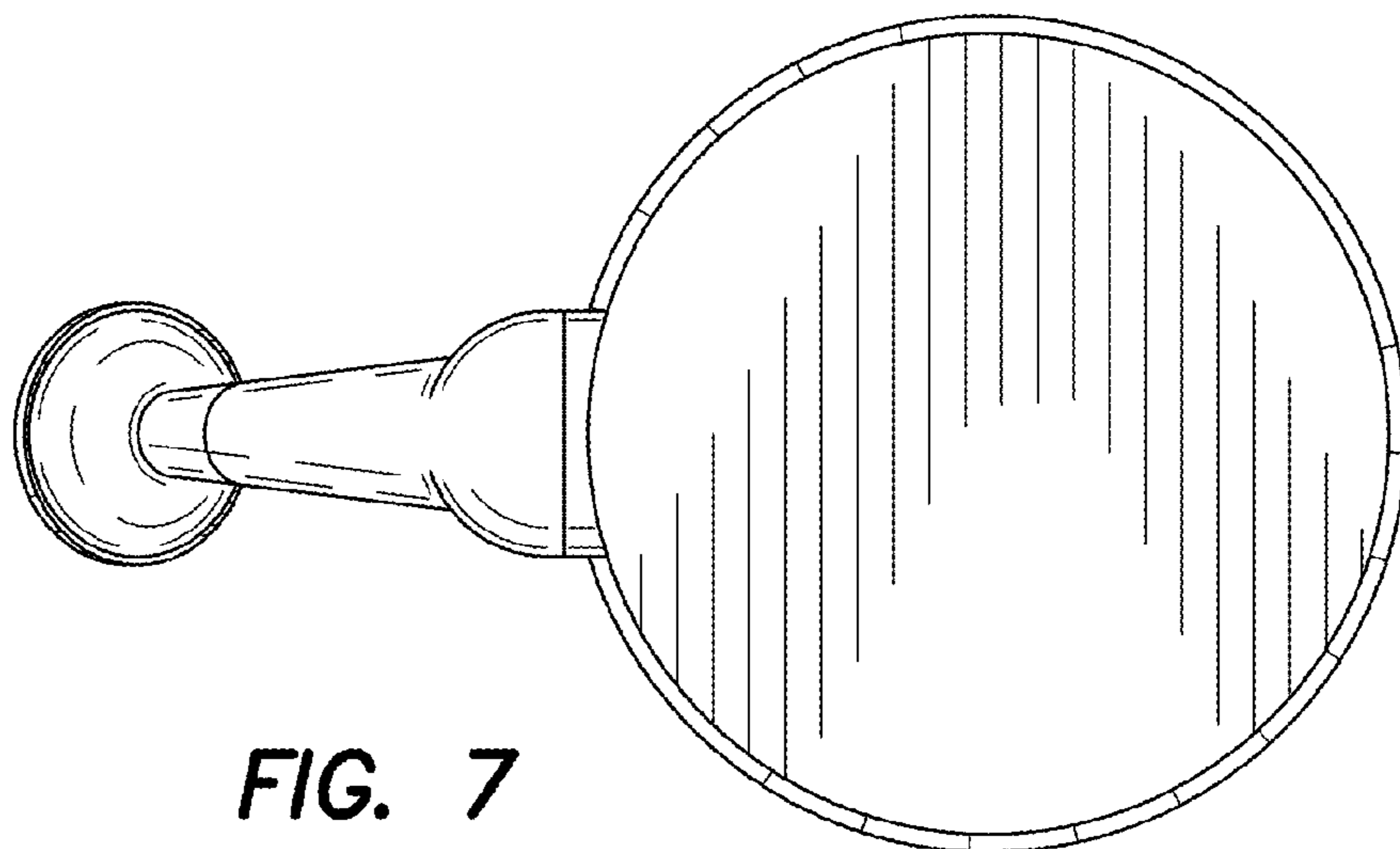


FIG. 7

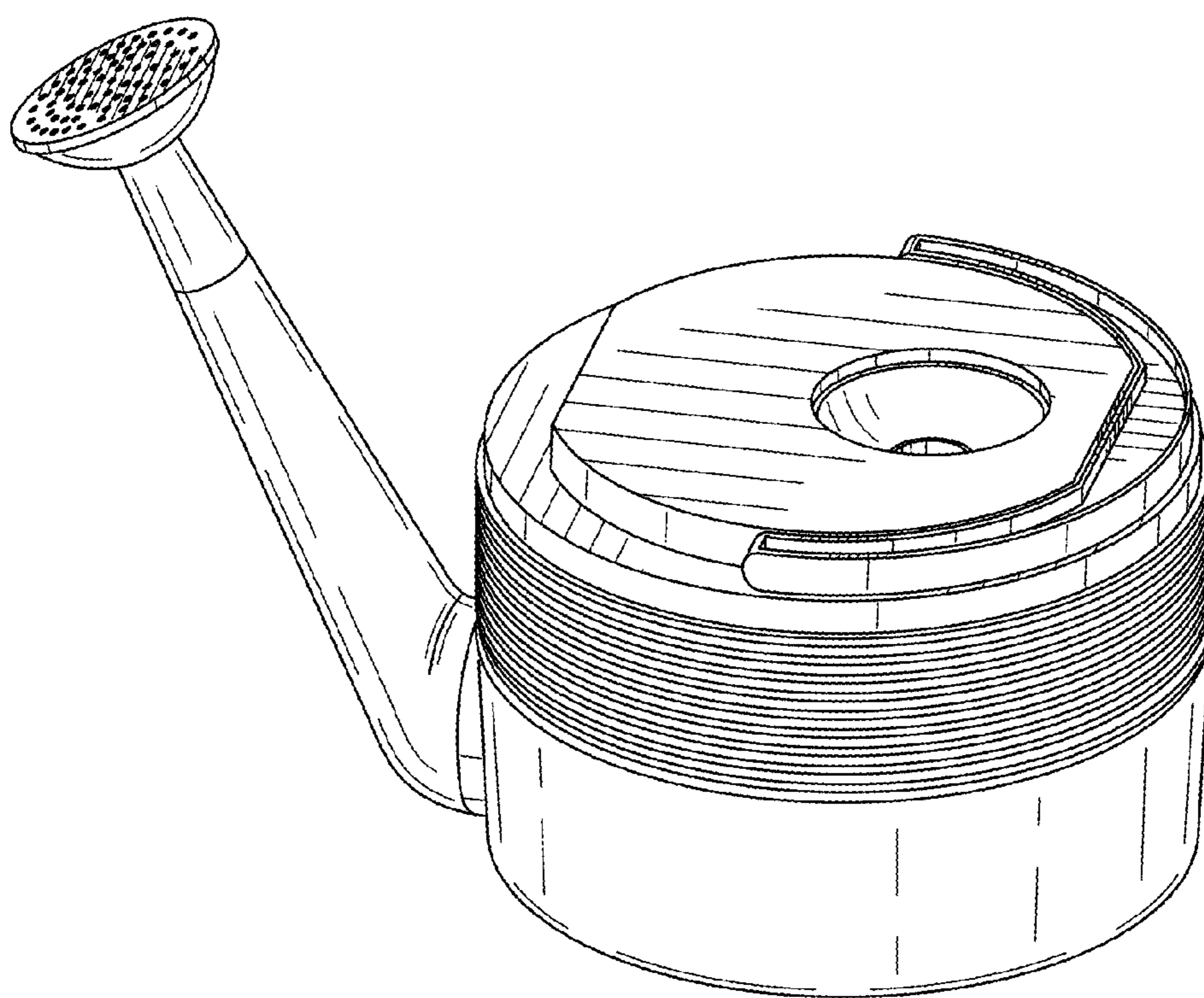


FIG. 8

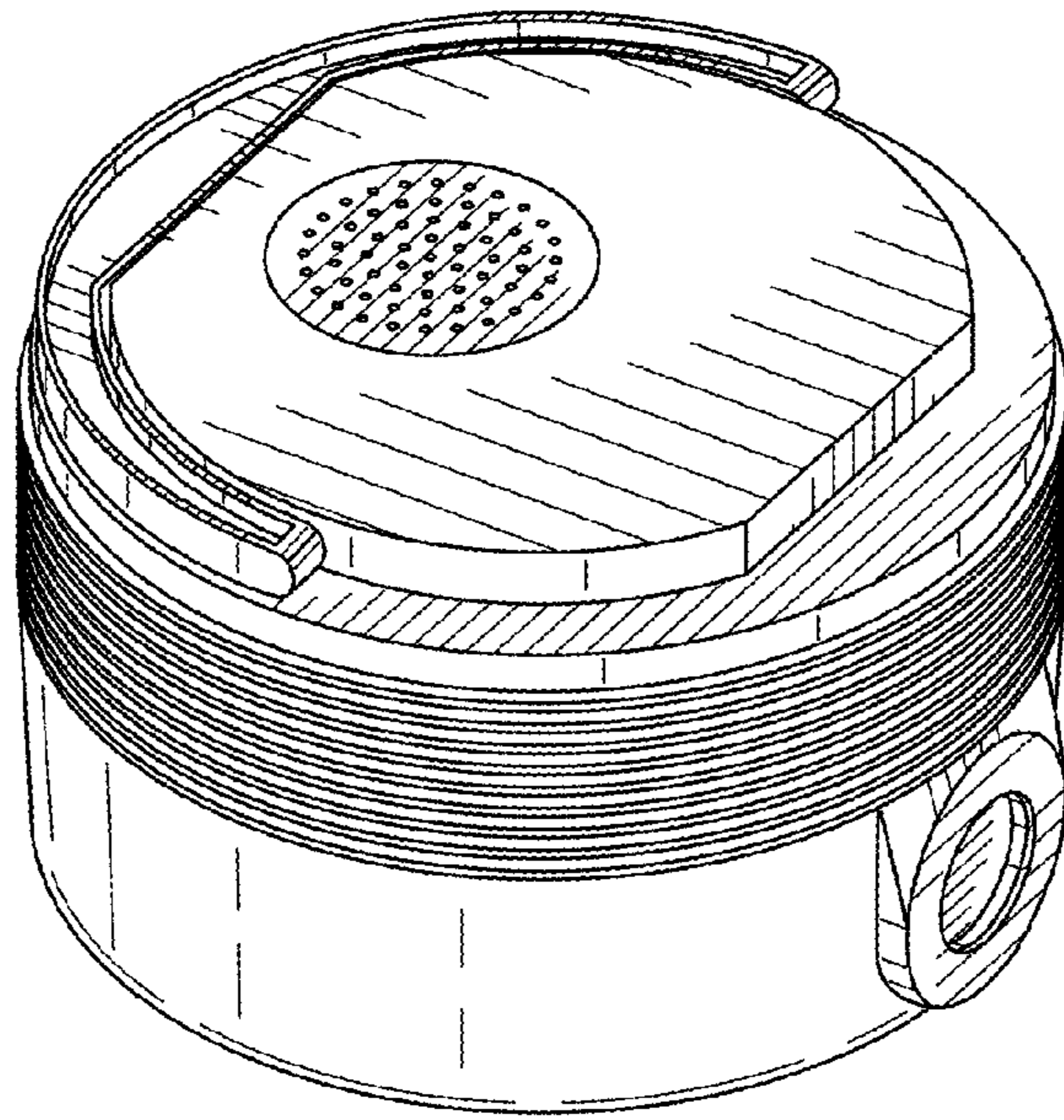


FIG. 9

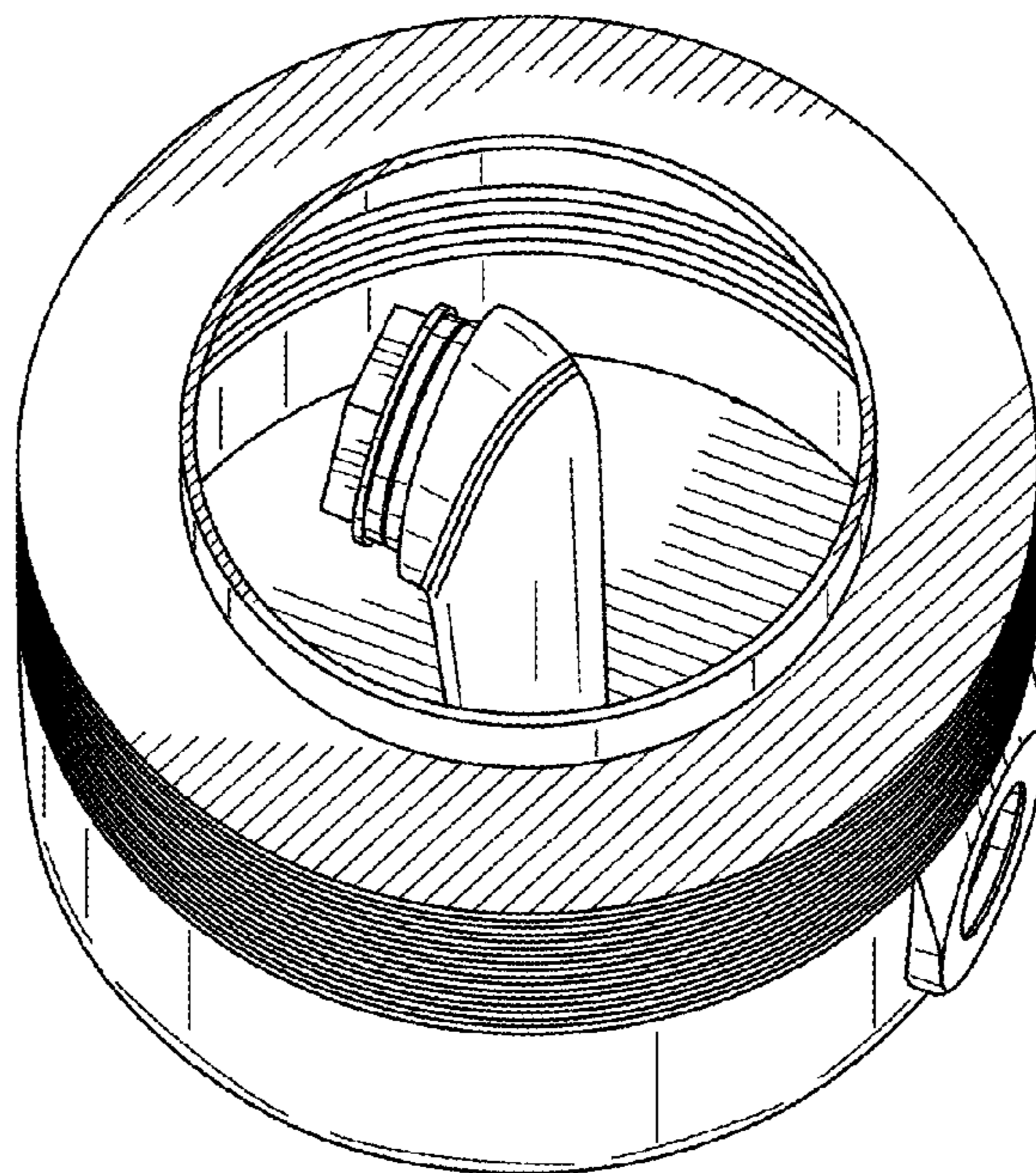


FIG. 10