



US00D715892S

(12) **United States Design Patent**  
**Zhang et al.**

(10) **Patent No.:** **US D715,892 S**  
(45) **Date of Patent:** **\*\* Oct. 21, 2014**

(54) **FRUIT FLY TRAP ENTRY STRUCTURE**

D669,969 S \* 10/2012 Forrest et al. .... D23/261  
D673,641 S 1/2013 Robinson  
D673,642 S 1/2013 Robinson  
D689,976 S \* 9/2013 Ordaz ..... D22/122  
D694,849 S 12/2013 Ots

(71) Applicant: **Sterling International Inc.**, Spokane,  
WA (US)

(72) Inventors: **Qing-He Zhang**, Greenacres, WA (US);  
**Marc Chapin**, Spokane, WA (US);  
**Rodney G. Schneidmiller**, Greenacres,  
WA (US); **Paul William Bryant**,  
Spokane, WA (US)

\* cited by examiner

*Primary Examiner* — Catheri Oliver-Garcia  
(74) *Attorney, Agent, or Firm* — Christensen O'Connor  
Johnson Kindness PLLC

(73) Assignee: **Sterling International Inc.**, Spokane,  
WA (US)

(57) **CLAIM**  
The ornamental design for a fruit fly trap entry structure, as  
shown.

(\*\*) Term: **14 Years**

**DESCRIPTION**

(21) Appl. No.: **29/479,095**

(22) Filed: **Jan. 10, 2014**

(51) **LOC (10) Cl.** ..... **22-06**

(52) **U.S. Cl.**

USPC ..... **D22/122**

(58) **Field of Classification Search**

USPC ..... D22/119–124; 43/107, 113–117,  
43/121–122, 133, 139–140; D3/205;  
D28/73; D23/261

See application file for complete search history.

FIG. 1 is an upper perspective view of a fruit fly trap entry structure in accordance with the present design;  
FIG. 2 is a lower perspective view of the fruit fly trap entry structure shown in FIG. 1;  
FIG. 3 is a front view of the fruit fly trap entry structure shown in FIG. 1;  
FIG. 4 is a rear view of the fruit fly trap entry structure shown in FIG. 1;  
FIG. 5 is a plan view of the fruit fly trap entry structure shown in FIG. 1;  
FIG. 6 is a bottom view of the fruit fly trap entry structure shown in FIG. 1;  
FIG. 7 is a left side view of the fruit fly trap entry structure shown in FIG. 1; and,  
FIG. 8 is a right side view of the fruit fly trap entry structure shown in FIG. 1.

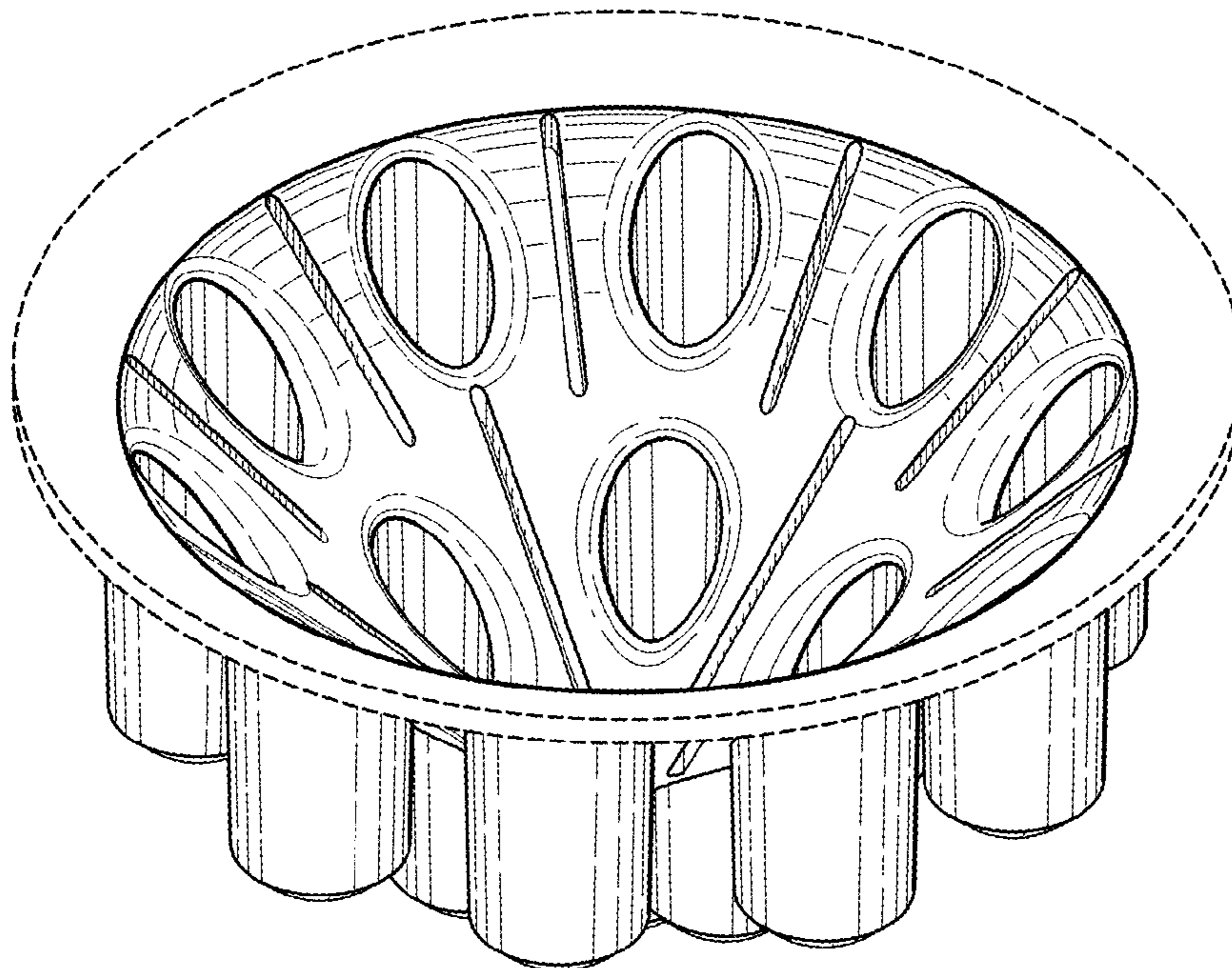
The broken line(s) which define the bounds of the claimed design form no part thereof.

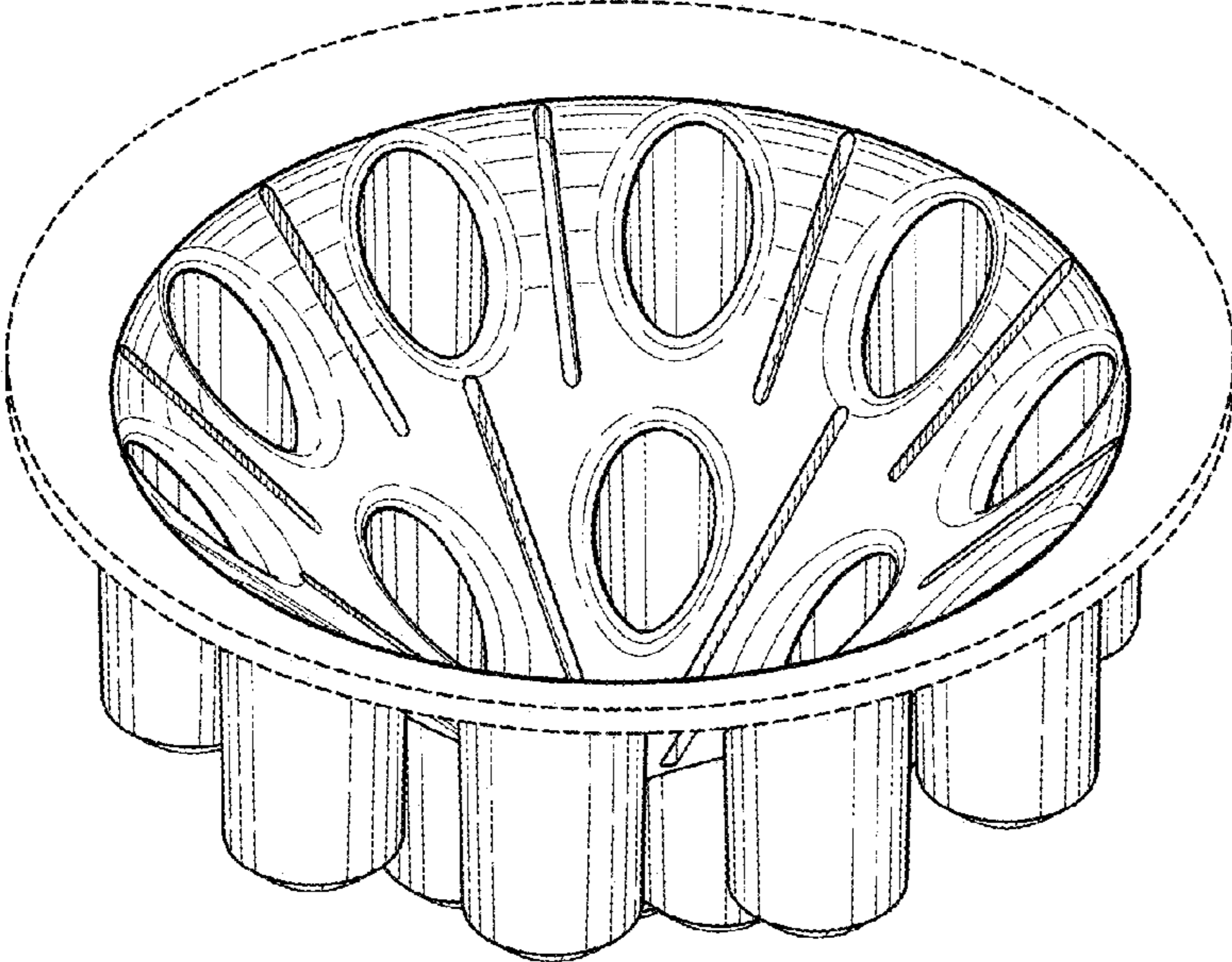
(56) **References Cited**

**U.S. PATENT DOCUMENTS**

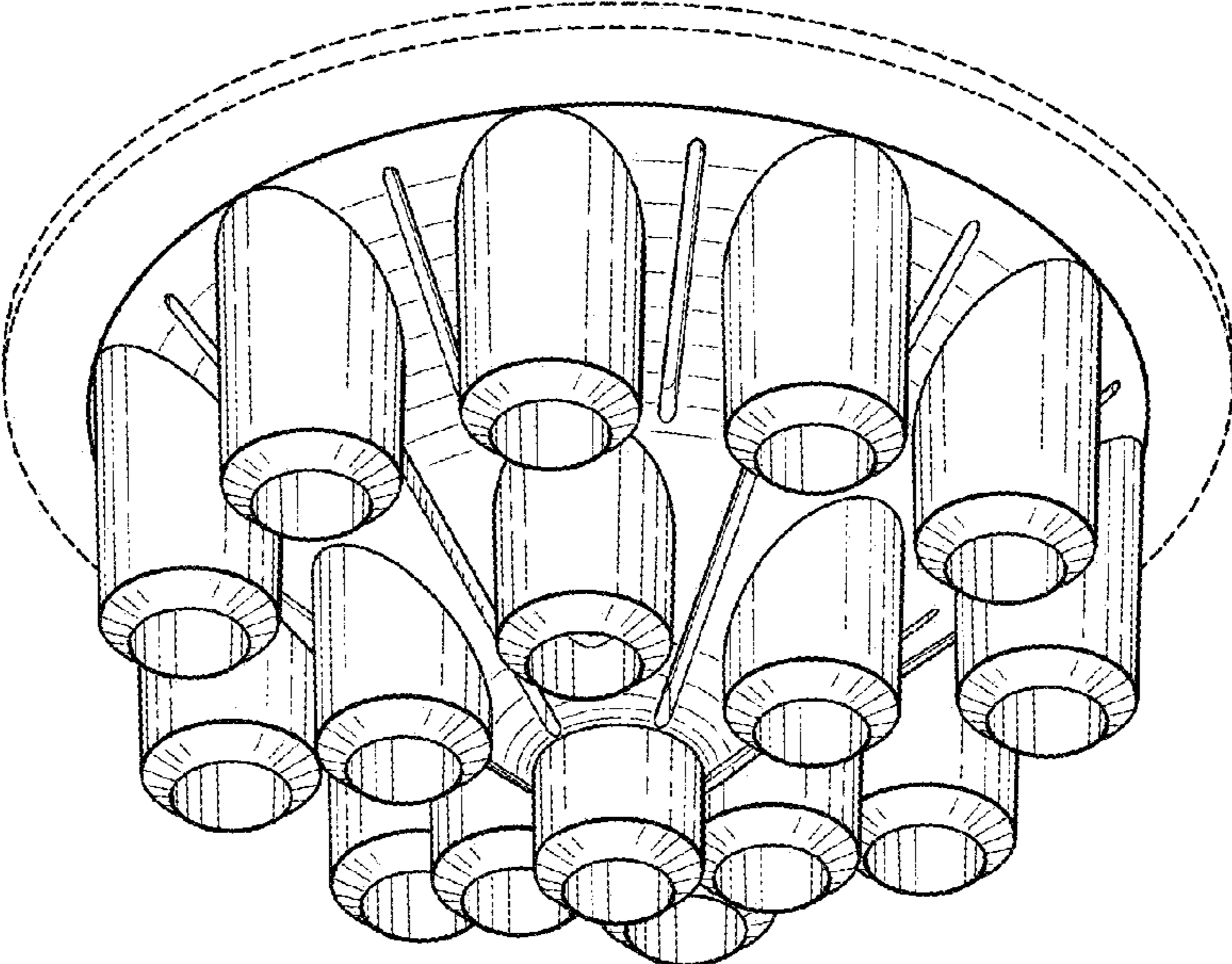
D256,716 S 9/1980 Gombert  
D301,364 S 5/1989 Hunter  
D329,681 S 9/1992 Demarest  
D565,145 S 3/2008 Studer  
D566,225 S \* 4/2008 Cink et al. .... D22/122

**1 Claim, 5 Drawing Sheets**

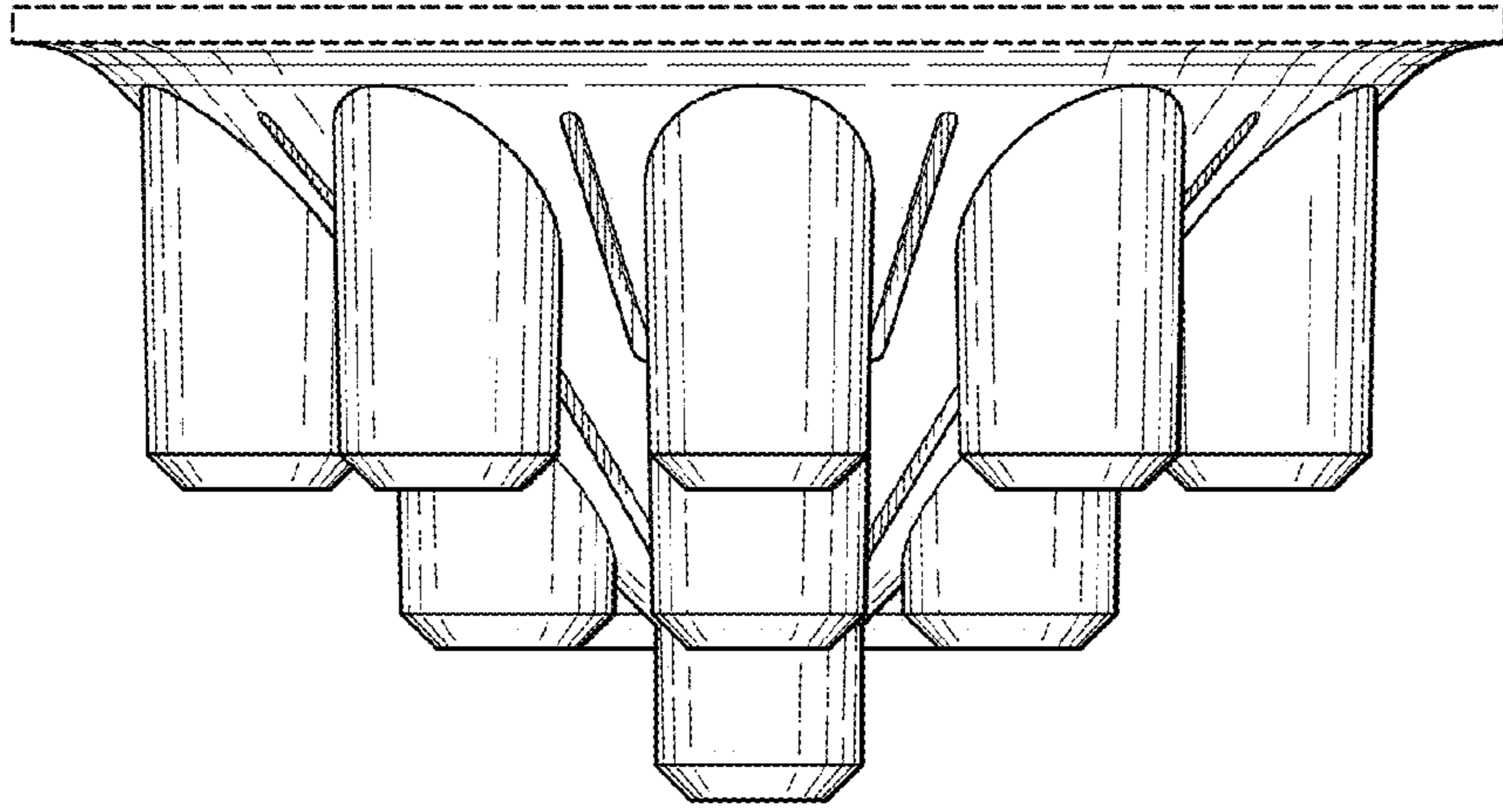




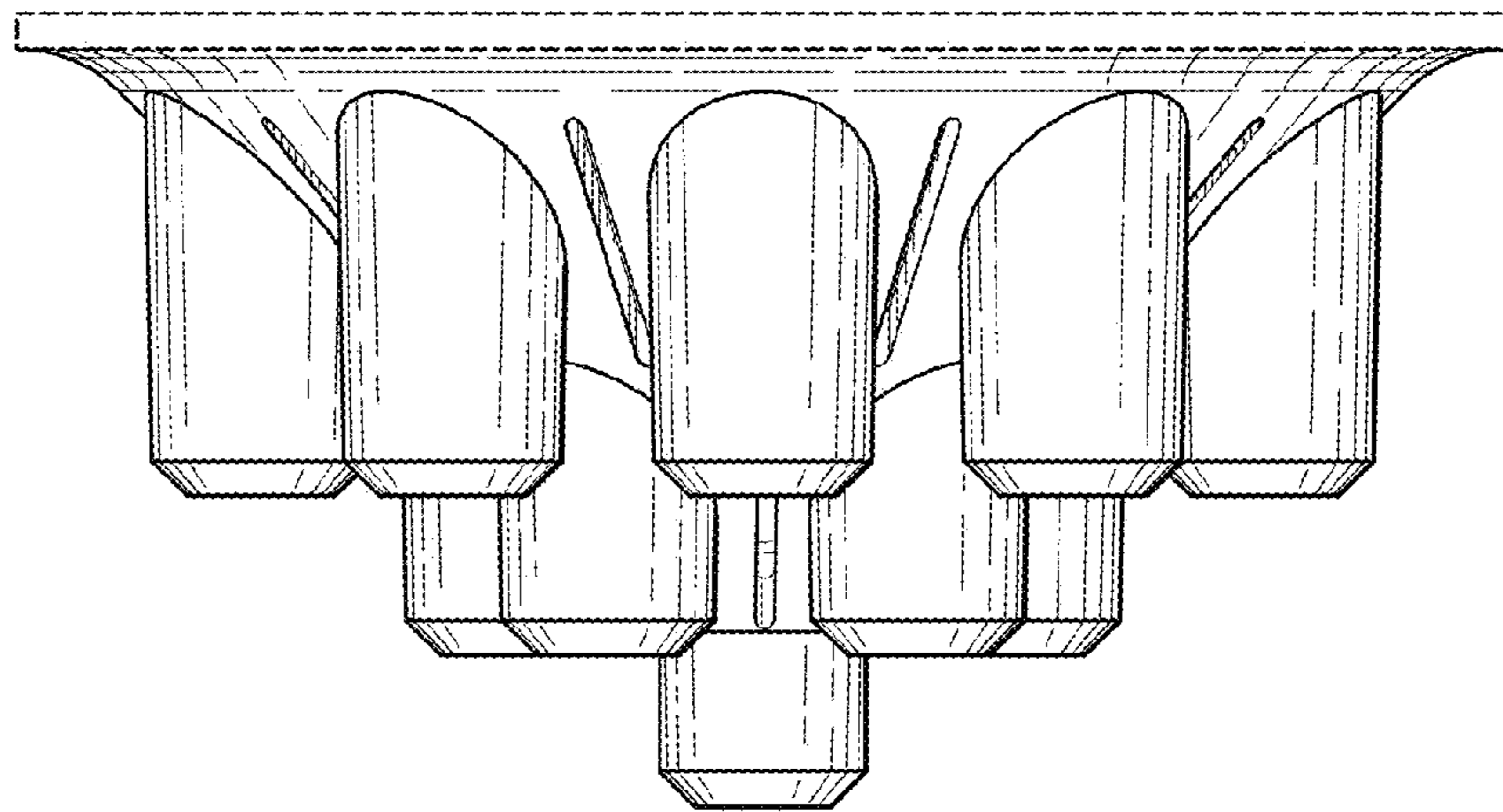
*Fig. 1.*



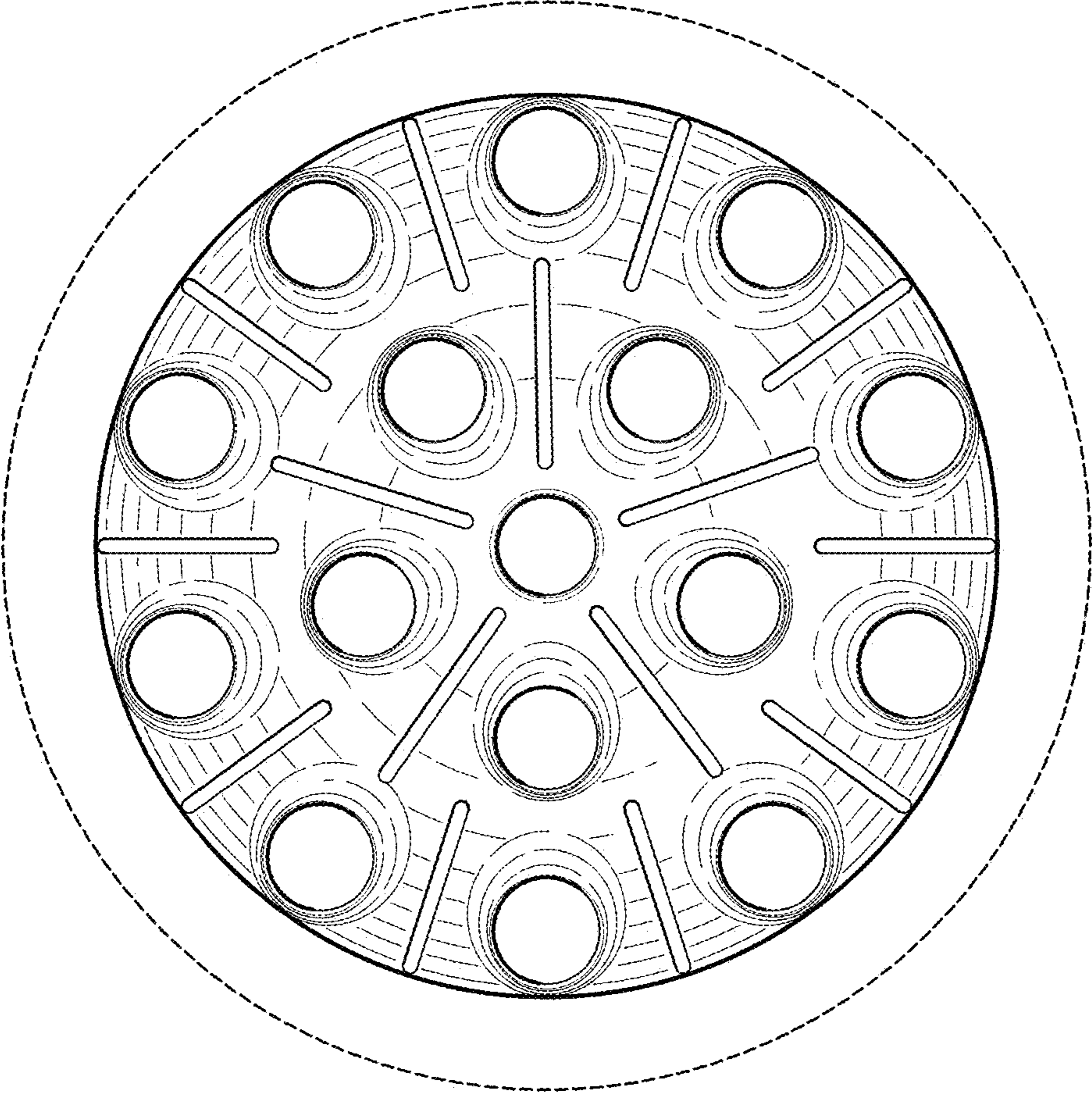
*Fig. 2.*



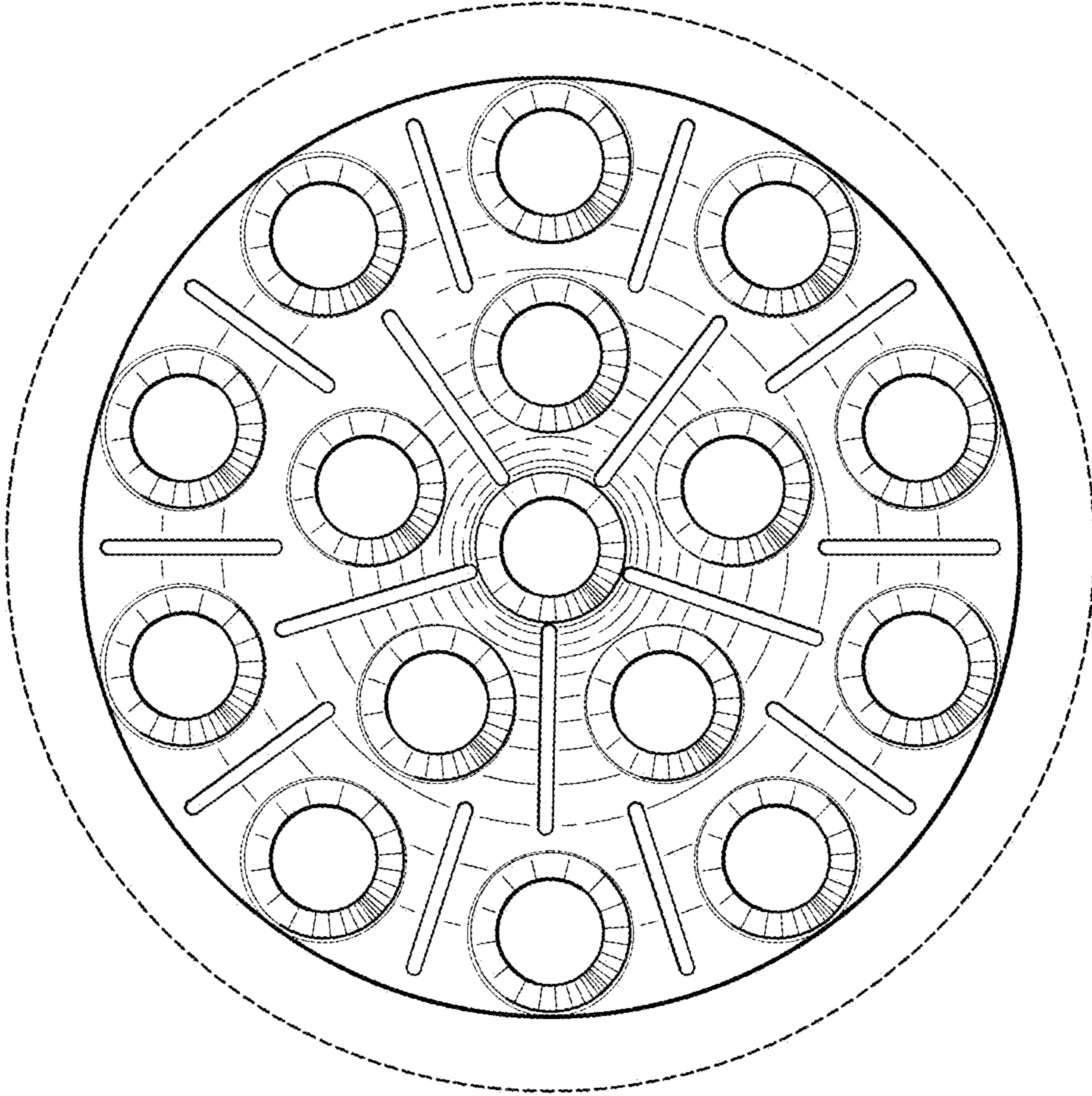
*Fig. 3.*



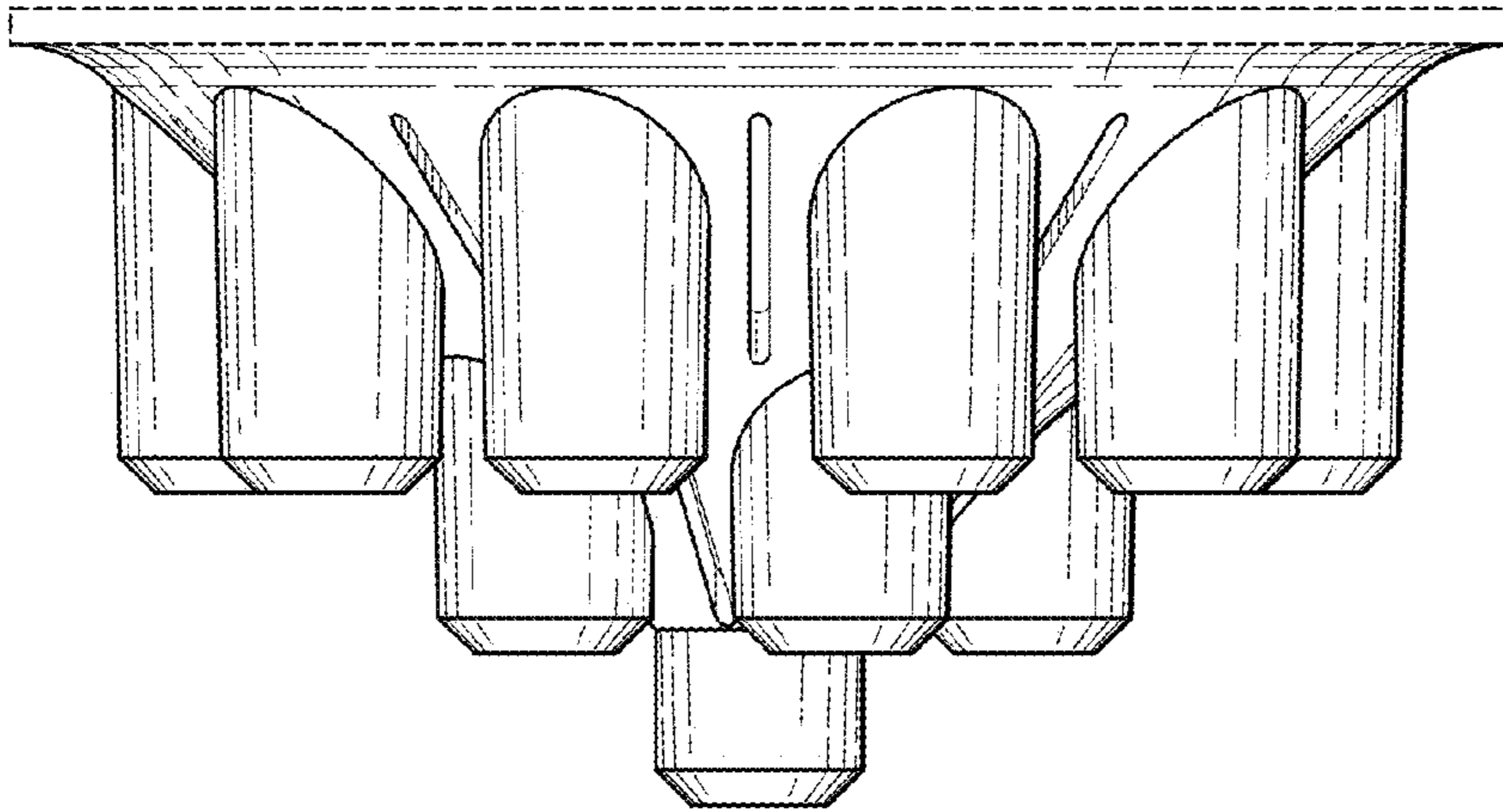
*Fig. 4.*



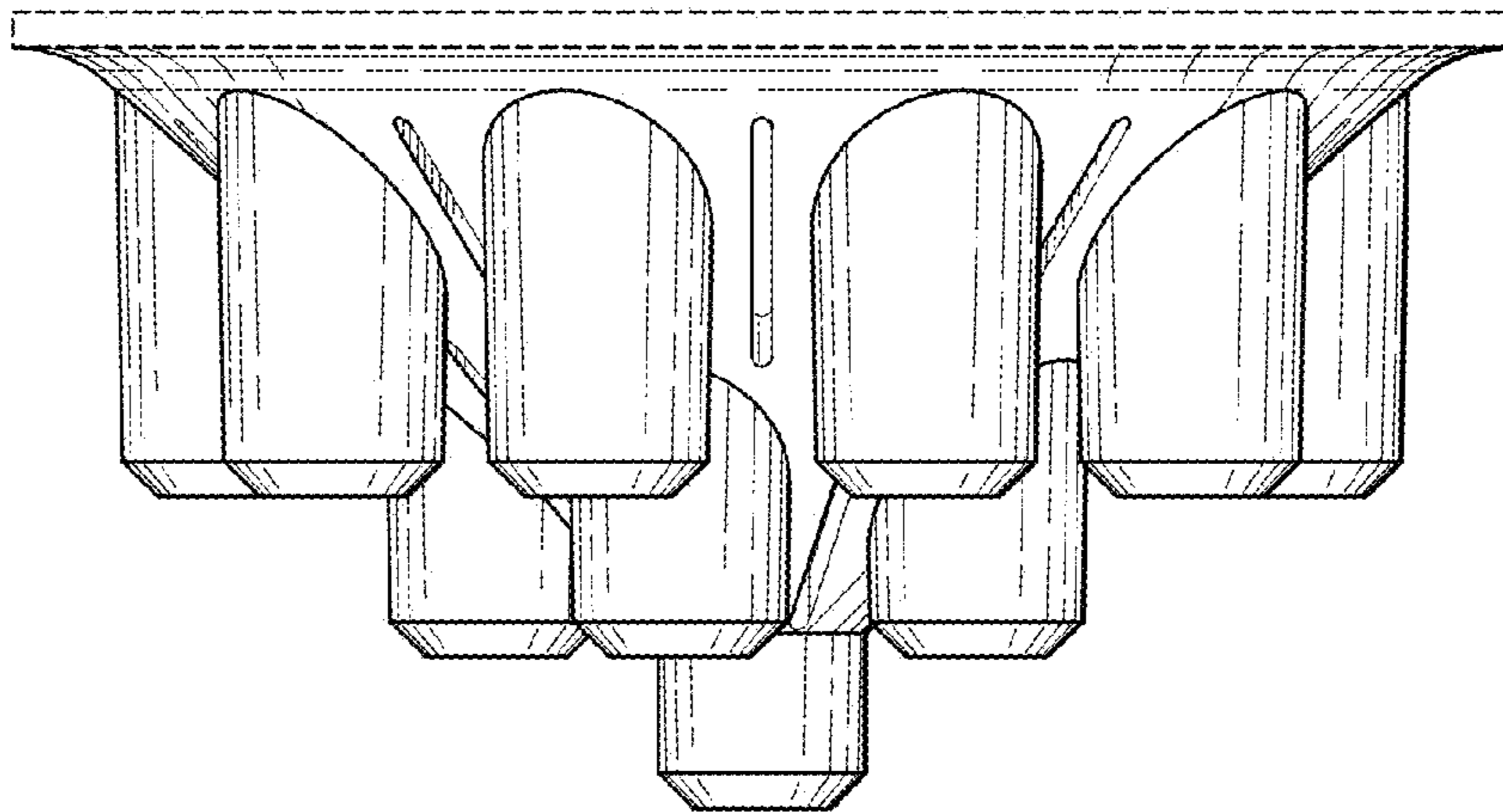
*Fig. 5.*



*Fig. 6.*



*Fig. 7.*



*Fig. 8.*