



US00D715889S

(12) **United States Design Patent**
Sheikh et al.

(10) **Patent No.:** **US D715,889 S**

(45) **Date of Patent:** **** Oct. 21, 2014**

(54) **FRONT PORTION OF A STUN GUN**

(71) Applicants: **Yasar Sheikh**, Sanford, FL (US);
Shabbir Sheikh, Sanford, FL (US)

(72) Inventors: **Yasar Sheikh**, Sanford, FL (US);
Shabbir Sheikh, Sanford, FL (US)

(**) Term: **14 Years**

(21) Appl. No.: **29/452,100**

(22) Filed: **Apr. 11, 2013**

(51) **LOC (10) Cl.** **22-02**

(52) **U.S. Cl.**
USPC **D22/117**

(58) **Field of Classification Search**
USPC D22/108, 117-118; 222/78-79, 153.03,
222/153.11, 162, 175, 192, 402.1, 402.11,
222/504; 231/1, 3, 7, 232; 42/1.08, 1.09,
42/1.12

See application file for complete search history.

(56) **References Cited**

U.S. PATENT DOCUMENTS

4,968,034	A	11/1990	Hsieh	
D513,334	S	12/2005	Galey	
D541,454	S	4/2007	Galey	
D544,621	S *	6/2007	Kim D26/37
7,278,764	B2	10/2007	Kim	
D565,769	S	4/2008	Shiu	
D578,236	S	10/2008	Dalton	
D585,577	S	1/2009	Bonis	
D586,025	S	2/2009	Bonis	
D595,439	S	6/2009	Haight et al.	
D599,928	S	9/2009	Shiu	
D601,736	S	10/2009	Swan	
D603,988	S	11/2009	Sharrah	
D611,115	S	3/2010	Pennington	
D629,542	S	12/2010	Robinson	

D629,544	S	12/2010	Deguglimo et al.	
D629,546	S	12/2010	Deguglimo et al.	
D646,346	S	10/2011	Rae	
D647,232	S	10/2011	Liu	
D647,654	S	10/2011	Li	
D648,467	S	11/2011	Nguyen et al.	
D649,670	S	11/2011	Robinson	
D666,344	S	8/2012	Lee	
8,510,979	B1 *	8/2013	Mortimer 42/1.08
D690,383	S *	9/2013	Sheikh et al. D22/117
D695,873	S *	12/2013	Sheikh et al. D22/117
2010/0165613	A1 *	7/2010	Rorick 362/206

OTHER PUBLICATIONS

The Home Security Superstore, <http://www.thehomesecuritysuperstore.com/stun-guns-flashlight-stun-guns-sub=38>.

* cited by examiner

Primary Examiner — Michael A Pratt

(74) *Attorney, Agent, or Firm* — QuickPatents; Kevin Prince

(57) **CLAIM**

We claim the ornamental design for a front portion of a stun gun, as shown and described.

DESCRIPTION

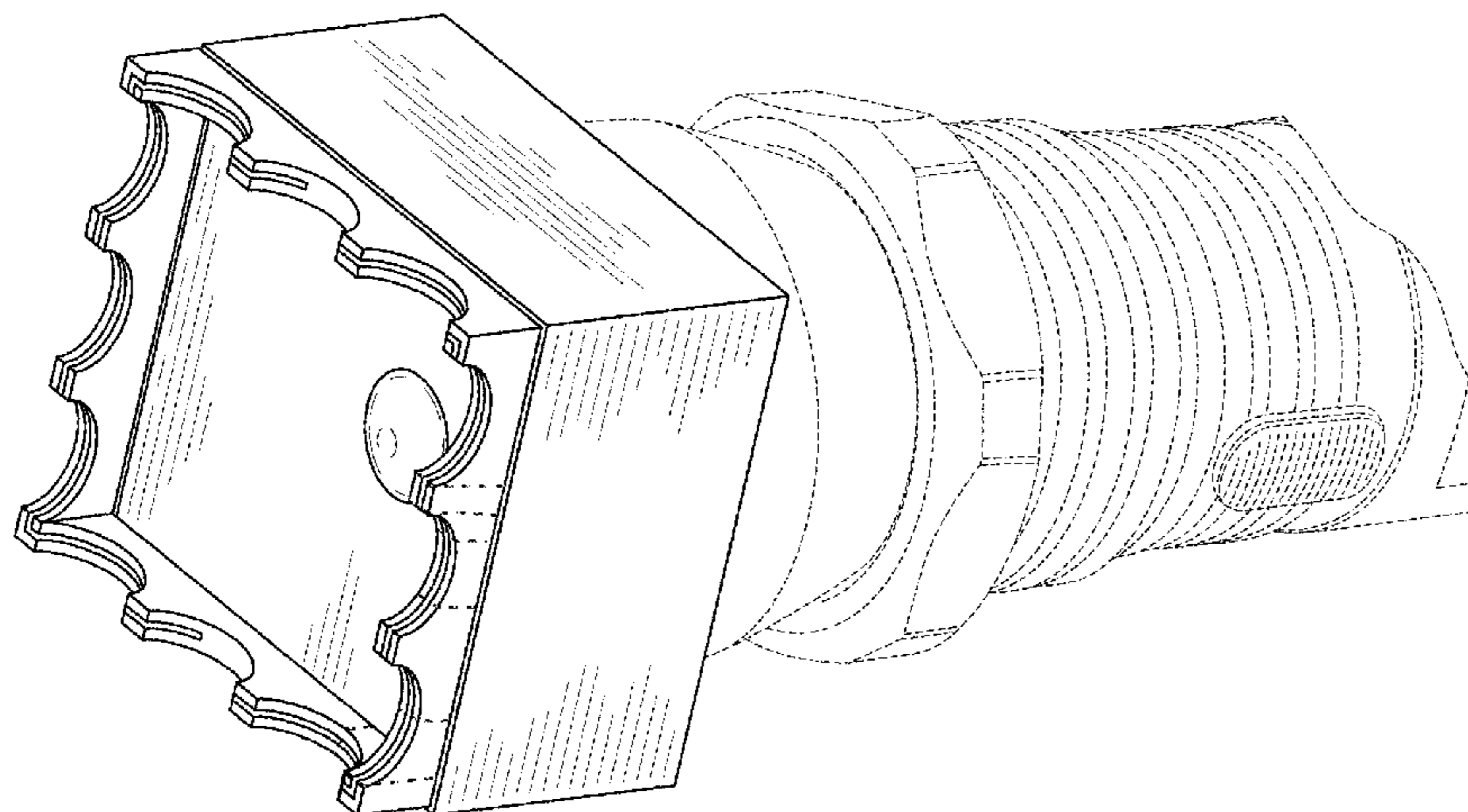
FIG. 1 is a front perspective view of a front portion of a stun gun, showing our new design;

FIG. 2 is a front elevational view of FIG. 1; and,

FIG. 3 is a top plan view of FIG. 1, the bottom plan view being a mirror image thereof.

The broken lines showing a remaining portion of a stun gun depict environmental matter, and form no part of the claimed design. The remaining broken lines shown on the design in the figures represent potential boundary lines for future continuation applications. The rear elevational view constitutes no part of the claimed design.

1 Claim, 2 Drawing Sheets



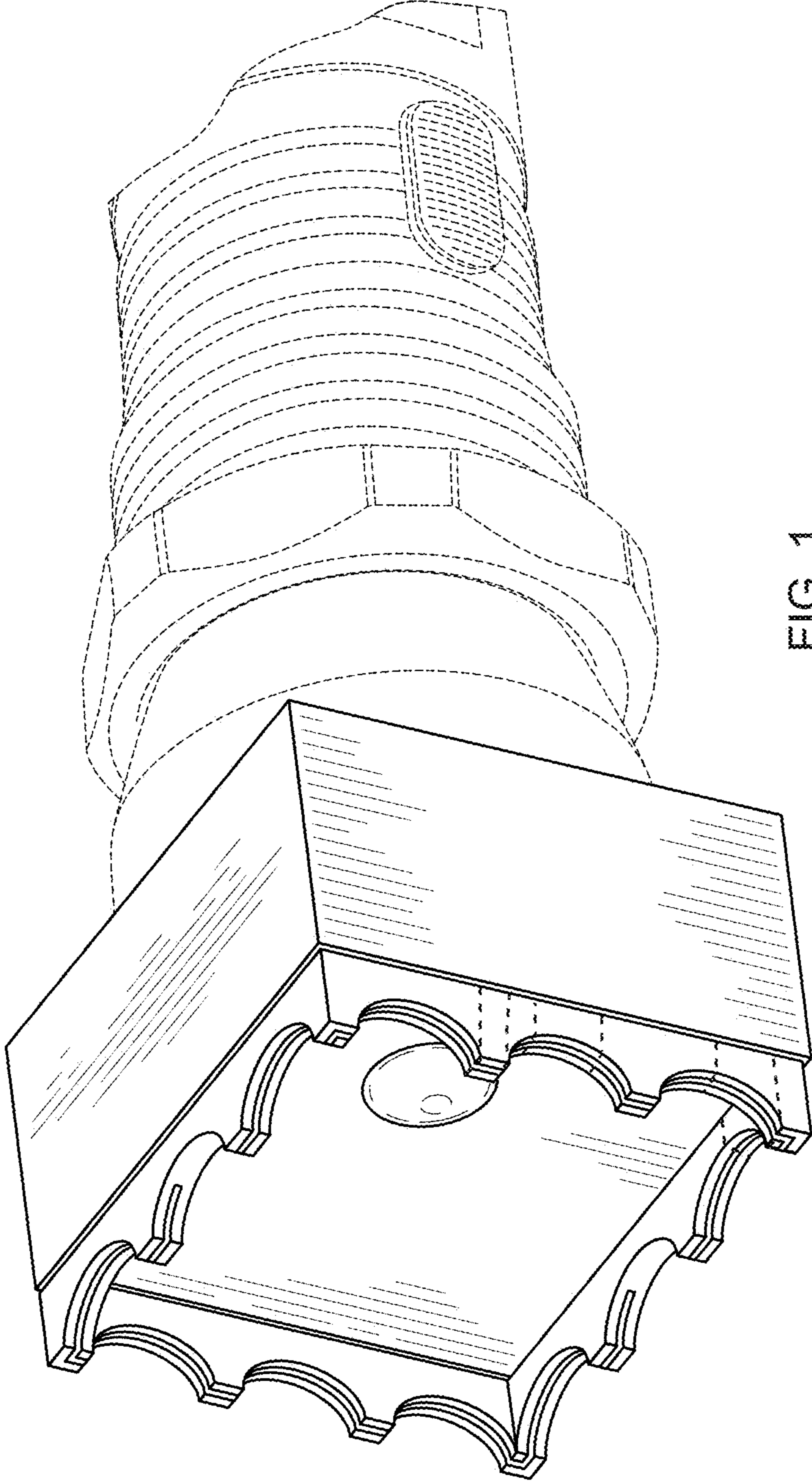


FIG. 1

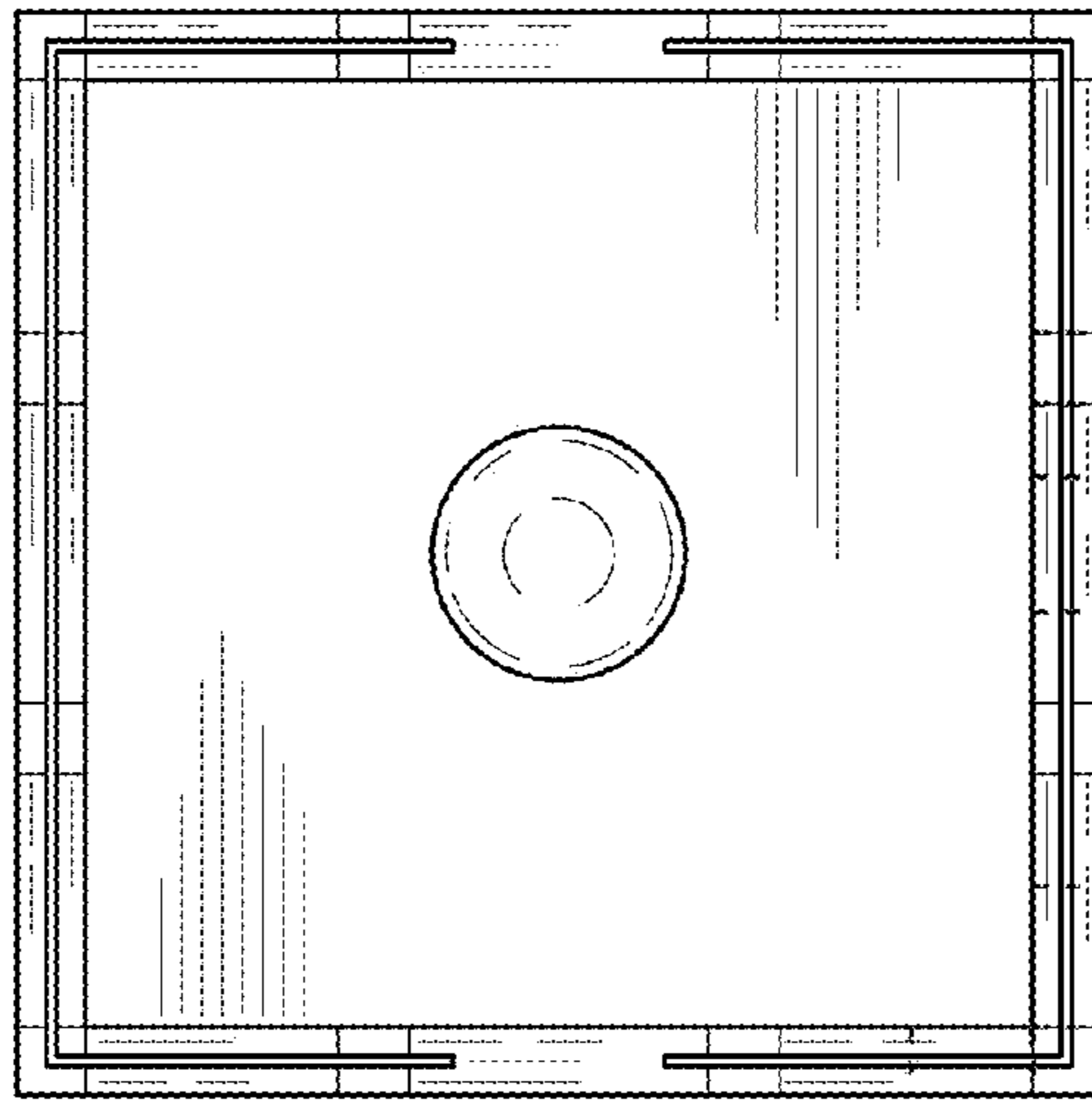


FIG. 2

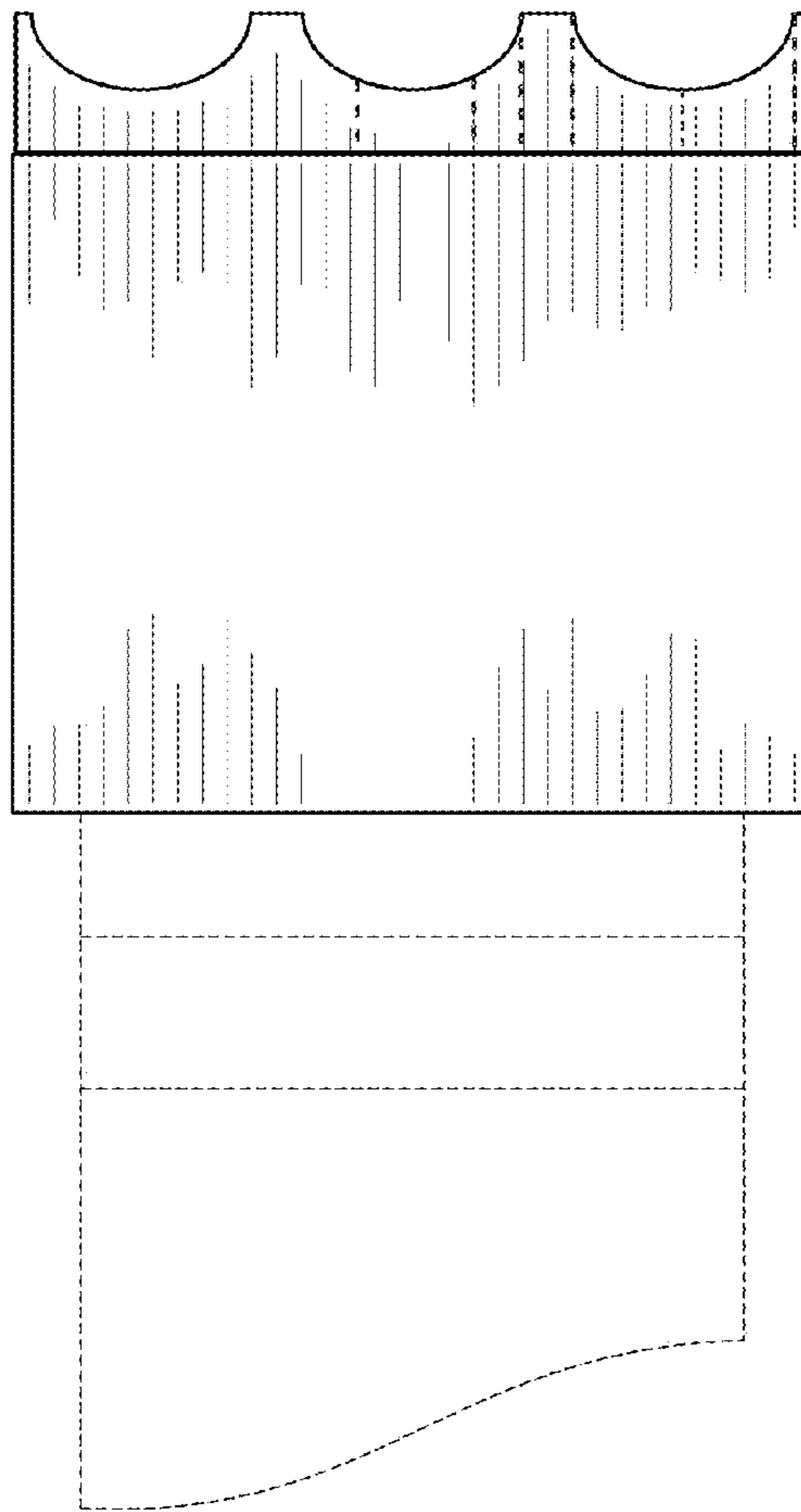


FIG. 3