



US00D715888S

(12) **United States Design Patent**
Padgett

(10) **Patent No.:** **US D715,888 S**

(45) **Date of Patent:** **** Oct. 21, 2014**

(54) **RADIUSED INSERT**

2,402,068 A 6/1946 Meador
2,435,590 A 2/1948 Holroyd
2,455,080 A 11/1948 Miller et al.

(71) Applicant: **PCP Tactical, LLC**, Vero Beach, FL
(US)

(Continued)

(72) Inventor: **Charles Padgett**, Vero Beach, FL (US)

FOREIGN PATENT DOCUMENTS

(73) Assignee: **PCP Tactical, LLC**, Vero Beach, FL
(US)

DE 11 13 880 9/1961
DE 2205619 A1 8/1972

(Continued)

(**) Term: **14 Years**

OTHER PUBLICATIONS

(21) Appl. No.: **29/449,058**

Chung, Jerry S., "Alternative Cartridge Case Material and Design",
Armament Research, Development and Engineering Center Techni-
cal Report ARAEW-TR-05007, May 2005.

(22) Filed: **Mar. 14, 2013**

(Continued)

Related U.S. Application Data

(63) Continuation-in-part of application No. 13/350,607,
filed on Jan. 13, 2012, now Pat. No. 8,443,730.

(51) **LOC (10) Cl.** **22-03**

(52) **U.S. Cl.**
USPC **D22/115**

(58) **Field of Classification Search**
USPC D22/115-116; 102/464-468; 86/10,
86/19.5, 23, 25, 46-48, 54-55; 473/569
See application file for complete search history.

Primary Examiner — Michael A Pratt

(74) *Attorney, Agent, or Firm* — Troutman Sanders LLP

(57) **CLAIM**

The ornamental design for a radiused insert, substantially
shown and described herein.

DESCRIPTION

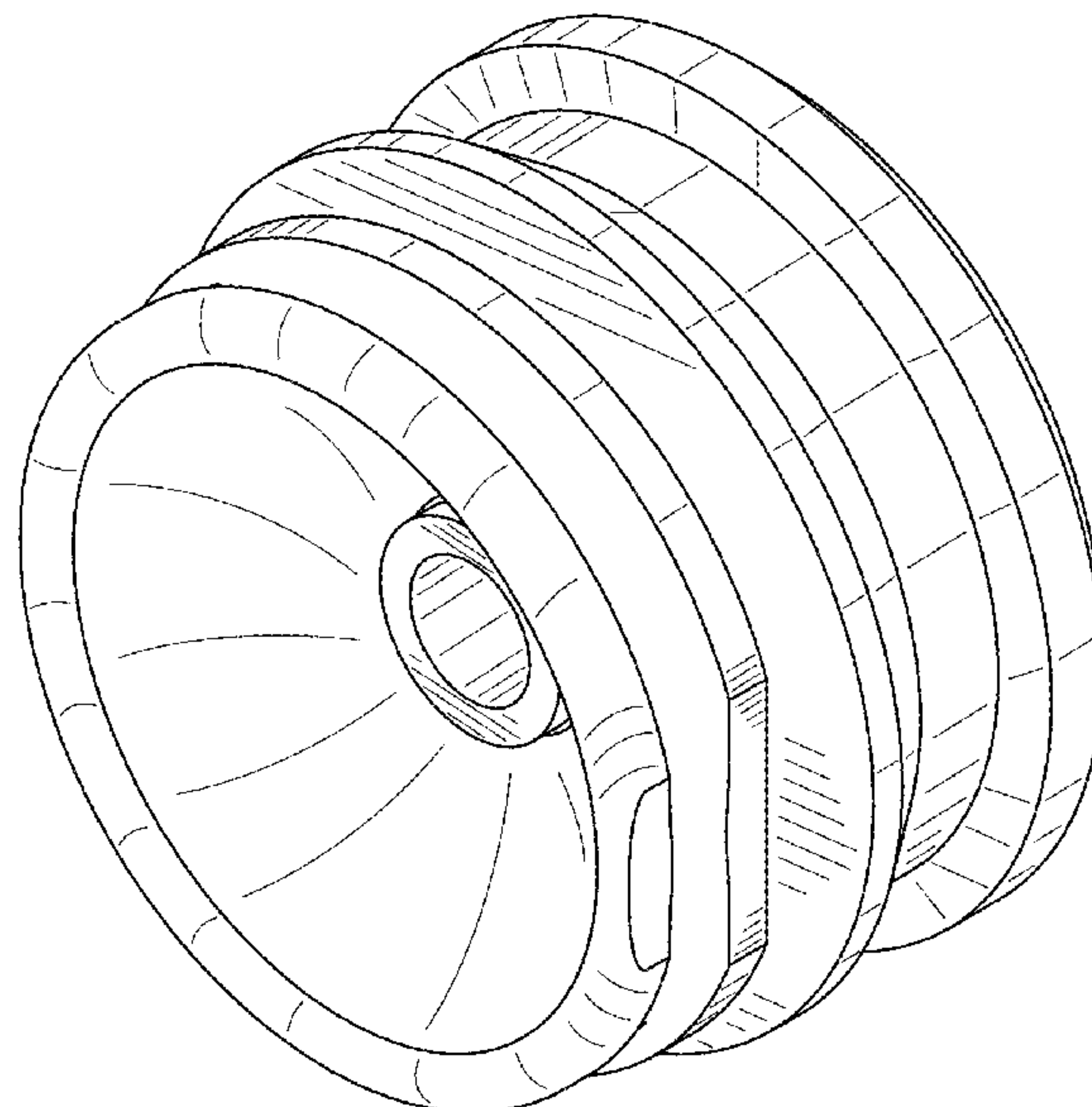
FIG. 1 is a front, top, right perspective view of the radiused
insert of the new design;
FIG. 2 is a top plan view thereof;
FIG. 3 is a cross-sectional view along line 3-3 of FIG. 2;
FIG. 4 is a left side view thereof, the right side being a mirror
image;
FIG. 5 is a front side view thereof; and,
FIG. 6 is a bottom plan view thereof.
The broken line showing of environment in the drawings is
for illustrative purposes only and forms no part of the claimed
design.

(56) **References Cited**

U.S. PATENT DOCUMENTS

692,819 A 2/1902 Bissel
827,600 A 7/1906 Bailey
1,118,888 A 11/1914 Butler
1,233,071 A 7/1917 Lindquist
2,022,685 A 12/1935 Moore
2,263,941 A 11/1941 Albree
2,294,822 A 9/1942 Albree
2,366,887 A 1/1945 Warren
2,379,510 A 7/1945 Ewart
2,395,460 A 2/1946 Carten
2,401,050 A 5/1946 Cooper et al.

1 Claim, 4 Drawing Sheets



(56)

References Cited

U.S. PATENT DOCUMENTS

2,481,726 A	9/1949	Muschamp	5,653,563 A	8/1997	Ernst et al.
2,648,258 A	8/1953	Simpson	5,677,505 A	10/1997	Dittrich
2,654,319 A *	10/1953	Roske 102/467	5,703,322 A	12/1997	Tidman
2,862,446 A	8/1955	Ringdal	5,708,231 A	1/1998	Koon
2,915,947 A	12/1959	Heeley	5,770,815 A	6/1998	Watson
2,918,868 A	12/1959	Ringdal	5,893,959 A	4/1999	Muelligh
2,995,090 A	8/1961	Daubenspeck	5,969,288 A	10/1999	Baud
3,078,765 A	2/1963	Falcone et al.	6,048,379 A	4/2000	Bray et al.
3,099,958 A	8/1963	Daubenspeck et al.	6,074,454 A	6/2000	Abrams et al.
3,123,003 A	3/1964	Lange, Jr. et al.	6,101,949 A	8/2000	Maucourt et al.
3,144,827 A	8/1964	Boutwell et al.	6,131,519 A	10/2000	Thiesen et al.
3,333,506 A	8/1967	Henshaw et al.	6,257,149 B1	7/2001	Cesaroni
3,336,871 A	8/1967	Quinlan	6,283,035 B1	9/2001	Olson et al.
3,485,170 A	11/1967	Scanlon	6,367,386 B1	4/2002	Brede et al.
3,609,904 A	10/1971	Scanlon	6,439,123 B1	8/2002	Dionne et al.
3,650,176 A	3/1972	Lindner	6,523,476 B1	2/2003	Riess et al.
3,659,528 A	5/1972	Santala	6,539,874 B2	4/2003	Weise
3,706,260 A	12/1972	Rausing	6,584,909 B2	7/2003	Brede et al.
3,726,218 A	4/1973	Austin, Jr.	6,598,536 B2	7/2003	Burri
3,745,924 A	7/1973	Scanlon	6,600,002 B2 *	7/2003	Sanderson et al. 528/78
3,749,020 A	7/1973	Weyhmuller	6,748,870 B2	6/2004	Heidenreich et al.
3,749,023 A	7/1973	Kawaguchi et al.	6,752,084 B1	6/2004	Husseini et al.
3,785,293 A	1/1974	Barr	6,832,557 B2	12/2004	Torsten
3,797,396 A	3/1974	Reed	6,845,716 B2	1/2005	Husseini et al.
3,808,974 A	5/1974	Herter	6,862,993 B1	3/2005	Cudazzo
3,818,834 A	6/1974	Baumgartener	6,886,467 B1	5/2005	Haeselich
3,830,157 A	8/1974	Donnard et al.	7,032,492 B2	4/2006	Meshirer
3,842,739 A	10/1974	Scanlon et al.	7,059,234 B2	6/2006	Husseini
3,855,686 A	12/1974	Snyder	7,086,336 B2	8/2006	Smalley, Jr. et al.
3,874,294 A	4/1975	Hale	7,165,496 B2	1/2007	Reynolds
3,913,445 A	10/1975	Grandy	7,204,191 B2	4/2007	Wiley et al.
3,935,816 A	2/1976	Boquette, Jr.	7,213,519 B2	5/2007	Wiley et al.
3,955,506 A	5/1976	Luther et al.	7,231,519 B2	6/2007	Joseph et al.
3,977,326 A *	8/1976	Anderson et al. 102/467	7,406,908 B1	8/2008	Goon et al.
3,983,990 A	10/1976	Gardy et al.	7,441,504 B2	10/2008	Husseini et al.
3,990,366 A	11/1976	Scanlon	7,610,858 B2	11/2009	Chung
3,999,482 A	12/1976	Bilek	7,938,067 B2	5/2011	Dindl
4,004,491 A	1/1977	Seeling	8,087,359 B2	1/2012	Sauvestre
4,147,107 A	4/1979	Ringdal	8,146,281 B2	4/2012	Zimmerman
4,165,943 A	8/1979	Beach et al.	8,151,683 B2	4/2012	Dick et al.
4,173,186 A *	11/1979	Dunham 102/430	8,240,252 B2	8/2012	Maljkovic et al.
4,187,271 A *	2/1980	Rolston et al. 264/258	8,342,072 B2	1/2013	Abbott
4,359,925 A	11/1982	Abet et al.	8,443,730 B2 *	5/2013	Padgett 102/466
4,469,027 A	9/1984	Burns et al.	2003/0019385 A1	1/2003	Leasure et al.
4,474,102 A	10/1984	Tassie	2003/0167952 A1	9/2003	Heidenreich et al.
4,498,396 A	2/1985	Berube	2003/0172775 A1	9/2003	Amick
4,546,704 A	10/1985	Ballreich et al.	2004/0011237 A1	1/2004	Khvichia et al.
4,553,479 A	11/1985	Willoughby	2005/0188879 A1	9/2005	Wiley et al.
4,562,768 A	1/1986	Weinfurth et al.	2005/0188883 A1	9/2005	Husseini et al.
H61 H	5/1986	Yuhash et al.	2005/0257711 A1 *	11/2005	Husseini et al. 102/466
4,620,485 A	11/1986	Bertiller	2006/0011087 A1	1/2006	Husseini et al.
4,683,170 A	7/1987	Tse et al.	2006/0102041 A1	5/2006	Wiley et al.
4,697,523 A	10/1987	Saxby	2006/0207464 A1	9/2006	Maljkovic et al.
4,719,859 A	1/1988	Ballreich et al.	2007/0214992 A1	9/2007	Dittrich
4,726,296 A	2/1988	Leshner et al.	2007/0261587 A1	11/2007	Chung
4,738,202 A	4/1988	Hebert	2008/0245219 A1	10/2008	Moucheboeuf et al.
4,790,231 A	12/1988	Stoner	2009/0044717 A1	2/2009	Husseini et al.
4,803,926 A	2/1989	Barton et al.	2009/0151710 A1	6/2009	Zimmerman
4,809,612 A	3/1989	Ballreich et al.	2009/0249947 A1	10/2009	Coiffet et al.
4,841,837 A	6/1989	Novet	2010/0056687 A1	3/2010	Diakoumakos et al.
5,033,386 A	7/1991	Vatsvog	2010/0275804 A1	11/2010	Trivette
5,063,853 A	11/1991	Bilgeri	2010/0282112 A1	11/2010	Battaglia
5,151,555 A	9/1992	Vatsvog	2010/0305261 A1	12/2010	Maljkovic et al.
5,165,040 A	11/1992	Andersson et al.	2011/0000391 A1	1/2011	Heitmann
5,233,928 A	8/1993	Ducros et al.	2011/0179965 A1	7/2011	Mason
5,237,930 A	8/1993	Belanger et al.	2011/0214583 A1	9/2011	Dutch
5,259,288 A *	11/1993	Vatsvog 86/10	2011/0252999 A1	10/2011	Carlson et al.
5,259,319 A	11/1993	Dravecky et al.	2011/0290143 A1	12/2011	Heitmann et al.
5,277,119 A	1/1994	Ricco	2012/0024183 A1	2/2012	Klein
5,359,937 A	11/1994	Dittrich	2012/0060716 A1	3/2012	Davies et al.
5,460,096 A	10/1995	Kothe	2012/0111219 A1	5/2012	Burrow
5,492,063 A	2/1996	Dittrich	2012/0144712 A1	6/2012	Rostocil
5,507,232 A	4/1996	Valdez	2012/0174813 A1	7/2012	Battaglia
5,563,365 A	10/1996	Dineen et al.	2012/0180687 A1	7/2012	Padgett
5,616,642 A	4/1997	West et al.	2012/0180688 A1	7/2012	Padgett
			2012/0318128 A1	12/2012	Gotie
			2013/0014664 A1	1/2013	Padgett
			2013/0025490 A1	1/2013	Burczynski

(56)

References Cited

U.S. PATENT DOCUMENTS

2013/0186294 A1 7/2013 Davies et al.
2014/0060372 A1 3/2014 Padgett
2014/0069290 A1* 3/2014 Padgett et al. 102/466

FOREIGN PATENT DOCUMENTS

DE 3344369 A1 6/1985
EP 0096617 12/1983
EP 0444545 A1 9/1991
EP 0526317 A1 2/1993
FR 1081764 A 12/1954
GB 2092274 8/1982
WO WO 88/09476 A1 12/1988
WO WO 95/13516 A1 5/1995
WO WO 2006/094987 9/2006
WO WO 2010/129781 11/2010

WO WO 2012/047615 A1 4/2012
WO WO 2012/097317 A2 7/2012
WO WO 2012/097317 A3 7/2012
WO WO 2012/097320 A1 7/2012

OTHER PUBLICATIONS

File history of U.S. Appl. No. 61/456,664, which corresponds to US2012/0111219.

International Search Report, dated Aug. 24, 2012, which issued during the prosecution of International Patent Application No. PCT/US2012/021345.

International Search Report, dated May 23, 2012, which issued during the prosecution of International Patent Application No. PCT/US2012/021350.

Extended European Search Report dated May 15, 2014, from European Application Application No. 14161688.8.

* cited by examiner

FIG. 1

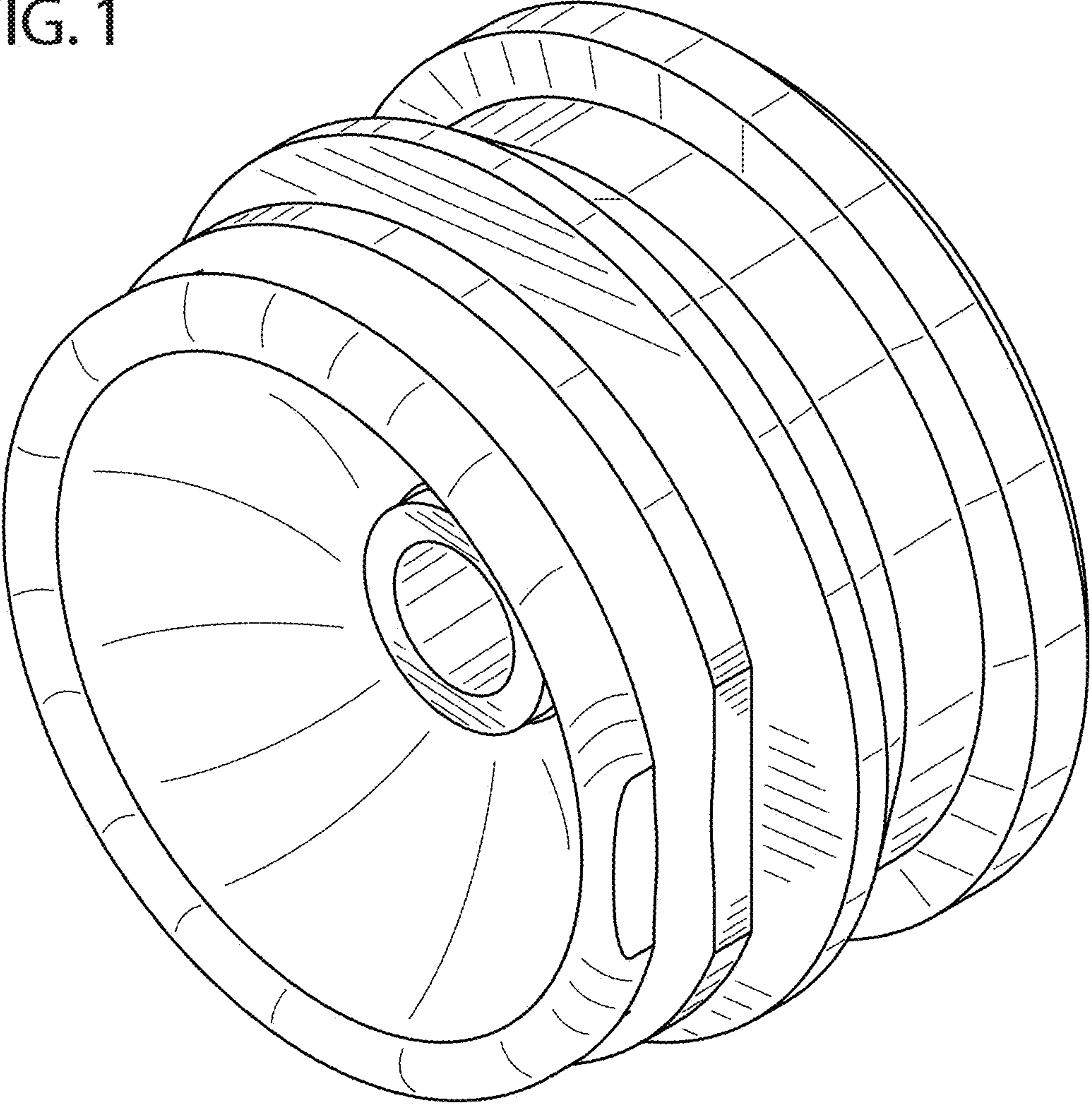


FIG. 2

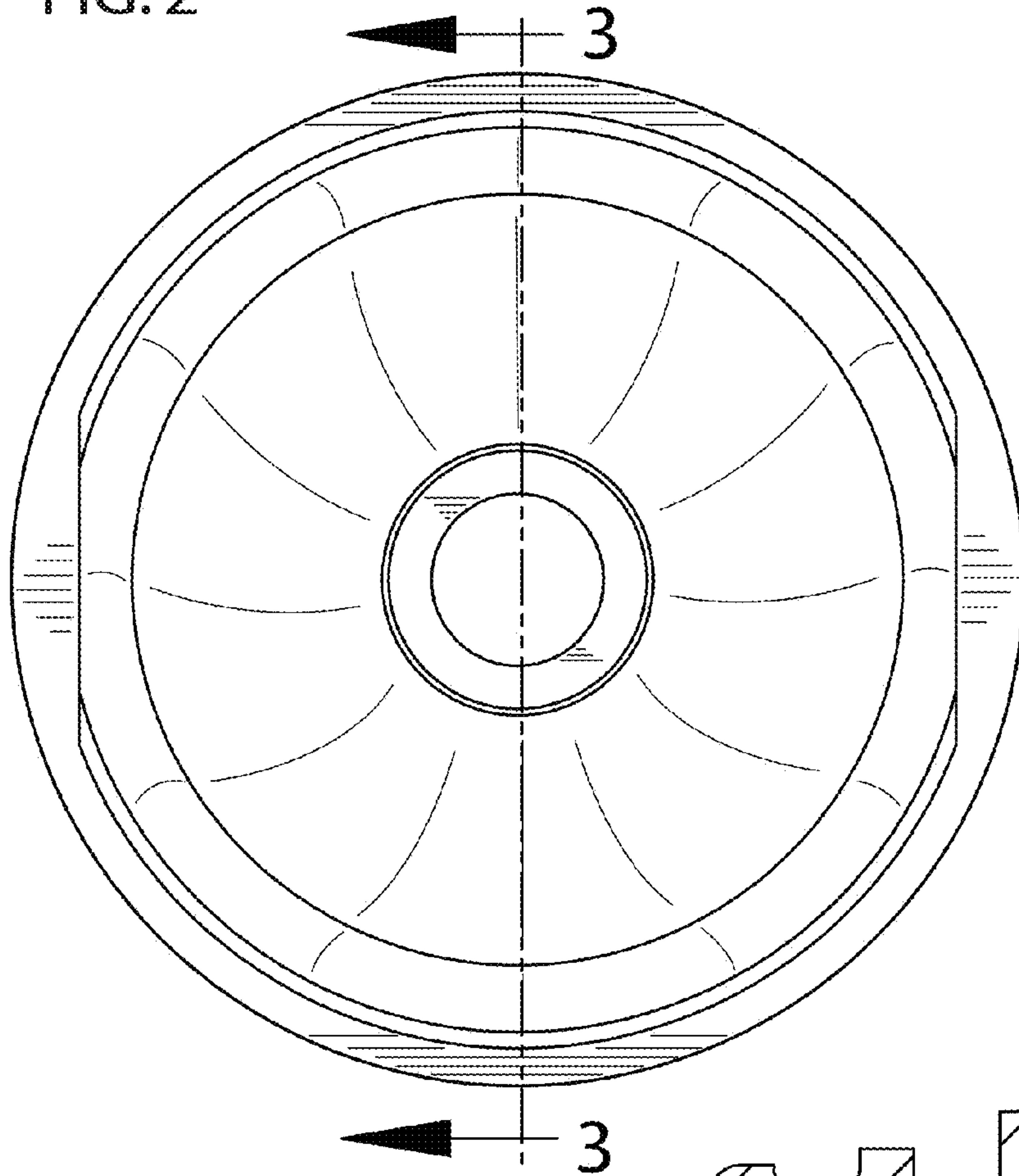


FIG. 3

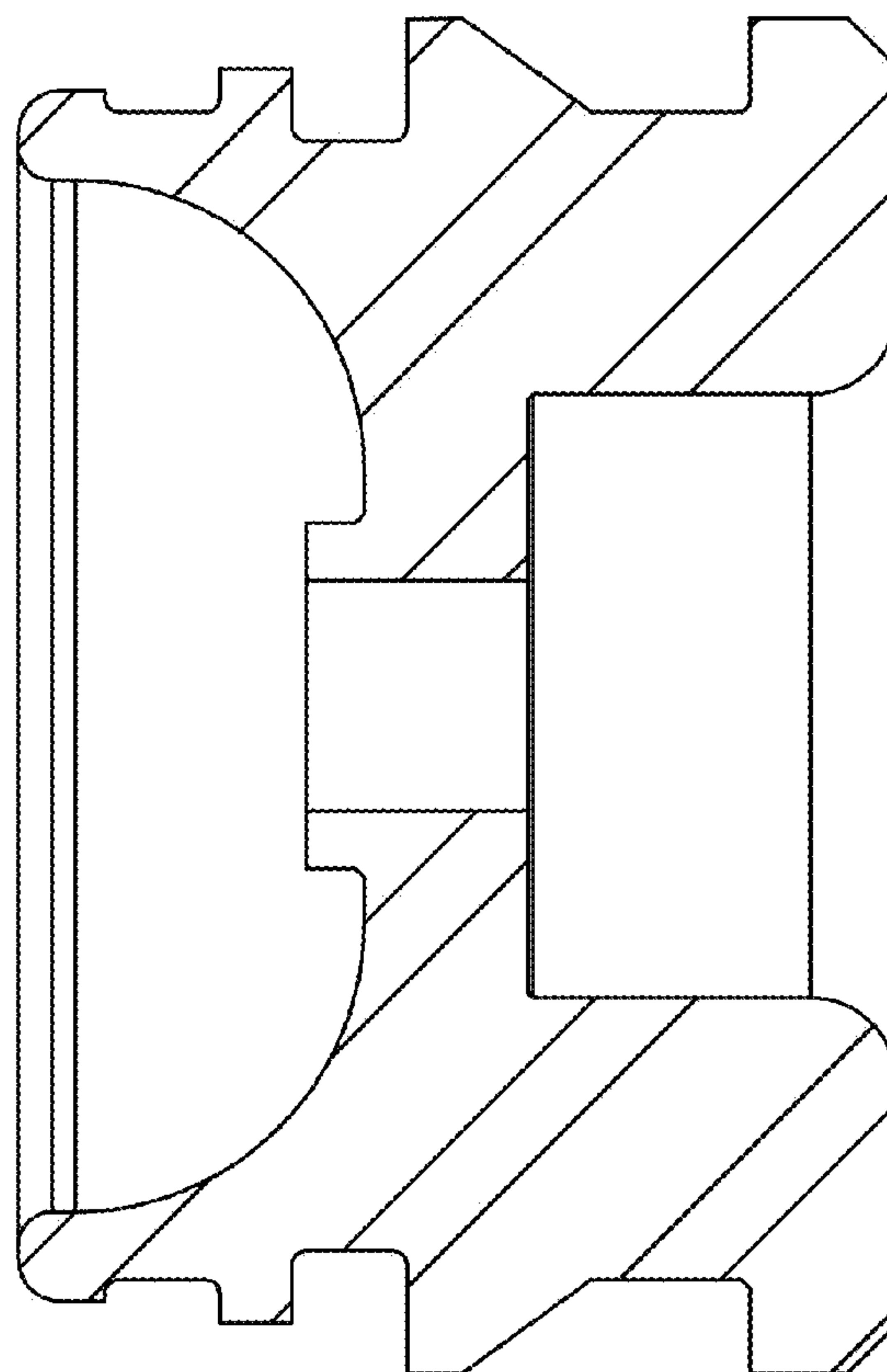


FIG. 4

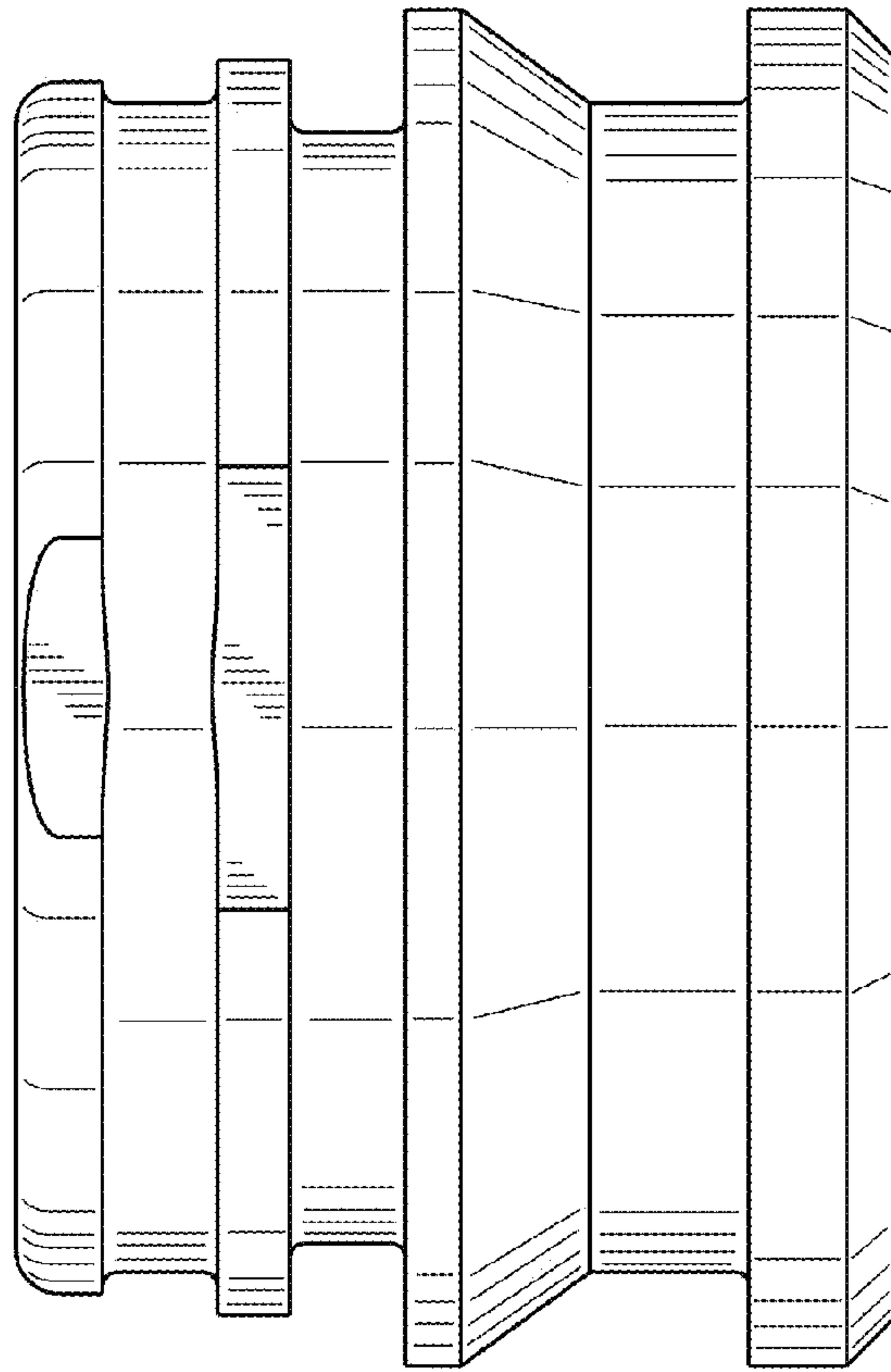


FIG. 5

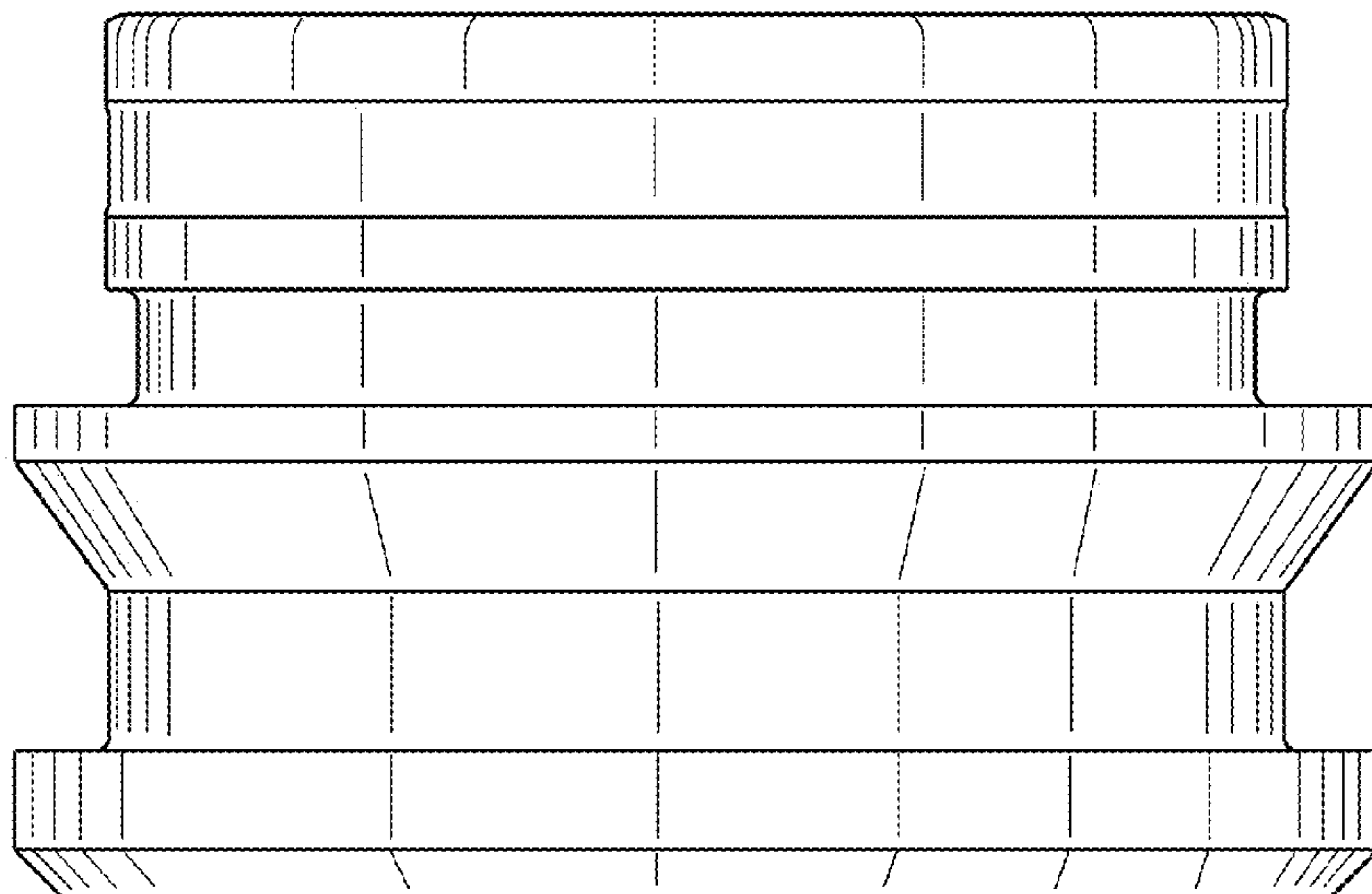


FIG. 6

