



US00D715887S

(12) **United States Design Patent**
Friedman et al.

(10) **Patent No.:** **US D715,887 S**

(45) **Date of Patent:** **** Oct. 21, 2014**

(54) **BARREL MOUNTED DUAL BRACKET**

(71) Applicants: **Jason Friedman**, Randolph, NJ (US);
John Labar, Bangor, PA (US)

(72) Inventors: **Jason Friedman**, Randolph, NJ (US);
John Labar, Bangor, PA (US)

(73) Assignee: **The United States of America as
Represented by the Secretary of the
Army**, Washington, DC (US)

(**) Term: **14 Years**

(21) Appl. No.: **29/451,734**

(22) Filed: **Apr. 8, 2013**

(51) **LOC (10) Cl.** **22-01**

(52) **U.S. Cl.**
USPC **D22/109**

(58) **Field of Classification Search**
USPC D22/108; 42/11, 113, 116, 119, 124,
42/125, 127, 90, 145, 128, 72, 106, 114,
42/85, 75.02, 71.01; 248/205.1, 201;
89/37.03–37.04, 41.17

See application file for complete search history.

(56) **References Cited**

U.S. PATENT DOCUMENTS

7,870,689 B2 * 1/2011 Dextraze 42/126
8,146,283 B2 * 4/2012 Genes et al. 42/90

8,336,244 B2 * 12/2012 Peterson et al. 42/90
8,490,312 B2 * 7/2013 Barrett et al. 42/75.02
8,584,393 B2 * 11/2013 McCrimmon et al. 42/115
8,695,265 B2 * 4/2014 Dextraze 42/115
2011/0100203 A1 * 5/2011 Genes et al. 89/9
2012/0325077 A1 * 12/2012 Davis et al. 89/37.01
2013/0199069 A1 * 8/2013 Kerbrat et al. 42/1.06
2014/0075814 A1 * 3/2014 Larson et al. 42/72

* cited by examiner

Primary Examiner — Michael A Pratt

(74) *Attorney, Agent, or Firm* — Henry S. Goldfine

(57) **CLAIM**

The ornamental design for a barrel mounted dual bracket, as shown and described.

DESCRIPTION

The invention described and claimed herein may be manufactured, used, and licensed by or for the U.S. Government for U.S. Government purposes.

FIG. 1 is a front view showing our new design;

FIG. 2 is a top view thereof;

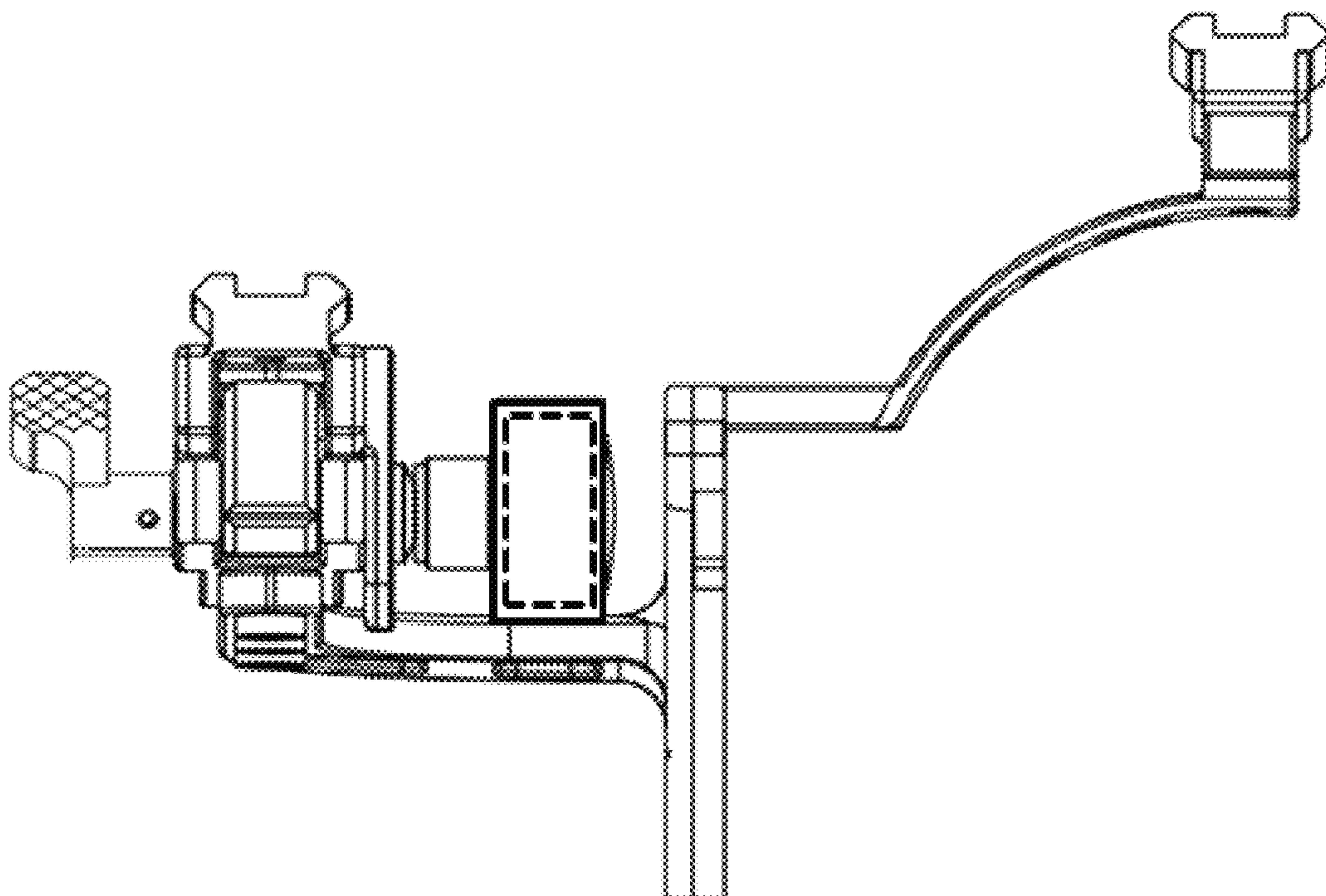
FIG. 3 is a left side view thereof;

FIG. 4 is a right side view thereof; and,

FIG. 5 is a perspective view thereof, as seen from the left side rear.

The broken lines in FIGS. 1 through 4 are included for the purpose of illustrating a portion of the barrel mounted design that forms no part of the claimed design.

1 Claim, 3 Drawing Sheets



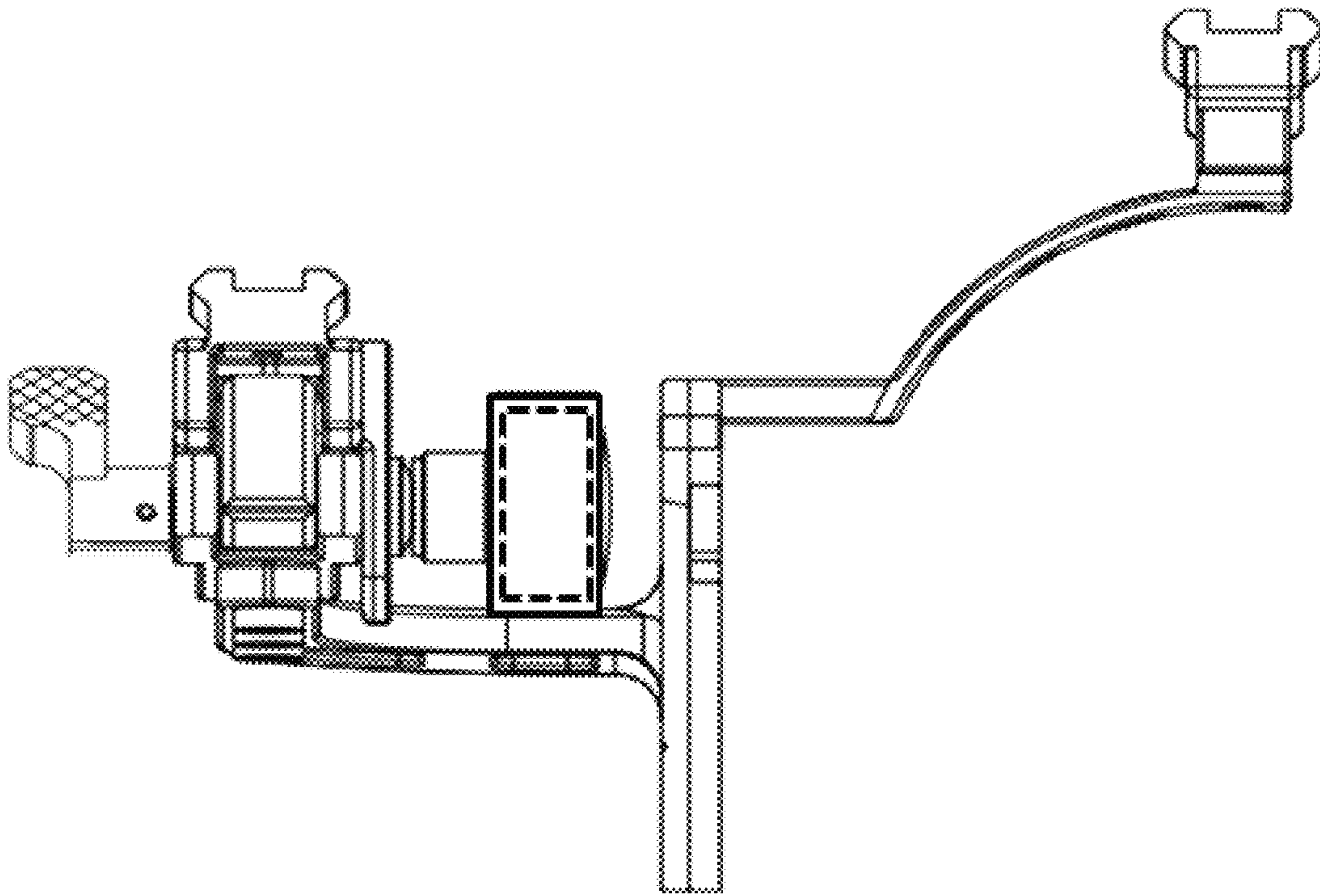


FIG 1

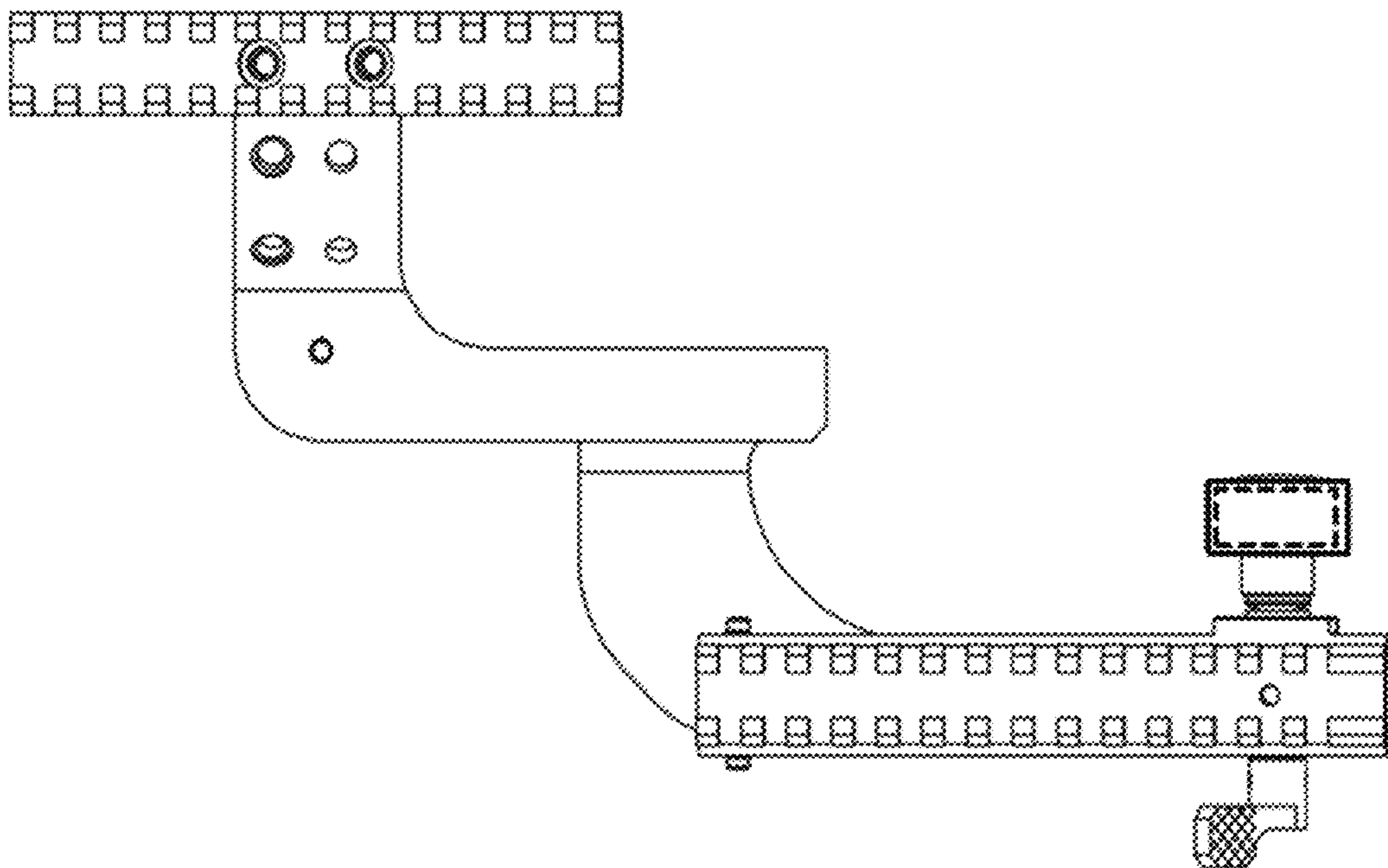


FIG 2

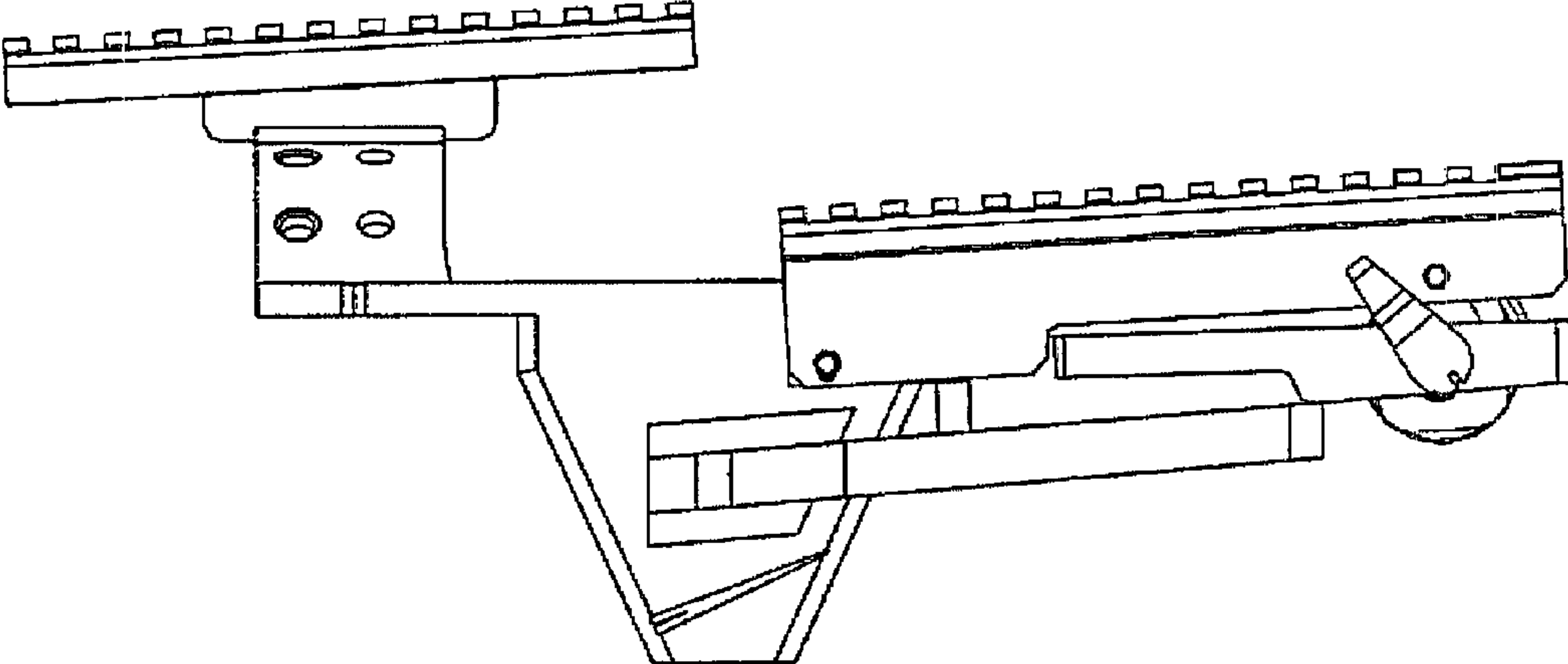


FIG 3.

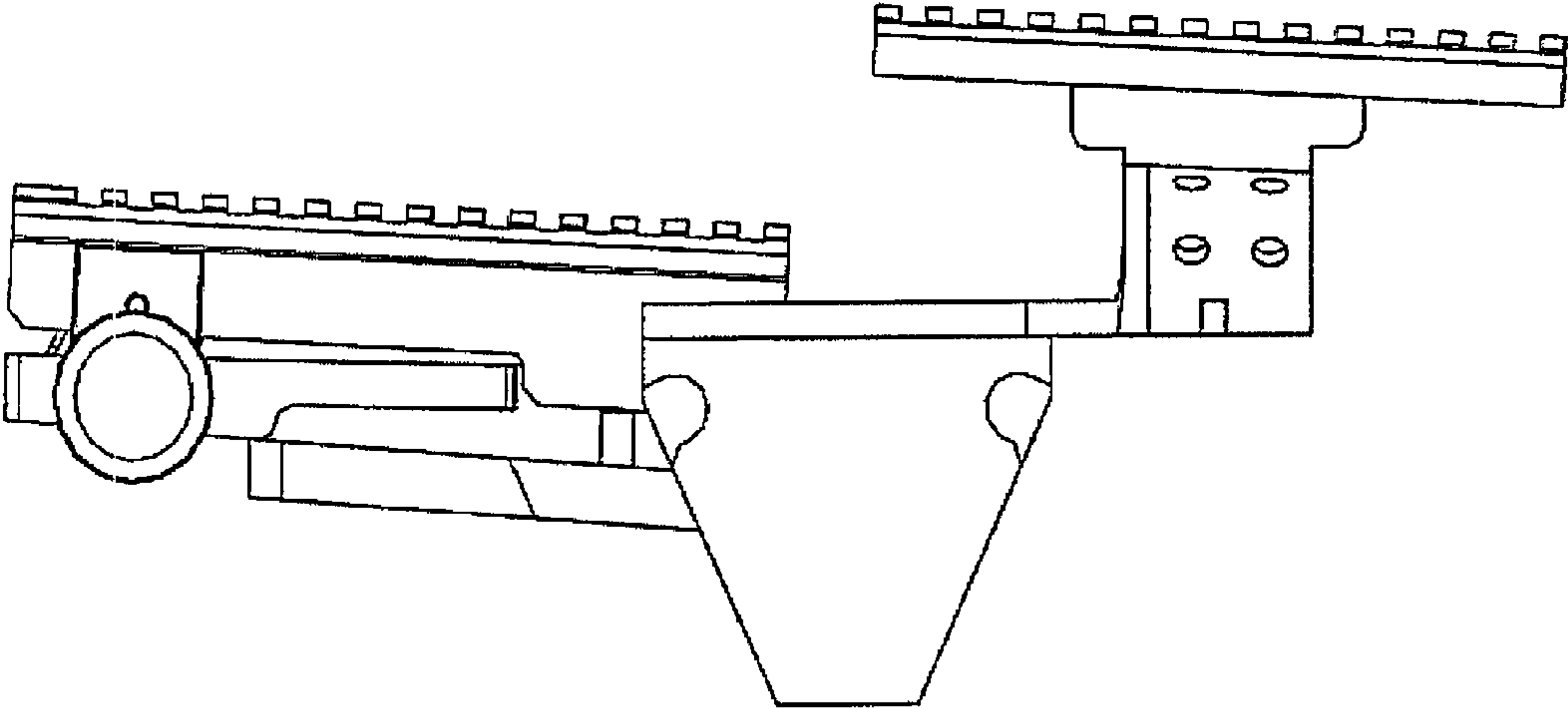


FIG 4.

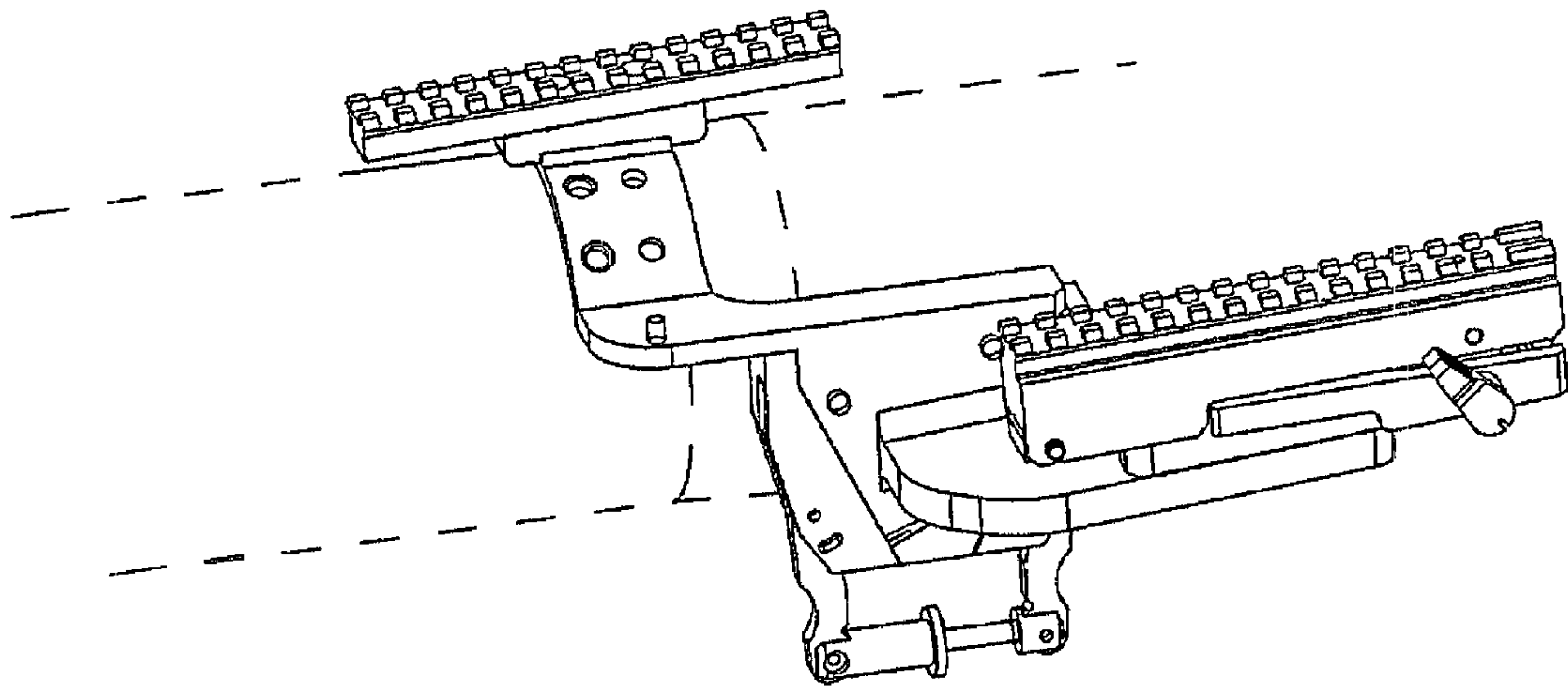


FIG 5.