



US00D715886S

(12) **United States Design Patent**
Pittman

(10) **Patent No.:** **US D715,886 S**

(45) **Date of Patent:** **** Oct. 21, 2014**

(54) **LIGHT MOUNT**

(75) Inventor: **Earl L. Pittman**, Fort Collins, CO (US)

(73) Assignee: **Impact Weapons Components, LLC**,
Timnath, CO (US)

(**) Term: **14 Years**

(21) Appl. No.: **29/407,155**

(22) Filed: **Nov. 23, 2011**

(51) **LOC (10) Cl.** **22-01**

(52) **U.S. Cl.**
USPC **D22/109**

(58) **Field of Classification Search**
USPC D22/108-109; 42/123-124, 127,
42/131-132, 146; 362/110-120;
D26/24-27, 38, 40, 42, 46-47, 51, 60,
D26/113, 118, 130-133, 136
See application file for complete search history.

(56) **References Cited**

U.S. PATENT DOCUMENTS

3,424,420	A *	1/1969	Seiderman	42/127
3,877,166	A *	4/1975	Ward	42/127
5,040,322	A *	8/1991	Iturrey, Jr.	42/146
5,375,361	A *	12/1994	Rustick	42/125
5,694,712	A *	12/1997	Plonka	42/124
7,134,234	B1 *	11/2006	Makarounis	42/146
7,441,364	B2 *	10/2008	Rogers et al.	42/146

7,562,484	B2 *	7/2009	Kim	42/114
8,171,666	B2 *	5/2012	Karagias	42/124
8,220,946	B1 *	7/2012	Teetzel	362/110
8,312,668	B2 *	11/2012	Kincel	42/146
8,316,574	B1 *	11/2012	Swan	42/146
D673,638	S *	1/2013	Mayberry et al.	D22/108
8,484,879	B2 *	7/2013	Riley et al.	42/115
8,572,885	B2 *	11/2013	Karagias	42/124
2012/0180370	A1 *	7/2012	McKinley	42/146

* cited by examiner

Primary Examiner — Michael A Pratt

(74) *Attorney, Agent, or Firm* — Cooley LLP

(57) **CLAIM**

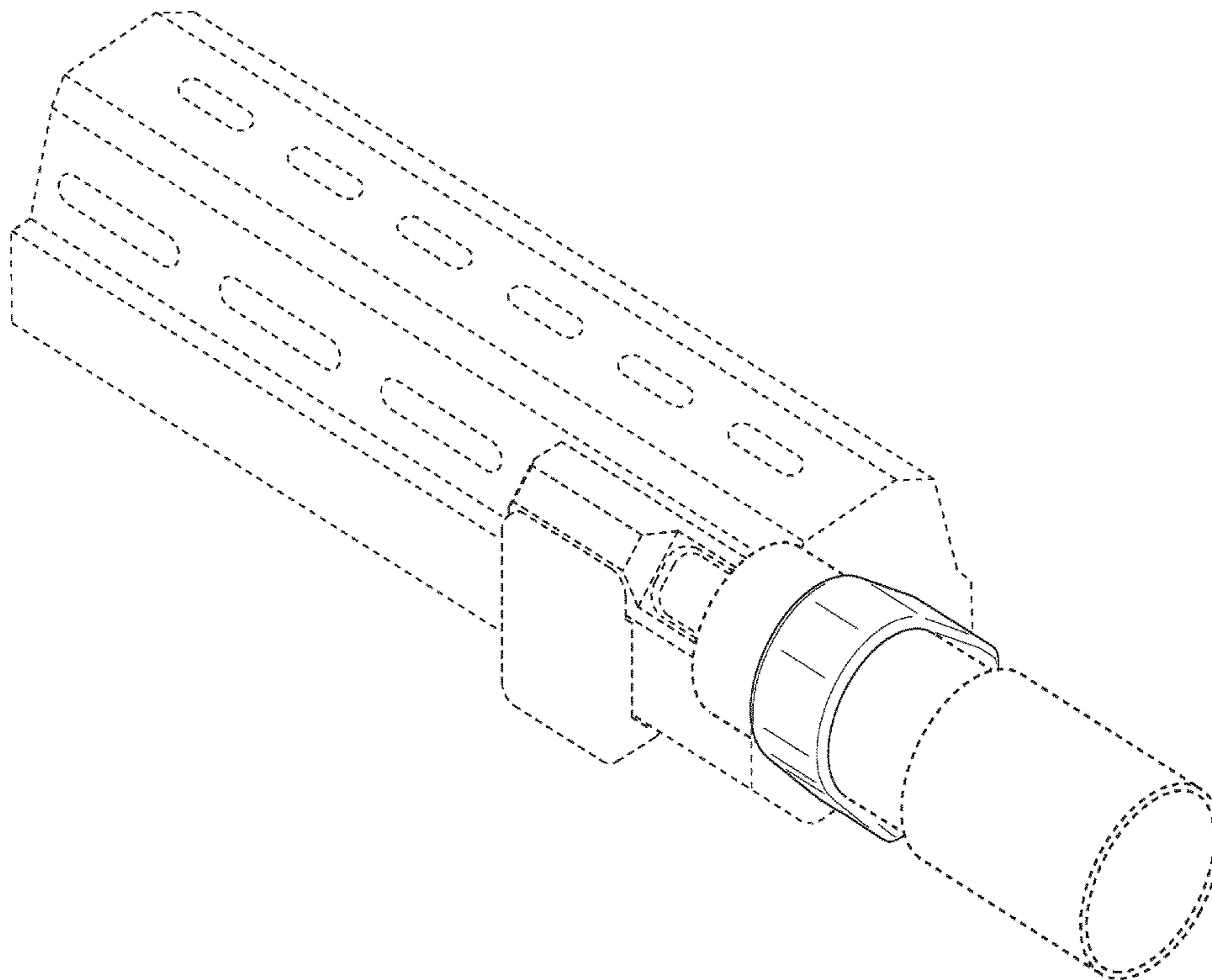
The ornamental design for a light mount, as shown and described.

DESCRIPTION

FIG. 1 is a perspective view;
FIG. 2 is another perspective view;
FIG. 3 is another perspective view;
FIG. 4 is a top view;
FIG. 5 is a bottom view;
FIG. 6 is a front view;
FIG. 7 is a back view;
FIG. 8 is a left side view; and,
FIG. 9 is a right side view.

The broken lines immediately adjacent the shaded areas represent the bounds of the claimed design while all other broken lines are directed to environment and are for illustrative purposes only; the broken lines form no part of the claimed design.

1 Claim, 5 Drawing Sheets



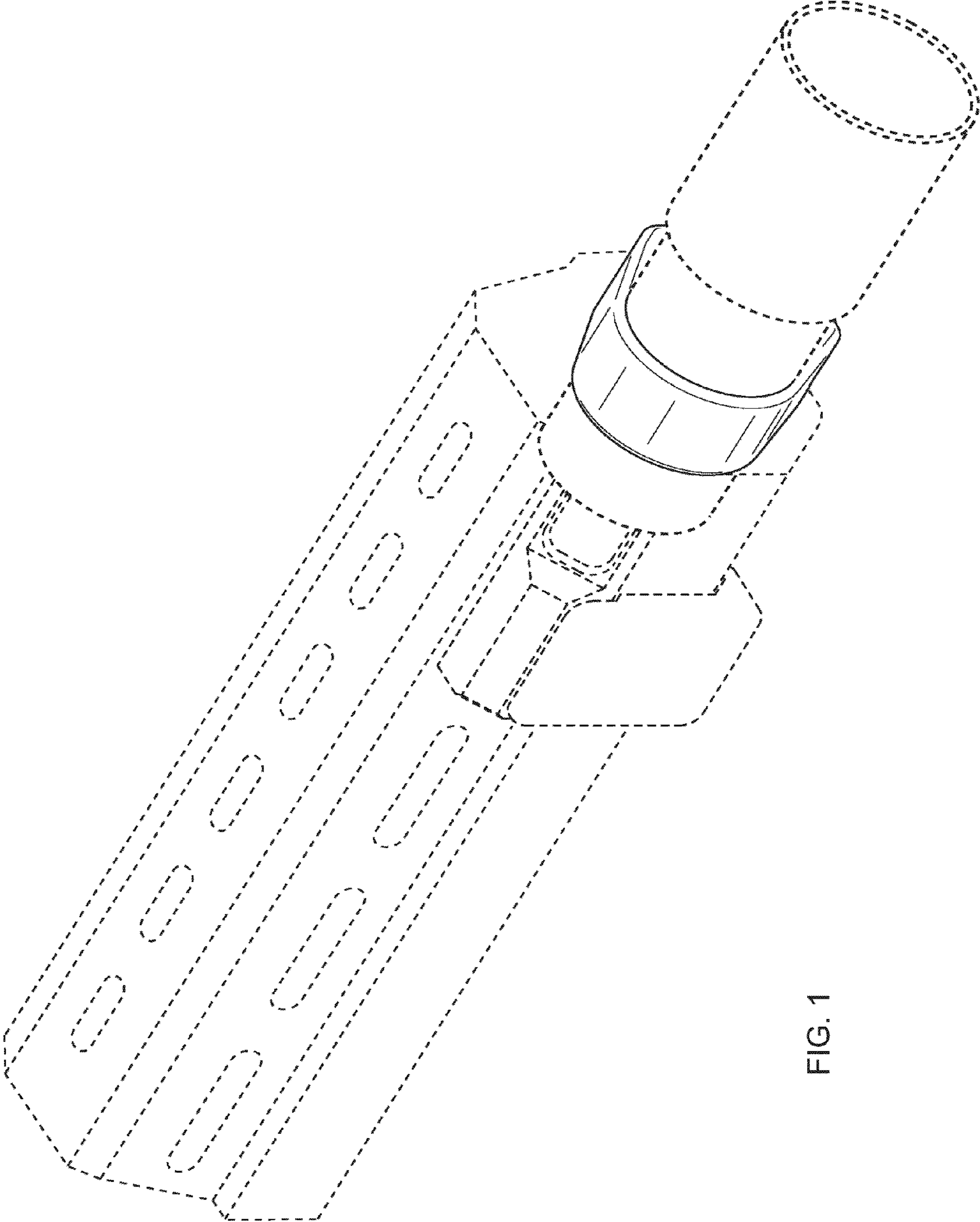


FIG. 1

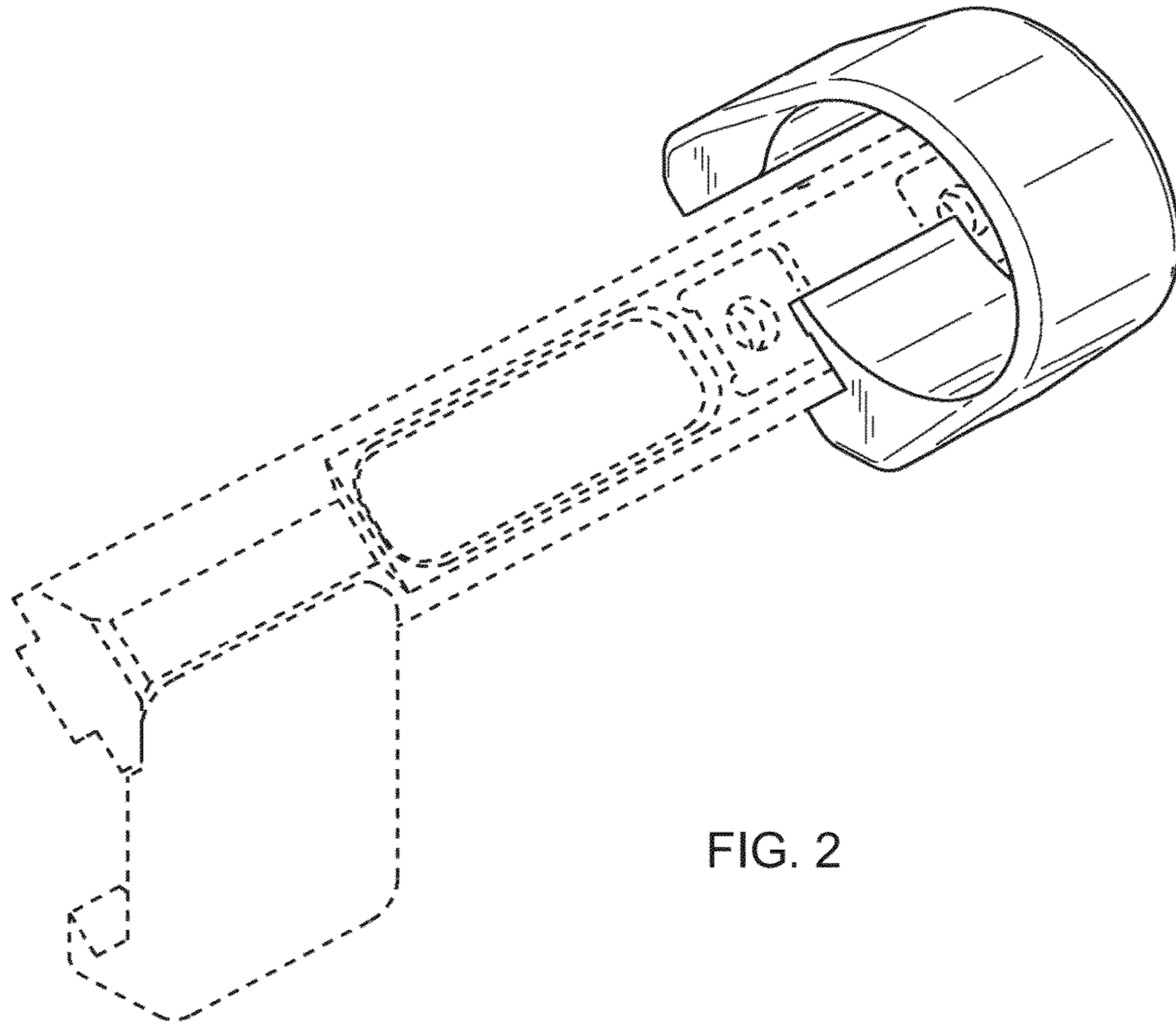


FIG. 2

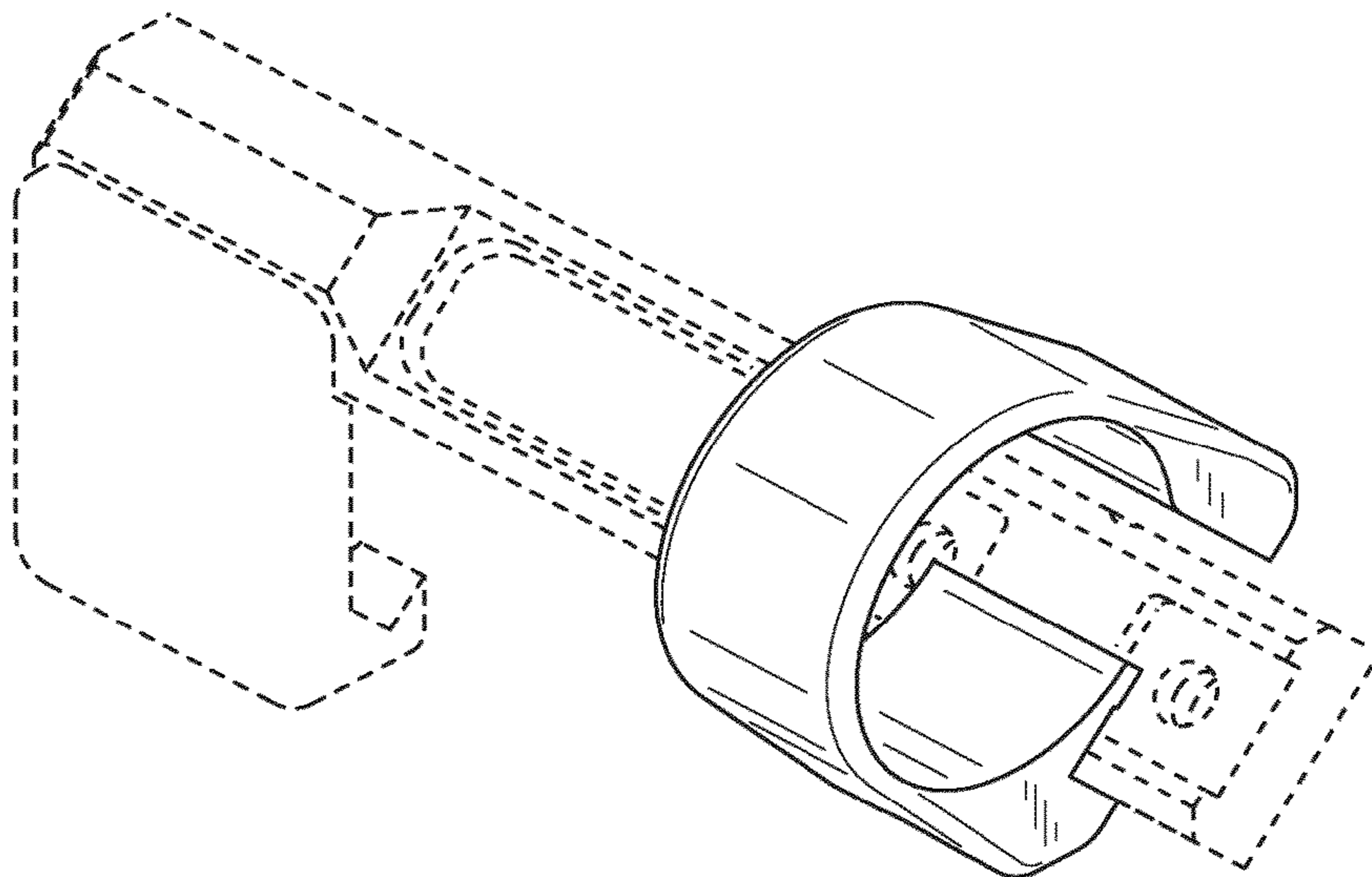


FIG. 3

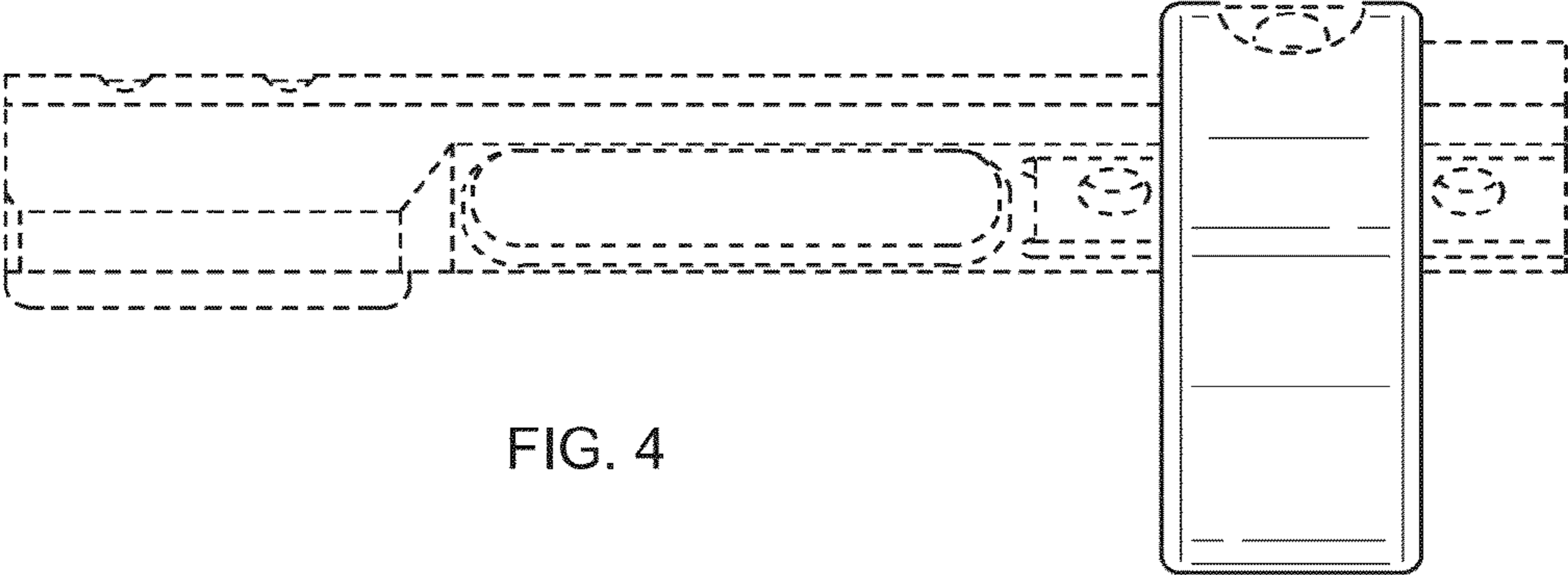


FIG. 4

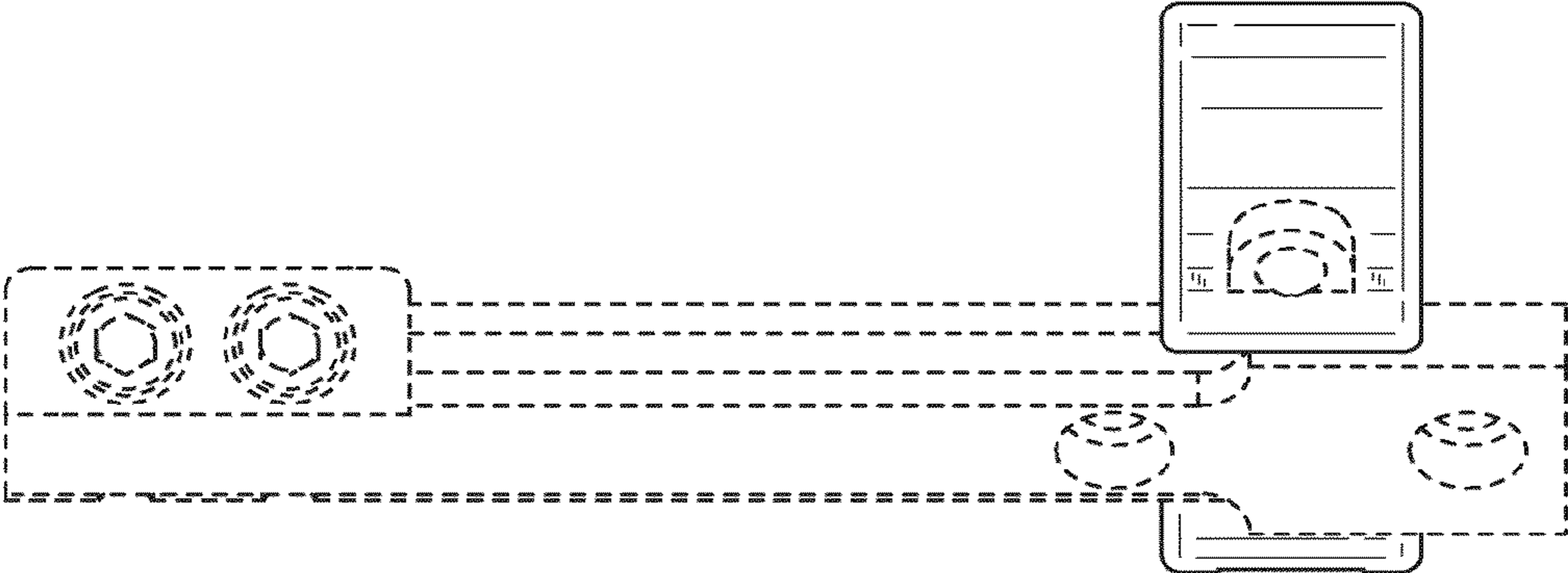


FIG. 5

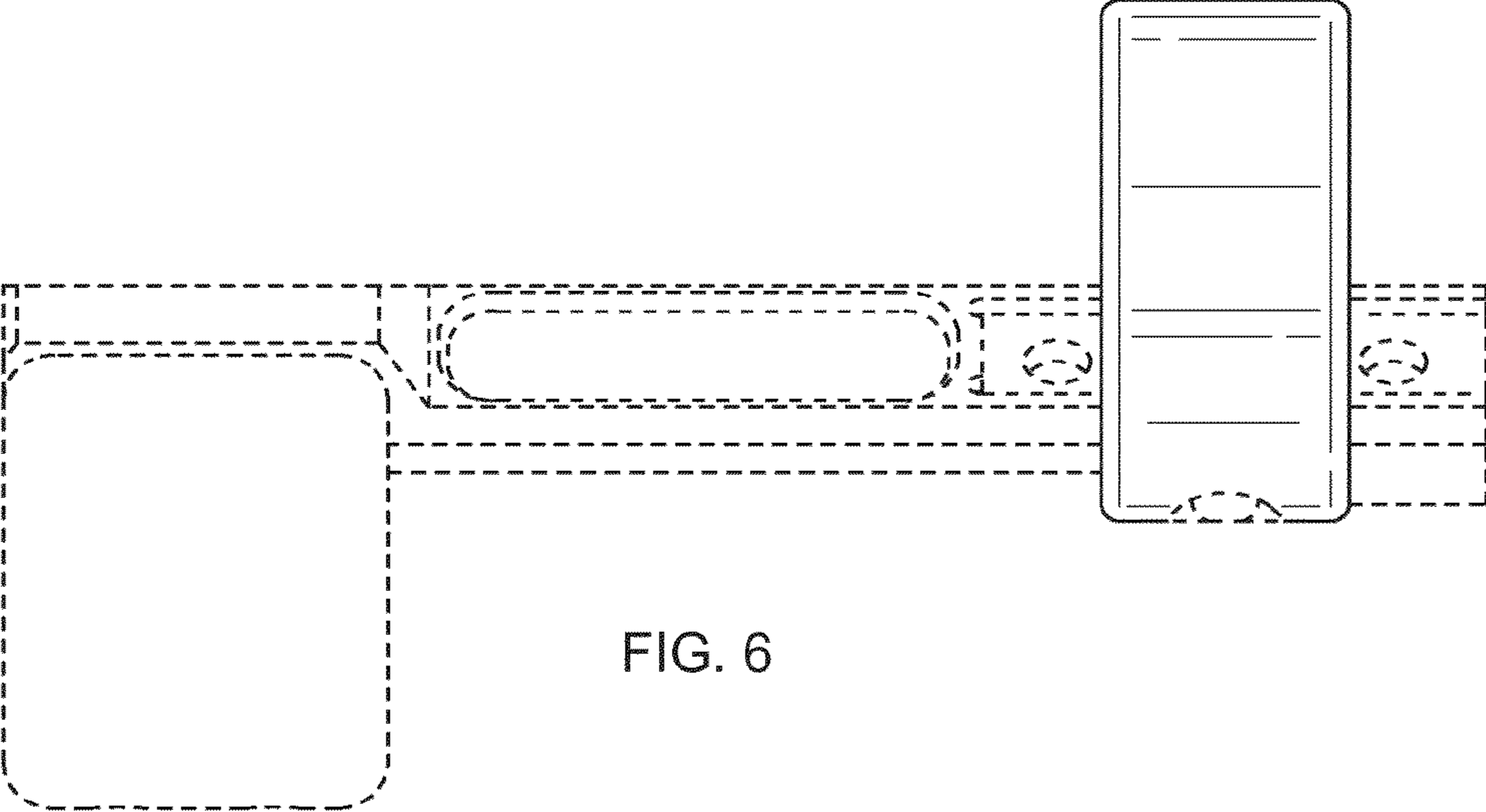


FIG. 6

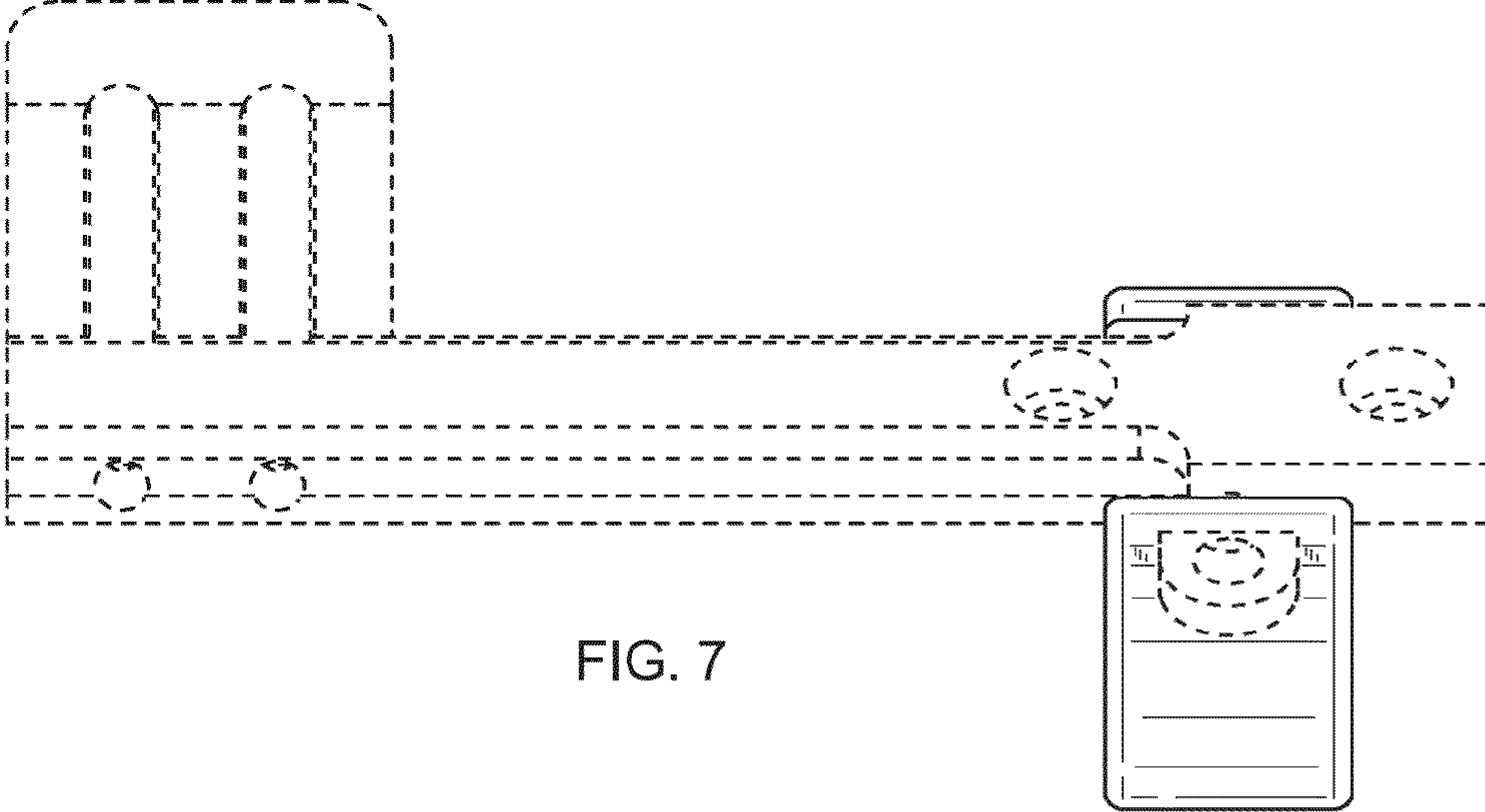


FIG. 7

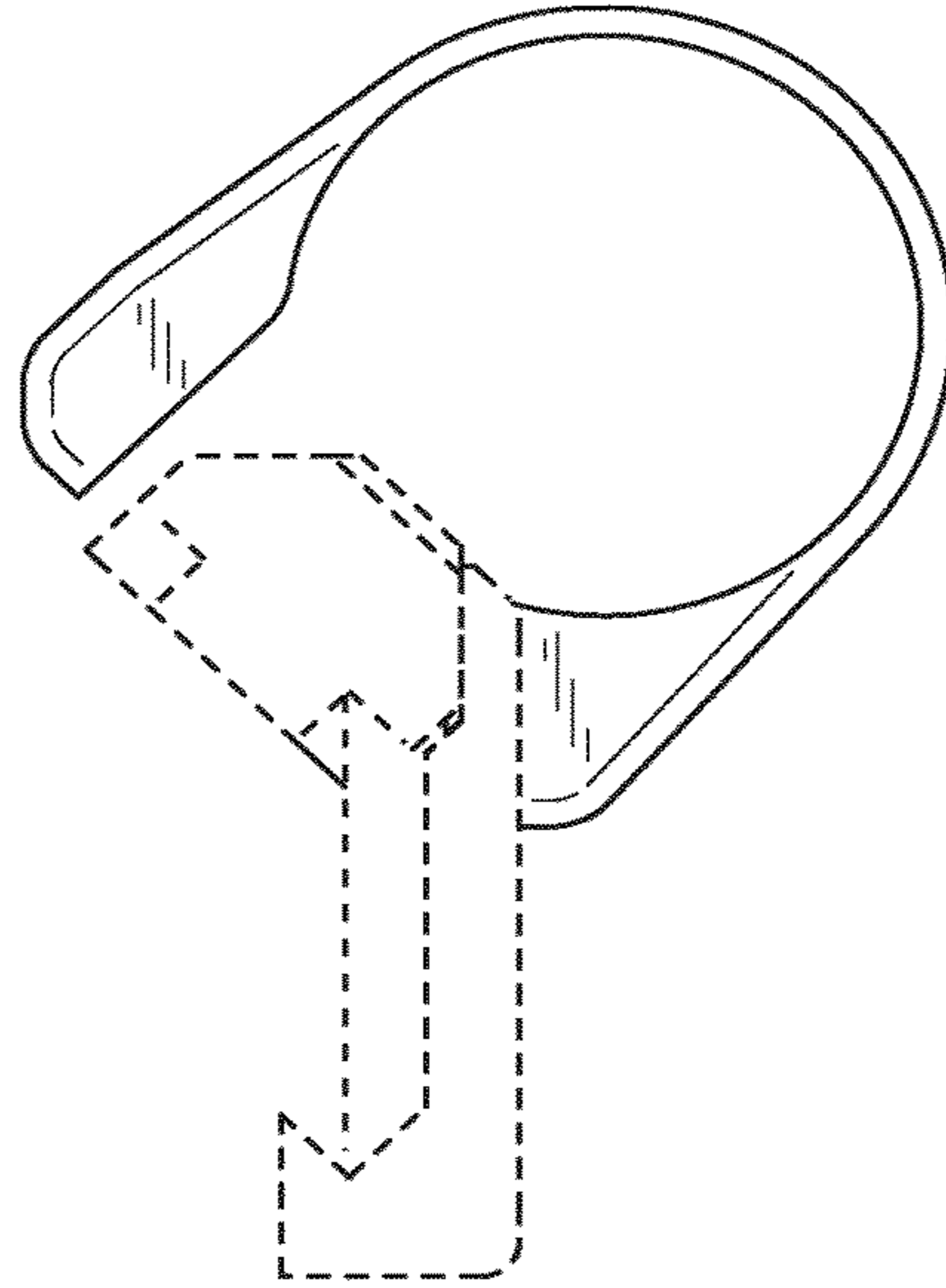


FIG. 8

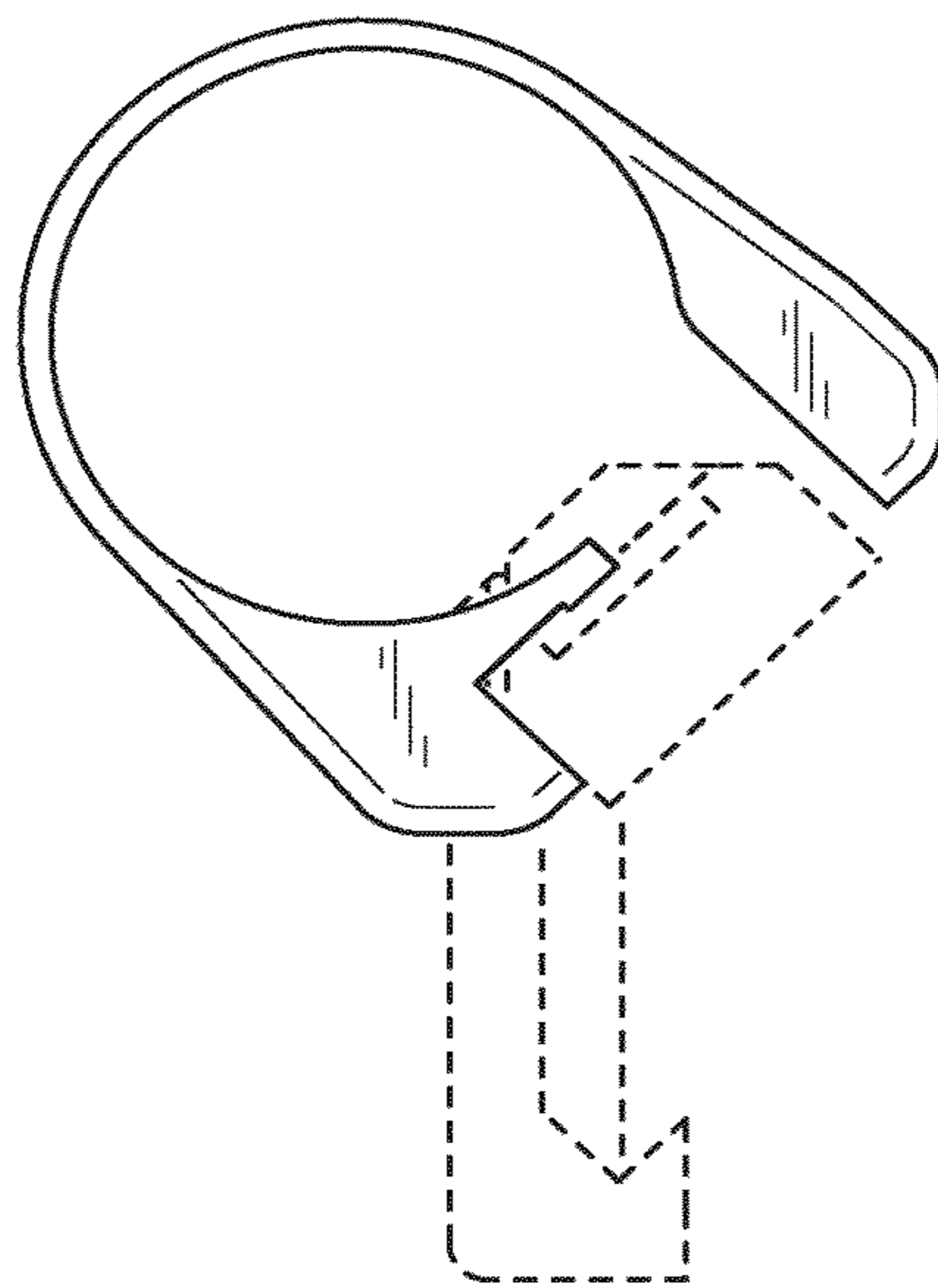


FIG. 9