



US00D715885S

(12) **United States Design Patent**
Silvers et al.

(10) **Patent No.:** **US D715,885 S**
(45) **Date of Patent:** **** Oct. 21, 2014**

(54) **PORTION OF A FIREARM HANDGUARD**

DESCRIPTION

(71) Applicant: **RA Brands, L.L.C.**, Madison, NC (US)

(72) Inventors: **Robert Silvers**, Marshfield, MA (US);
Eric C. Burt, Boulder, CO (US)

(73) Assignee: **RA Brands, L.L.C.**, Madison, NC (US)

(**) Term: **14 Years**

(21) Appl. No.: **29/443,029**

(22) Filed: **Jan. 11, 2013**

(51) **LOC (10) Cl.** **22-01**

(52) **U.S. Cl.**
USPC **D22/108**

(58) **Field of Classification Search**
USPC D22/103, 108; D21/572-575; 89/40.06,
89/41.19, 37.04, 33.04, 191.01, 200-204;
124/67, 66, 72, 74; 42/71.01

See application file for complete search history.

(56) **References Cited**

U.S. PATENT DOCUMENTS

2,102,964 A 12/1937 Mossberg
3,827,172 A 8/1974 Howe

(Continued)

FOREIGN PATENT DOCUMENTS

CA 117291 1/2008

OTHER PUBLICATIONS

Leapers H&K Handguard Picatinny / Weaver Rails MNT-P501 Product Info, accessed Oct. 2, 2012, <http://www.opticsplanet.com/leapers-h-k-handguard-picatinny-weaver-rails-mnt-p501.ht>.

(Continued)

Primary Examiner — Michael A Pratt

(74) *Attorney, Agent, or Firm* — Womble Carlyle Sandridge & Rice, LLP

(57) **CLAIM**

The ornamental design for a portion of a firearm handguard, as shown and described.

FIG. 1 is a front, left, top perspective view of a portion of a firearm handguard in accordance with a first embodiment of the present invention, wherein a centrally located pair of adjacent dashed lines is included for indicating that no particular length is being claimed;

FIG. 2 is a rear, right, top perspective view of the portion of the firearm handguard of FIG. 1;

FIG. 3 is a left elevation view of the portion of the firearm handguard of FIG. 1;

FIG. 4 is a right elevation view of the portion of the firearm handguard of FIG. 1;

FIG. 5 is a top plan view of the portion of the firearm handguard of FIG. 1;

FIG. 6 is a bottom plan view of the portion of the firearm handguard of FIG. 1;

FIG. 7 is a front elevation view of the portion of the firearm handguard of FIG. 1;

FIG. 8 is a rear elevation view of the portion of the firearm handguard of FIG. 1;

FIG. 9 is a left elevation view of the portion of the firearm handguard of FIG. 1;

FIG. 10 is a front, left, top perspective view of a portion of a firearm handguard in accordance with a second embodiment of the present invention, wherein a centrally located pair of adjacent dashed lines is included for indicating that no particular length is being claimed;

FIG. 11 is a rear, right, top perspective view of the portion of the firearm handguard of FIG. 10;

FIG. 12 is a left elevation view of the portion of the firearm handguard of FIG. 10;

FIG. 13 is a right elevation view of the portion of the firearm handguard of FIG. 10;

FIG. 14 is a top plan view of the portion of the firearm handguard of FIG. 10;

FIG. 15 is a bottom plan view of the portion of the firearm handguard of FIG. 10;

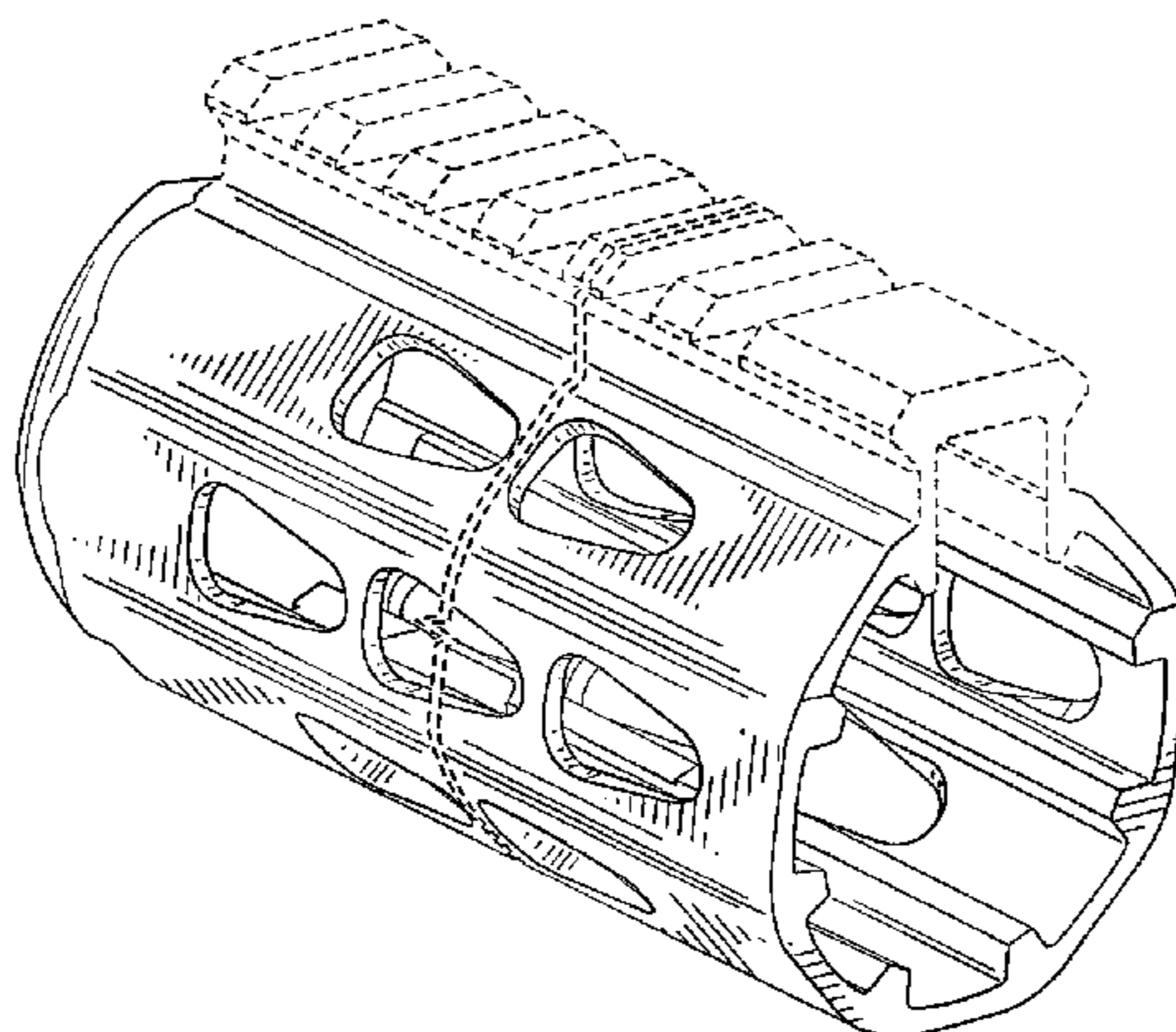
FIG. 16 is a front elevation view of the portion of the firearm handguard of FIG. 10;

FIG. 17 is a rear elevation view of the portion of the firearm handguard of FIG. 10; and,

FIG. 18 is a left elevation view of the portion of the firearm handguard of FIG. 10.

The broken lines shown herein are for illustrative purposes and form no part of the claimed design.

1 Claim, 10 Drawing Sheets



(56)

References Cited

U.S. PATENT DOCUMENTS

D300,161 S * 3/1989 Baldus et al. D22/108
 4,845,871 A 7/1989 Swan
 5,590,484 A 1/1997 Mooney et al.
 5,826,363 A * 10/1998 Olson 42/75.01
 6,490,822 B1 12/2002 Swan
 D477,855 S * 7/2003 Selvaggio D22/108
 6,655,069 B2 12/2003 Kim
 6,694,660 B1 2/2004 Davies
 6,839,998 B1 * 1/2005 Armstrong 42/71.01
 6,860,053 B2 * 3/2005 Christiansen 42/71.02
 7,131,228 B2 * 11/2006 Hochstrate et al. 42/75.01
 D537,901 S 3/2007 Elkaim
 D544,063 S * 6/2007 Swan D22/108
 RE40,216 E 4/2008 Swan
 D590,473 S * 4/2009 Fitzpatrick et al. D22/103
 D604,793 S * 11/2009 Fitzpatrick et al. D22/108
 D606,614 S 12/2009 Fitzpatrick et al.
 D607,958 S * 1/2010 Swan D22/108
 7,669,359 B2 3/2010 Kim
 D613,810 S * 4/2010 Gullledge D22/108
 D613,811 S * 4/2010 Swan D22/108
 D616,521 S * 5/2010 Starnes D22/108
 7,716,865 B2 5/2010 Daniel et al.
 7,770,317 B1 8/2010 Tankersley
 7,798,045 B1 * 9/2010 Fitzpatrick et al. 89/1.4
 7,908,784 B2 3/2011 Kim
 7,941,959 B1 5/2011 Swan
 D641,450 S * 7/2011 Ding D22/108
 D641,825 S 7/2011 Gridelet
 7,975,595 B2 7/2011 Robinson et al.
 8,091,265 B1 * 1/2012 Teetzel et al. 42/72

8,141,285 B2 3/2012 Brown
 8,191,300 B2 6/2012 Daniel
 8,201,353 B1 6/2012 Swan
 8,276,304 B2 10/2012 Samson et al.
 D670,783 S * 11/2012 Barrett D22/103
 8,336,243 B2 12/2012 Langevin et al.
 8,453,364 B2 * 6/2013 Kucynko 42/71.01
 2005/0268513 A1 12/2005 Battaglia
 2006/0048424 A1 * 3/2006 Weir 42/69.01
 2006/0236582 A1 * 10/2006 Lewis et al. 42/73
 2006/0277810 A1 * 12/2006 Leitner-Wise 42/75.03
 2007/0266611 A1 11/2007 Stover
 2011/0107643 A1 * 5/2011 Fitzpatrick et al. 42/72
 2011/0126443 A1 6/2011 Sirois
 2011/0192066 A1 8/2011 Kimmel et al.
 2012/0111183 A1 * 5/2012 Hochstrate et al. 89/193
 2012/0159828 A1 6/2012 Jarboe et al.
 2012/0167434 A1 7/2012 Masters
 2013/0276341 A1 * 10/2013 Wells et al. 42/71.01

OTHER PUBLICATIONS

Class 3 Sales Accessories, accessed Oct. 2, 2012, <http://home.comcast.net/~gunrunner1/add.htm>.
 Barry, Max; NationStates; Awac States Log; 12 pages; Mar. 8, 2013; <http://forum.nationstates.net/viewtopic.php?f=23&t=72464&start=0>.
 Color Image; Firearm carbine ACR 8 ss; 1 page; Mar. 8, 2013; http://homefront.wikia.com/wiki/File:Firearm_carbine_ACR_8_ss.jpg.
 Zimba, Jeff W.; Another Tactical Upgrade from MGI Military: The QCB Upper Receiver for the AR-15/M16/M4; The Small Arms Review, vol. 8 No. 3; pp. 37-40; Dec. 2004.

* cited by examiner

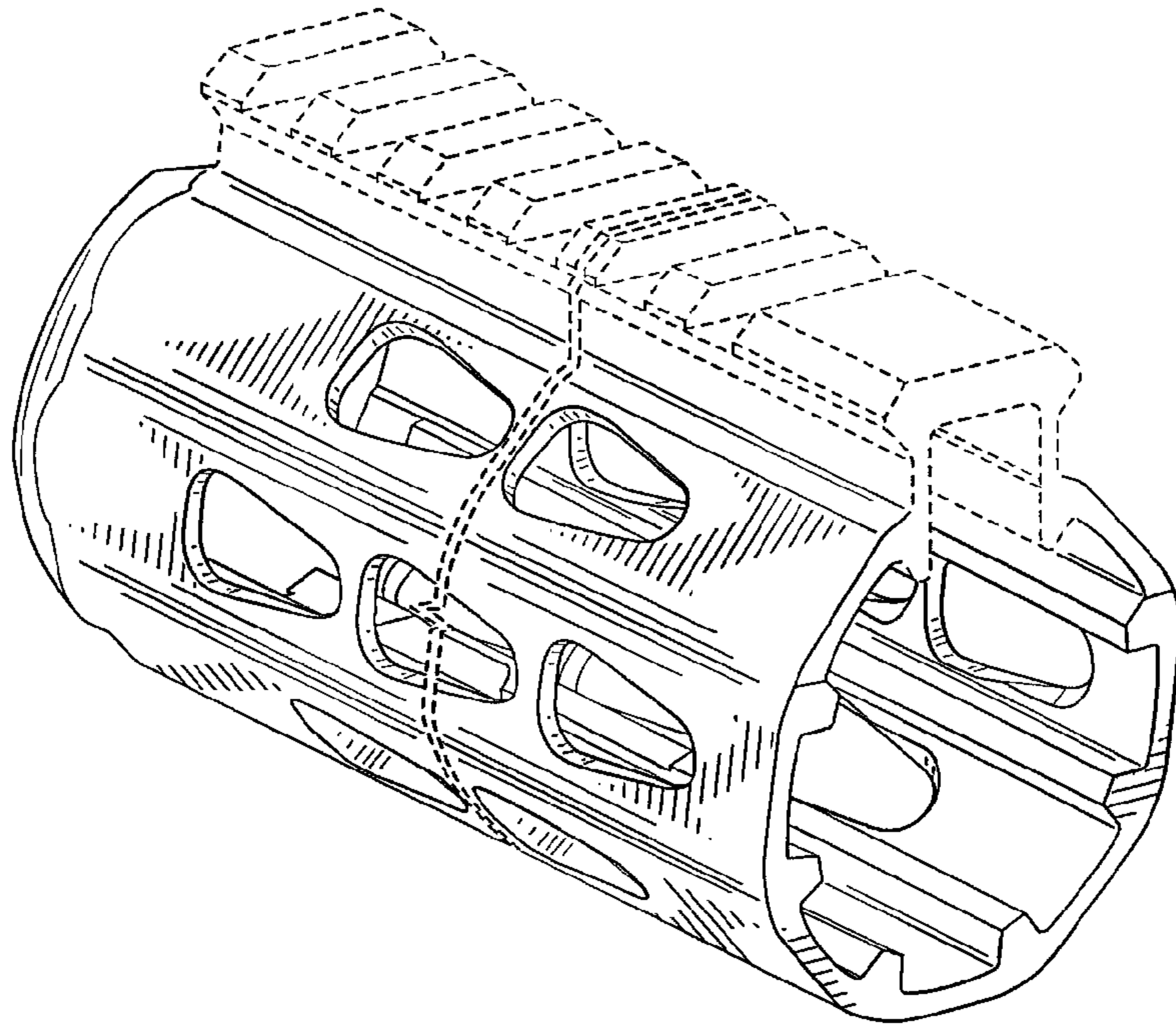


Fig. 1

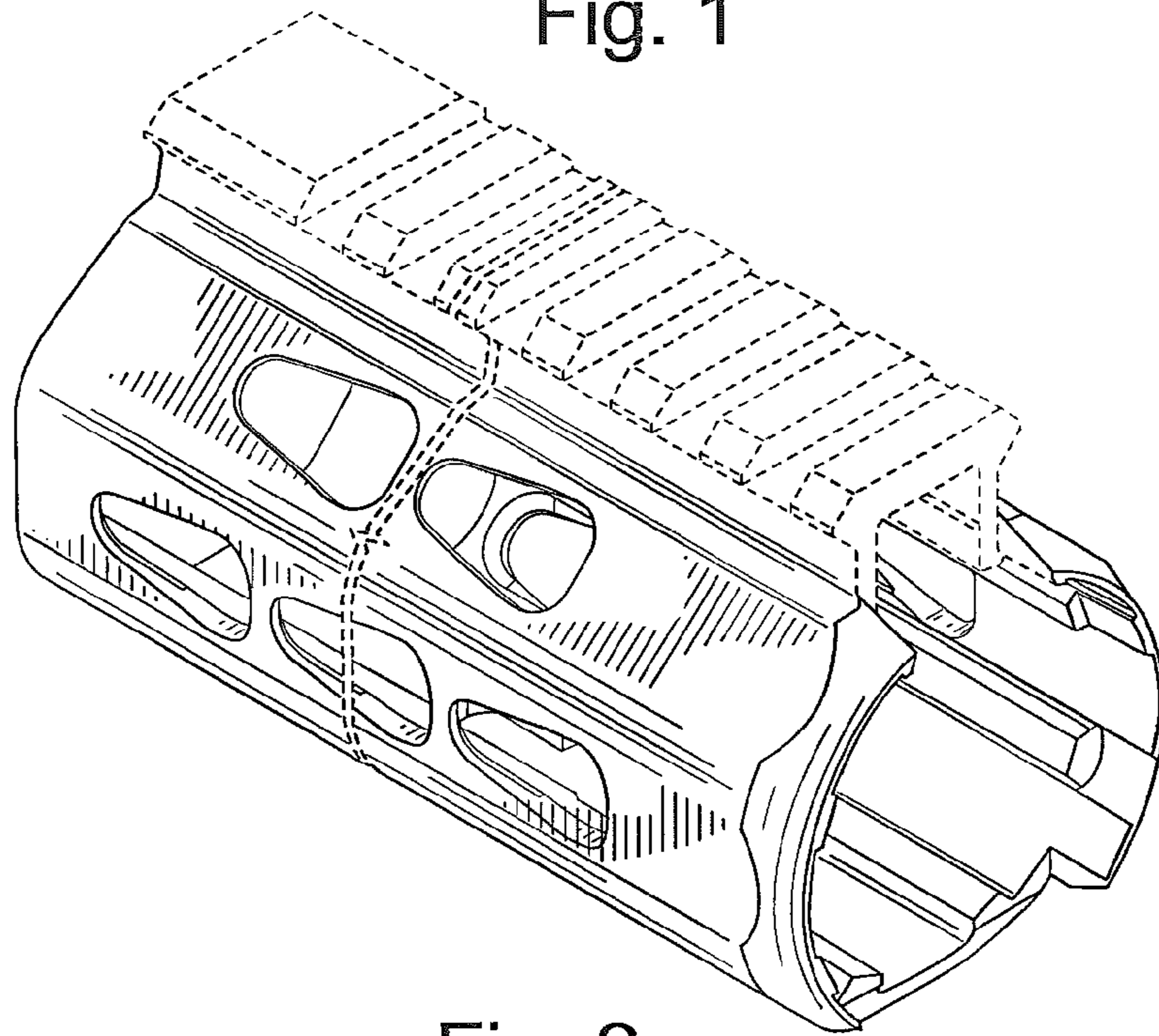


Fig. 2

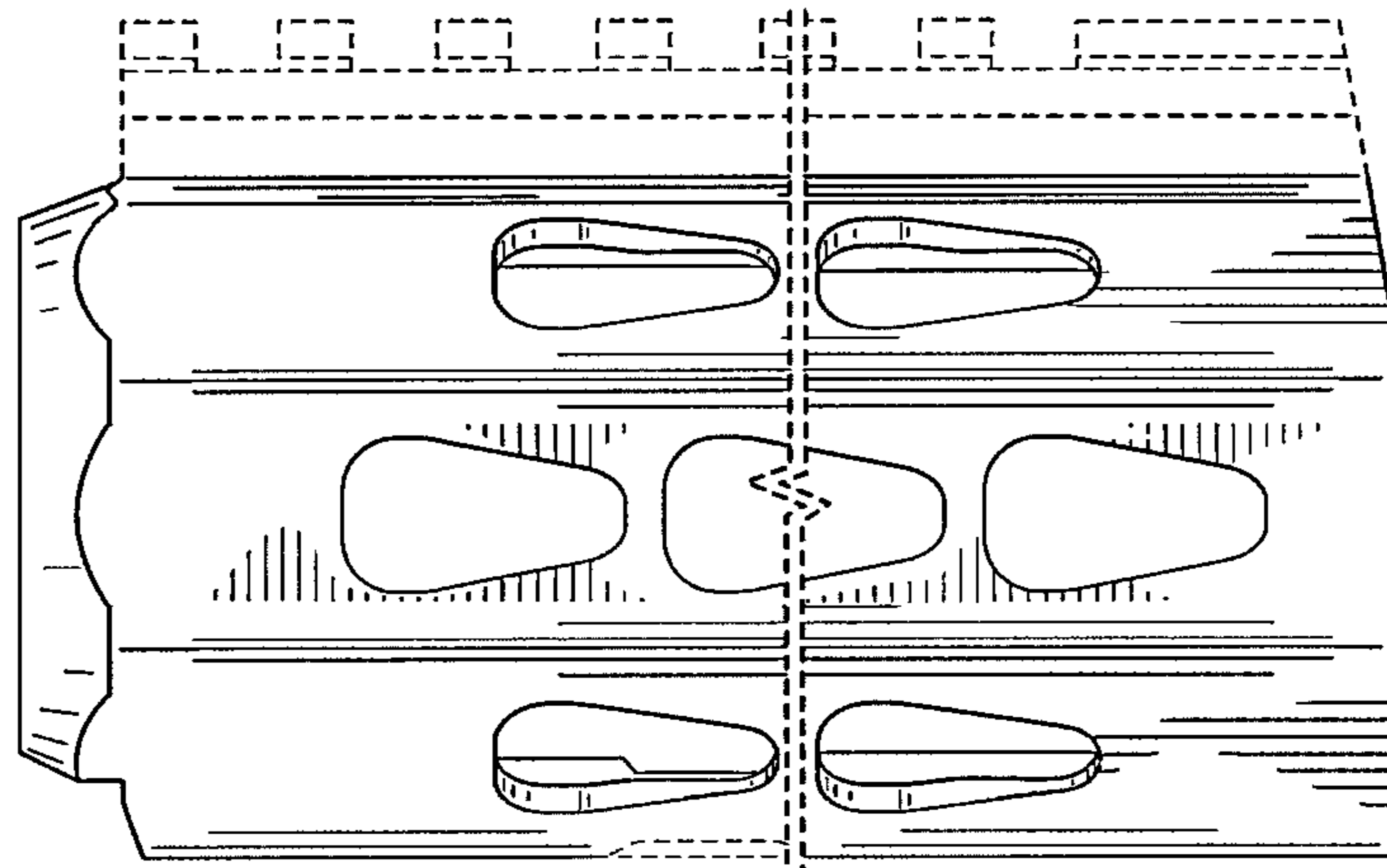


Fig. 3

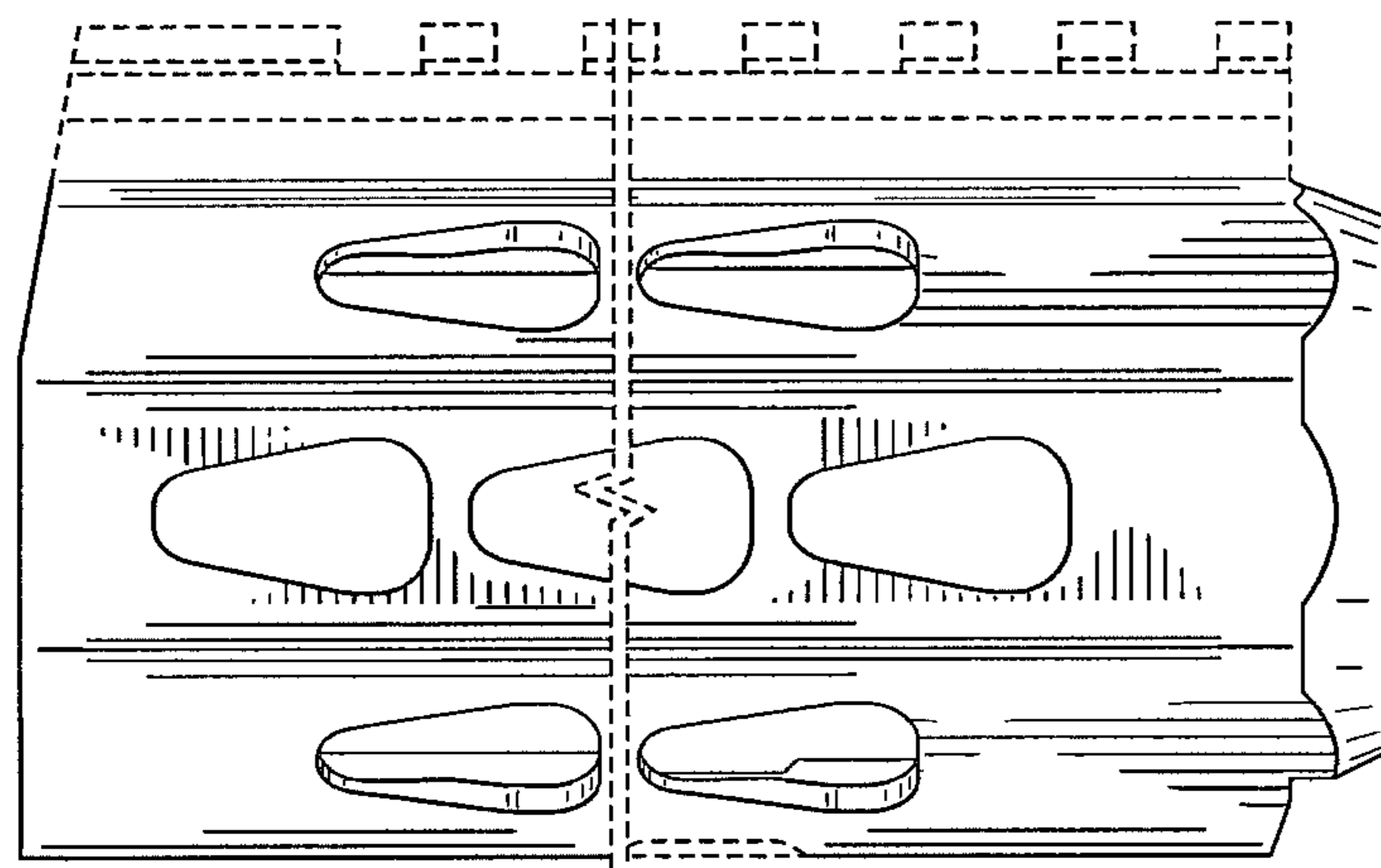


Fig. 4

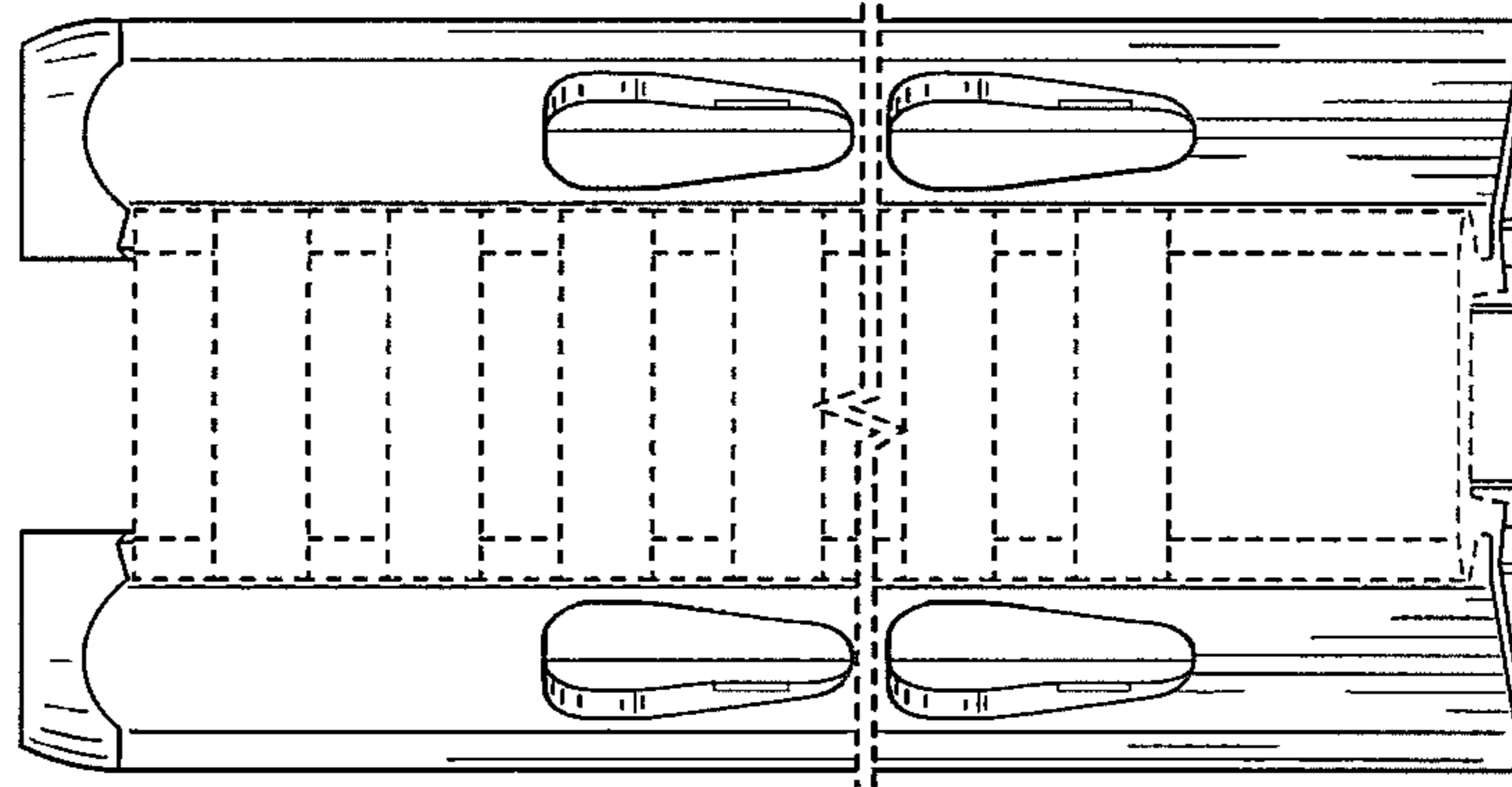


Fig. 5

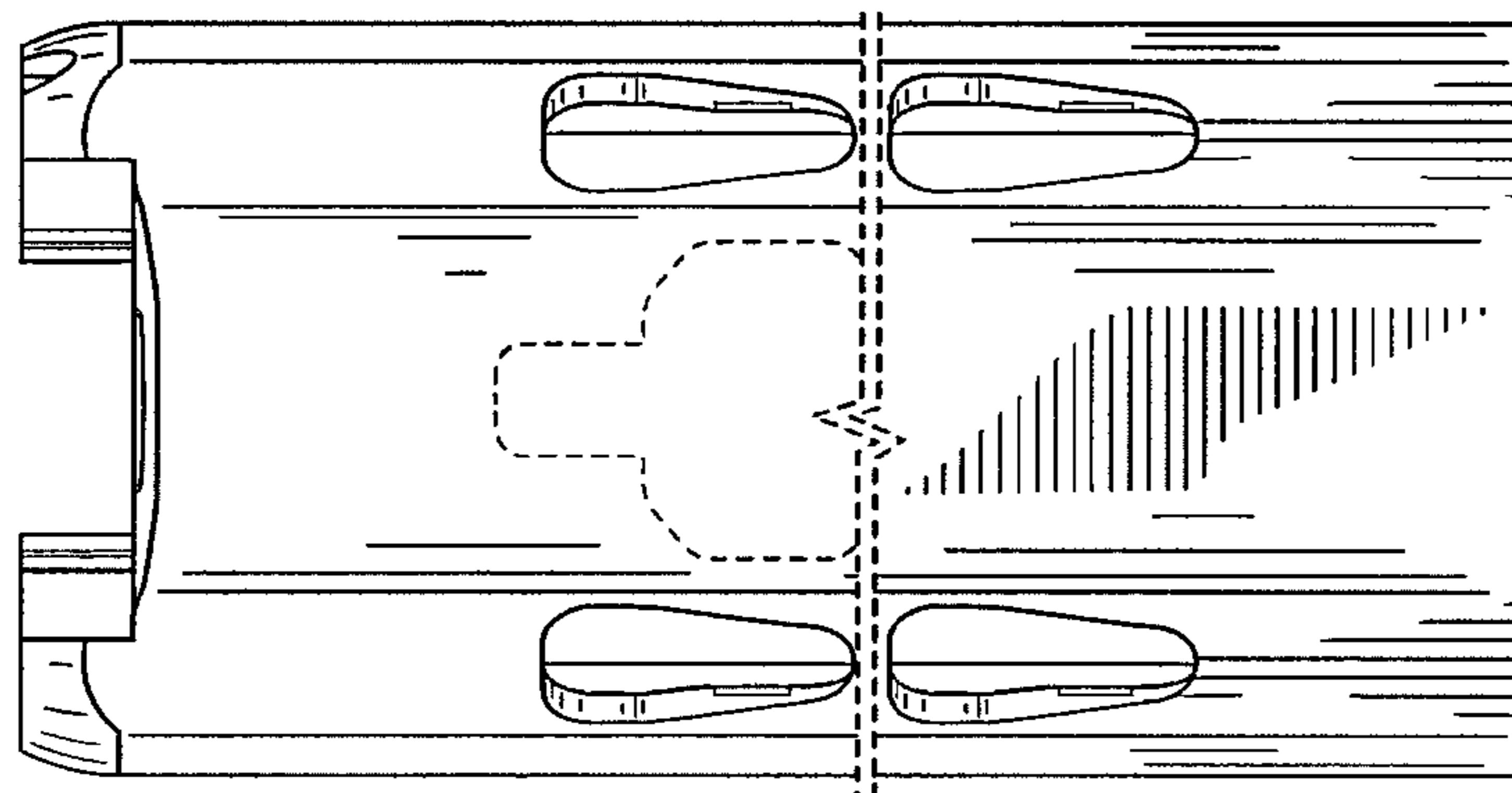


Fig. 6

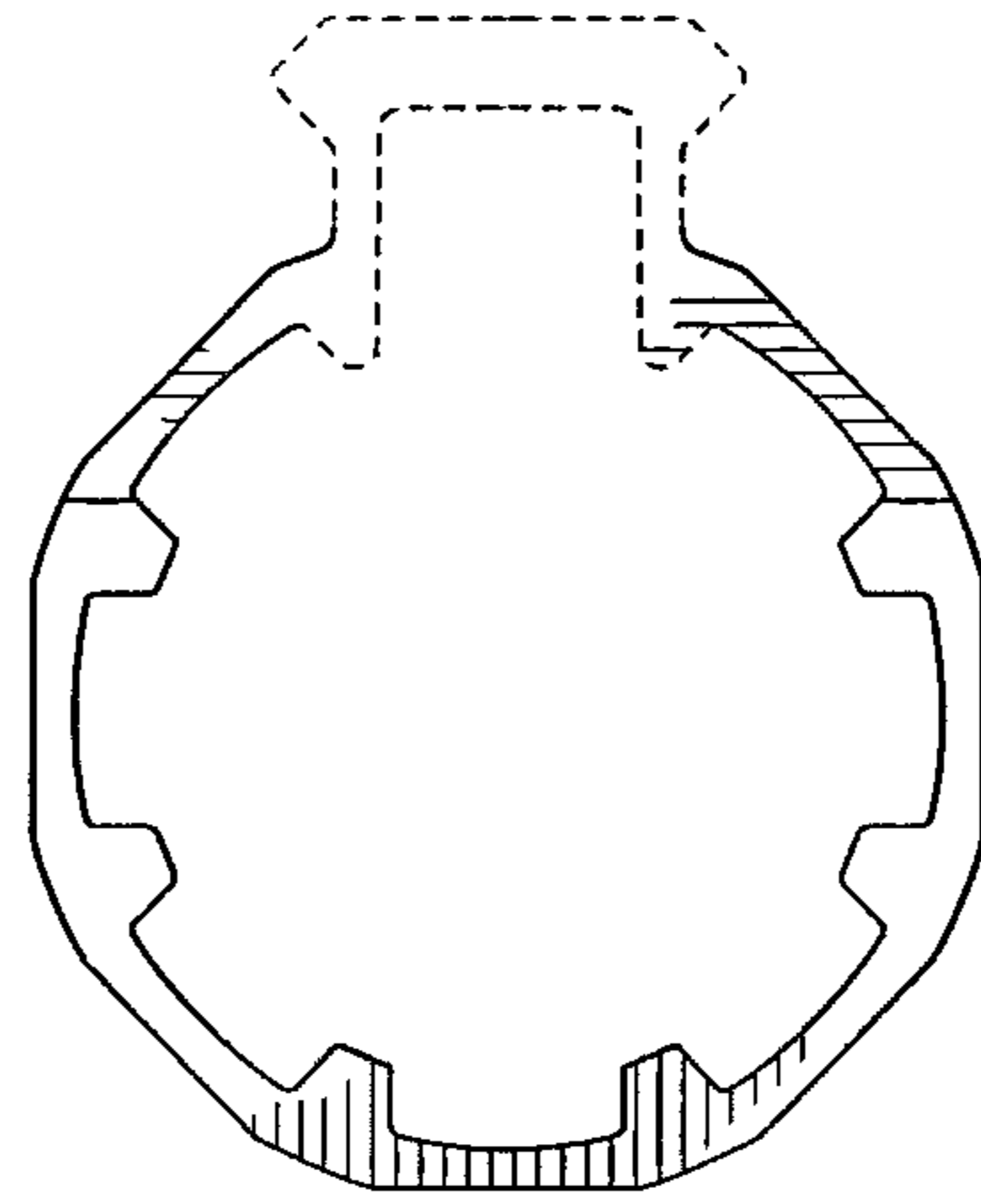


Fig. 7

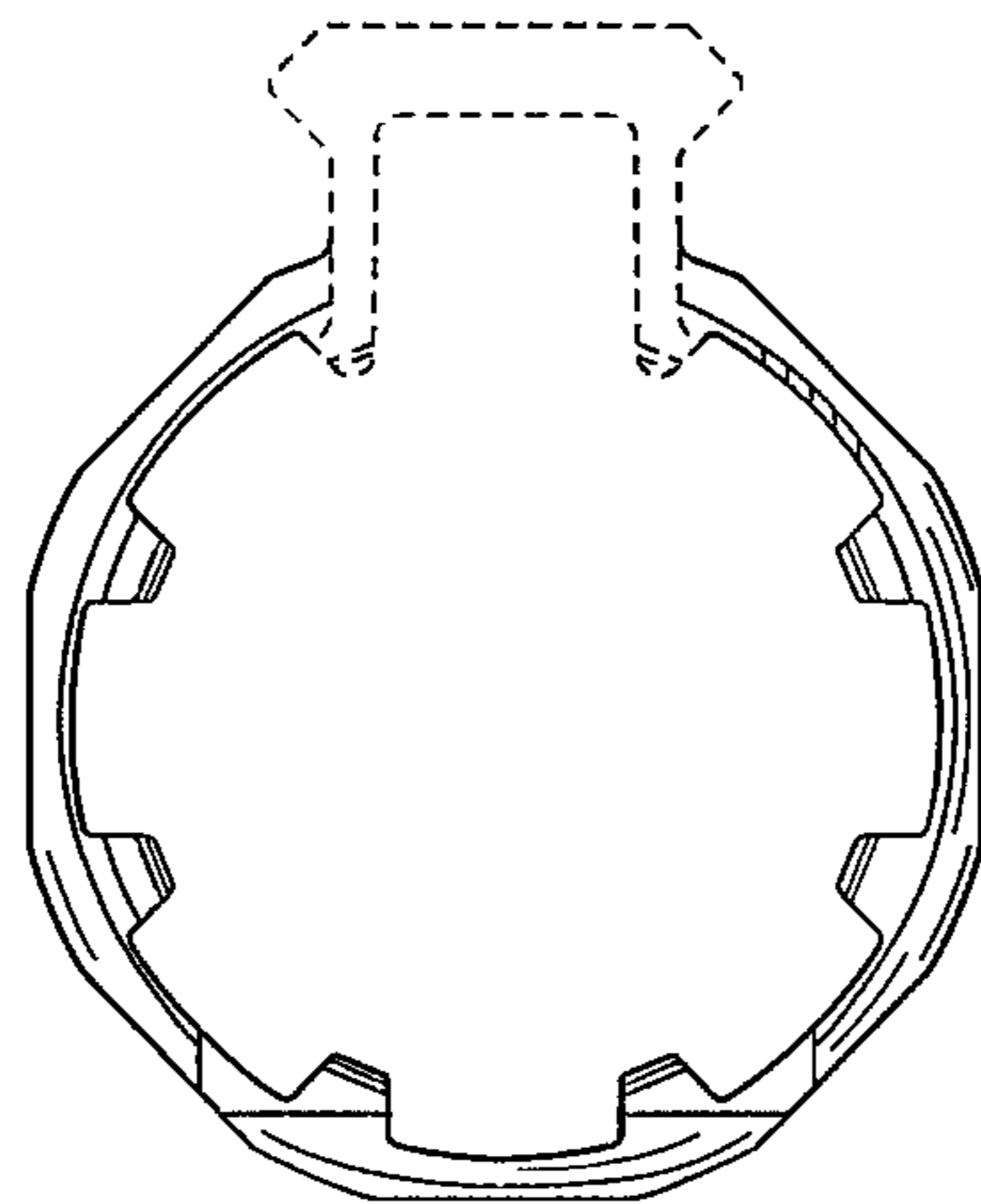


Fig. 8

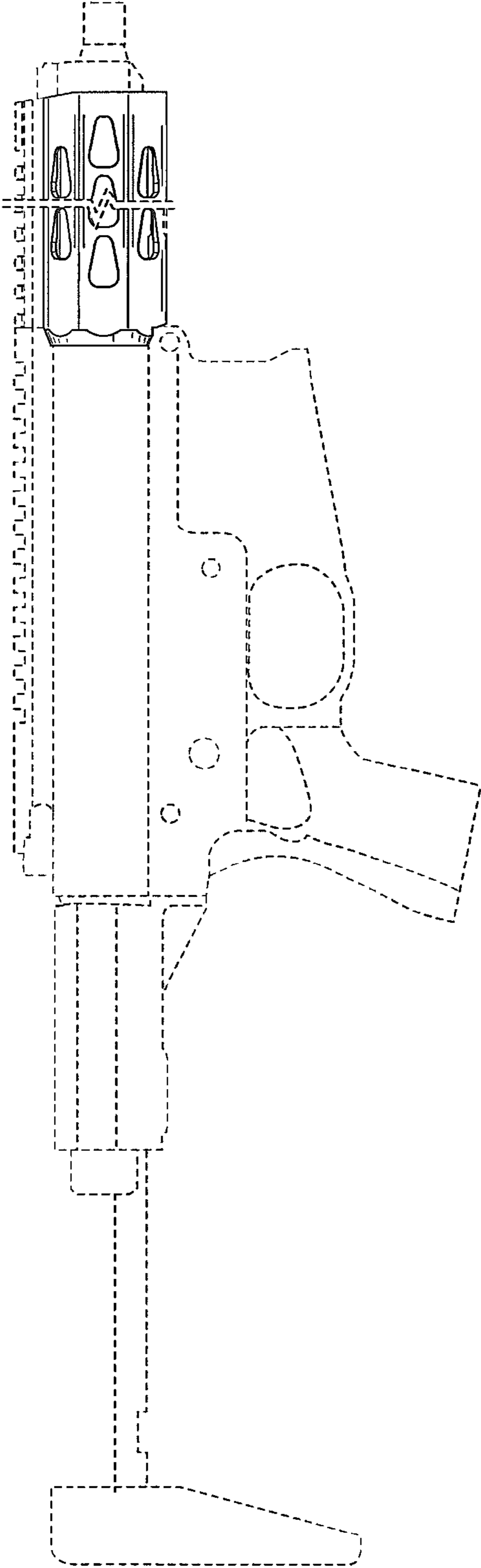


Fig. 9

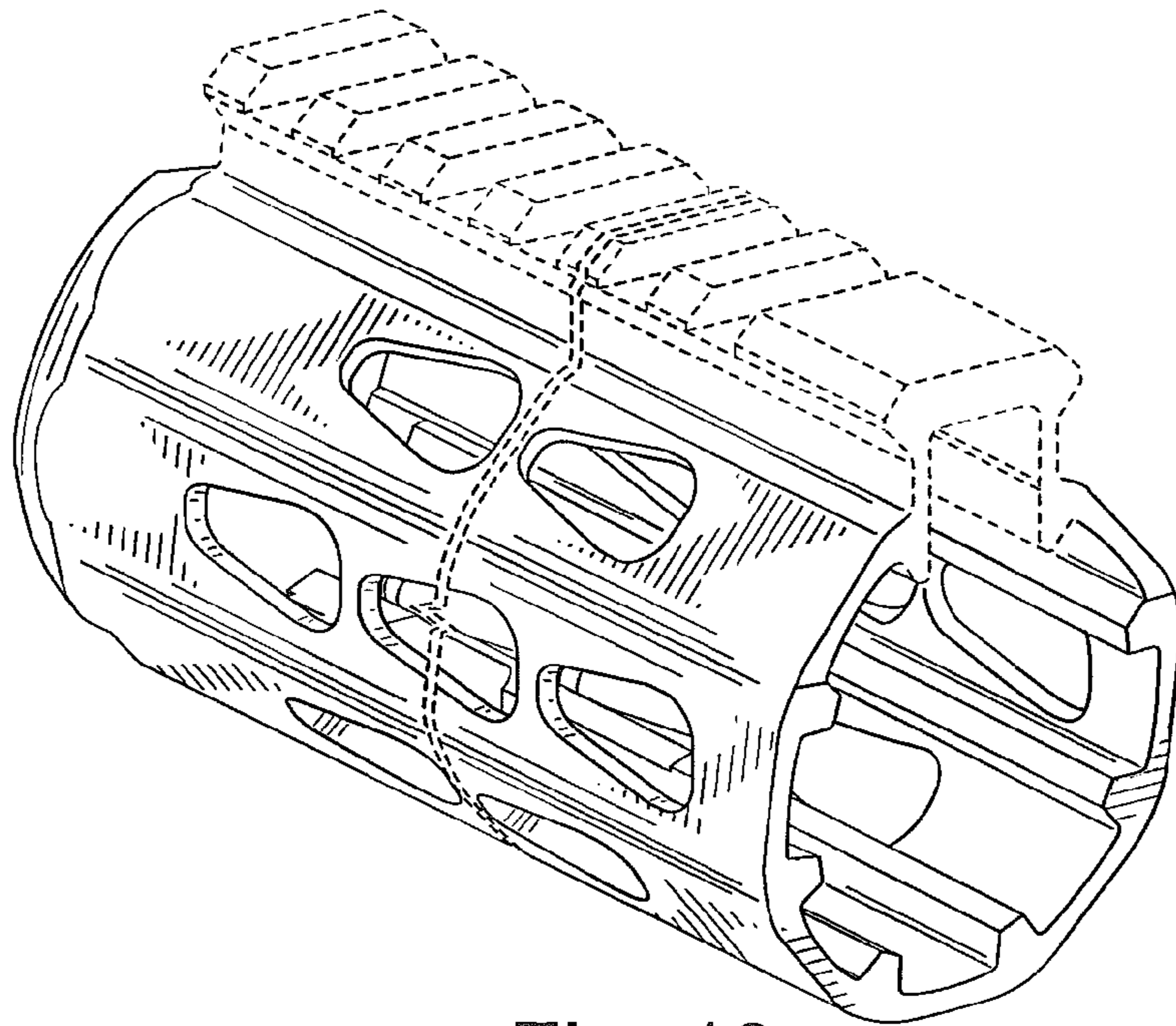


Fig. 10

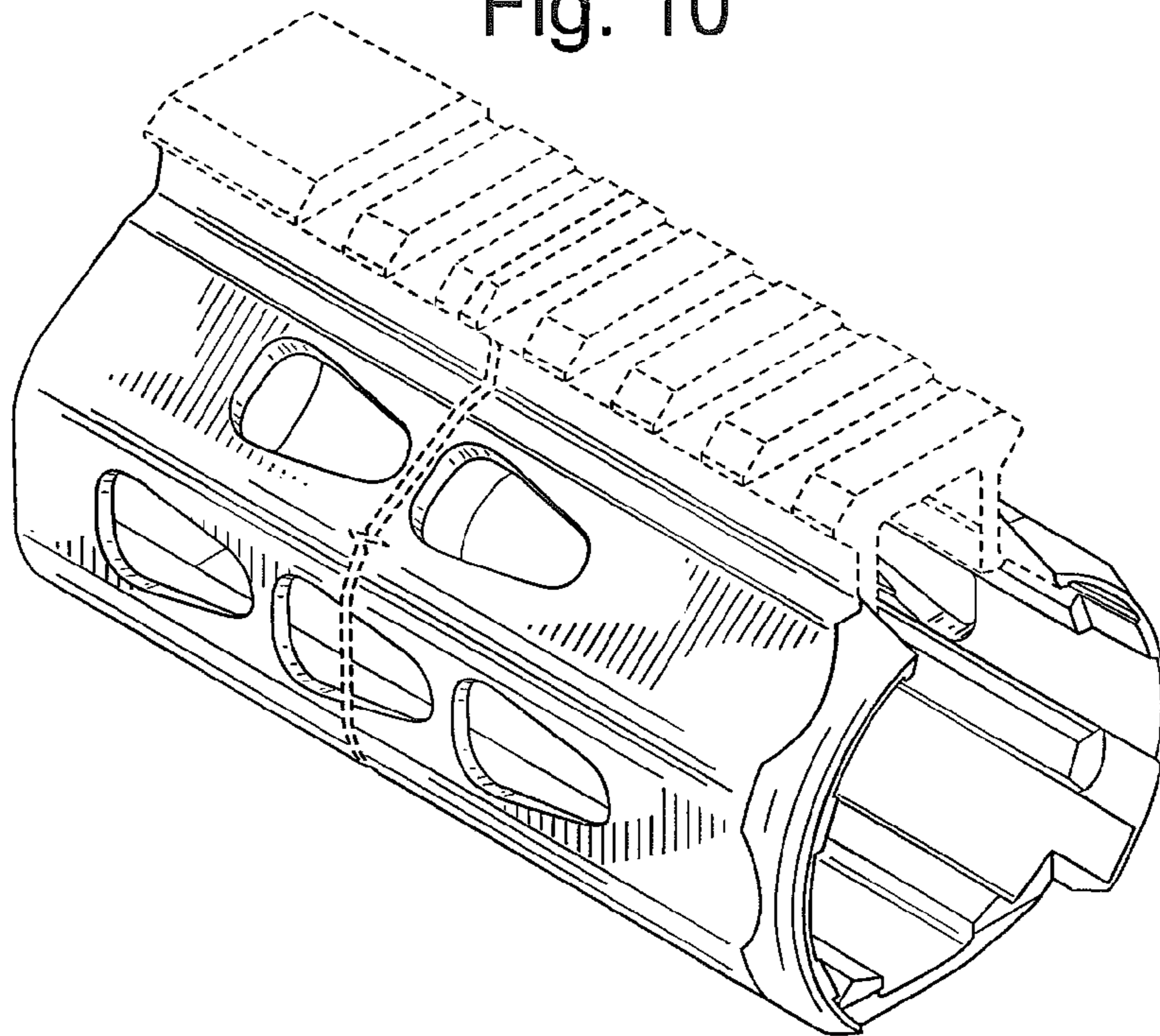


Fig. 11

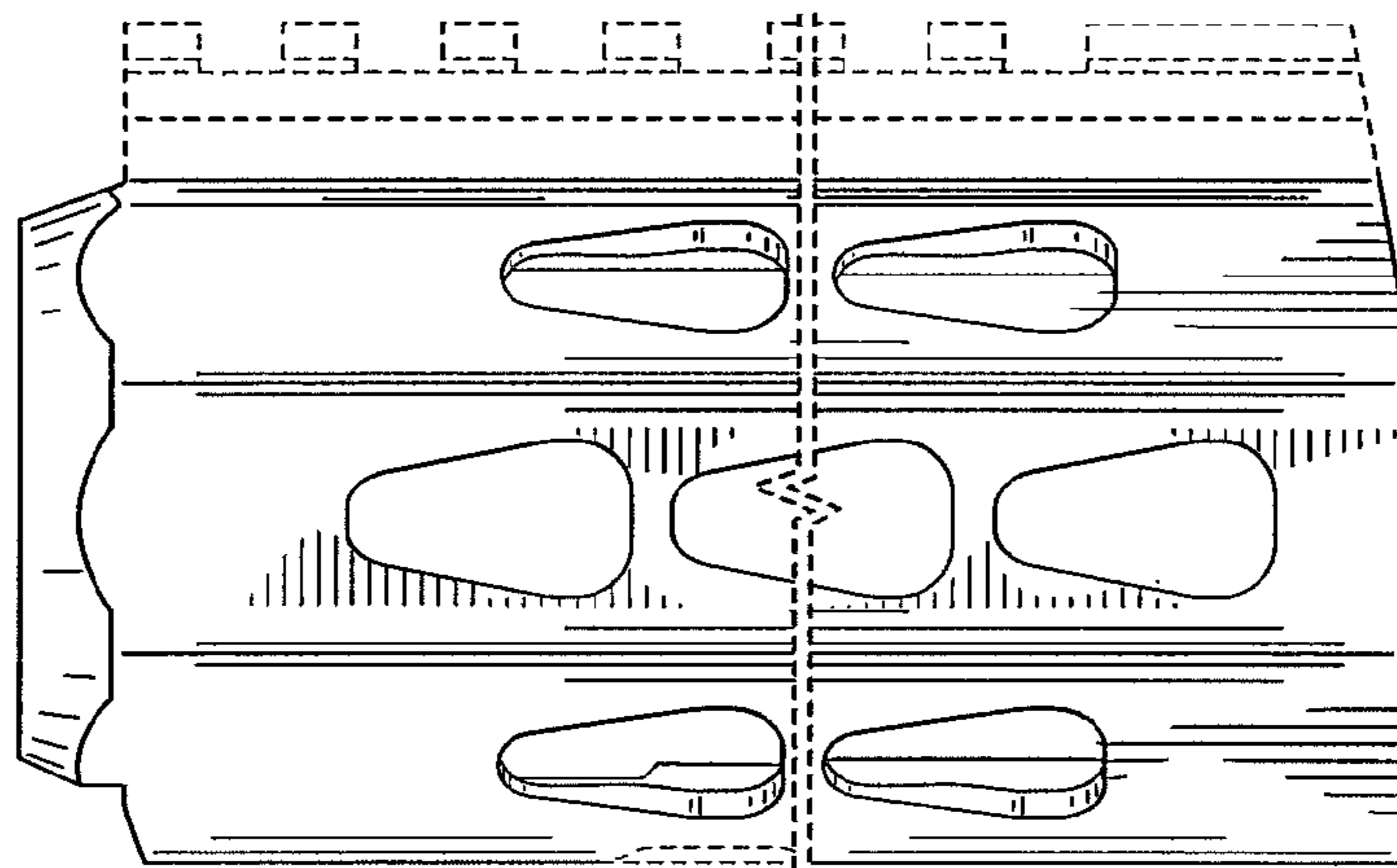


Fig. 12

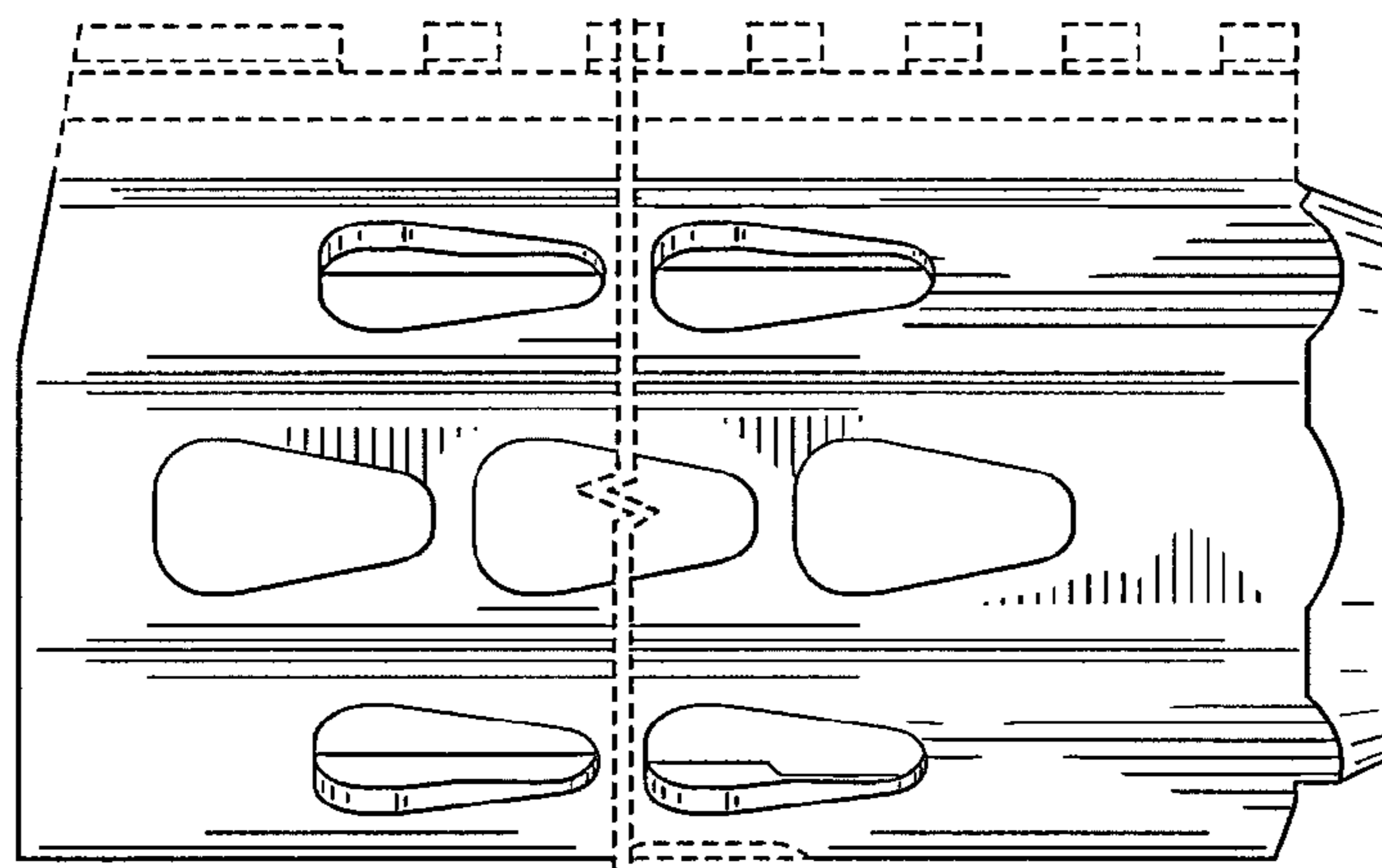


Fig. 13

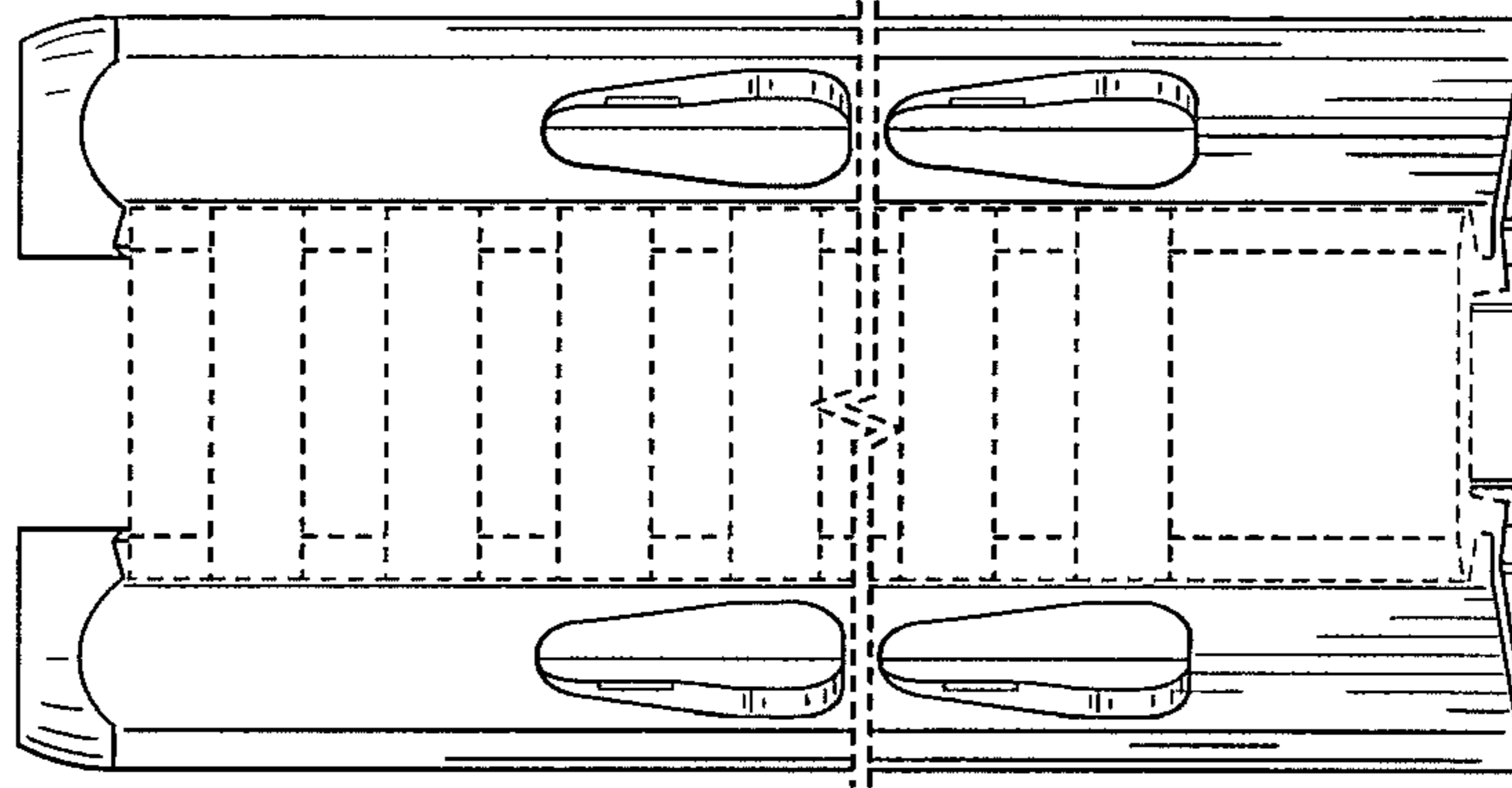


Fig. 14

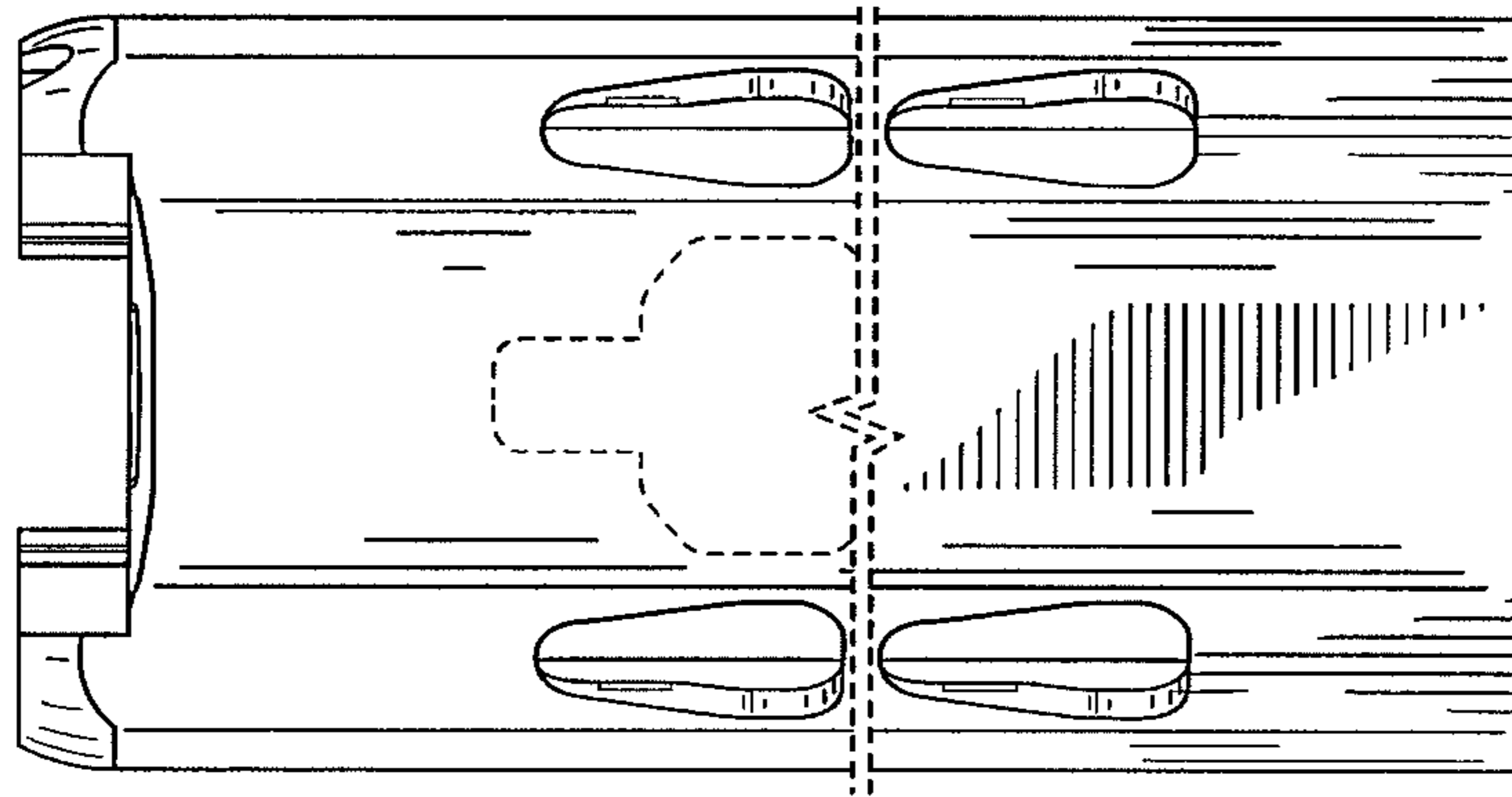


Fig. 15

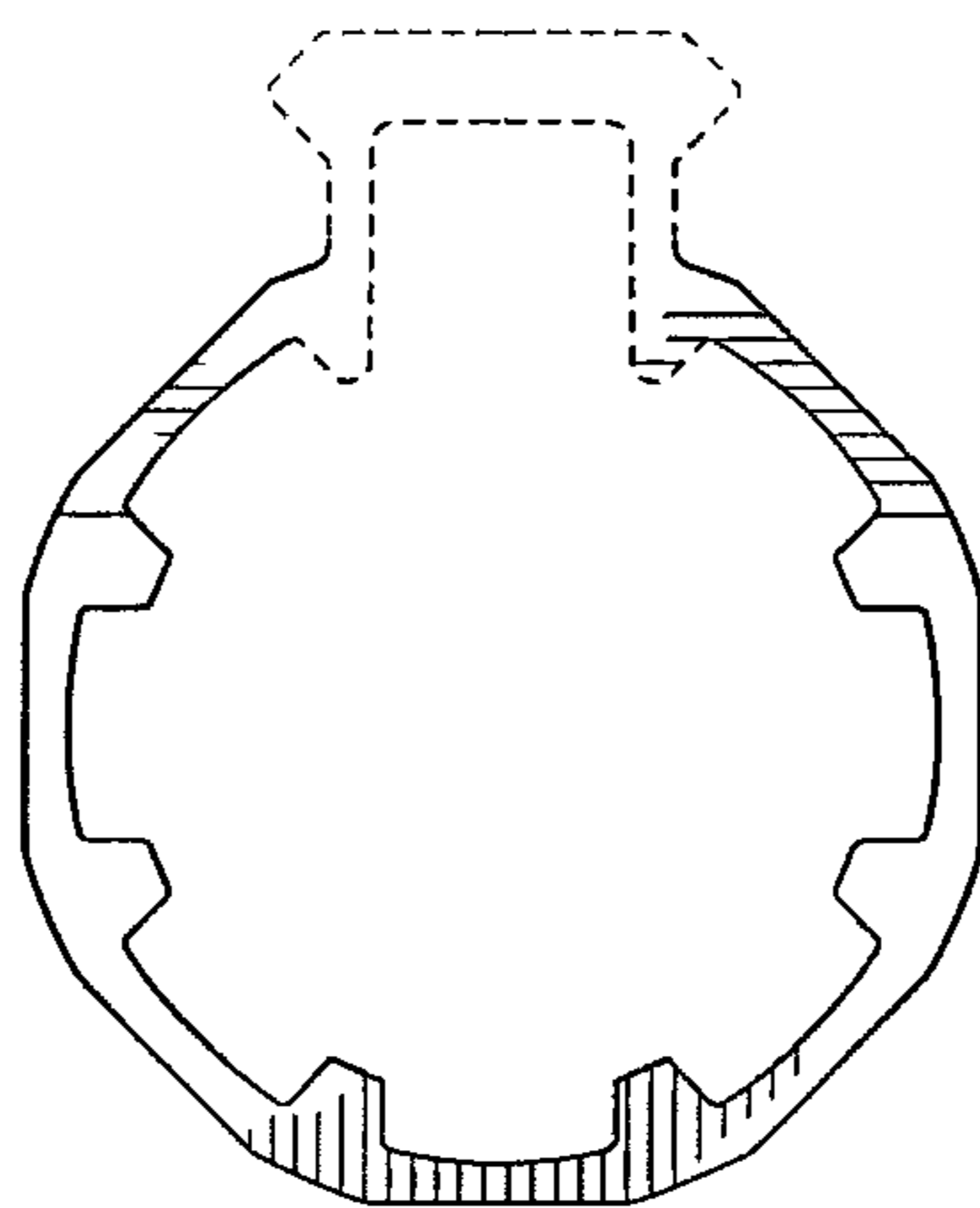


Fig. 16

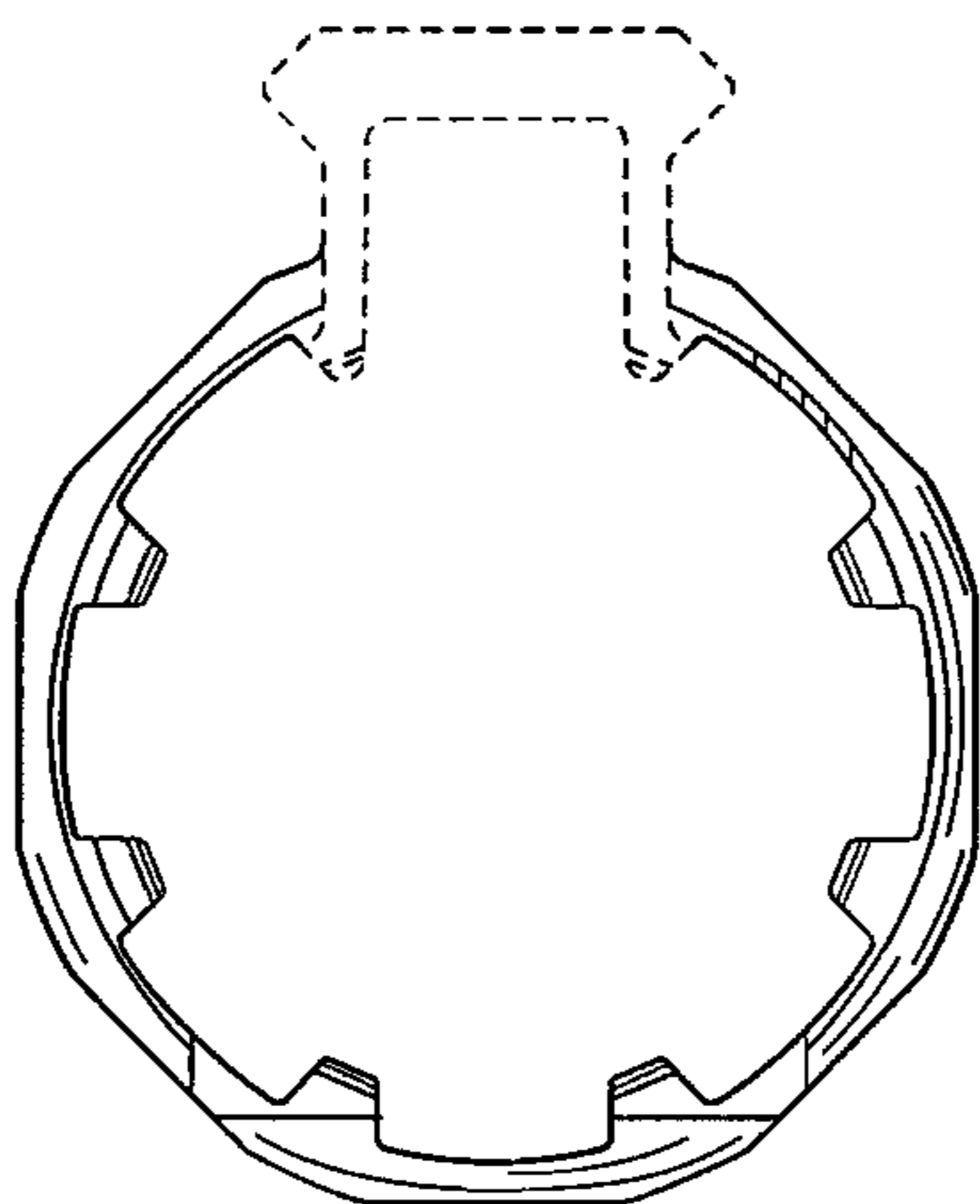


Fig. 17

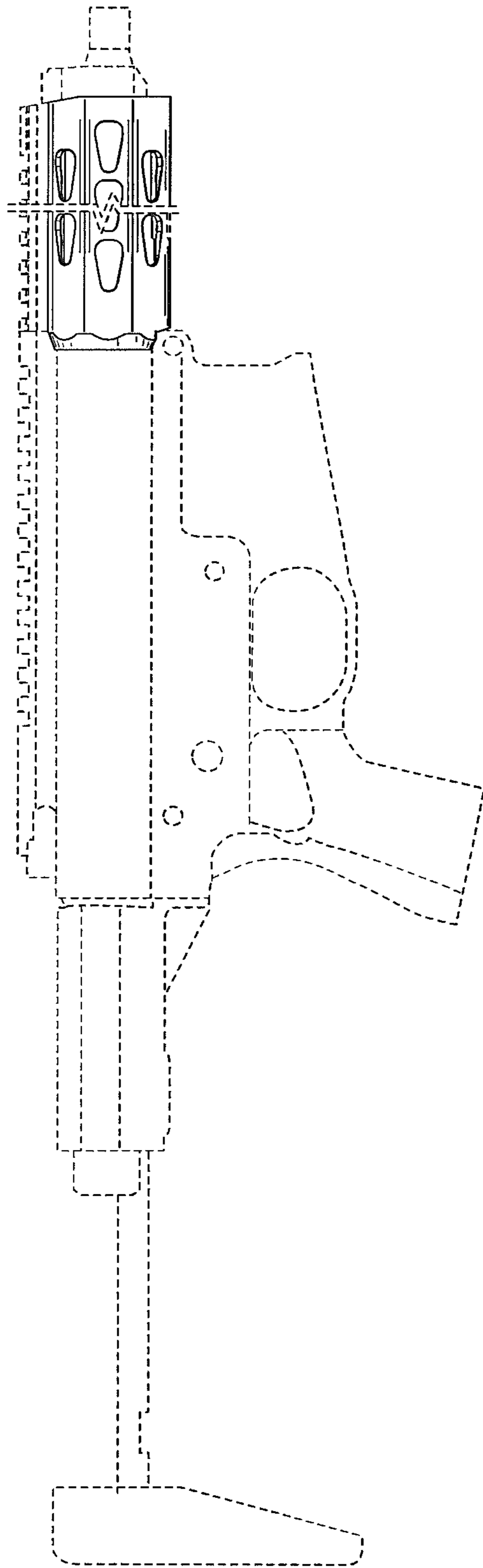


Fig. 18