



US00D715883S

(12) **United States Design Patent**  
**Jacobs**

(10) **Patent No.:** **US D715,883 S**  
(45) **Date of Patent:** **\*\* Oct. 21, 2014**

- (54) **SLING FOR ARCHERY BOW**
- (71) Applicant: **Jeep, Inc.**, Ligonier, IN (US)
- (72) Inventor: **Bobby Jacobs**, Ligonier, IN (US)
- (73) Assignee: **Jeeb, Inc.**, Cable, WI (US)
- (\*\*) Term: **14 Years**
- (21) Appl. No.: **29/446,079**
- (22) Filed: **Feb. 20, 2013**
- (51) **LOC (10) Cl.** ..... **22-01**
- (52) **U.S. Cl.**  
USPC ..... **D22/106**
- (58) **Field of Classification Search**  
USPC ..... D22/106–107; 124/23.1, 25.6, 86, 88  
See application file for complete search history.

8,347,870 B1 1/2013 Mahutga  
 2009/0095270 A1\* 4/2009 Graves ..... 124/35.2  
 2010/0031946 A1\* 2/2010 LoRocco ..... 124/89  
 2013/0284159 A1\* 10/2013 Jacobs ..... 124/89

\* cited by examiner

*Primary Examiner* — Michael A Pratt

(74) *Attorney, Agent, or Firm* — Lerner, David, Littenberg, Krumholz & Mentlik, LLP

(57) **CLAIM**

The ornamental design for a sling for archery bow, as shown and described.

**DESCRIPTION**

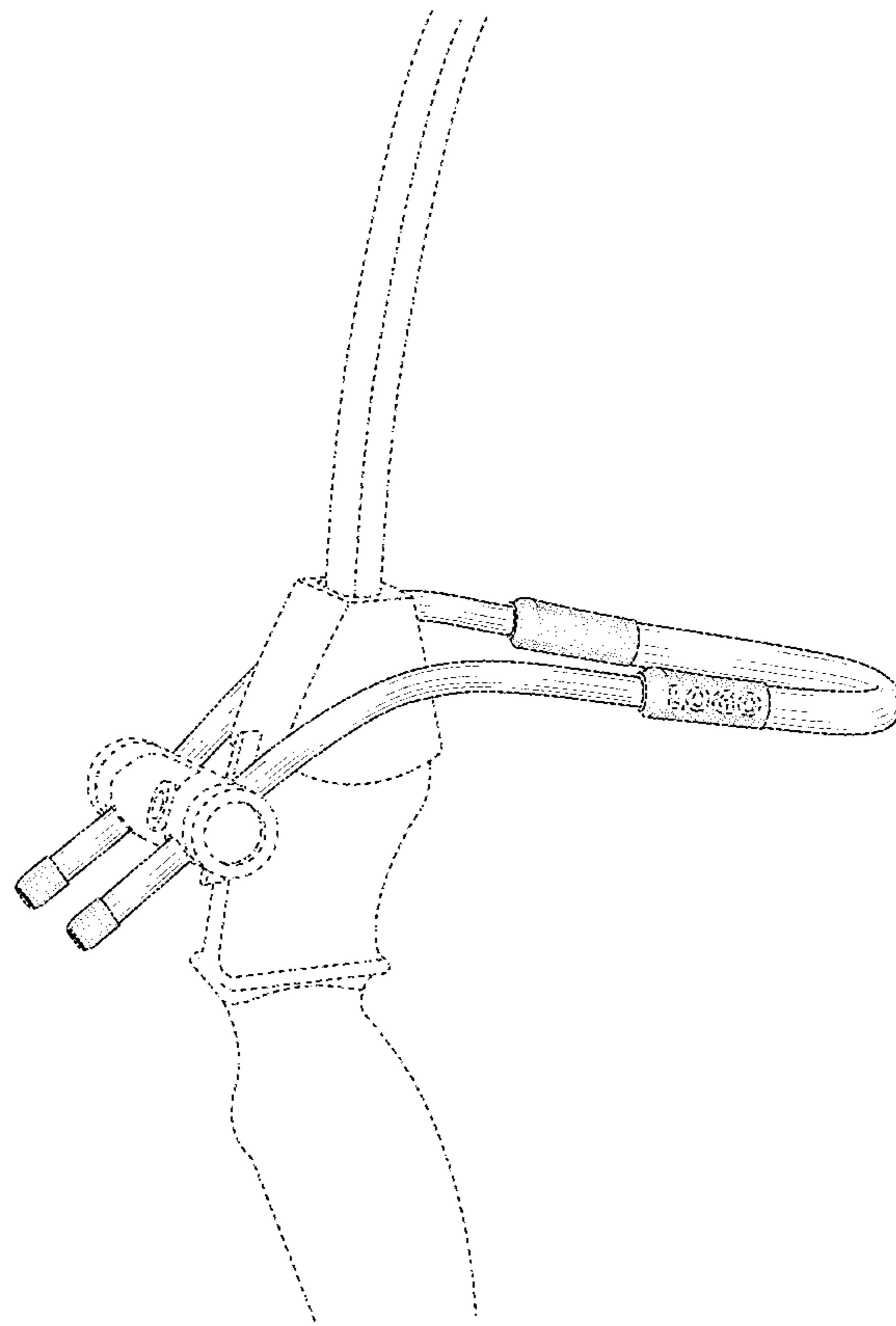
FIG. 1 is a perspective view of the sling for archery bow, in accordance with the present invention;  
 FIG. 2 is a front elevation view of the embodiment shown in FIG. 1;  
 FIG. 3 is a rear elevation view of the embodiment shown in FIG. 1;  
 FIG. 4 is a right side elevation view of the embodiment shown in FIG. 1, the left side being a mirror image thereof; and,  
 FIG. 5 is a top plan view of the embodiment shown in FIG. 1.  
 The archery bow depicted in FIG. 1 shown in broken line for environmental purposes only and as such forms no part of the claimed invention.

**1 Claim, 4 Drawing Sheets**

(56) **References Cited**

U.S. PATENT DOCUMENTS

3,055,354	A *	9/1962	Gates	.....	124/88
3,572,312	A *	3/1971	Foster	.....	124/23.1
3,812,834	A *	5/1974	Saunders	.....	124/20.1
4,714,071	A *	12/1987	Saunders	.....	124/88
4,836,177	A	6/1989	Williams		
5,065,732	A *	11/1991	Smith	.....	124/88
5,894,672	A *	4/1999	Ellenburg et al.	.....	33/265
8,025,047	B2 *	9/2011	Saunders	.....	124/20.1



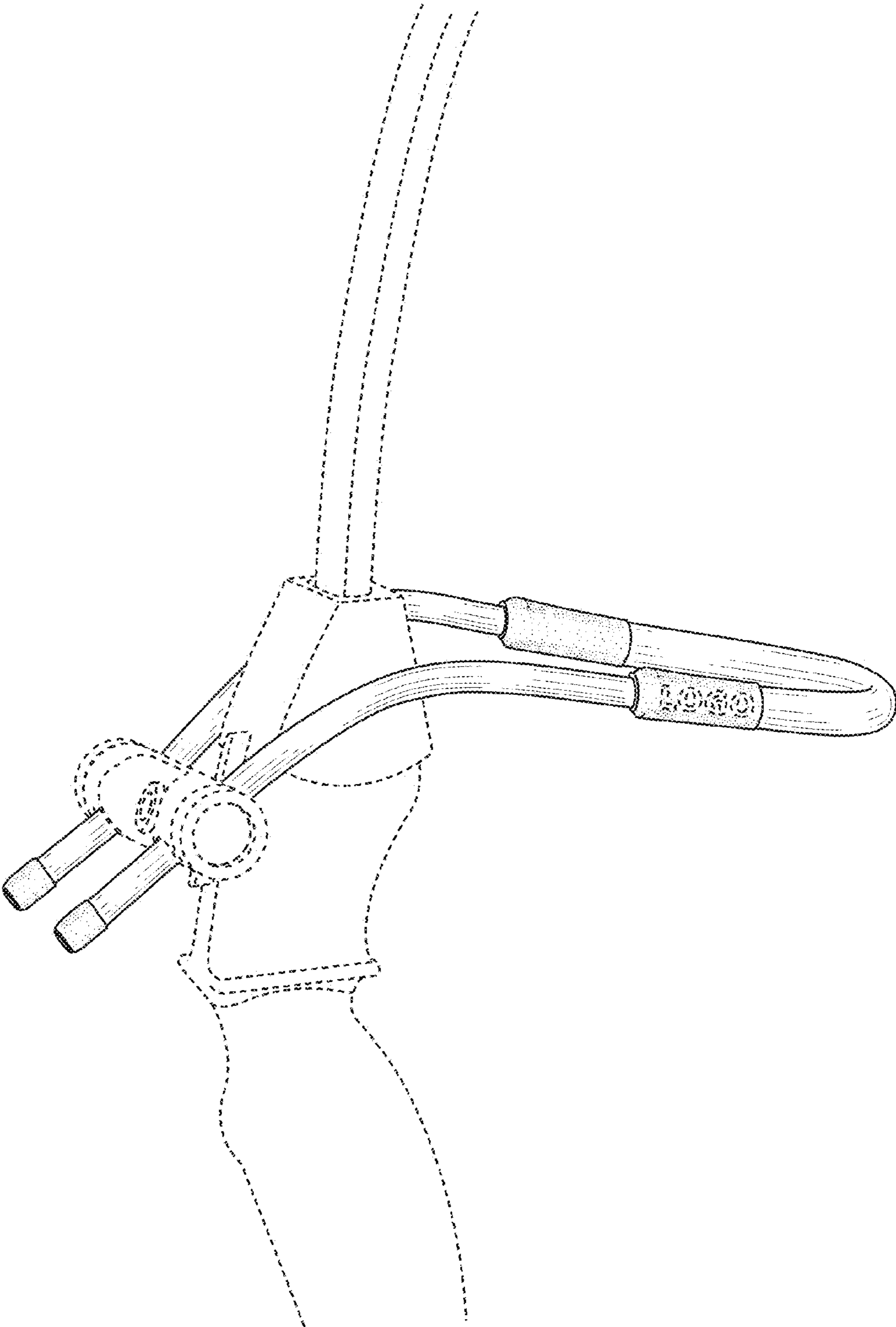


FIG. 1

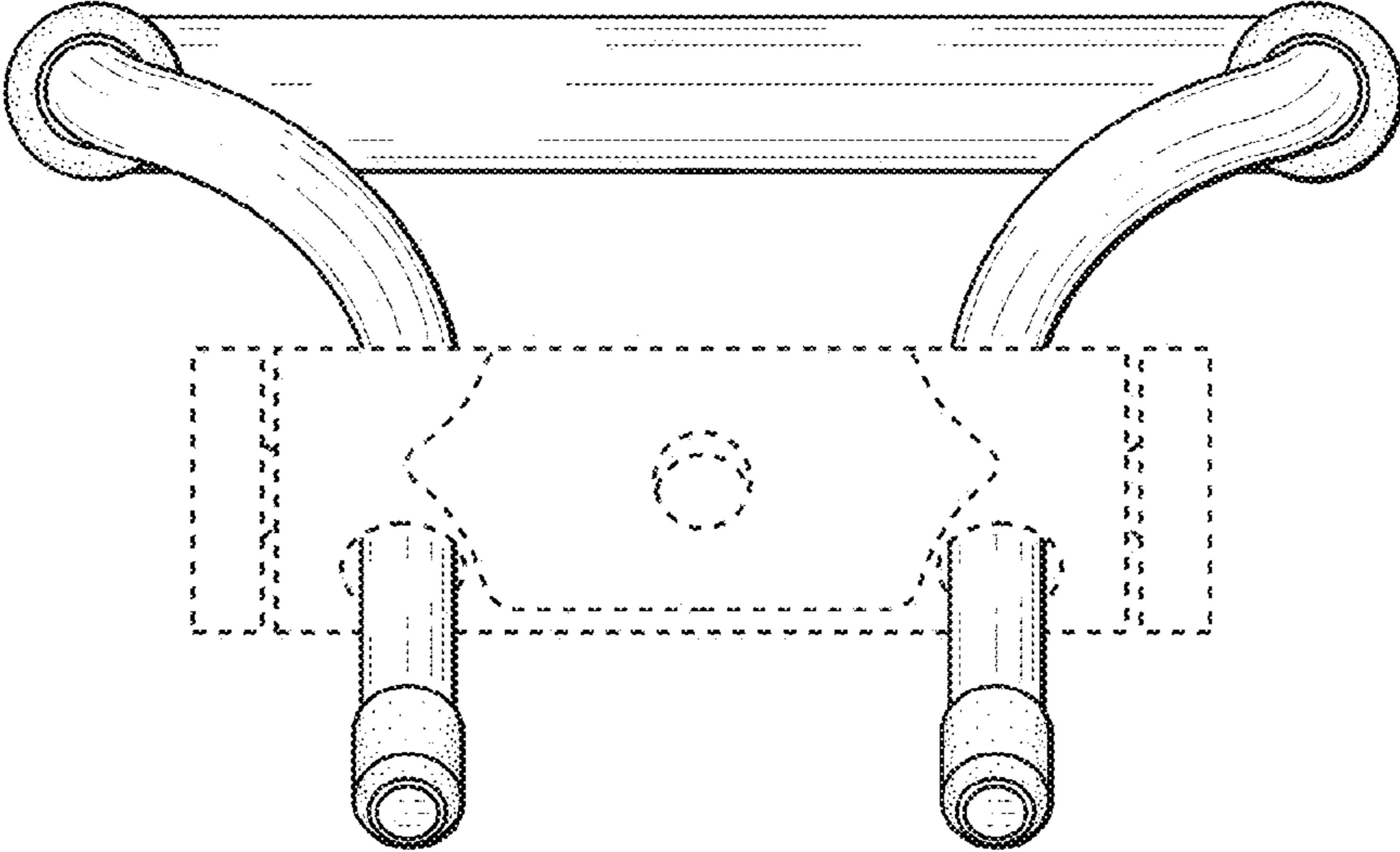


FIG. 2

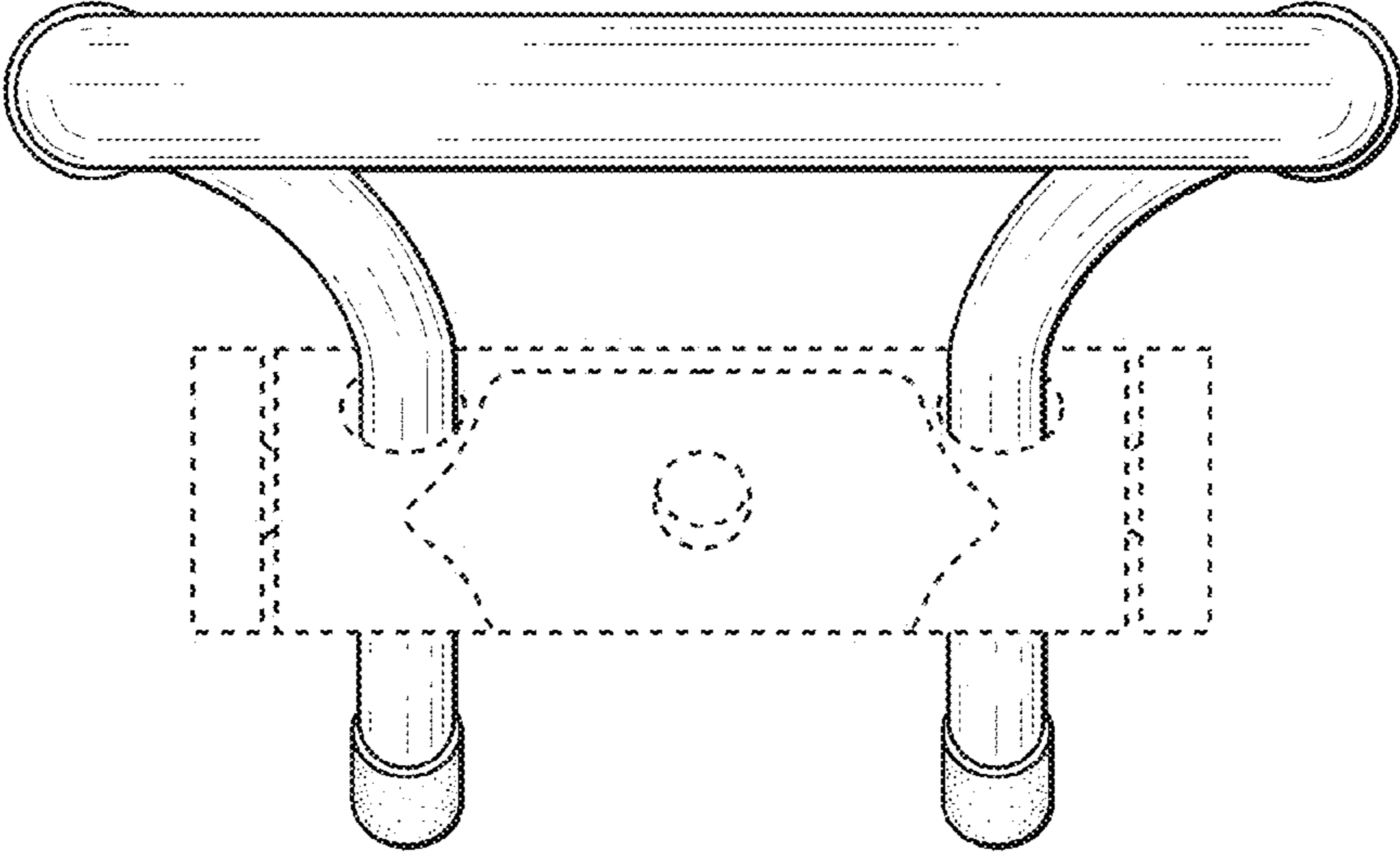


FIG. 3

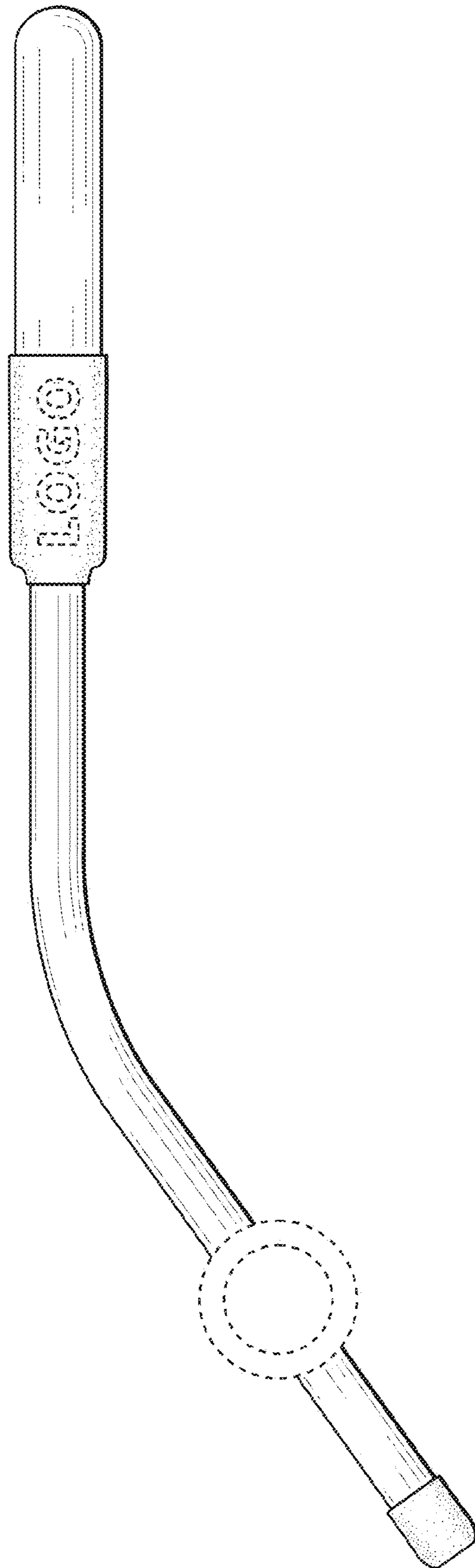


FIG. 4

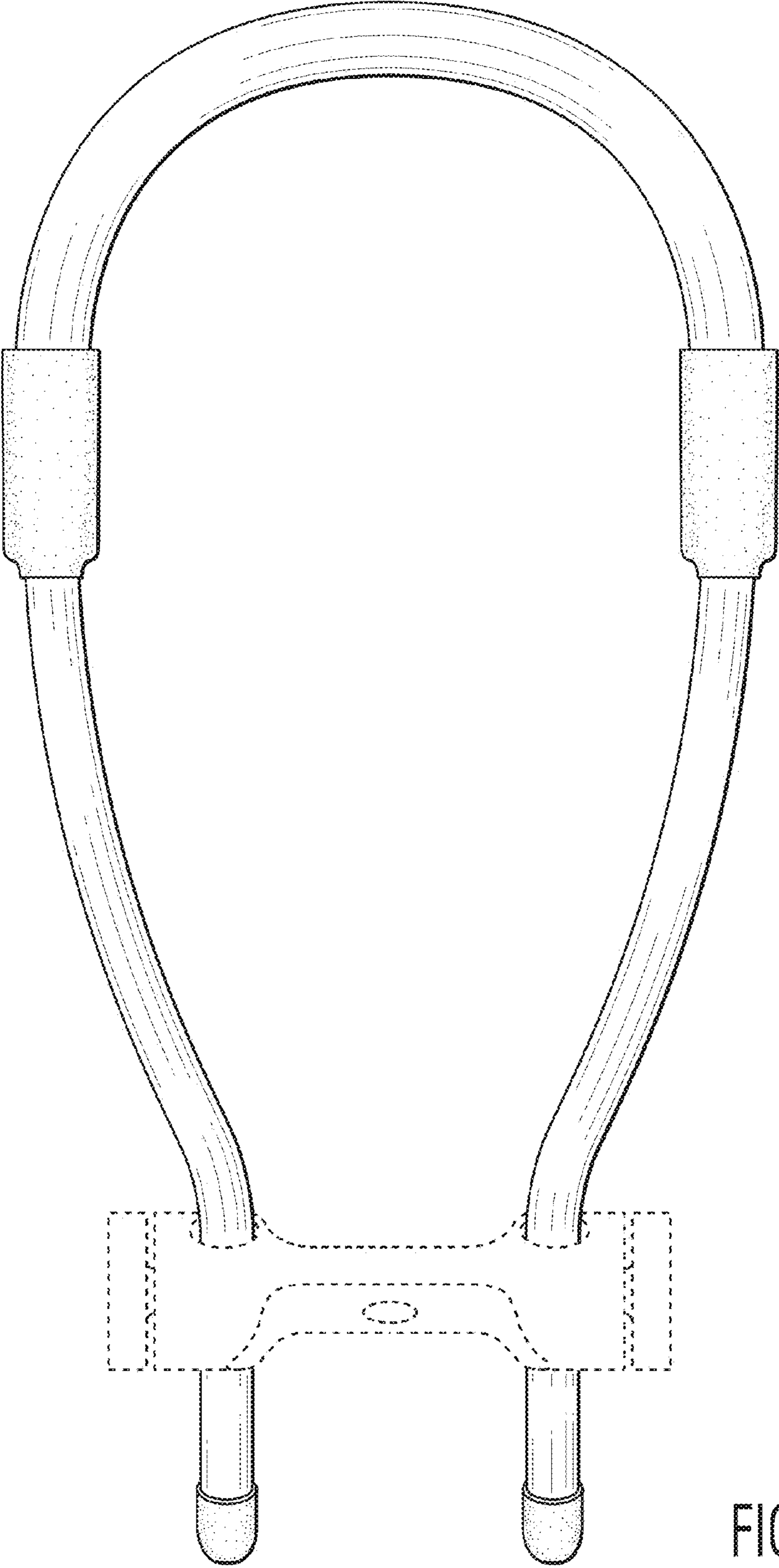


FIG. 5