



US00D715880S

(12) **United States Design Patent**  
**Wieland et al.**

(10) **Patent No.:** **US D715,880 S**

(45) **Date of Patent:** **\*\* Oct. 21, 2014**

(54) **GOLF CLUB HEAD**

(71) Applicant: **Callaway Golf Company**, Carlsbad, CA (US)

(72) Inventors: **Chris J. Wieland**, Vista, CA (US); **Matthew S. Hoffmeyer**, Carlsbad, CA (US); **Larry G. Tang**, Carlsbad, CA (US); **Scott R. Manwaring**, Carlsbad, CA (US); **Philip G. Foster**, Carlsbad, CA (US); **Sean P. Griffin**, Carlsbad, CA (US)

(73) Assignee: **Callaway Golf Company**, Carlsbad, CA (US)

(\*\*) Term: **14 Years**

(21) Appl. No.: **29/472,379**

(22) Filed: **Nov. 12, 2013**

(51) **LOC (10) Cl.** ..... **21-02**

(52) **U.S. Cl.**  
USPC ..... **D21/759**

(58) **Field of Classification Search**  
USPC ..... D21/747–751, 759; 473/324–331, 350  
See application file for complete search history.

(56) **References Cited**

U.S. PATENT DOCUMENTS

D487,491 S \* 3/2004 Madore et al. .... D21/759  
D487,492 S \* 3/2004 Madore et al. .... D21/759  
D487,493 S \* 3/2004 Madore et al. .... D21/759

D488,203 S \* 4/2004 Madore et al. .... D21/759  
D514,640 S \* 2/2006 Madore et al. .... D21/759  
D514,641 S \* 2/2006 Madore et al. .... D21/759  
D514,642 S \* 2/2006 Madore et al. .... D21/759  
D515,161 S \* 2/2006 Madore et al. .... D21/759  
D515,162 S \* 2/2006 Madore et al. .... D21/759  
D515,163 S \* 2/2006 Madore et al. .... D21/759  
D620,063 S \* 7/2010 Llewellyn et al. .... D21/759  
D629,061 S \* 12/2010 Llewellyn et al. .... D21/759  
D652,093 S \* 1/2012 Foster ..... D21/747  
D708,282 S \* 7/2014 Oldknow ..... D21/759  
D709,576 S \* 7/2014 Oldknow ..... D21/759  
D709,974 S \* 7/2014 Oldknow ..... D21/759

\* cited by examiner

*Primary Examiner* — Mitchell Siegel

(74) *Attorney, Agent, or Firm* — Rebecca Hanovice; Michael A. Catania; Sonia Lari

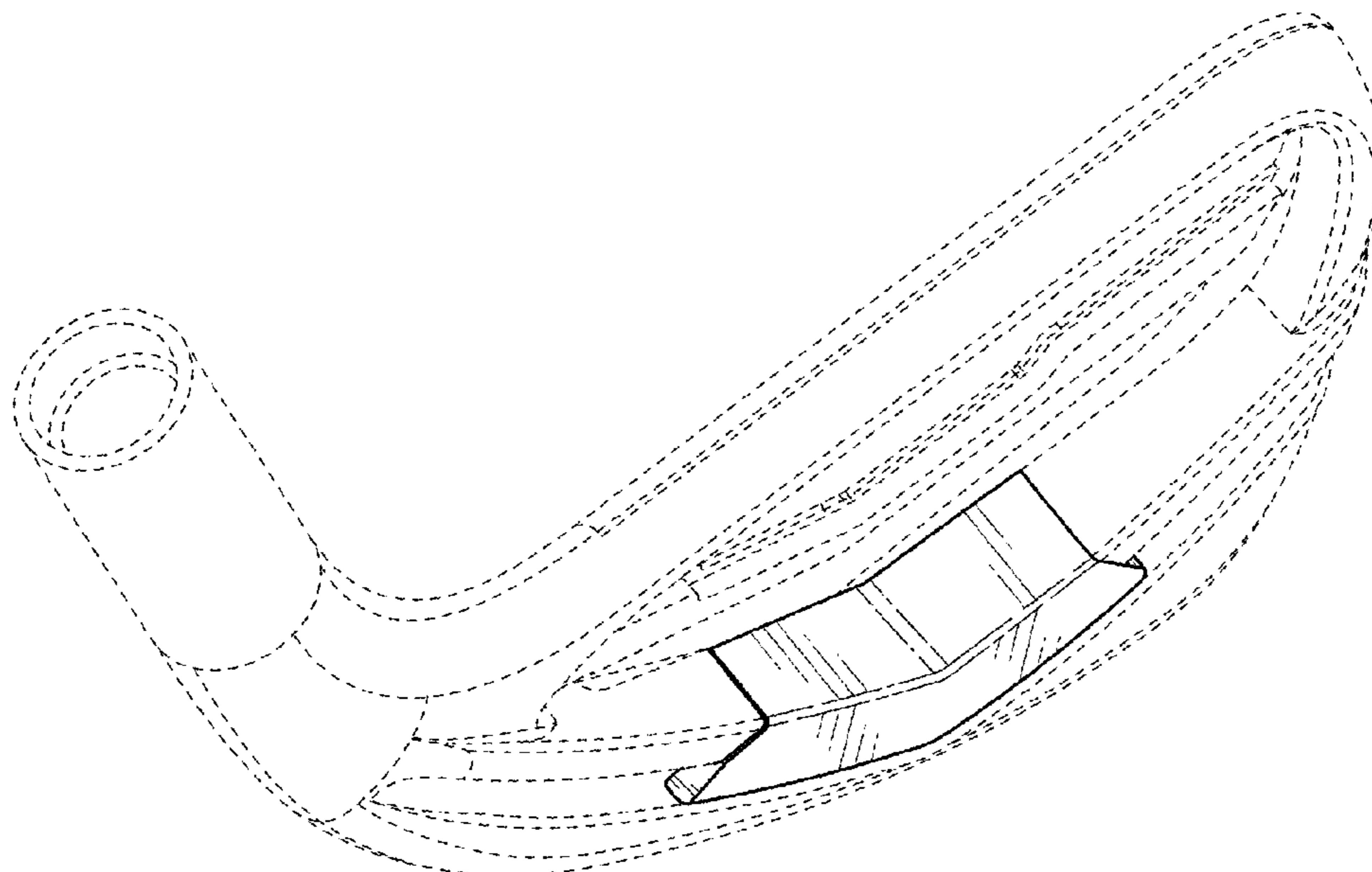
(57) **CLAIM**

The ornamental design for a golf club head, as shown and described.

**DESCRIPTION**

FIG. 1 is a rear perspective view of the golf club head; FIG. 2 is a front elevational view thereof; FIG. 3 is a rear elevational view thereof; FIG. 4 is a right side elevational view thereof; FIG. 5 is a left side elevational view thereof; FIG. 6 is a top plan view thereof; and, FIG. 7 is a bottom plan view thereof. The broken lines are included for the purpose of illustration only and form no part of the claimed design.

**1 Claim, 4 Drawing Sheets**



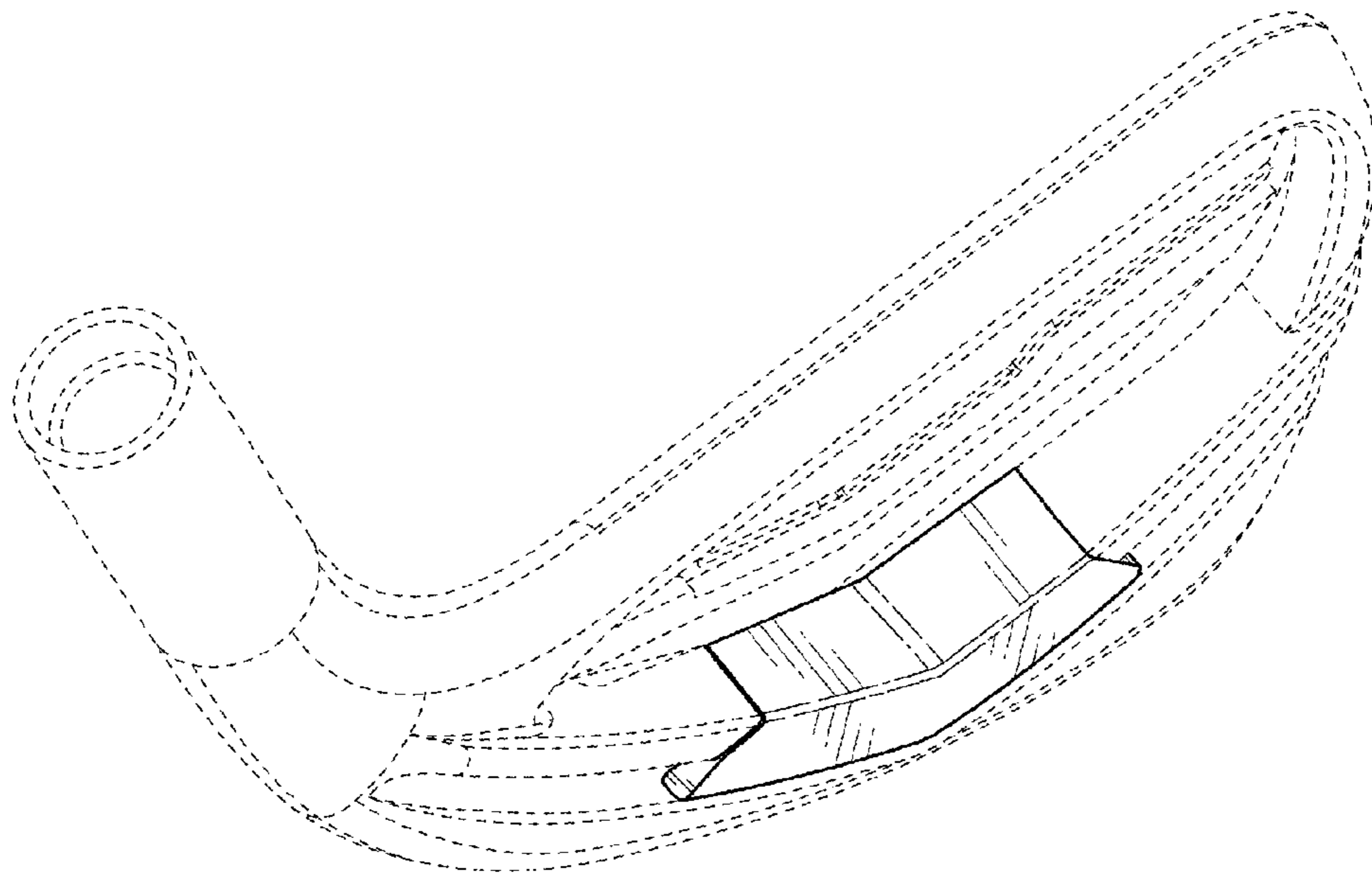


FIG. 1

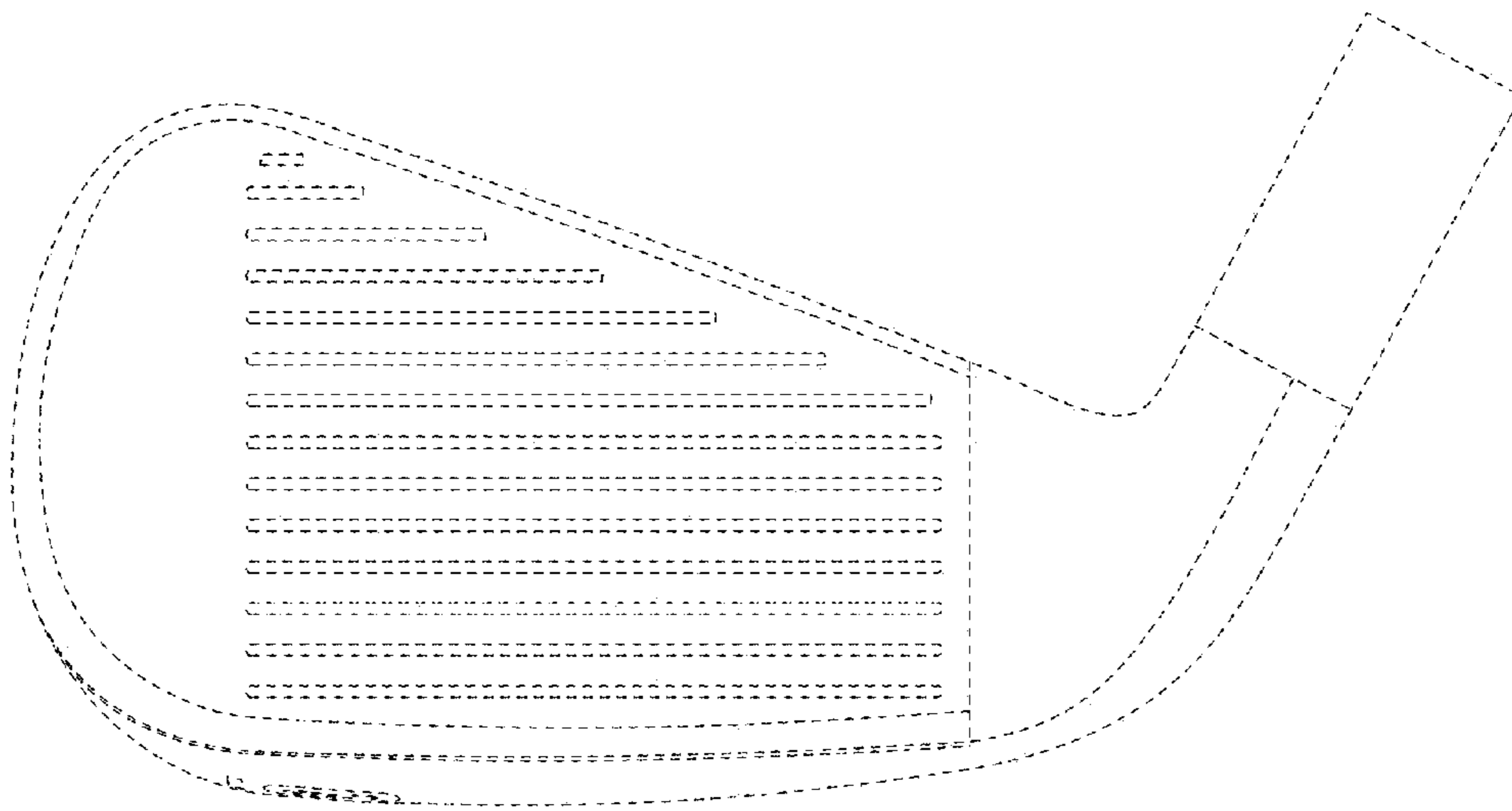


FIG. 2

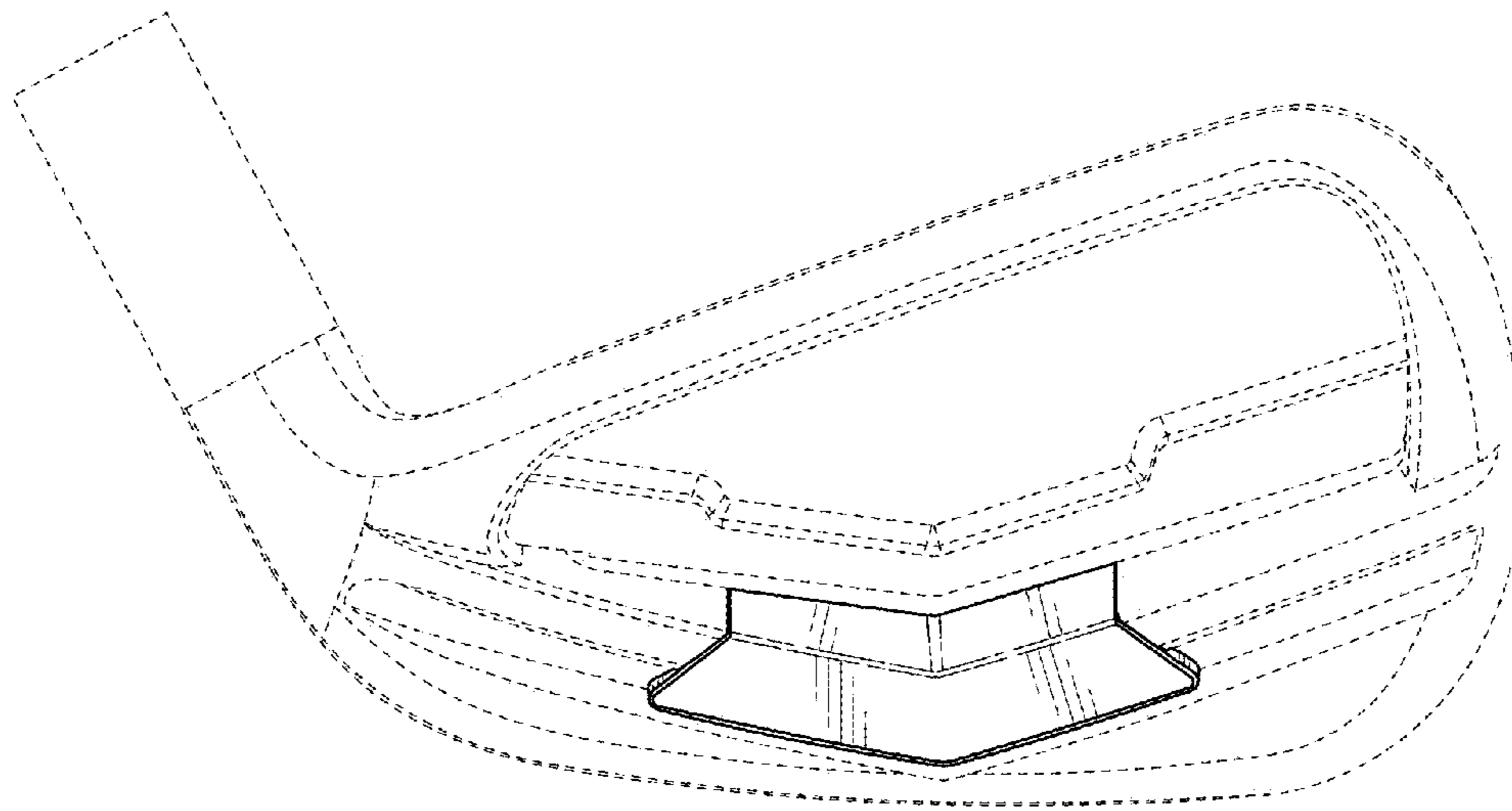


FIG. 3

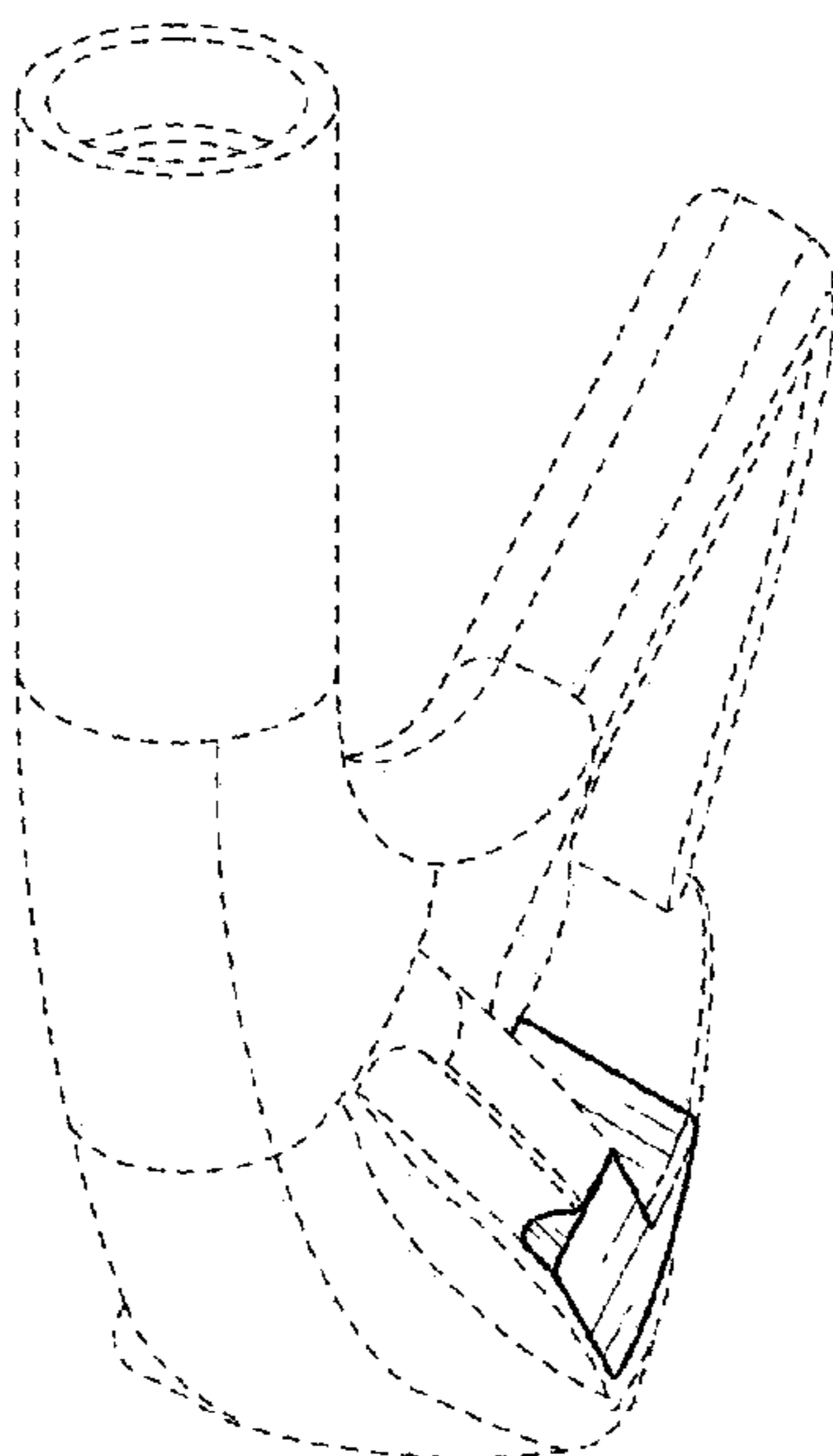


FIG. 4

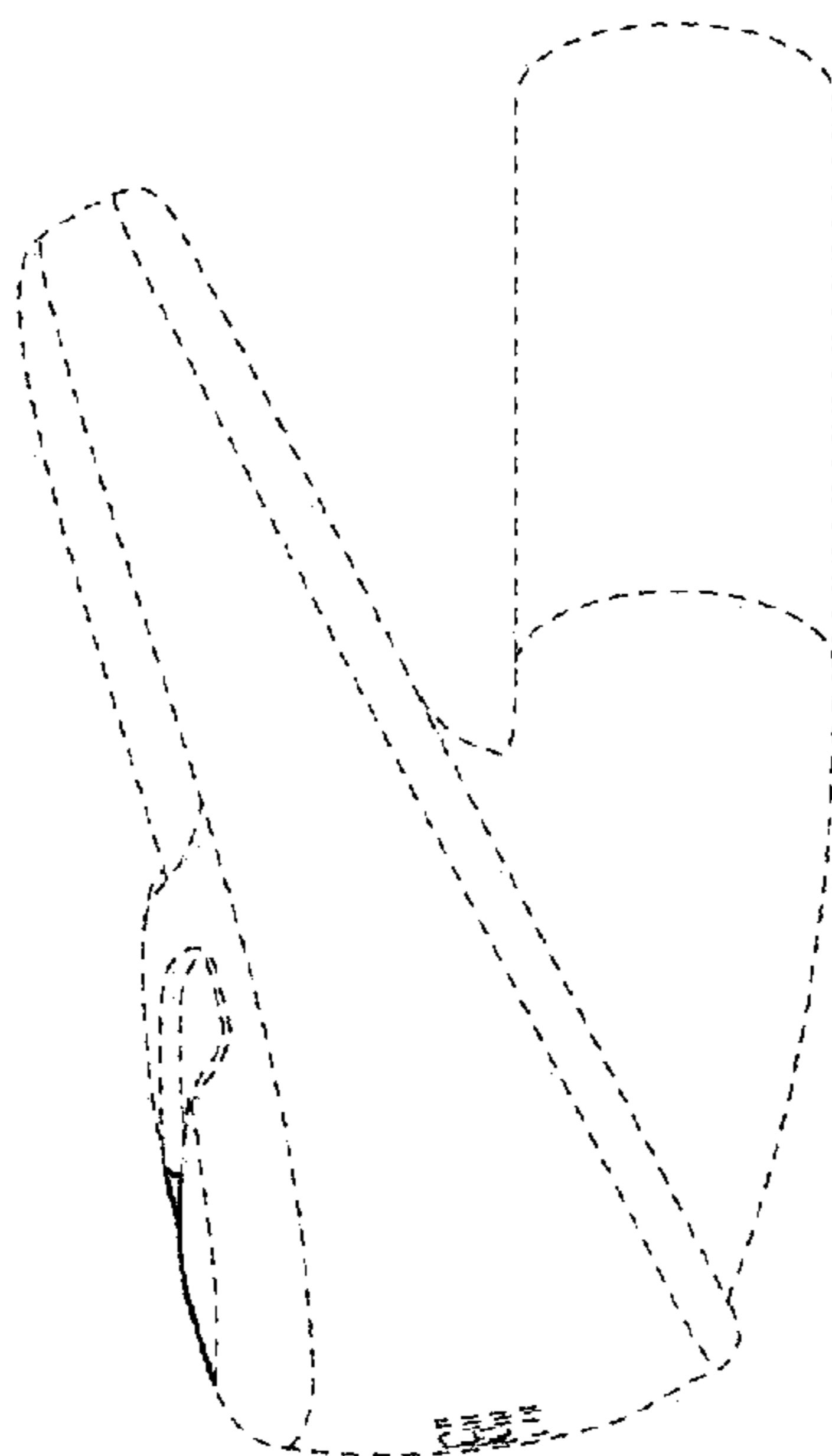


FIG. 5

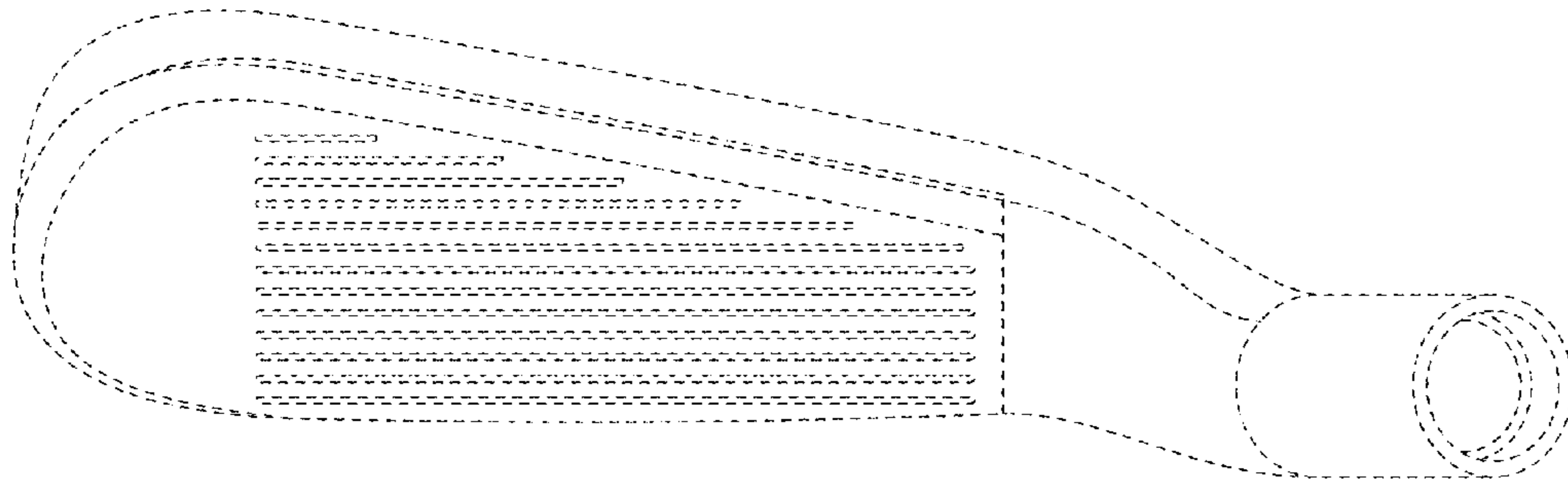


FIG. 6

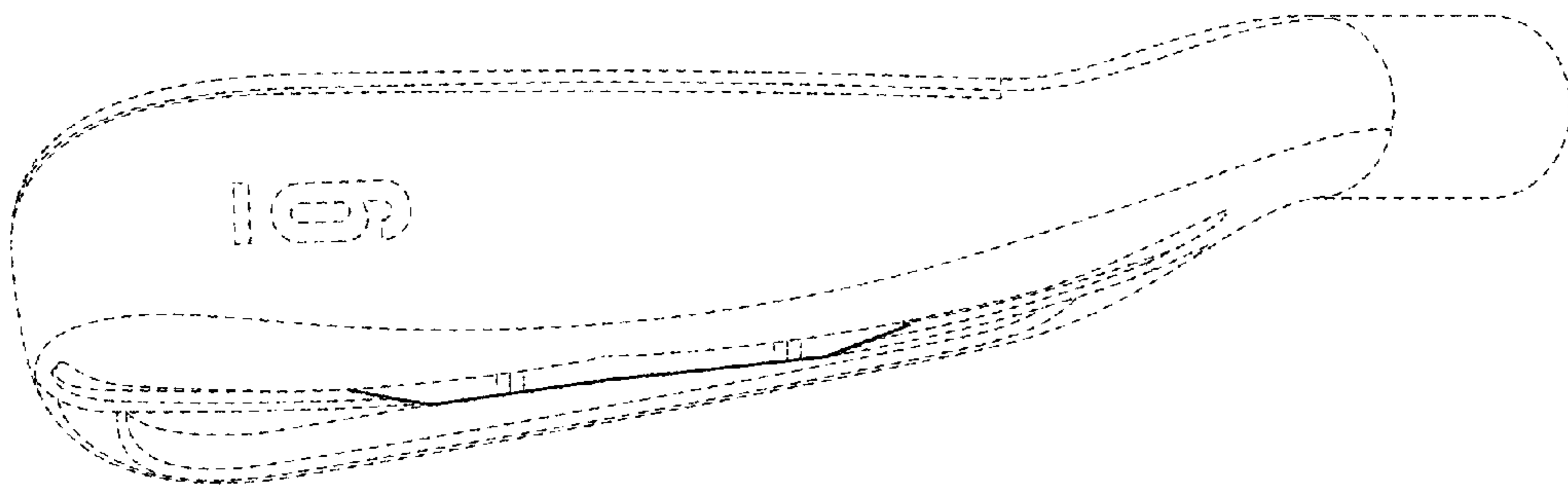


FIG. 7