



US00D715878S

(12) **United States Design Patent**
Gishi

(10) **Patent No.:** **US D715,878 S**

(45) **Date of Patent:** **** Oct. 21, 2014**

(54) **GOLF PUTTER HEAD**

(71) Applicant: **Robert Masayoshi Gishi**, Pearl City, HI
(US)

(72) Inventor: **Robert Masayoshi Gishi**, Pearl City, HI
(US)

(**) Term: **14 Years**

(21) Appl. No.: **29/463,434**

(22) Filed: **Nov. 19, 2013**

(51) **LOC (10) Cl.** **21-02**

(52) **U.S. Cl.**
USPC **D21/738**

(58) **Field of Classification Search**
CPC A63B 53/065; A63B 53/0487
USPC D21/736-746; 473/324-331, 340-341,
473/251-256

See application file for complete search history.

(56) **References Cited**

U.S. PATENT DOCUMENTS

D187,658 S *	4/1960	Holdstein	D21/728
D201,811 S *	8/1965	Kroll	D21/738
3,394,937 A *	7/1968	Allport	473/330
D303,559 S *	9/1989	Florian	D21/738
4,881,737 A *	11/1989	Mullins	473/330
D306,055 S *	2/1990	Morris	D21/738

D357,519 S *	4/1995	Ellickson et al.	D21/738
D391,329 S *	2/1998	English	D21/742
D399,546 S *	10/1998	Polzin	D21/738
D489,780 S *	5/2004	Sloboda	D21/738
D682,958 S *	5/2013	Gishi	D21/738

* cited by examiner

Primary Examiner — Mitchell Siegel

(74) *Attorney, Agent, or Firm* — Martin E. Hsia; Keri Ann Krzykowski

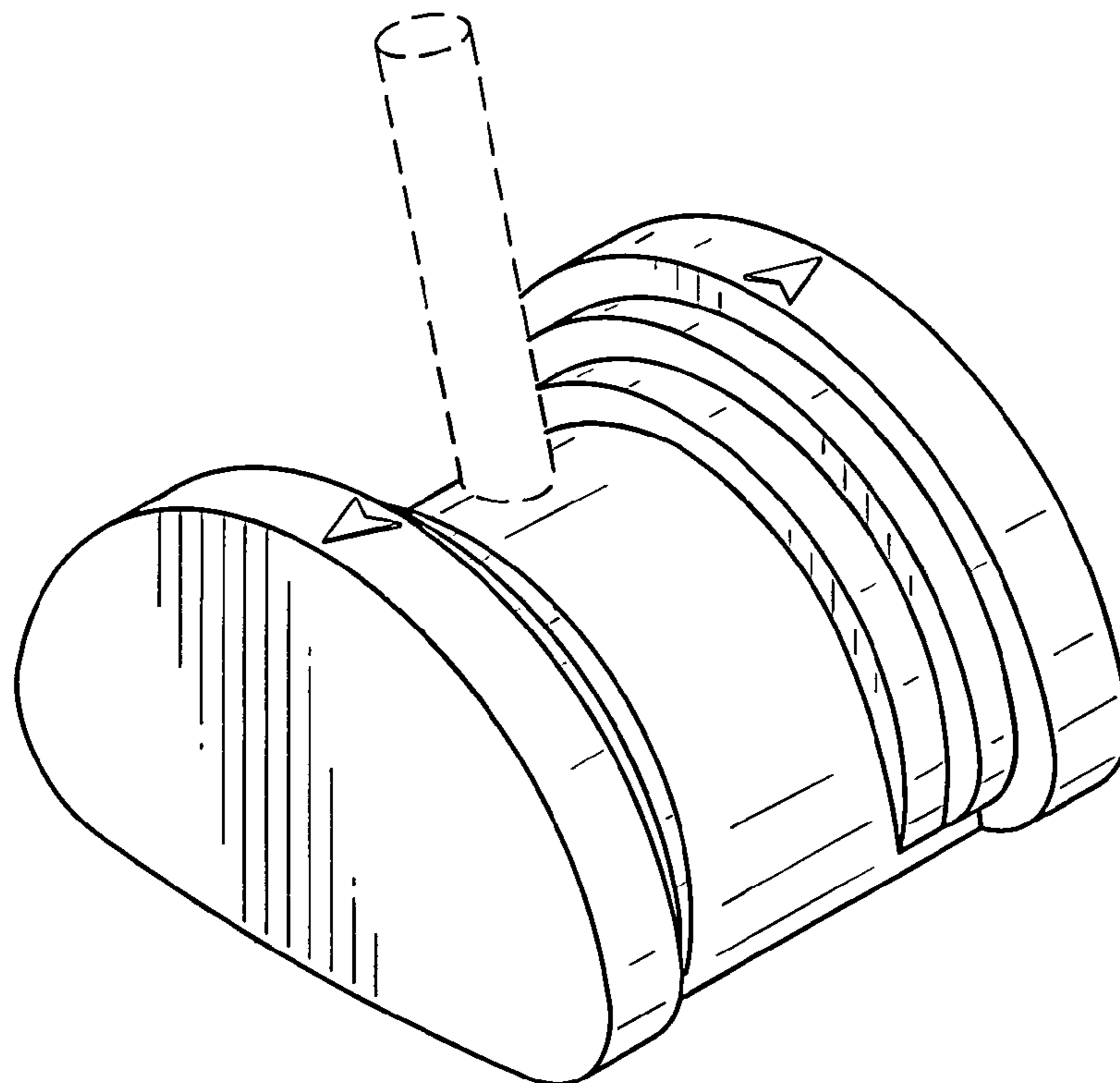
(57) **CLAIM**

The ornamental design for a golf putter head, as shown and described.

DESCRIPTION

FIG. 1 is a perspective view from the front right of the golf putter head of my new design;
 FIG. 2 is an elevational view thereof from the right;
 FIG. 3 is an elevation view thereof from the left;
 FIG. 4 is a top plan view thereof;
 FIG. 5 is a bottom plan view thereof;
 FIG. 6 is an elevational view thereof from the front, the elevational view thereof from the rear being the mirror image thereof;
 FIG. 7 is a perspective view thereof from the bottom rear; and,
 FIG. 8 is a perspective view thereof from the rear right.
 The broken lines in FIGS. 1-4 and 6-8 show unclaimed subject matter, and form no part of the claimed design.

1 Claim, 7 Drawing Sheets



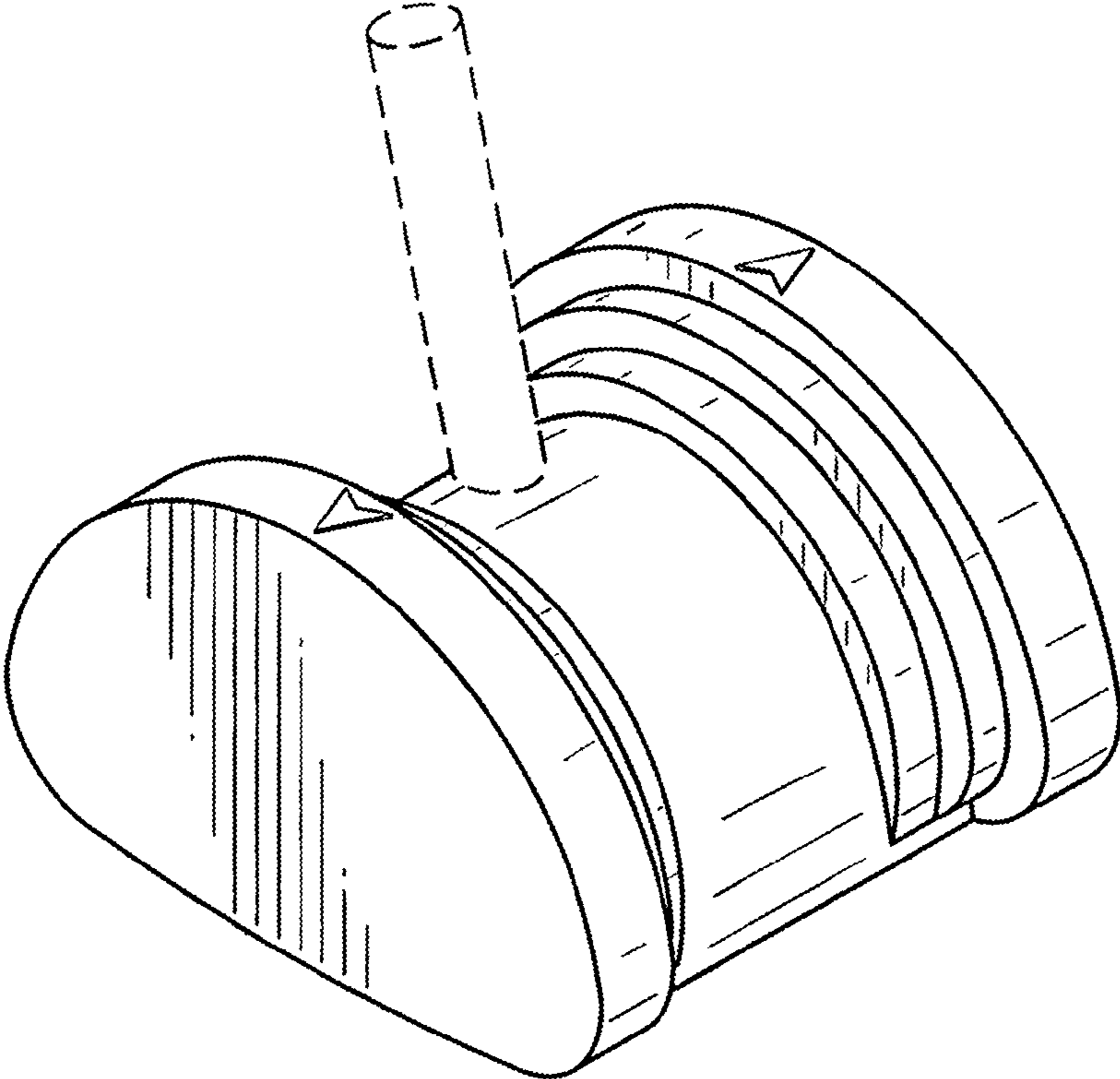


FIG. 1

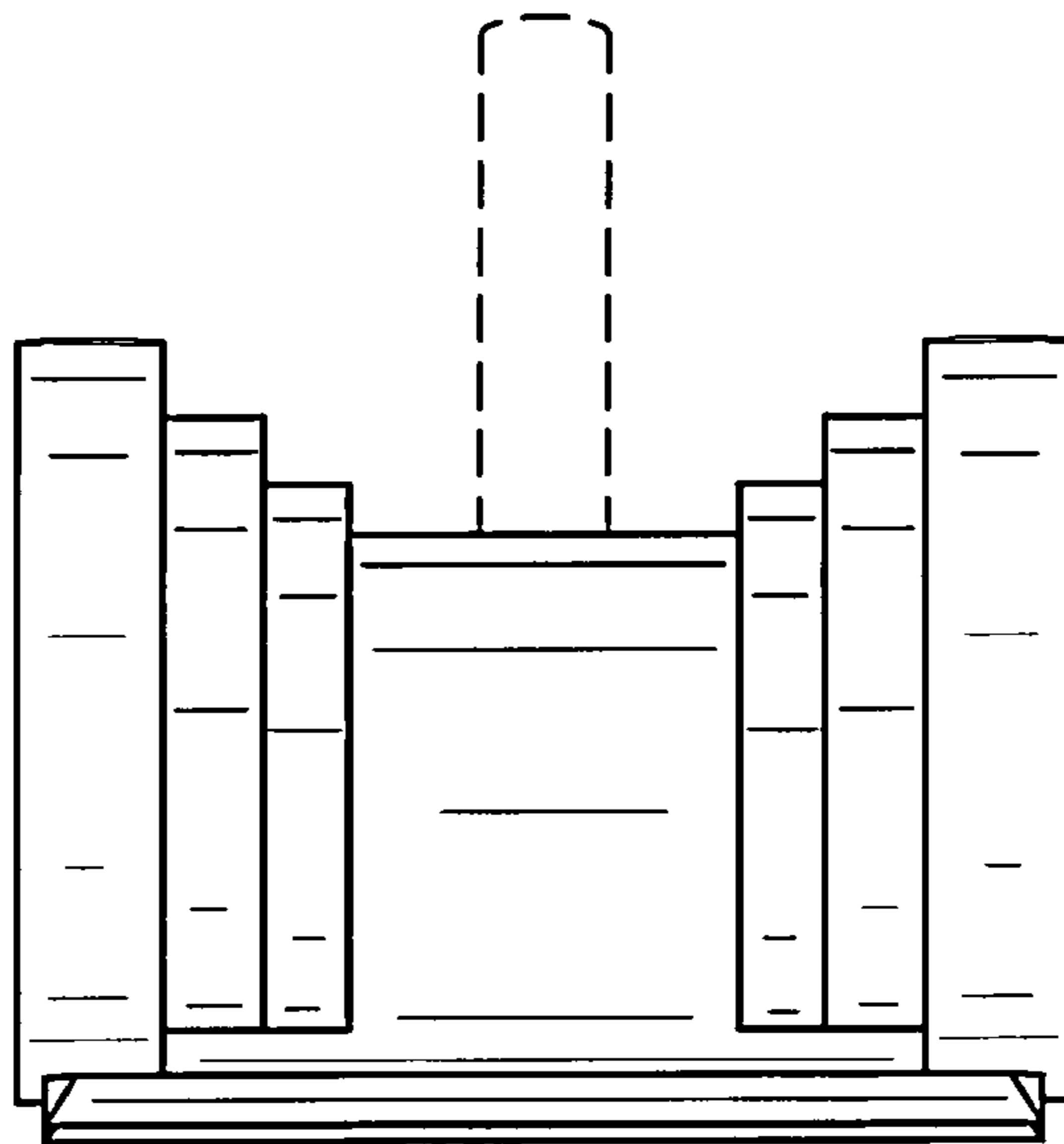


FIG. 2

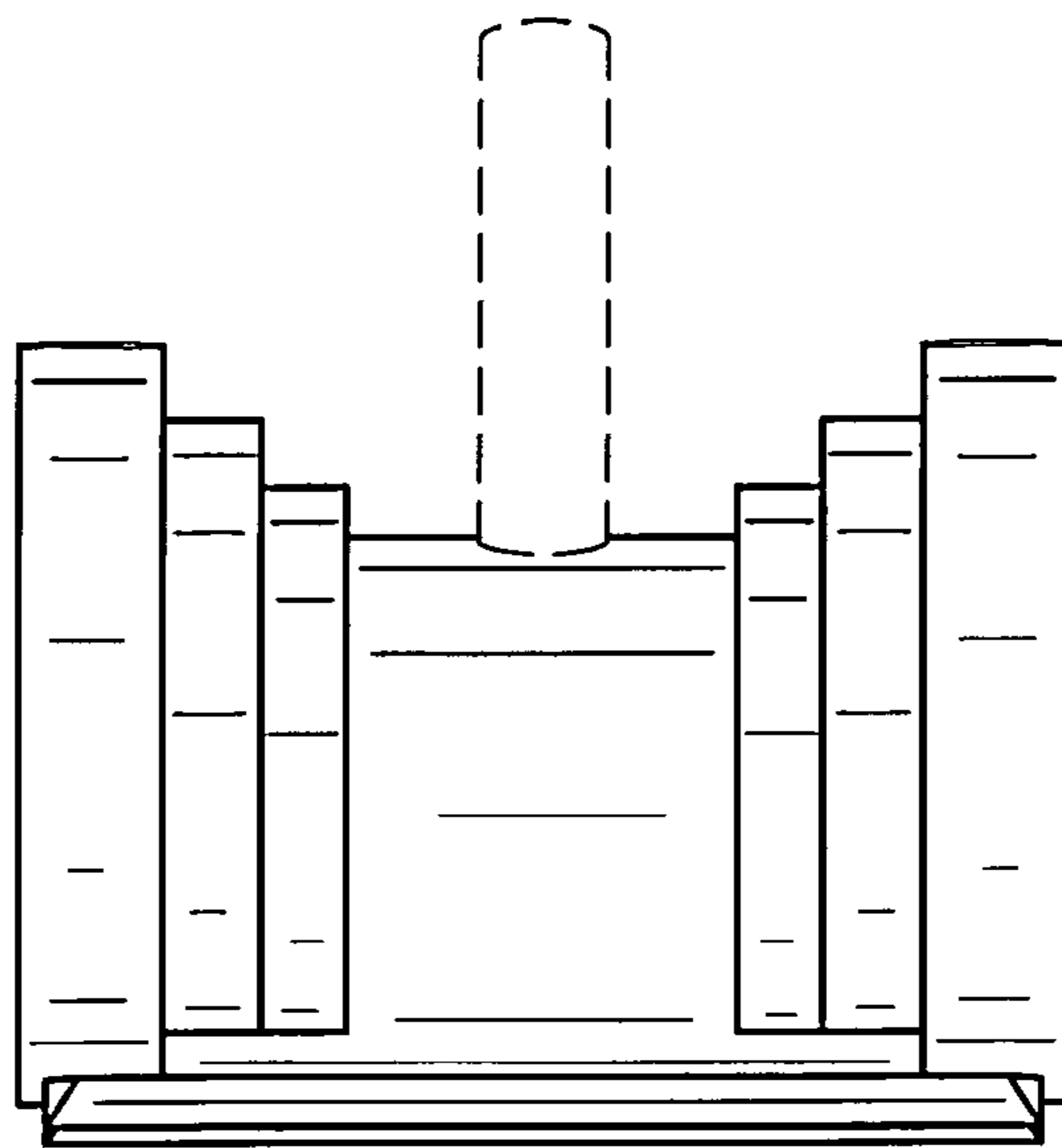


FIG. 3

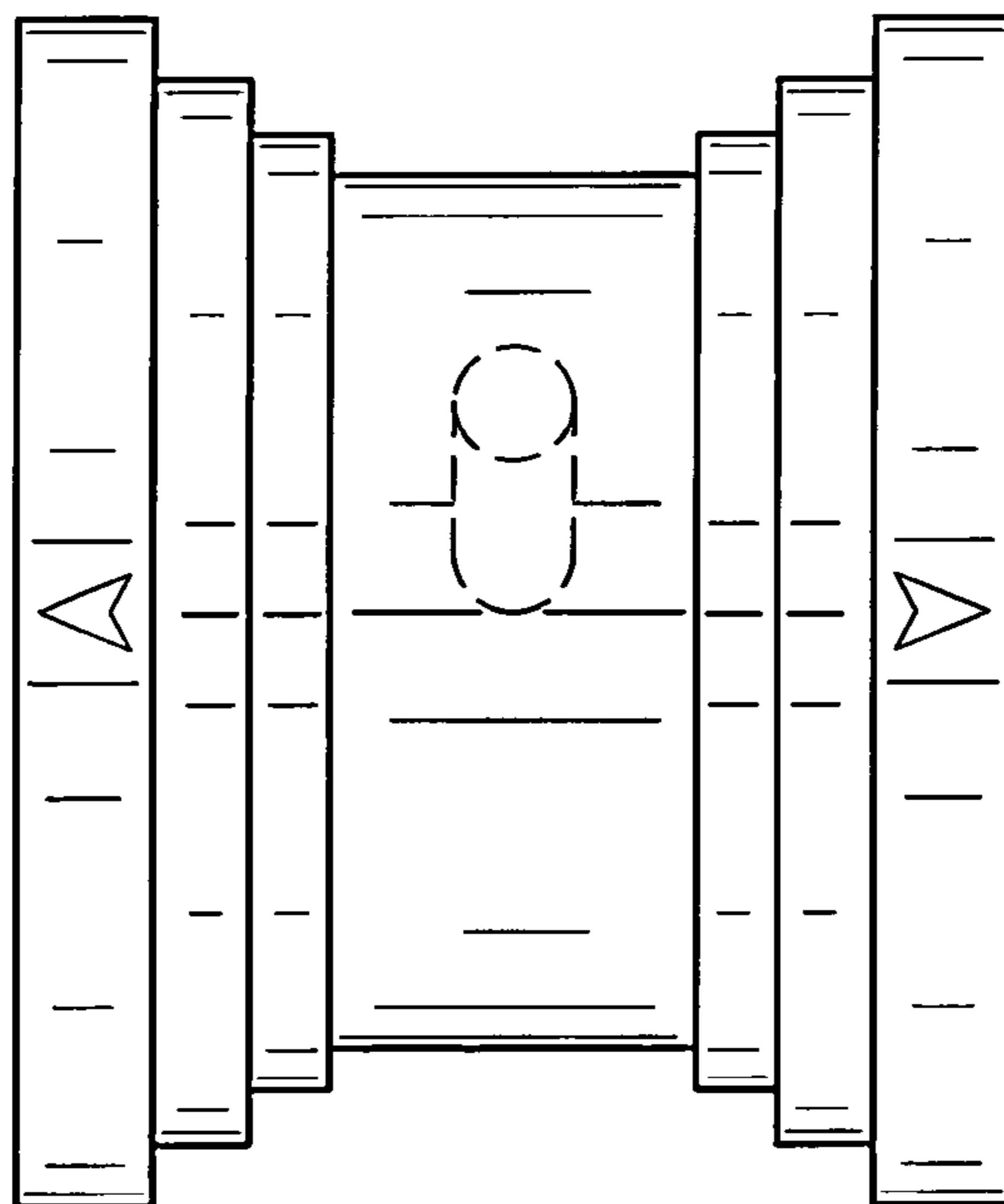


FIG. 4

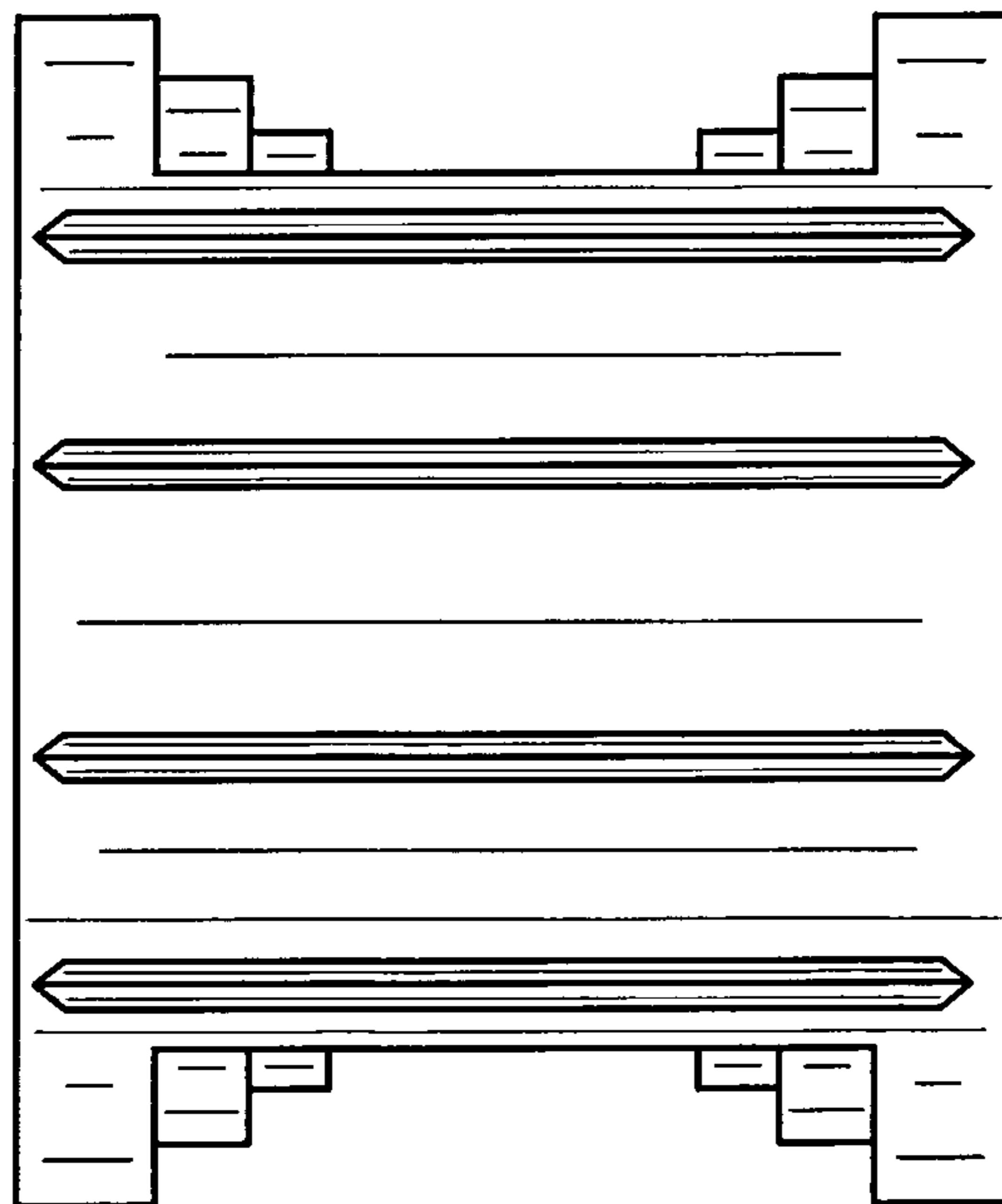


FIG. 5

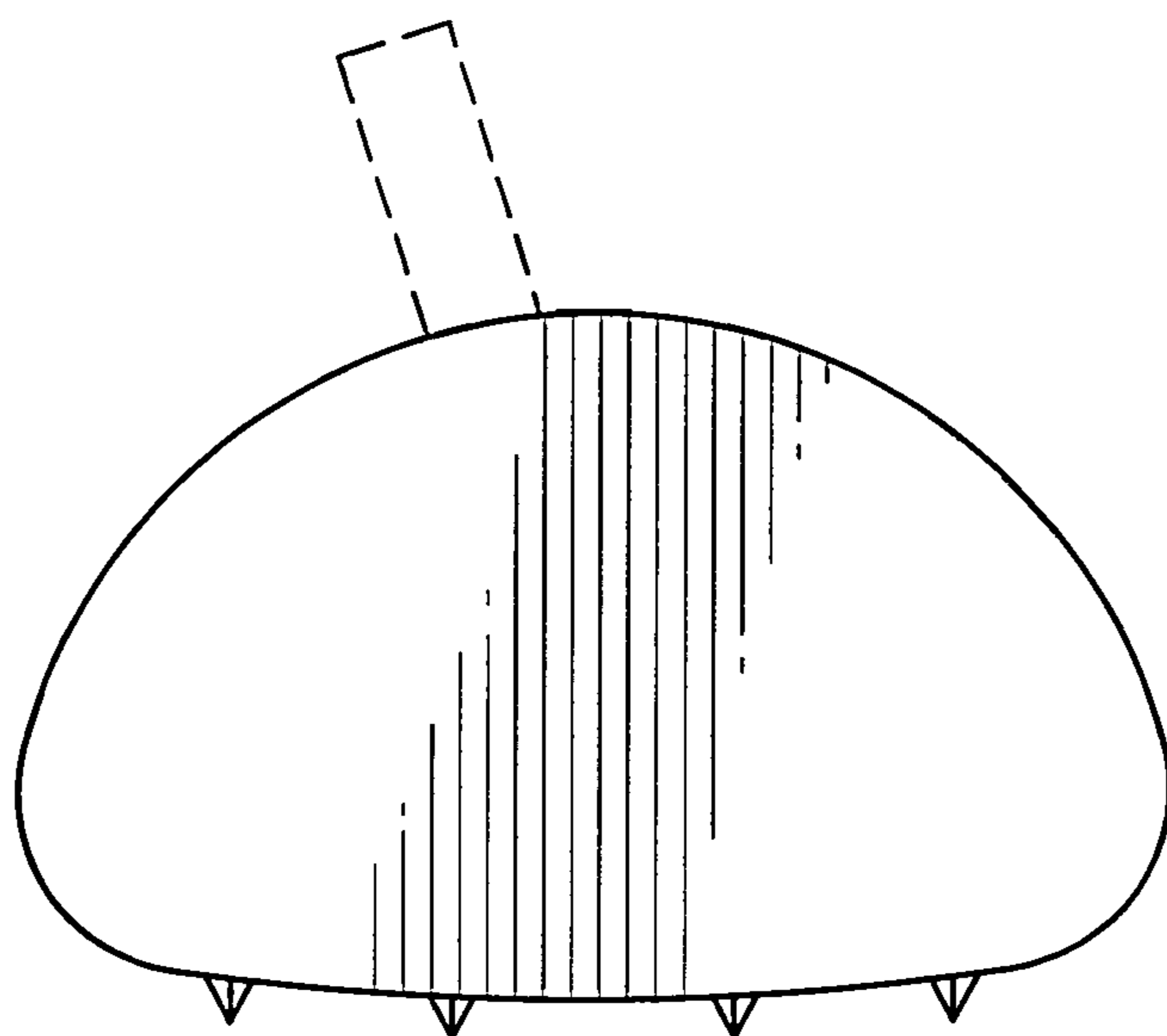


FIG. 6

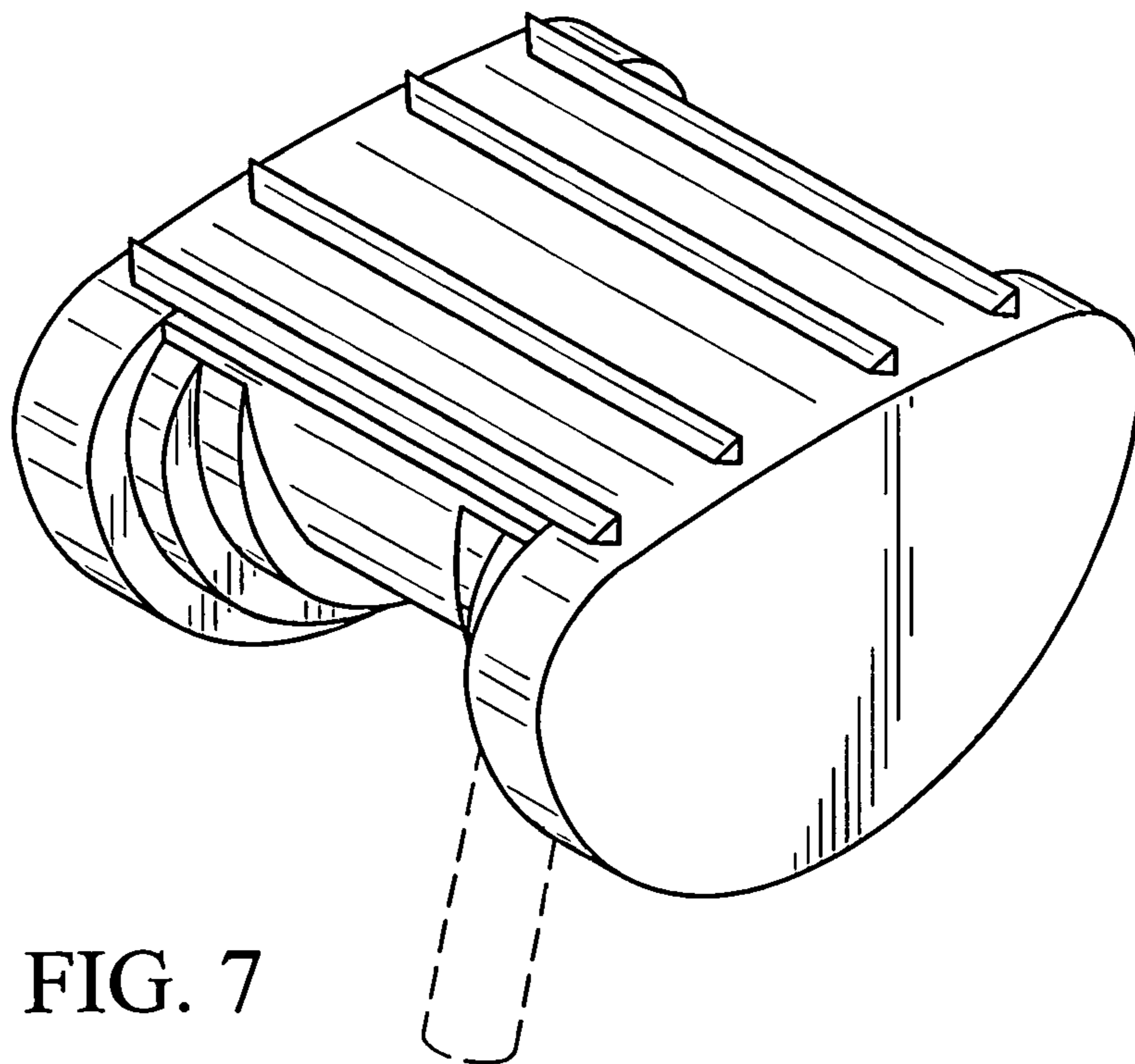


FIG. 7

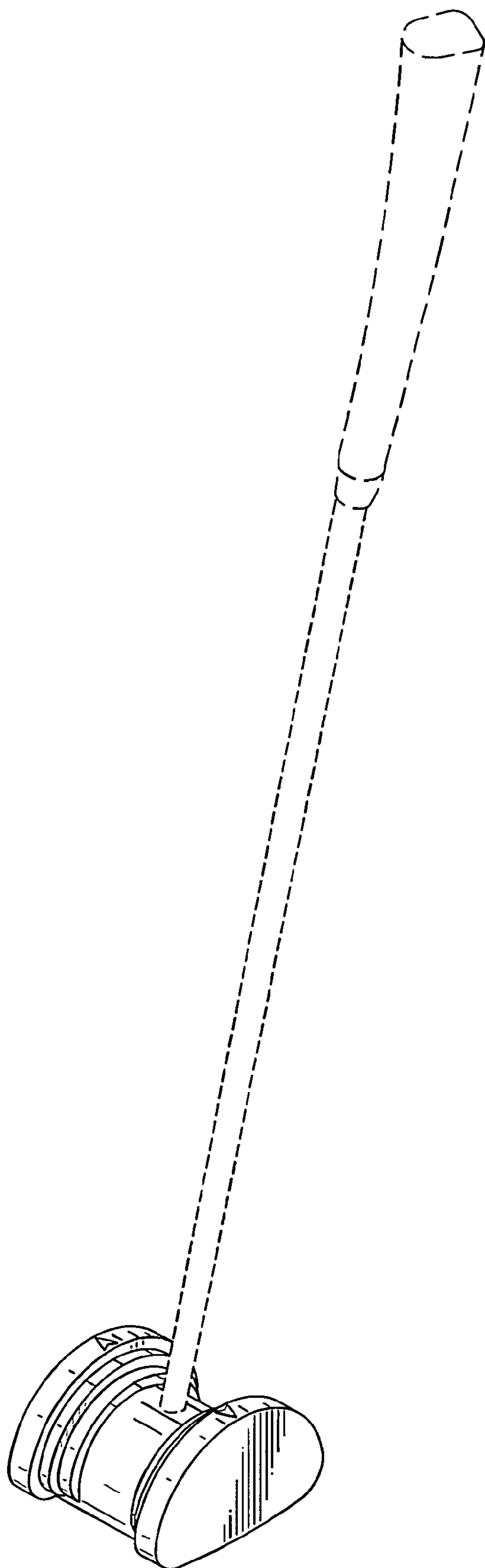


FIG. 8