



US00D715877S

(12) **United States Design Patent**
Carroll et al.

(10) **Patent No.:** **US D715,877 S**
(45) **Date of Patent:** **** Oct. 21, 2014**

(54) **GOLF TEE**
(71) Applicant: **Green Keepers, Inc.**, Philadelphia, PA (US)
(72) Inventors: **Francis Carroll**, Philadelphia, PA (US); **James Carroll, Jr.**, Richboro, PA (US)
(73) Assignee: **Greenkeepers, Inc.**, Philadelphia, PA (US)

3,672,077 A 6/1972 Coles
3,818,617 A 6/1974 Dassler et al.
4,309,376 A 1/1982 Ueno et al.
4,327,503 A 5/1982 Johnson
4,330,950 A 5/1982 Reddien
4,366,632 A 1/1983 Bente et al.
4,375,728 A 3/1983 Dassler et al.

(Continued)

(**) Term: **14 Years**
(21) Appl. No.: **29/483,881**

FOREIGN PATENT DOCUMENTS
EP 1072291 1/2001
JP 04189374 7/1992

(Continued)

(22) Filed: **Mar. 4, 2014**
(51) **LOC (10) Cl.** **21-02**
(52) **U.S. Cl.**
USPC **D21/718**
(58) **Field of Classification Search**
USPC D21/717-719, 789-796; 473/387-403
See application file for complete search history.

OTHER PUBLICATIONS

Advertisement for "Zero Friction Golf Tee," retrieved from www.zerofrictiontees.com on Aug. 28, 2008, <http://www.zerofrictiontees.com/Products.html>.

(Continued)

(56) **References Cited**

Primary Examiner — Catherine Tuttle
(74) *Attorney, Agent, or Firm* — Blank Rome LLP

U.S. PATENT DOCUMENTS

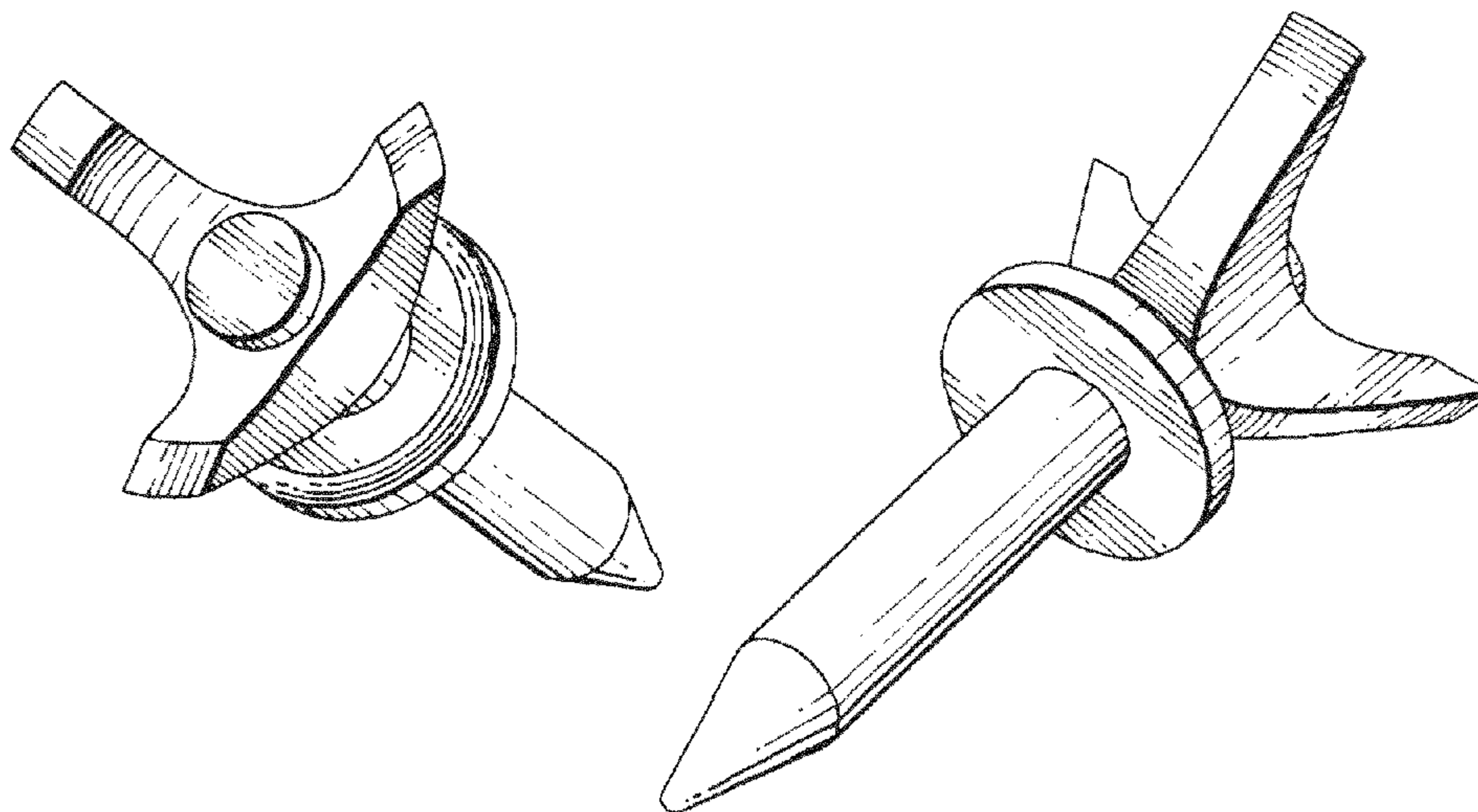
(57) **CLAIM**
The ornamental design for a golf tee, as shown and described.

638,920 A	12/1899	Grant	
1,551,207 A	8/1925	Nial et al.	
1,554,321 A	9/1925	Banigan	
1,573,911 A	2/1926	Budrow	
1,588,038 A	6/1926	Miller	
1,625,911 A *	4/1927	Richards	473/398
1,638,448 A *	8/1927	Manson	473/394
1,638,527 A *	8/1927	Clausing	473/402
1,679,579 A	8/1928	Lundy	
D78,530 S	5/1929	McLeod	
2,531,470 A	11/1950	Richard	
D181,633 S *	12/1957	de la Fariest	D21/718
D200,543 S	3/1965	Thomte	
3,414,268 A	12/1968	Chase	
3,633,919 A	1/1972	Liccardello	
3,645,537 A	2/1972	Parenteau	
3,656,245 A	4/1972	Wilson	

DESCRIPTION

FIG. 1 is a top perspective view of the golf tee showing our new design;
FIG. 2 is a bottom perspective view thereof;
FIG. 3 is a top plan view thereof;
FIG. 4 is a bottom plan view thereof;
FIG. 5 is a side elevation view thereof;
FIG. 6 is another elevation view rotated 60°, 180° or 300° from FIG. 5; and,
FIG. 7 is another elevation view rotated 30°, 150° or 270° from FIG. 5.

1 Claim, 2 Drawing Sheets



(56)

References Cited

U.S. PATENT DOCUMENTS

4,392,312 A 7/1983 Crowley et al.
 4,516,780 A * 5/1985 Tabet 473/398
 4,527,345 A 7/1985 Lopez Lopez et al.
 4,837,949 A 6/1989 Dufour et al.
 4,885,851 A 12/1989 Peterson
 D315,766 S * 3/1991 Lemon D21/718
 5,372,362 A 12/1994 Barker
 5,413,348 A 5/1995 Basso
 D369,845 S 5/1996 Knez
 5,581,913 A 12/1996 Kataoka et al.
 D393,301 S * 4/1998 Koskela D21/718
 6,186,907 B1 * 2/2001 Woodward 473/400
 D485,317 S * 1/2004 Cardarelli D21/718
 6,849,008 B1 2/2005 Wang
 D511,193 S * 11/2005 Trawoger D21/718
 D516,146 S 2/2006 Iacono et al.
 7,011,586 B2 3/2006 Toyosawa et al.
 7,090,594 B2 8/2006 Kawashima et al.
 7,156,758 B2 1/2007 Lu
 D542,366 S * 5/2007 Iacono et al. D21/717
 D543,597 S 5/2007 Lee et al.
 7,344,456 B2 3/2008 Hayton
 D566,802 S 4/2008 Carroll et al.
 D573,210 S * 7/2008 Gies D21/718
 7,704,166 B2 4/2010 Lim
 8,403,776 B1 * 3/2013 Gruenwald 473/387
 D705,878 S * 5/2014 Humphrey D21/717
 2002/0198066 A1 12/2002 Salsman

2004/0166964 A1 8/2004 Toyosawa et al.
 2005/0003907 A1 1/2005 Ijiri
 2005/0130769 A1 6/2005 Olsen
 2005/0187041 A1 8/2005 Kawashima et al.
 2006/0276269 A1 12/2006 Kihara
 2007/0149324 A1 6/2007 Tsai
 2007/0298910 A1 12/2007 Potempa et al.
 2008/0182684 A1 7/2008 Carroll et al.
 2010/0173730 A1 * 7/2010 Iacono et al. 473/398

FOREIGN PATENT DOCUMENTS

JP 2005021611 A 1/2005
 JP 2005296330 10/2005
 JP 2006341016 A 12/2006
 JP D1333424 * 6/2008
 KR 20010099365 11/2001
 WO 2005/032668 4/2005

OTHER PUBLICATIONS

Microfilmed Text of Japanese Utility Model Application No. SHO 47-117361 (Japanese Utility Model Public Disclosure No. SHO 49-73560).
 Microfilmed Text of Utility Model Application No. HEI 2-59955 (Japanese Utility Model Public Disclosure No. HEI 4-18553).
 Japanese Patent Public Disclosure No. 2005-296330.
 Microfilmed Text of Utility Model Application No. SHO 48-73686 (Japanese Utility Model Public Disclosure No. SHO 50-20773).

* cited by examiner

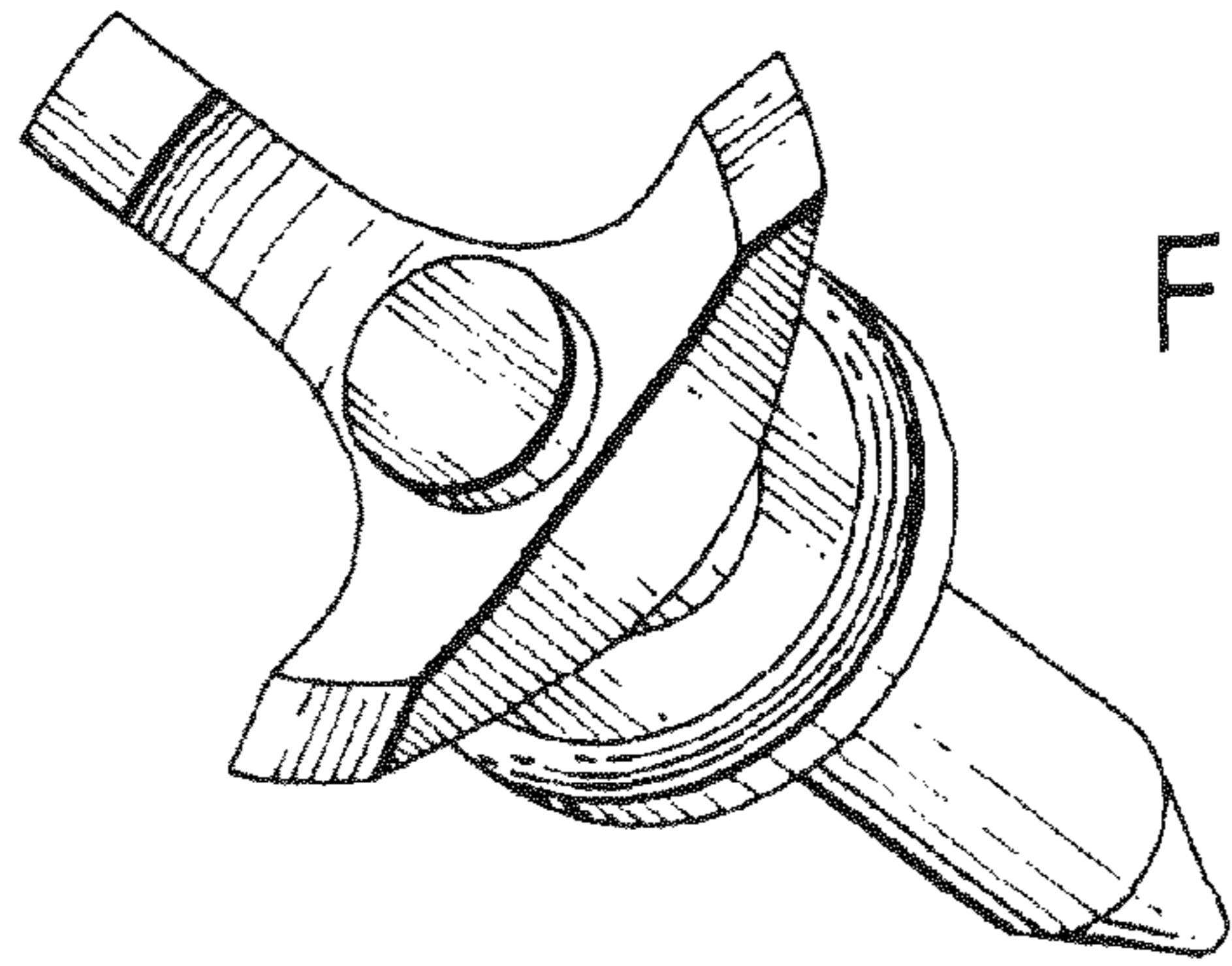


FIG. 1

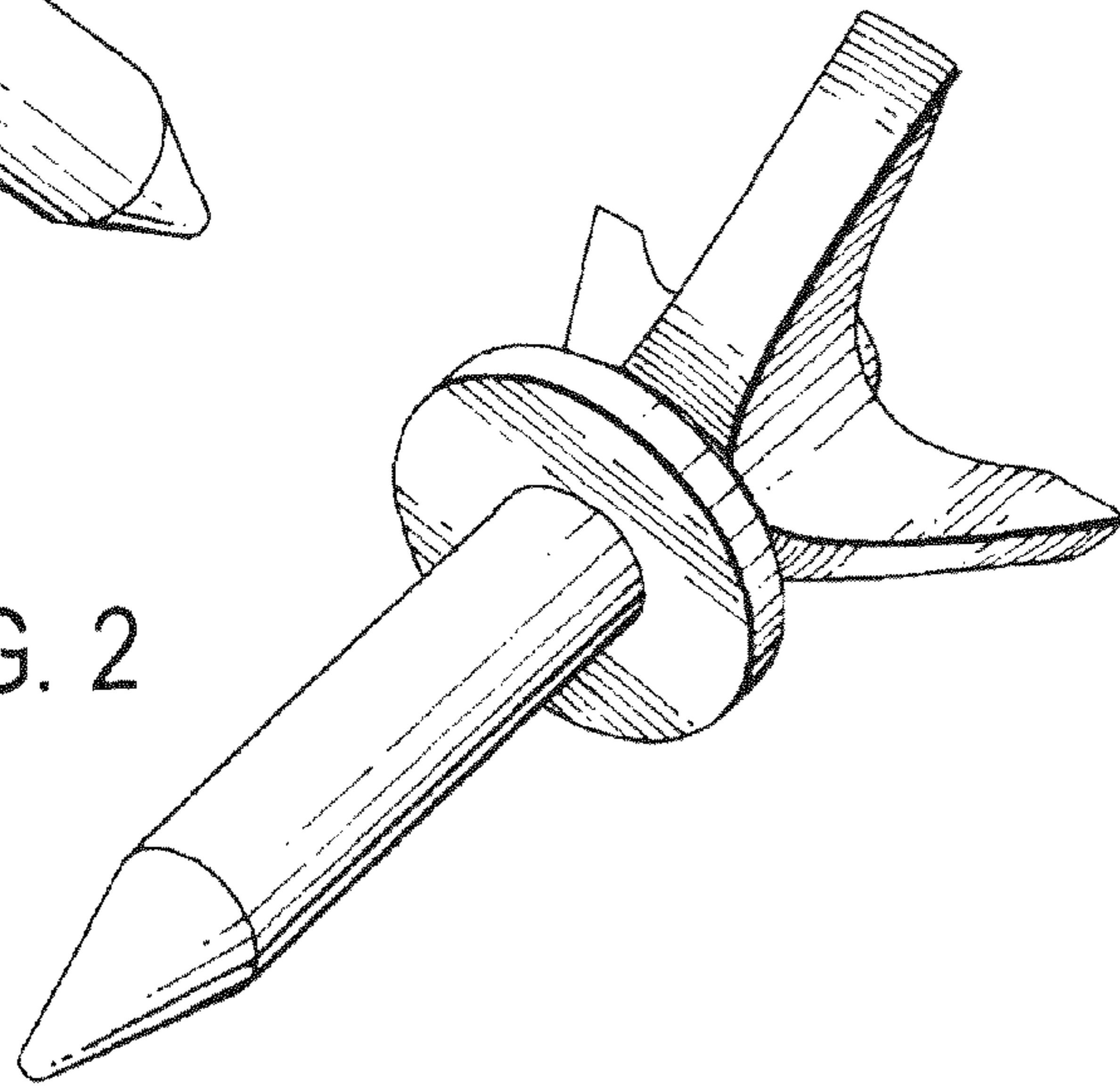


FIG. 2

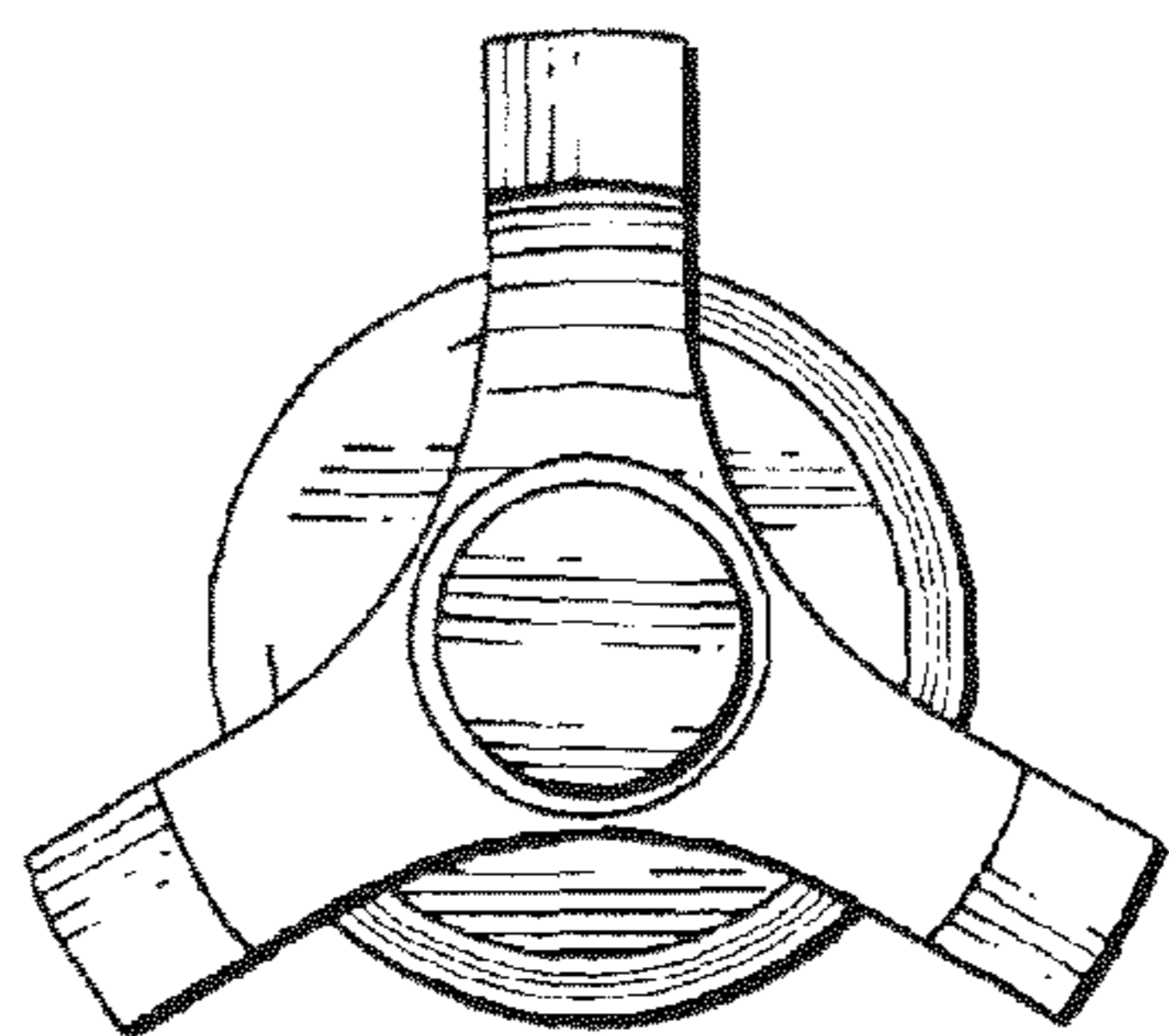


FIG. 3

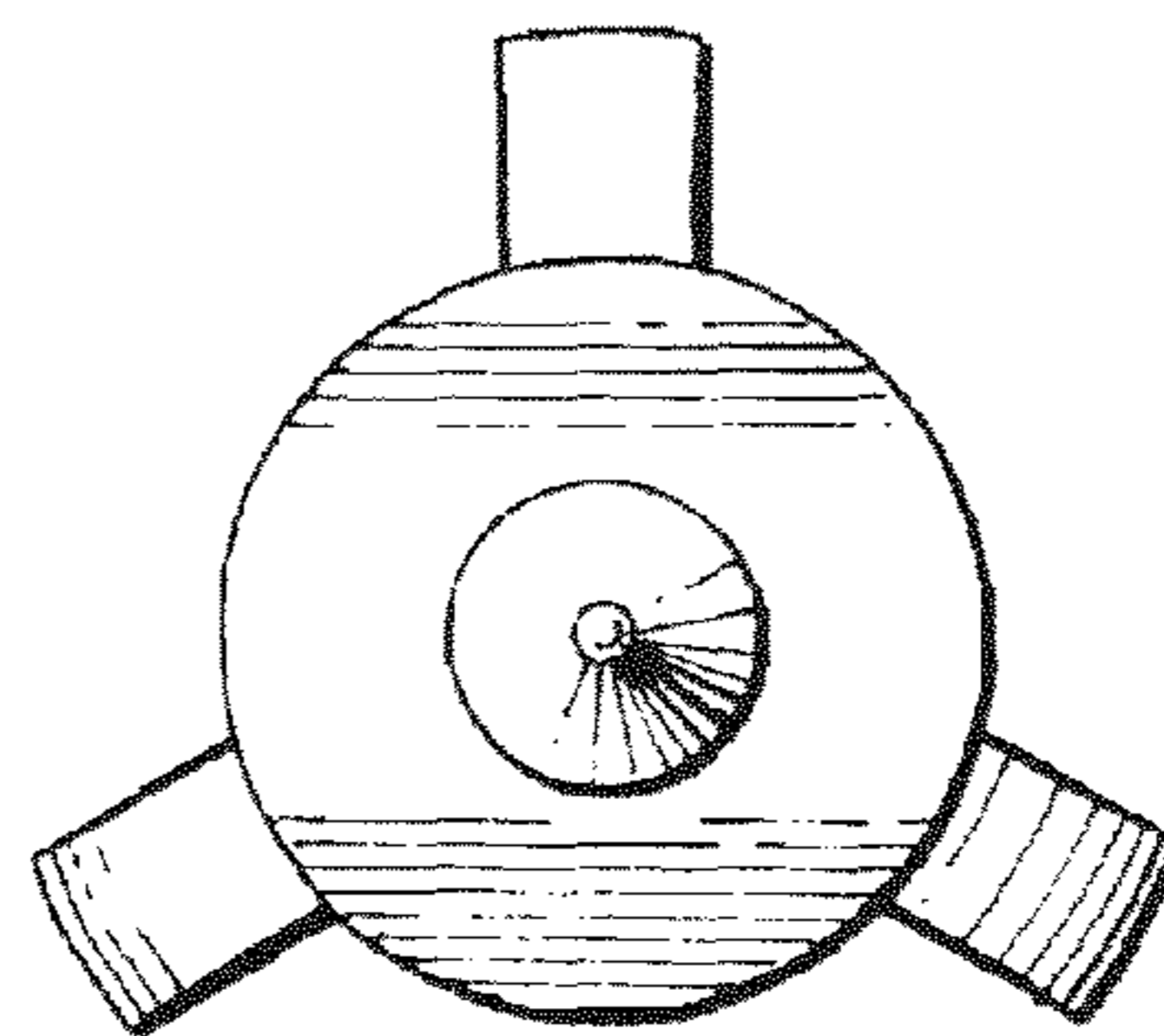


FIG. 4

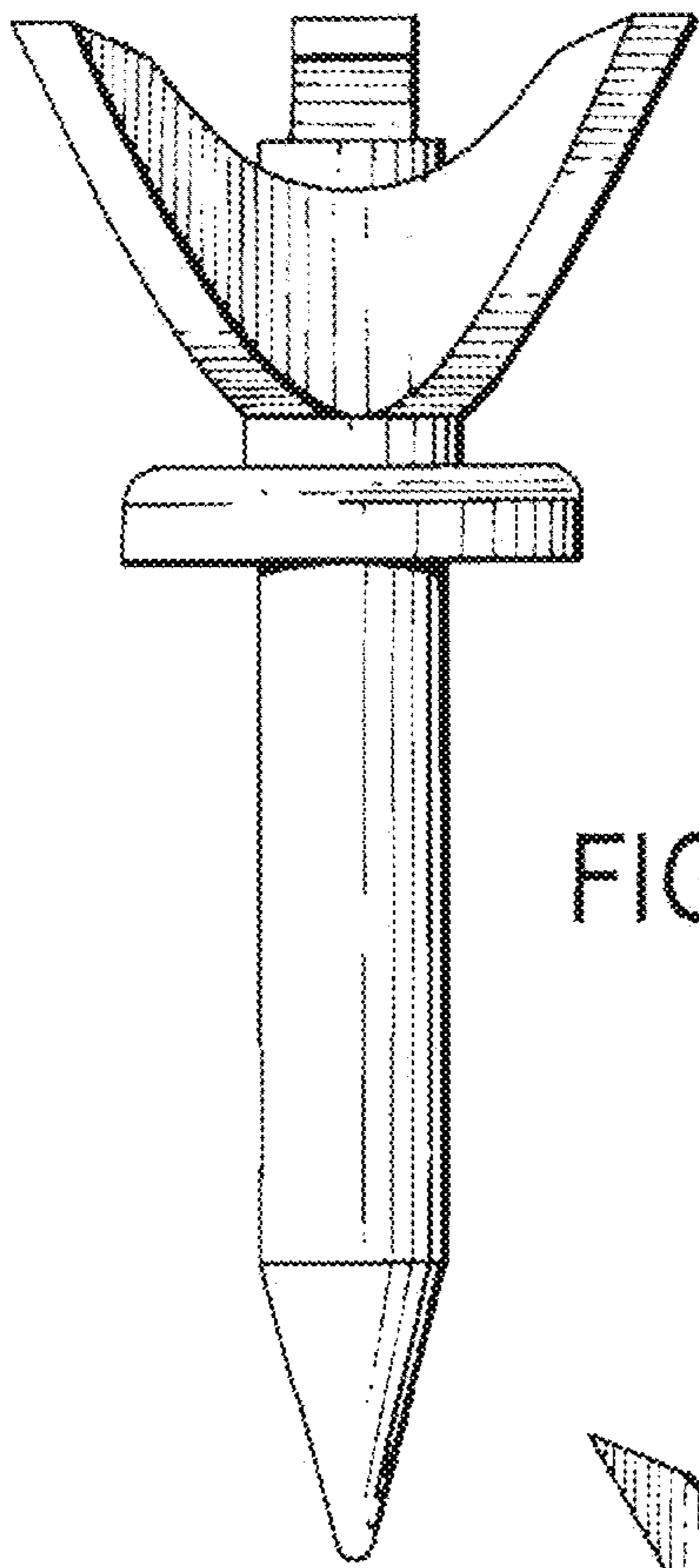


FIG. 5

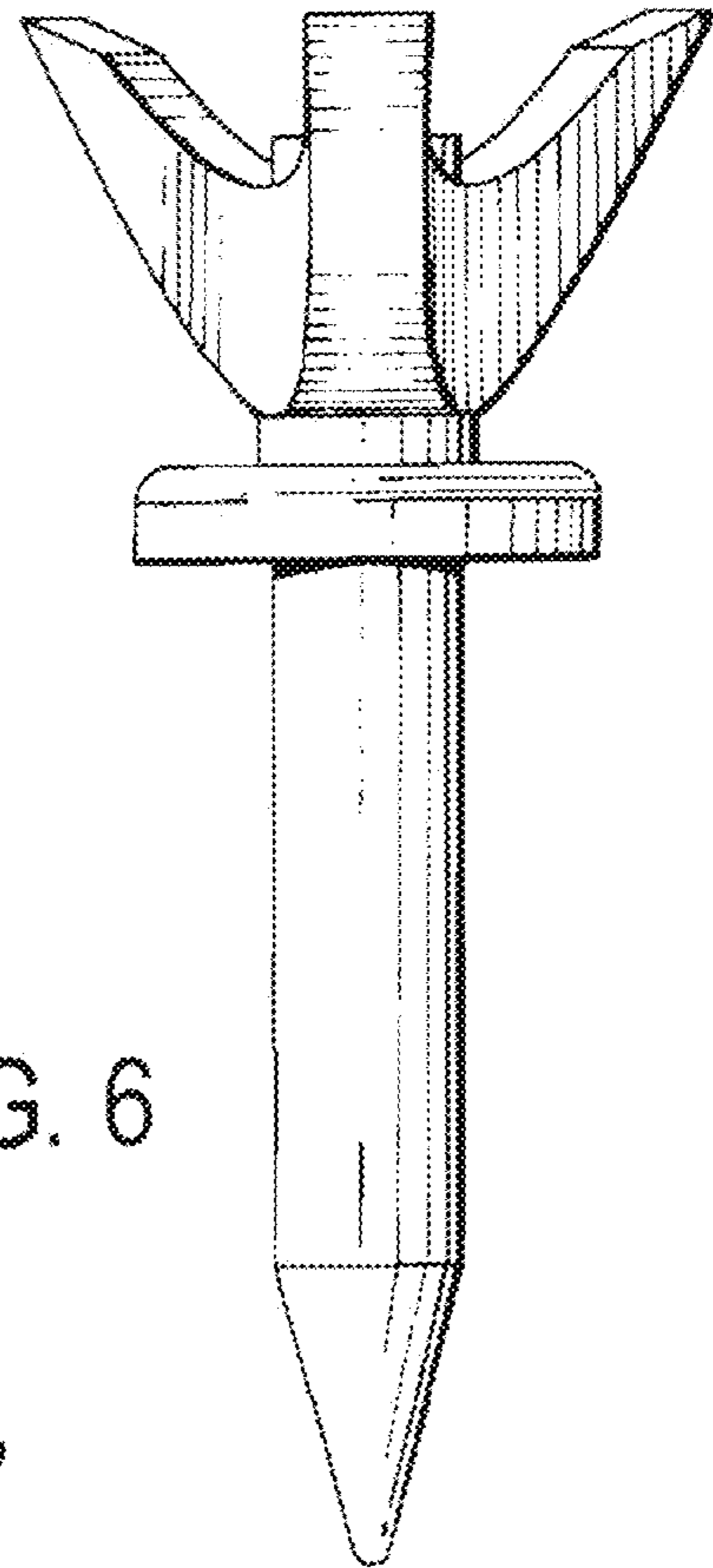


FIG. 6

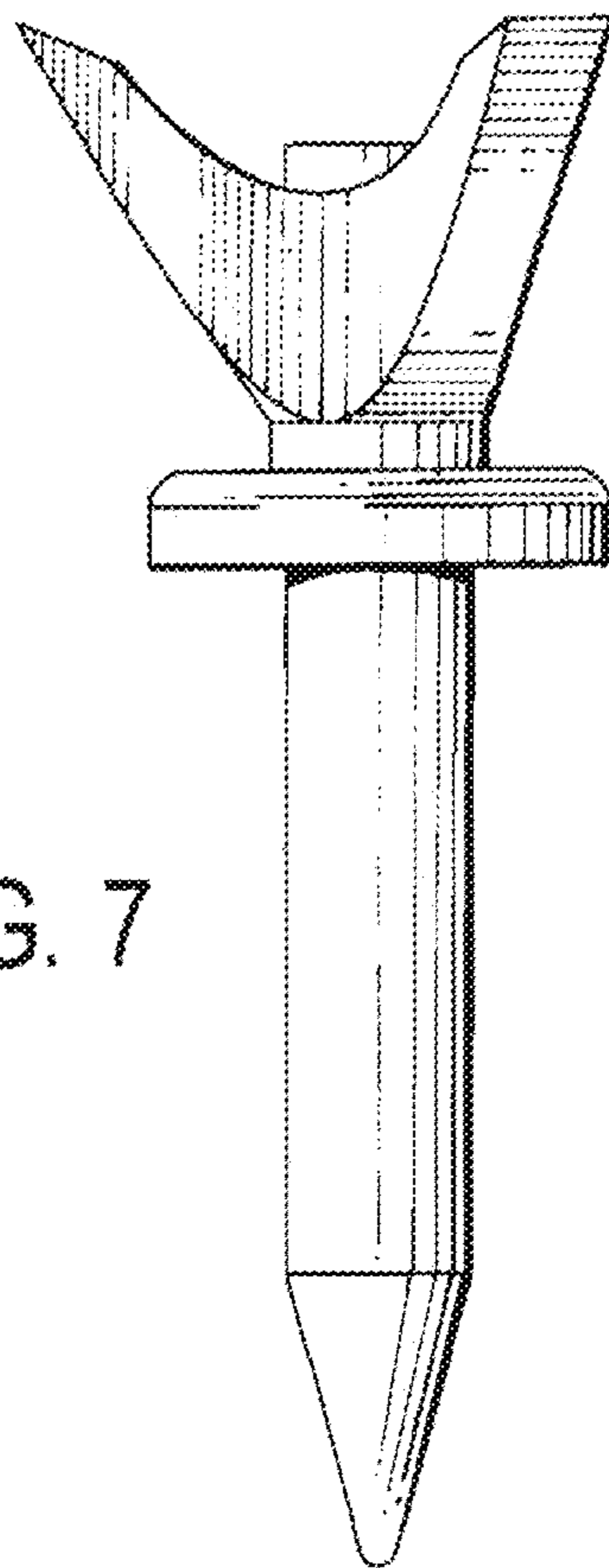


FIG. 7