



US00D715868S

(12) **United States Design Patent**
Moser

(10) **Patent No.:** **US D715,868 S**
(45) **Date of Patent:** **** Oct. 21, 2014**

(54) **BOARD STOWABLE CARD TABLE**

(71) Applicant: **Erwin Moser**, Greenville, SC (US)

(72) Inventor: **Erwin Moser**, Greenville, SC (US)

(**) Term: **14 Years**

(21) Appl. No.: **29/477,244**

(22) Filed: **Dec. 20, 2013**

(51) **LOC (10) Cl.** **21-01**

(52) **U.S. Cl.**
USPC **D21/397**

(58) **Field of Classification Search**
USPC D21/307–308, 334–368, 376–397;
273/236–287, 288–291; 40/771;
312/117; D6/300

See application file for complete search history.

(56) **References Cited**

U.S. PATENT DOCUMENTS

1,487,734	A	3/1924	Fay	
2,040,432	A	5/1936	Dieman	
3,297,375	A *	1/1967	Reeves	312/117
5,371,963	A *	12/1994	Gallagher	40/771
6,003,963	A	12/1999	Grender	
6,715,849	B2	4/2004	Fink	
6,823,804	B2	11/2004	Arnell	
D654,960	S *	2/2012	Bruzzaniti et al.	D21/397

* cited by examiner

Primary Examiner — George D Kirschbaum

(74) *Attorney, Agent, or Firm* — Daniel Boudwin; Global Intellectual Property Agency LLC

(57) **CLAIM**

The ornamental design for a board stowable card table, as shown and described.

DESCRIPTION

FIG. 1 shows a perspective view of the board stowable card table.

FIG. 2 shows a perspective view of the board stowable card table with a board being removed from the storage area thereof.

FIG. 3 shows a perspective view of the internal structure of the board stowable card table, wherein its upper surface is removed for clarity and the tray support gussets are highlighted.

FIG. 4 shows a front view of the board stowable card table.

FIG. 5 shows a rear view of the board stowable card table.

FIG. 6 shows a side view of the board stowable card table.

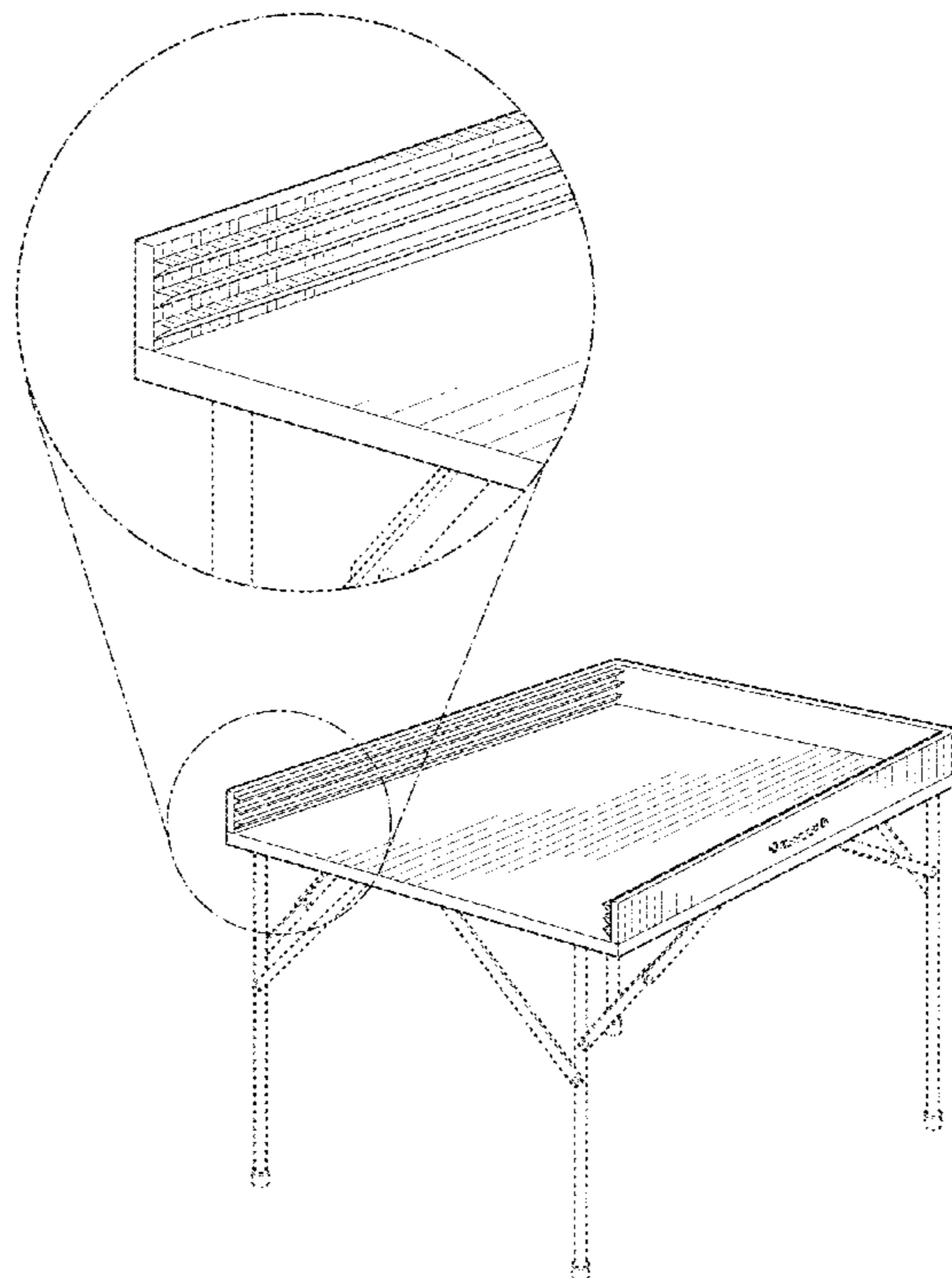
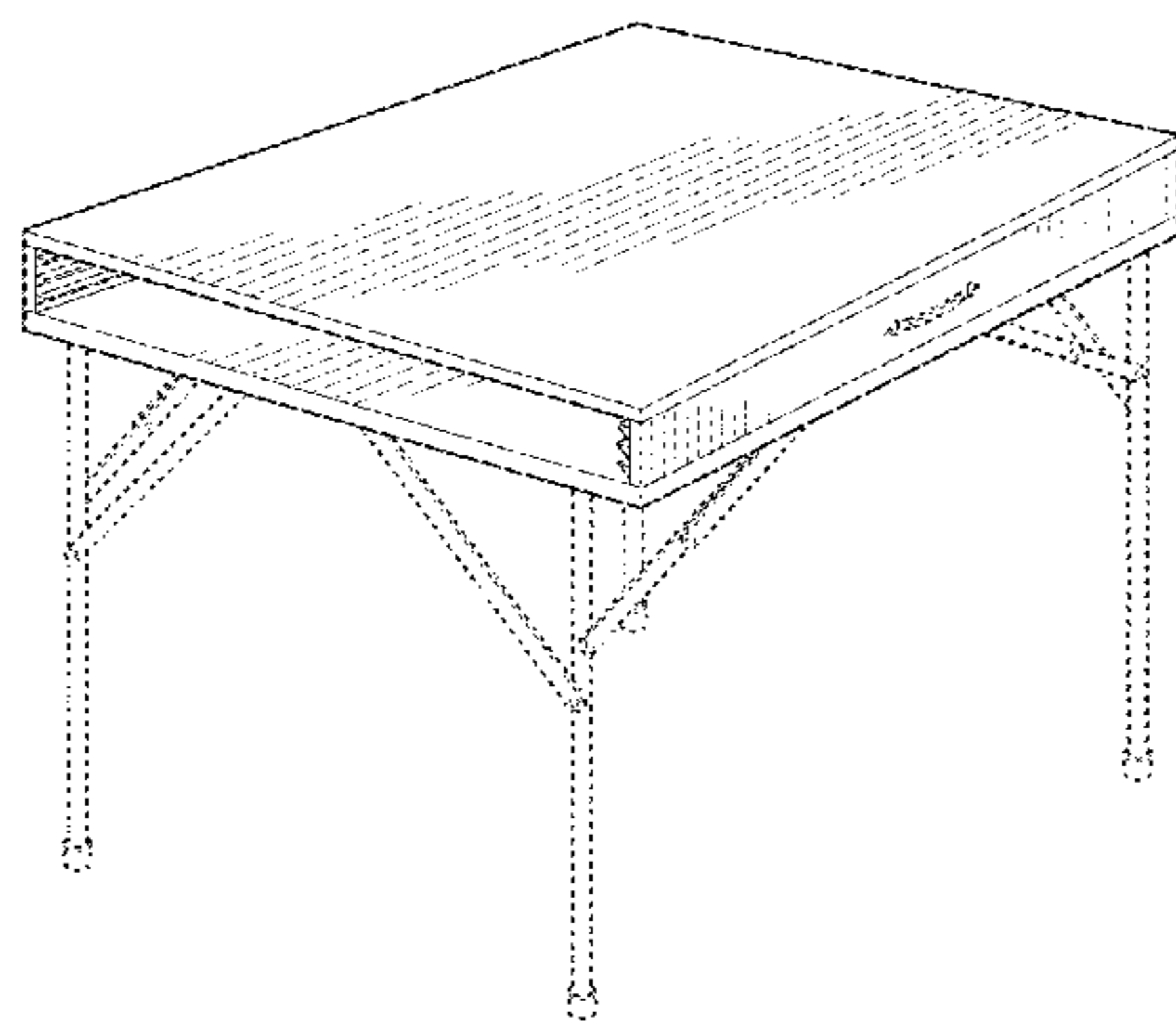
FIG. 7 shows a second side view of the board stowable card table.

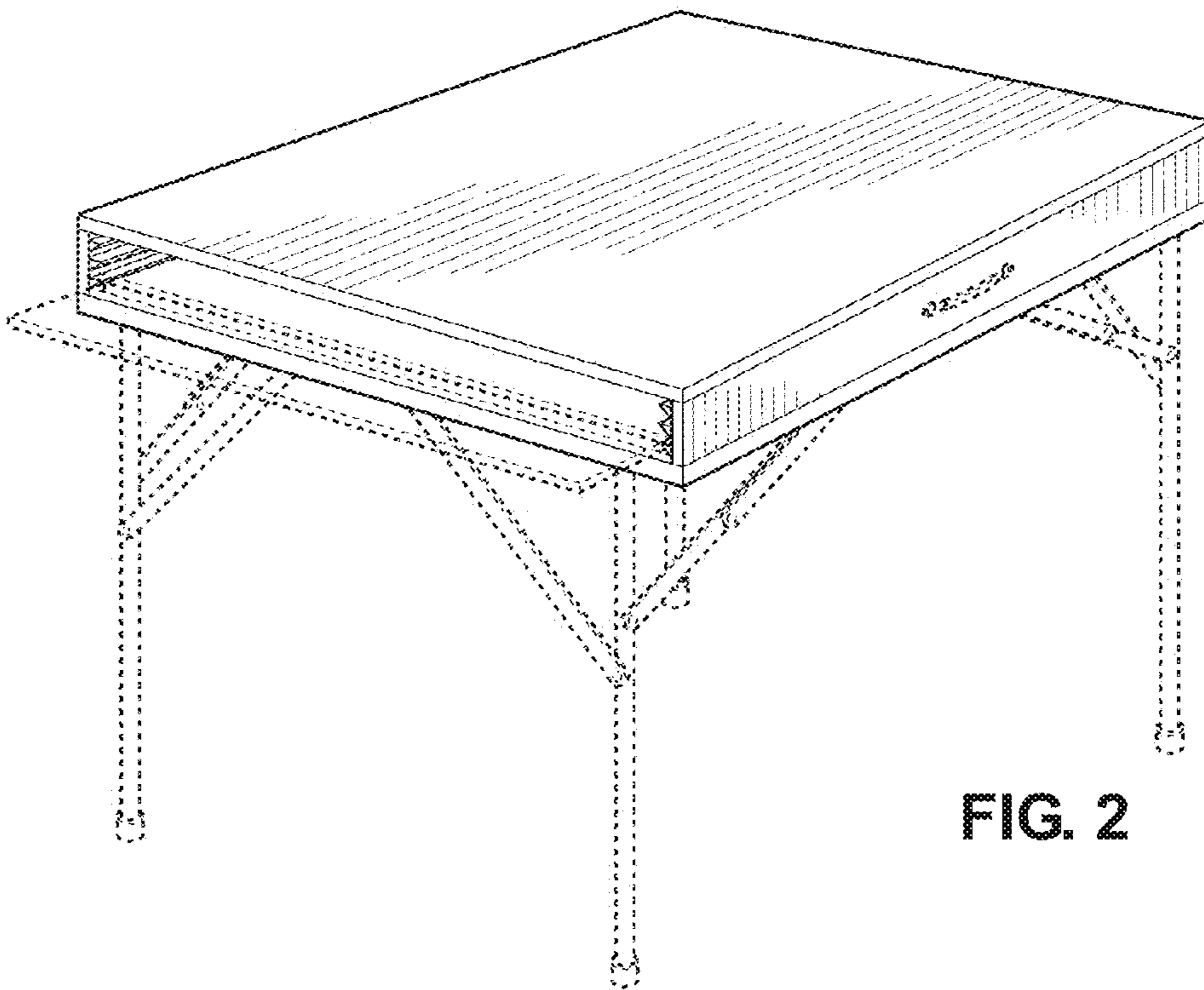
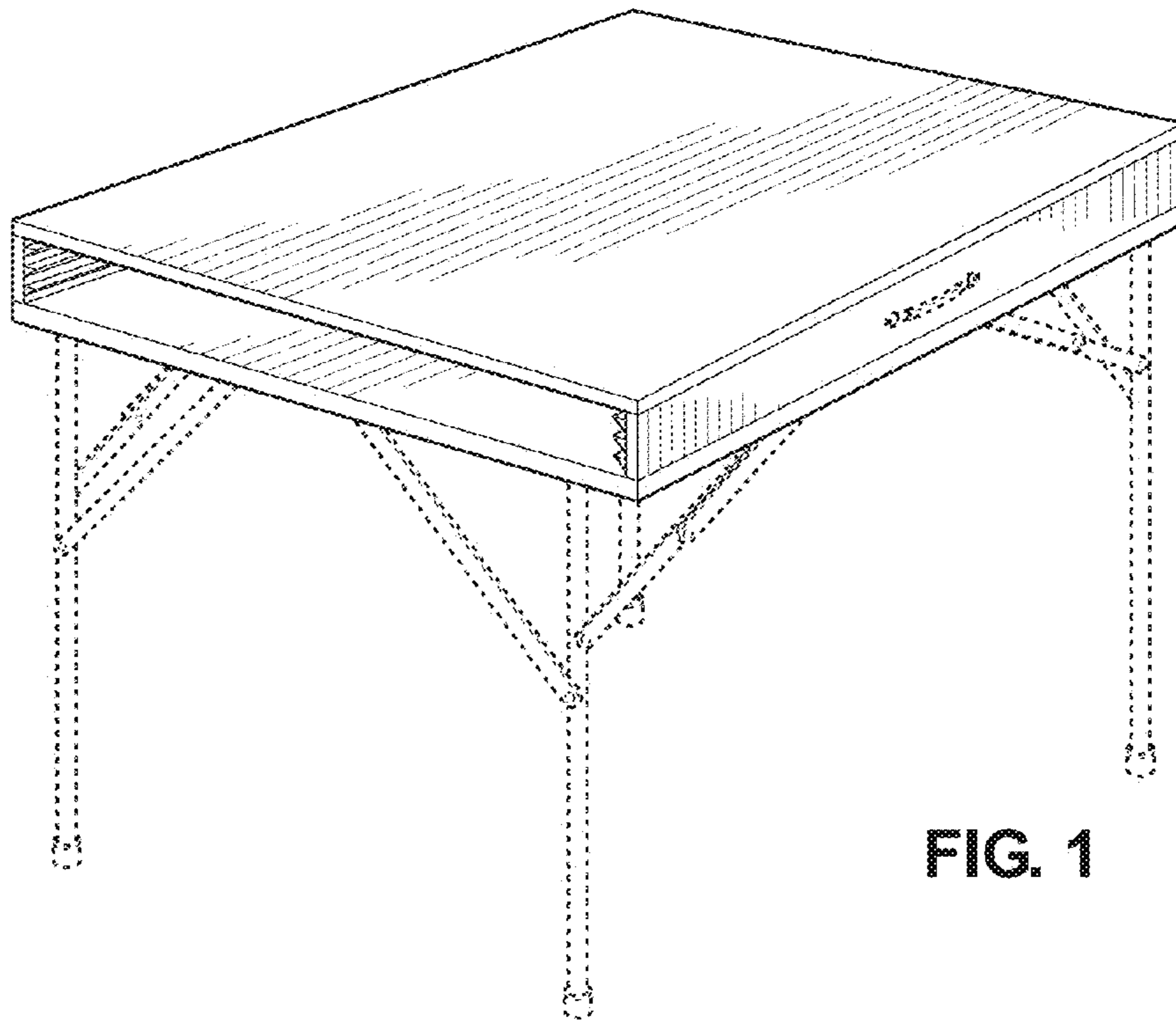
FIG. 8 shows an overhead view of the board stowable card table; and,

FIG. 9 shows an underside view of the board stowable card table.

The broken line showing of legs and game boards is included for the purpose of illustrating portions of the “article” and forms no part of the claimed design.

1 Claim, 5 Drawing Sheets





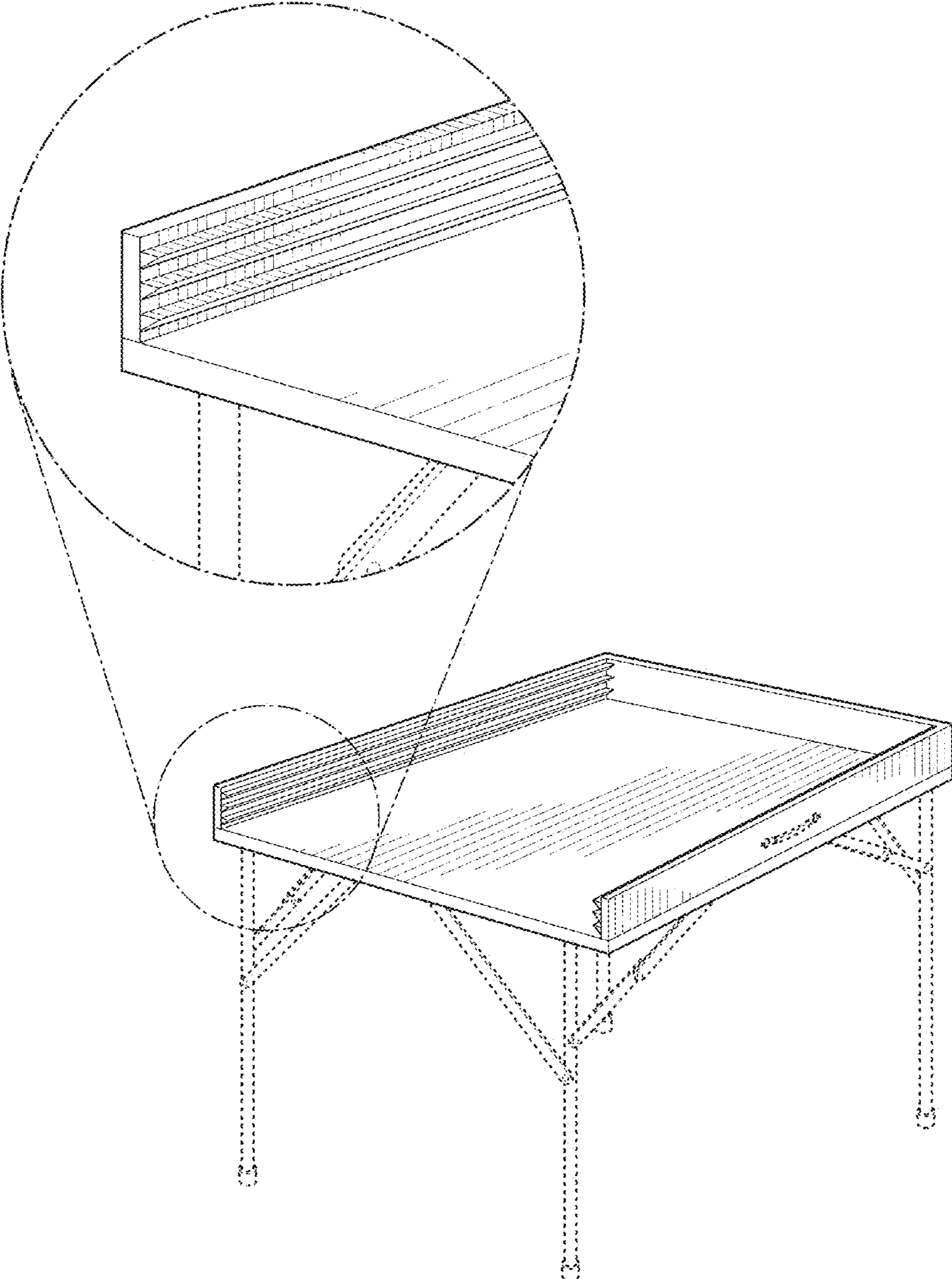


FIG. 3

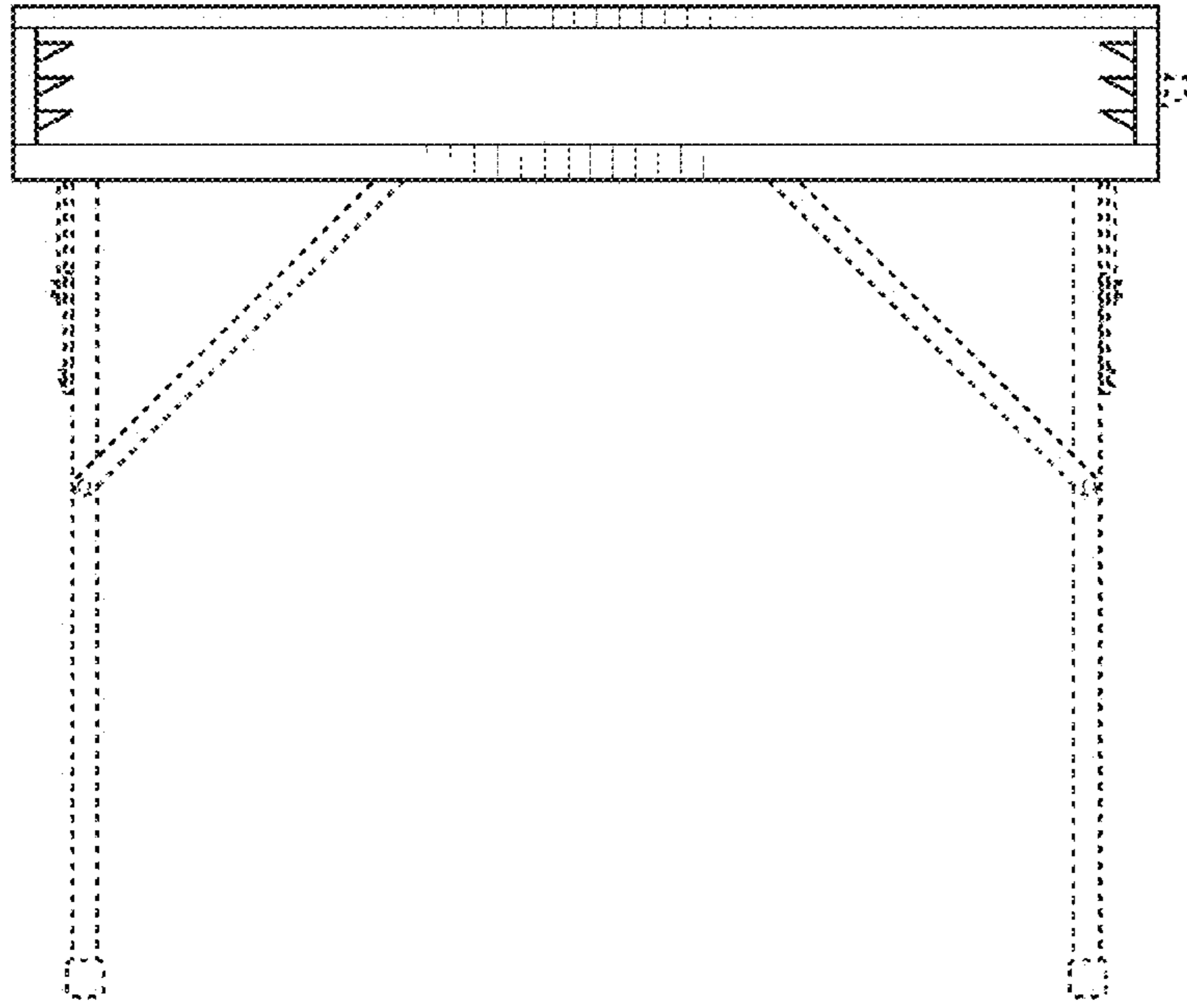


FIG. 4

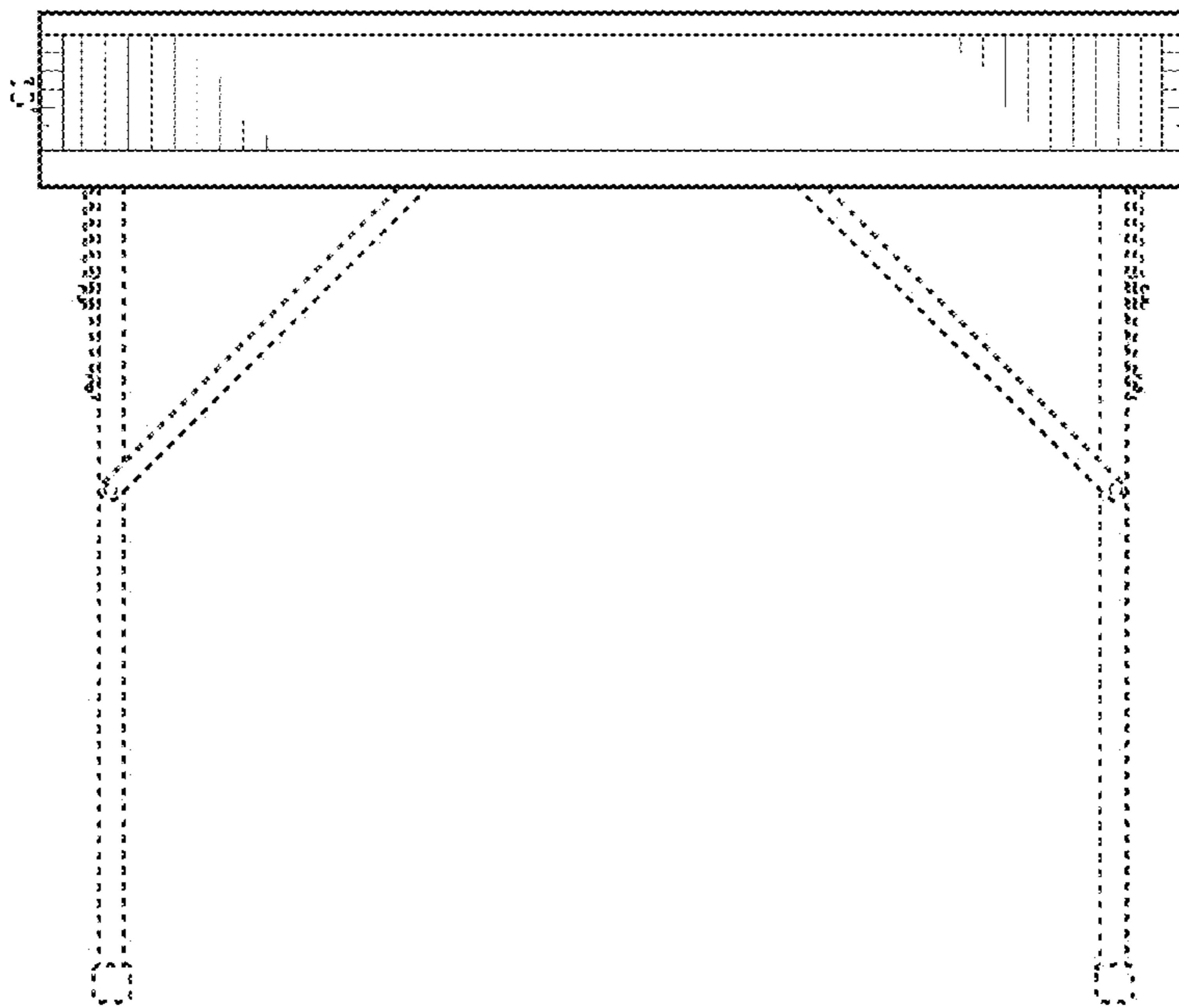


FIG. 5

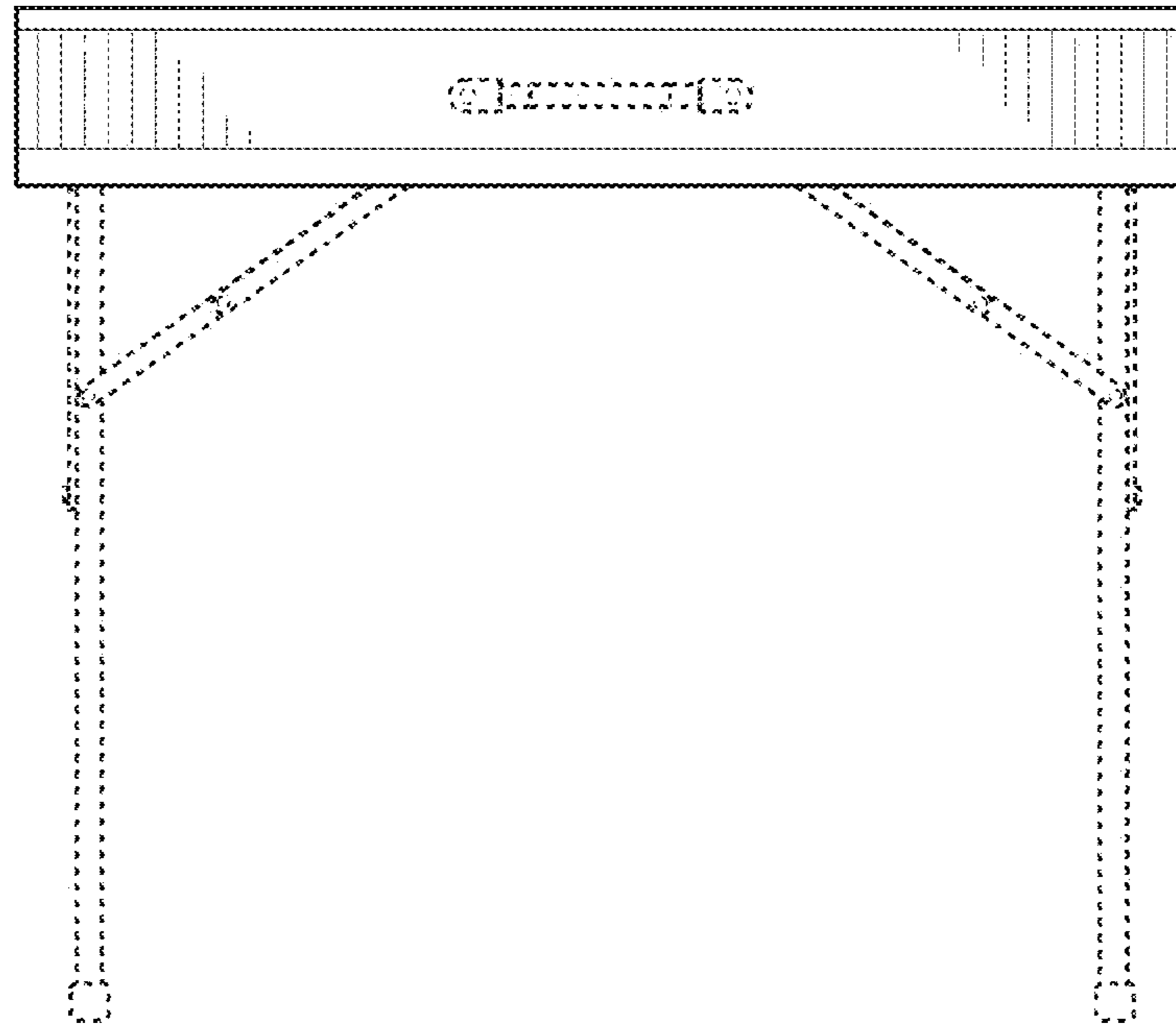


FIG. 6

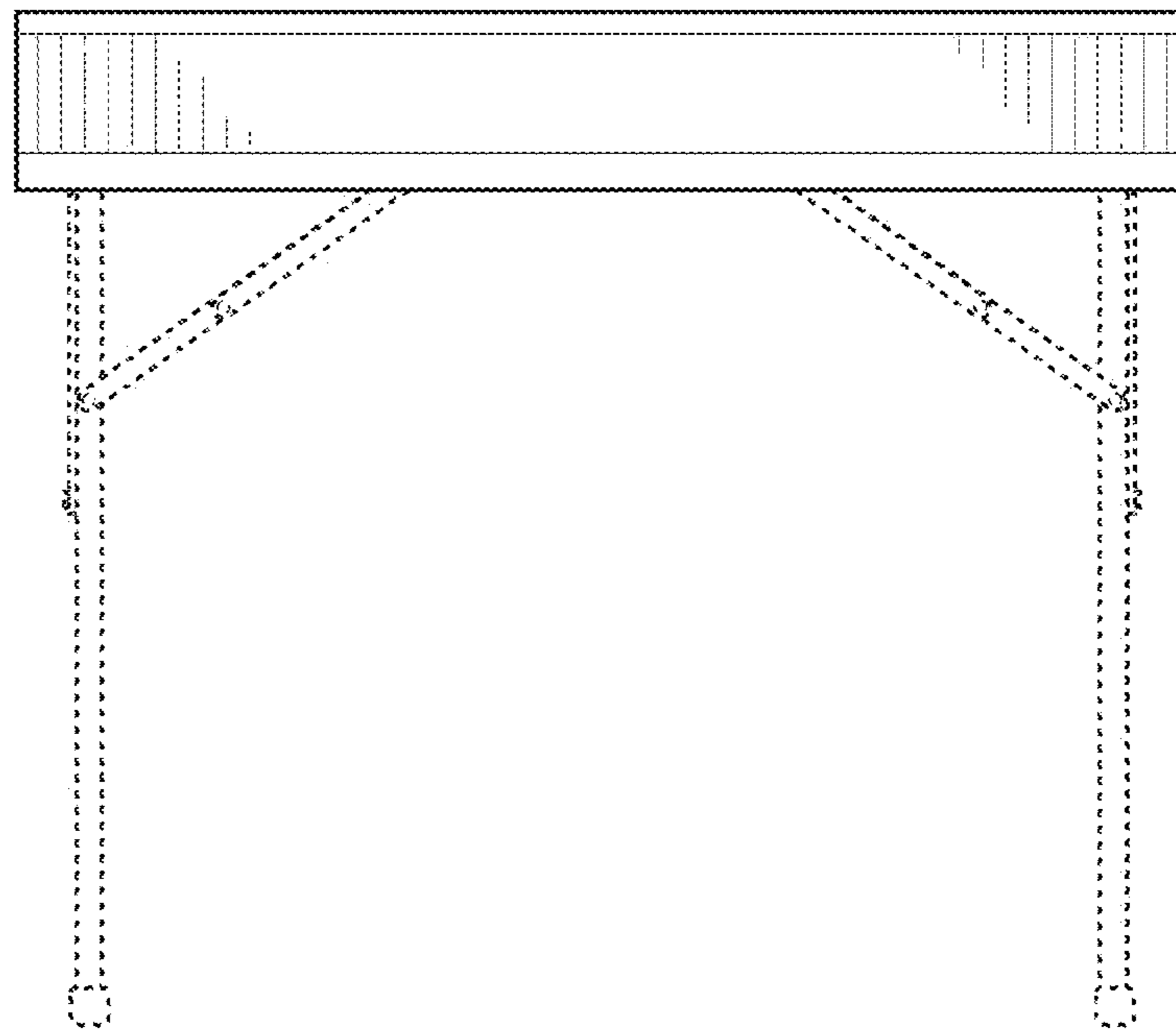


FIG. 7

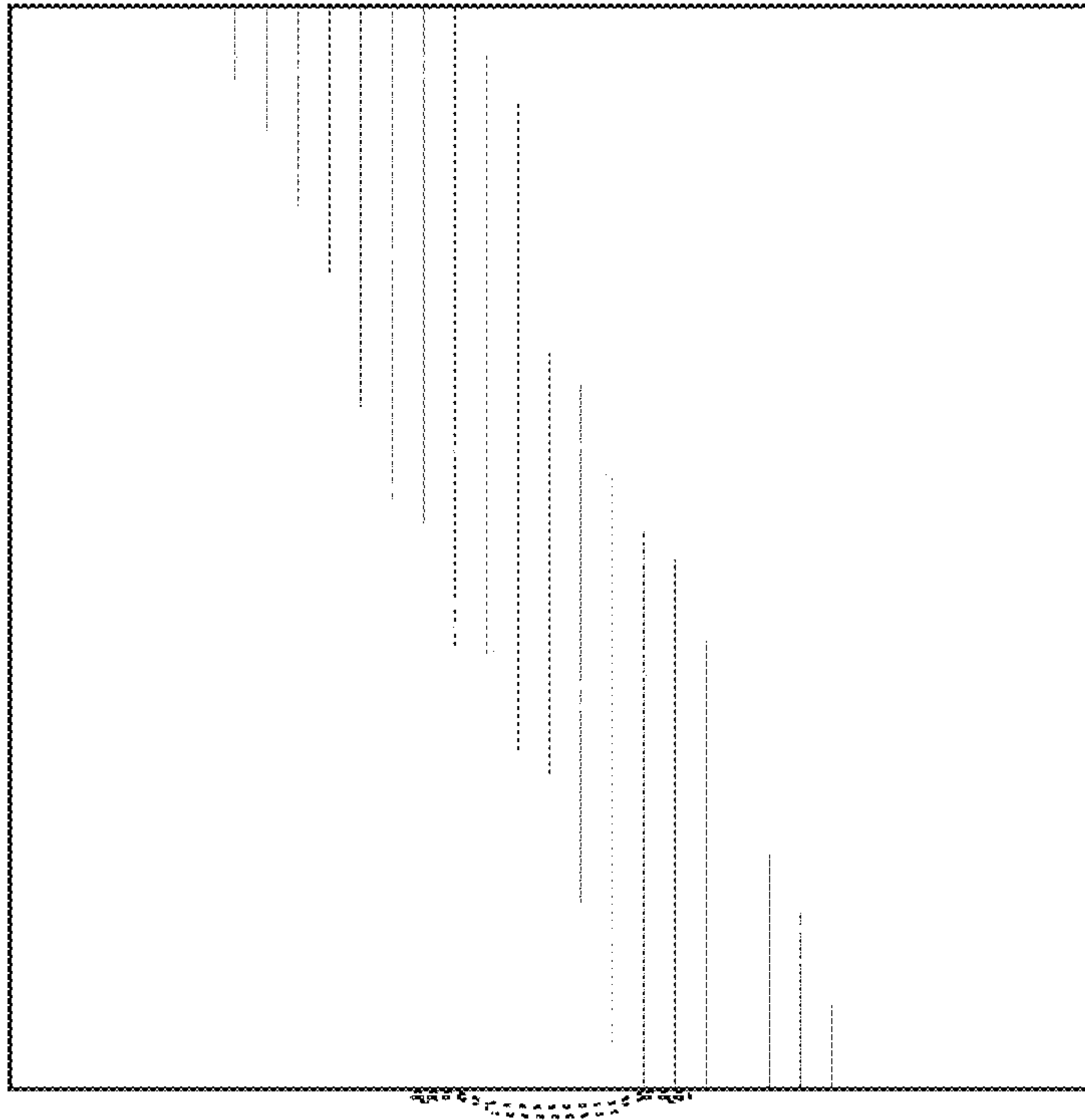


FIG. 8

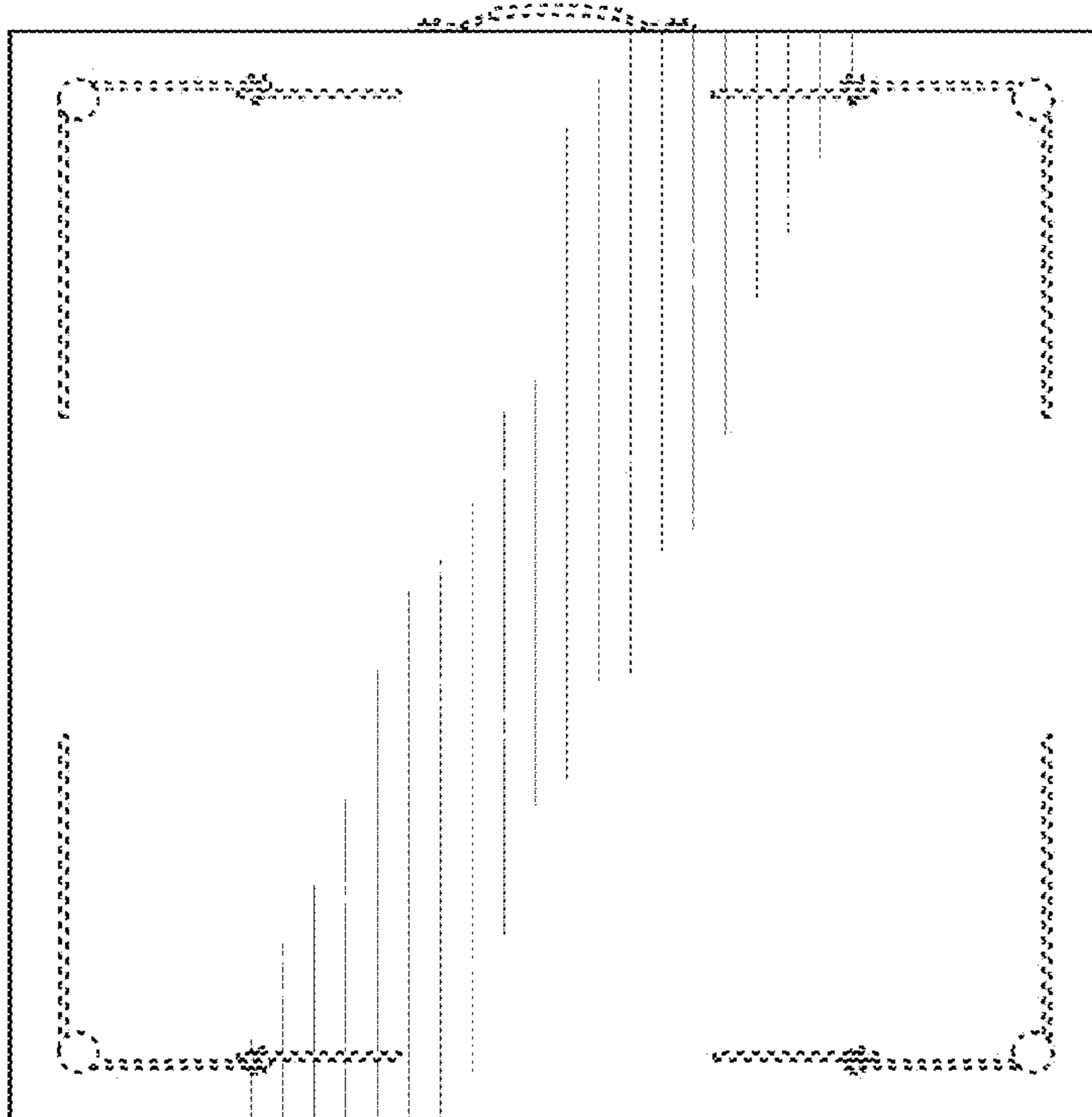


FIG. 9