



US00D715866S

(12) **United States Design Patent**
Piccolo

(10) **Patent No.:** **US D715,866 S**
(45) **Date of Patent:** **** Oct. 21, 2014**

(54) **PLAYING SURFACE FOR A GAME**

(56) **References Cited**

(71) Applicant: **New Sports Group LLC**, New York,
NY (US)

U.S. PATENT DOCUMENTS

5,351,968	A *	10/1994	Starnes	273/348.4
5,355,289	A *	10/1994	Krenn	362/253
D402,329	S *	12/1998	Hunter	D21/341
5,913,519	A *	6/1999	Sindelar	273/248

(72) Inventor: **Arthur Piccolo**, New York, NY (US)

* cited by examiner

(73) Assignee: **New Sports Group LLC**, New York,
NY (US)

Primary Examiner — George D Kirschbaum
(74) *Attorney, Agent, or Firm* — Kenyon & Kenyon LLP

(**) Term: **14 Years**

(57) **CLAIM**
The ornamental design for a playing surface for a game, as shown and described.

(21) Appl. No.: **29/479,051**

DESCRIPTION

(22) Filed: **Jan. 10, 2014**

Related U.S. Application Data

(63) Continuation of application No. 14/067,141, filed on
Oct. 30, 2013.

FIG. 1 is a front top perspective view of an ornamental design of a first exemplary embodiment of a playing surface for a game showing my new design;
FIG. 2 is a top view thereof;
FIG. 3 is a front view, a rear view being a mirror image thereof;
FIG. 4 is a side view in a direction rotated **45** degrees from the view of FIG. 3, an opposite side view being a mirror image thereof;
FIG. 5 is a front top perspective view of an ornamental design of a second exemplary embodiment of a playing surface for a game showing my new design;
FIG. 6 is a top view thereof;
FIG. 7 is a front view, a rear view being the mirror image thereof; and,
FIG. 8 is a left side view, a right side view being the mirror image thereof.

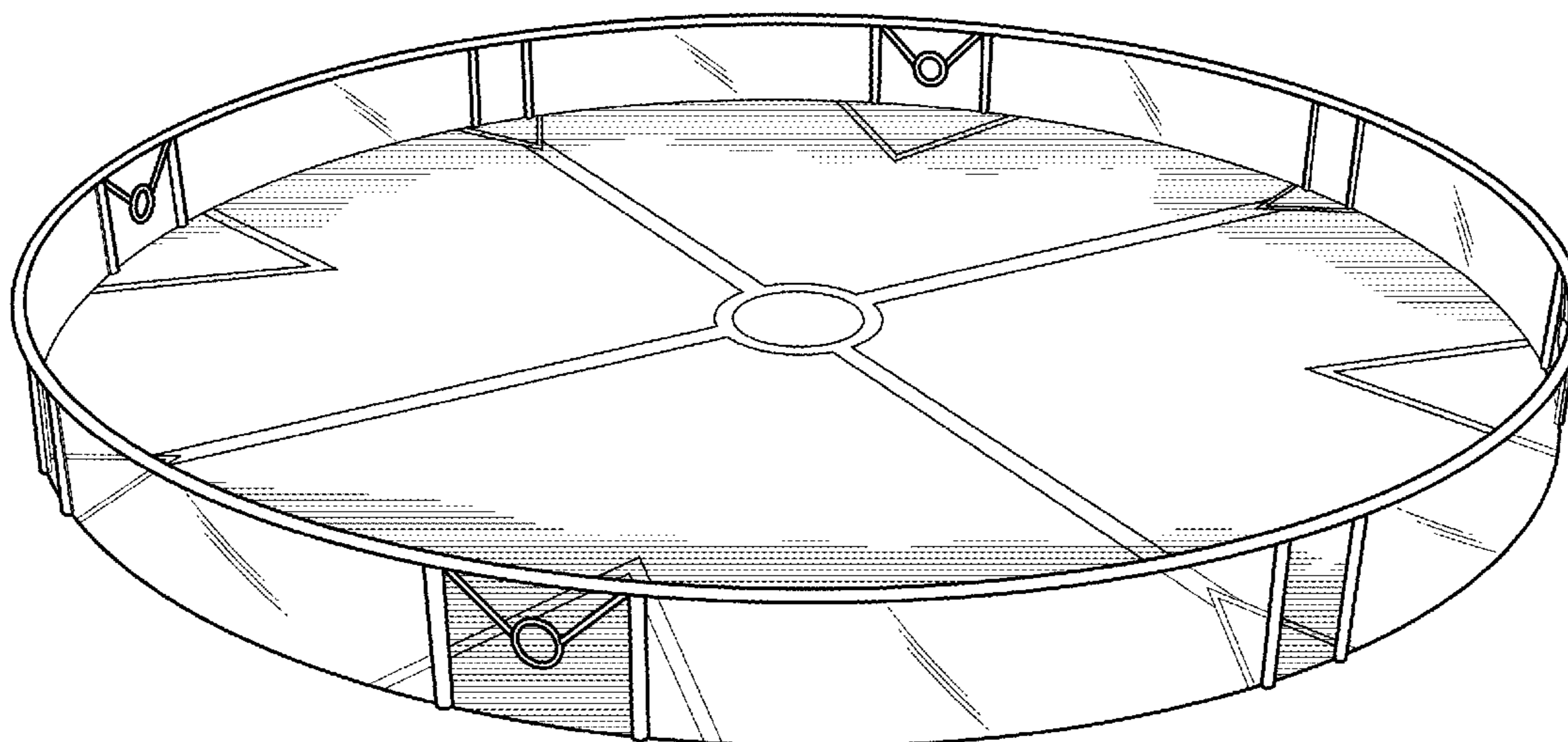
(51) **LOC (10) Cl.** **21-01**

(52) **U.S. Cl.**
USPC **D21/362**

(58) **Field of Classification Search**
USPC D21/307–308, 334–368, 376–397;
273/236–287, 288–291

See application file for complete search history.

1 Claim, 8 Drawing Sheets



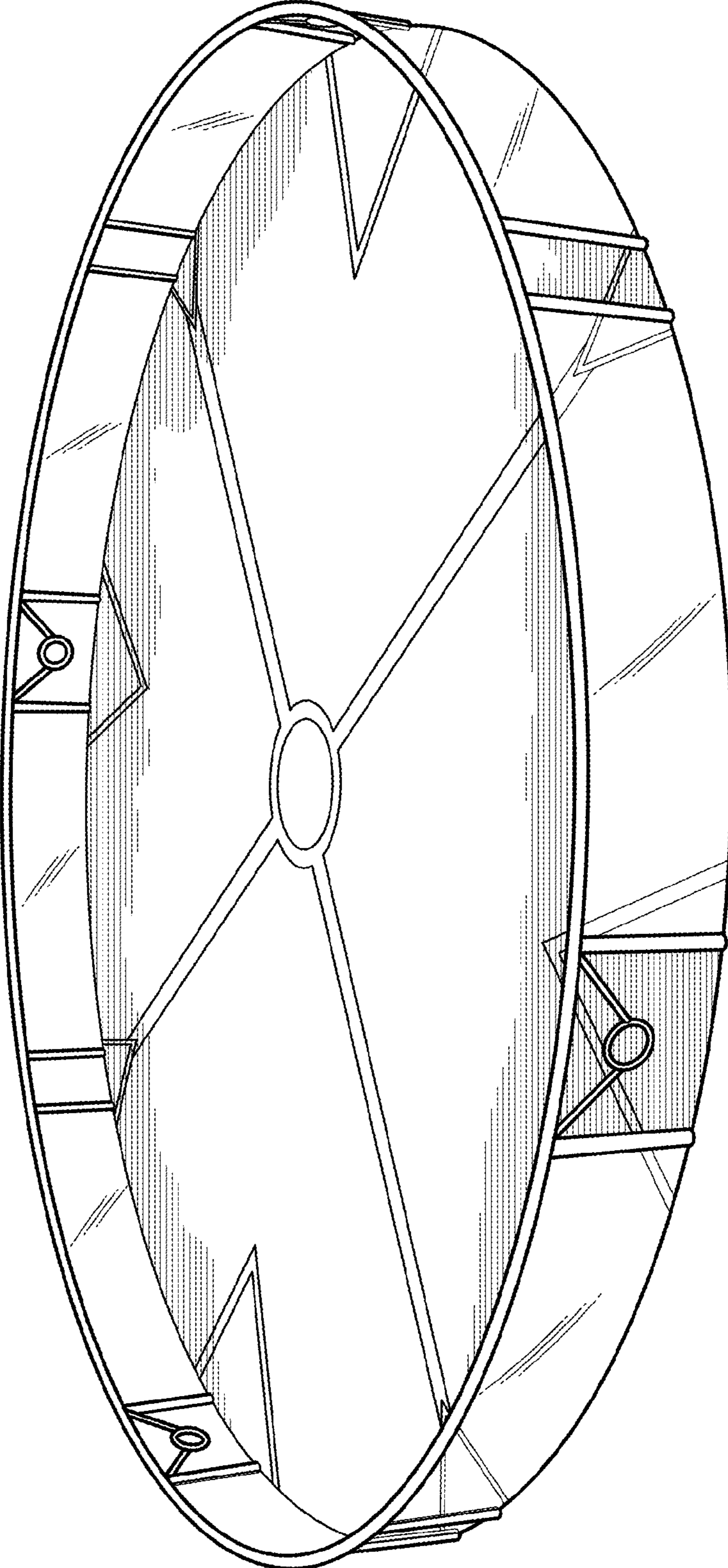


FIG. 1

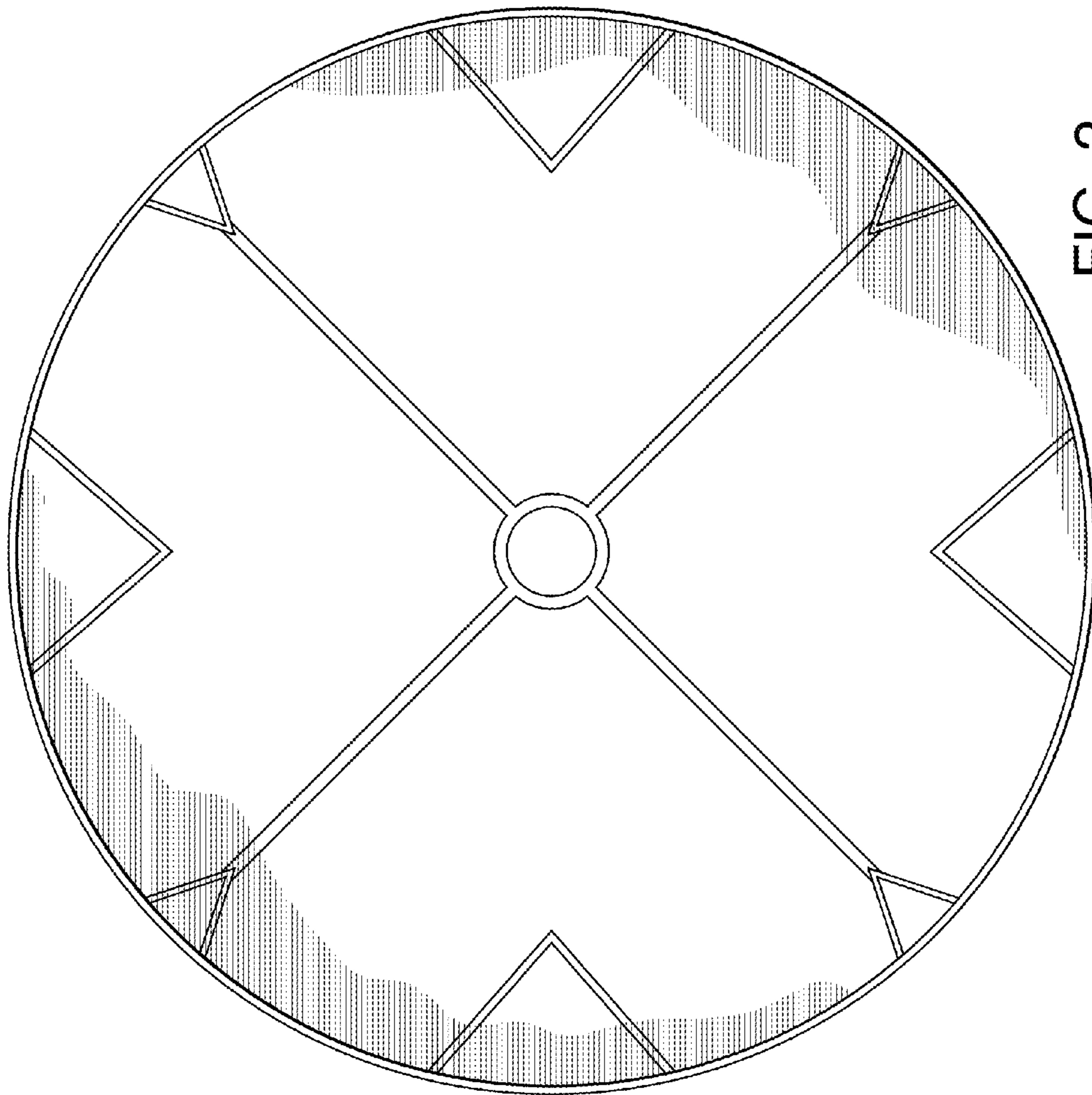


FIG. 2

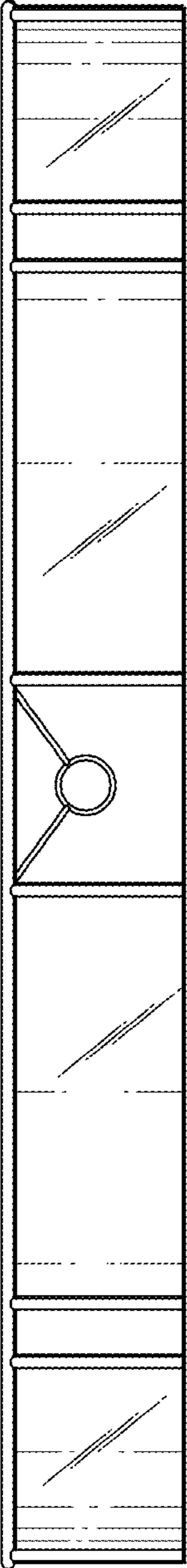


FIG. 3

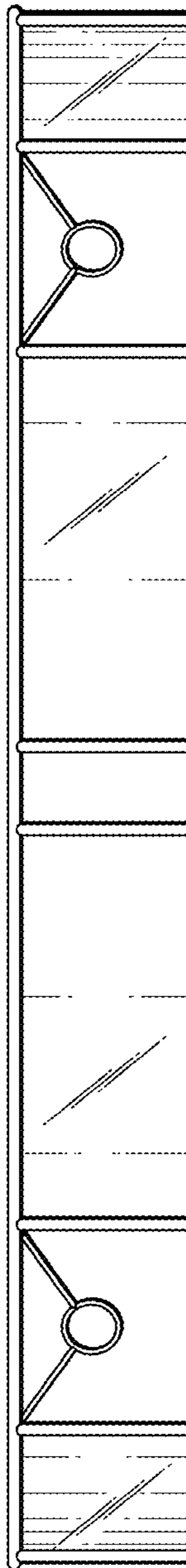


FIG. 4

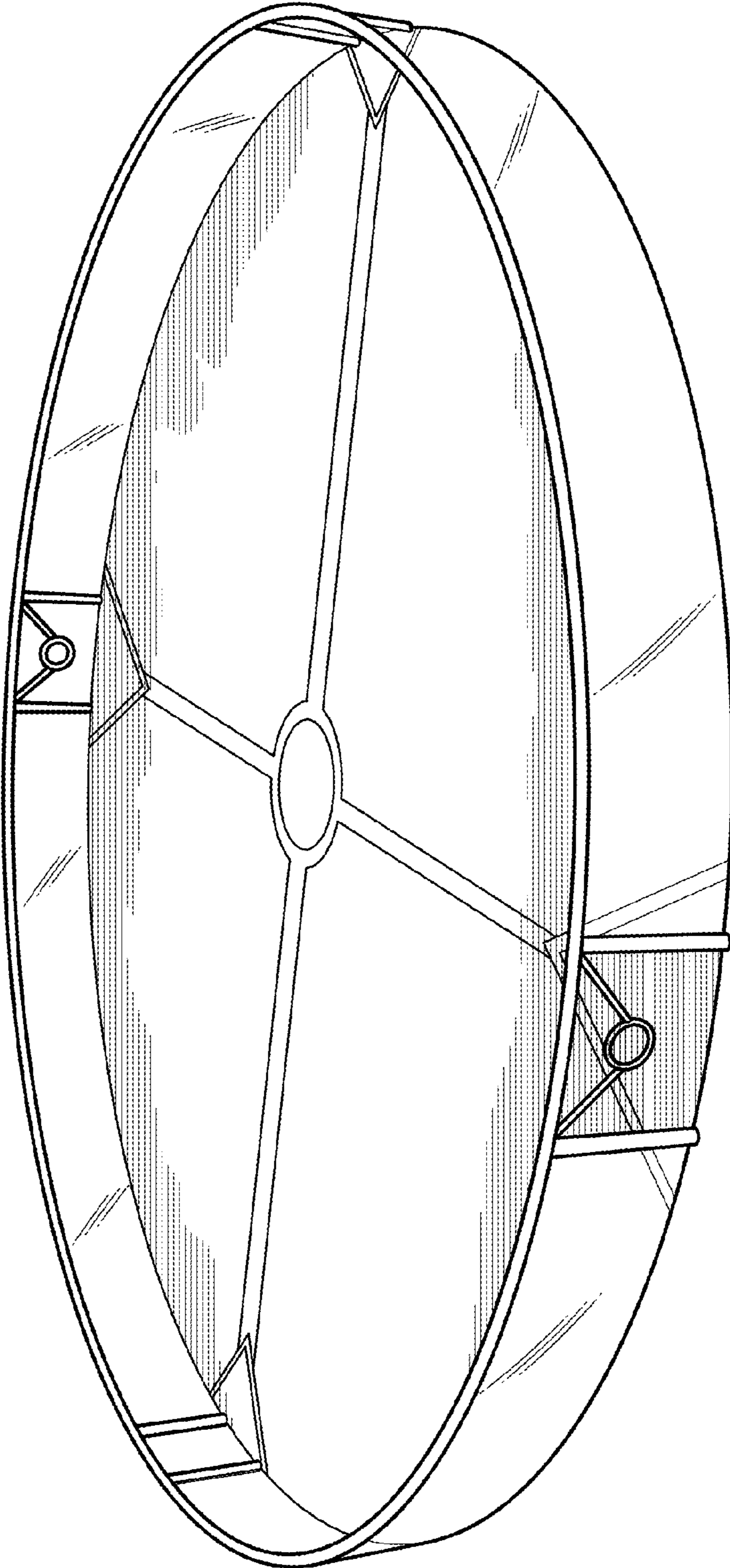


FIG. 5

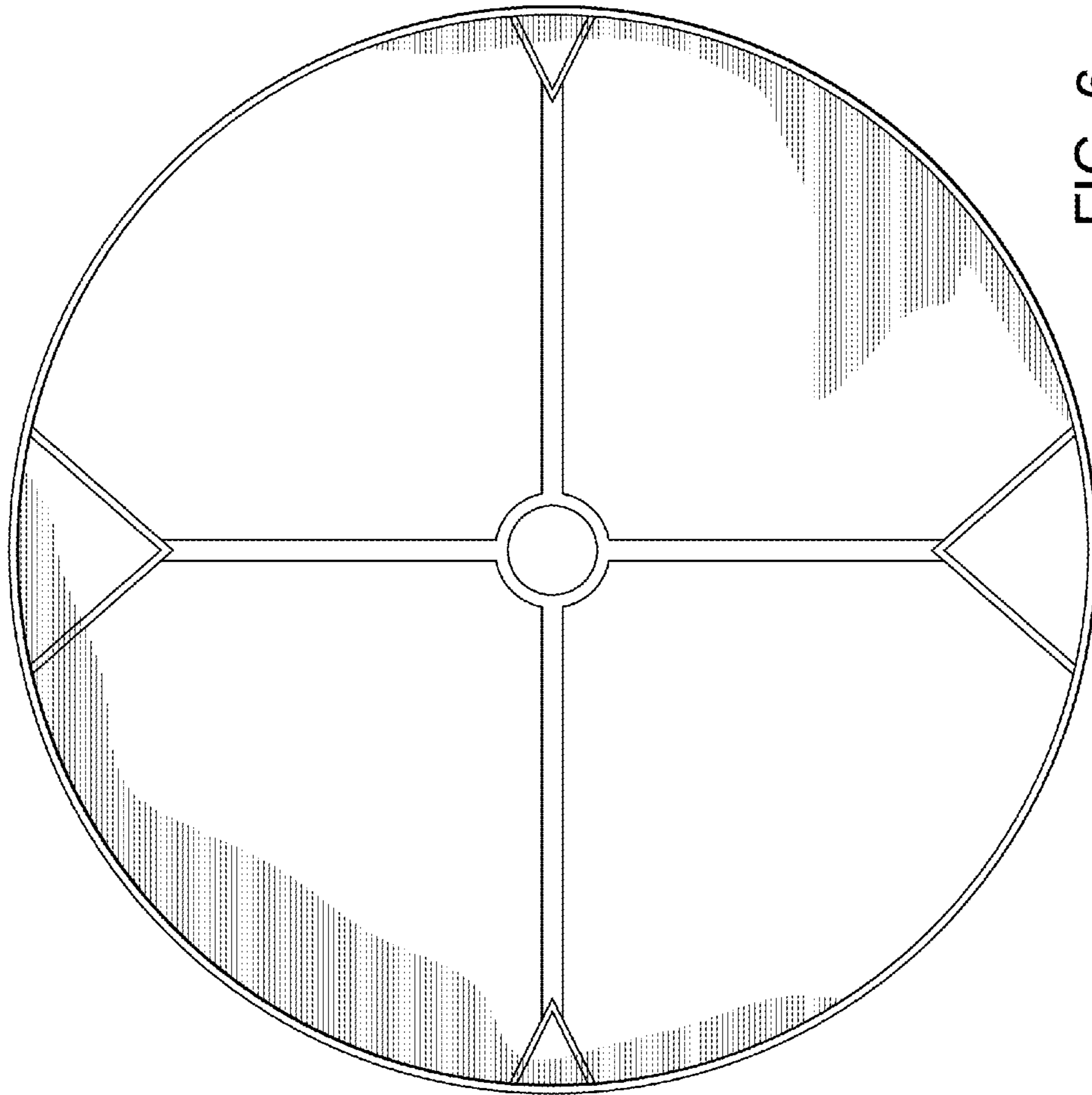


FIG. 6

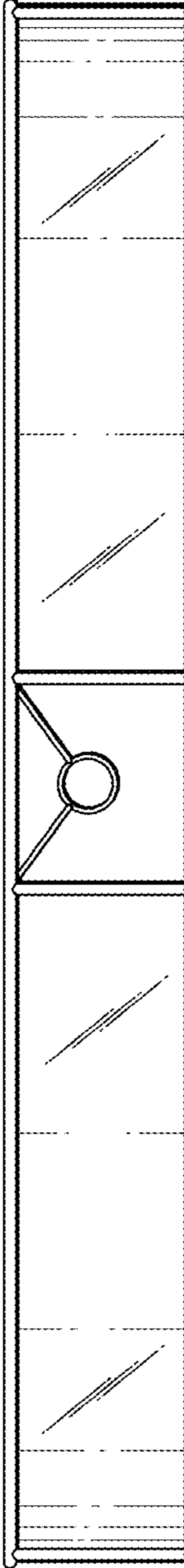


FIG. 7

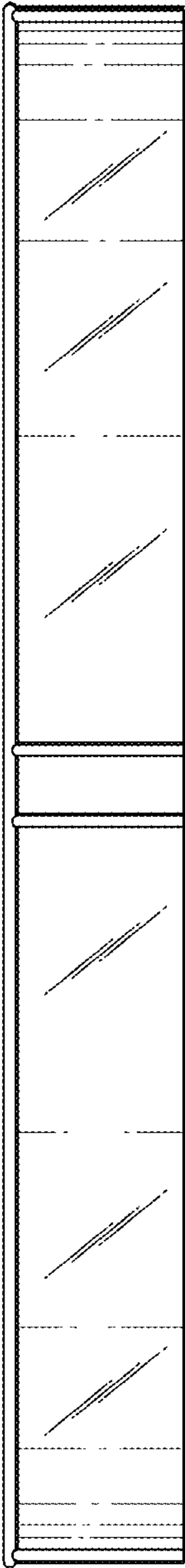


FIG. 8