

US00D715865S

(12) **United States Design Patent**  
**Morris et al.**

(10) **Patent No.:** **US D715,865 S**  
(45) **Date of Patent:** **\*\* Oct. 21, 2014**

(54) **GAME CONTROLLER**  
(71) Applicant: **Microsoft Corporation**, Redmond, WA (US)  
(72) Inventors: **Quintin R. Morris**, Issaquah, WA (US); **Carl J. Ledbetter**, Mercer Island, WA (US); **Jeremy Slocum**, Redmond, WA (US); **Joel B. Jacobs**, Seattle, WA (US); **Bryon Ashley, Jr.**, Maple Valley, WA (US)  
(73) Assignee: **Microsoft Corporation**, Redmond, WA (US)

(\*\*) Term: **14 Years**

(21) Appl. No.: **29/449,593**

(22) Filed: **Mar. 15, 2013**

(51) **LOC (10) Cl.** ..... **21-01**

(52) **U.S. Cl.**  
USPC ..... **D21/333**

(58) **Field of Classification Search**  
USPC ..... D14/399-401, 412-416; D21/324, 333;  
273/148 B; 463/1, 29-39, 46, 47;  
345/156-161, 905  
See application file for complete search history.

(56) **References Cited**

**U.S. PATENT DOCUMENTS**

D398,214 S \* 9/1998 Yui ..... D8/312  
D435,551 S 12/2000 Hayes  
D449,042 S \* 10/2001 Chung ..... D14/228  
D453,932 S 2/2002 Han et al.  
6,463,159 B1 \* 10/2002 Ming-Cheng ..... 381/355  
D467,922 S \* 12/2002 Lee ..... D14/401

6,968,070 B1 \* 11/2005 Chiang ..... 381/361  
D522,011 S \* 5/2006 Hayes et al. .... D14/454  
7,105,754 B2 \* 9/2006 Turner ..... 200/4  
D547,763 S 7/2007 Hayes et al.  
D556,201 S \* 11/2007 Ashida et al. .... D14/412  
D565,668 S 4/2008 Baseflug et al.  
D568,335 S 5/2008 Armstrong et al.  
D569,388 S 5/2008 Armstrong et al.  
D581,422 S 11/2008 Hayes et al.  
7,445,550 B2 \* 11/2008 Barney et al. .... 463/37  
D601,564 S \* 10/2009 Maeno ..... D14/400  
D619,596 S 7/2010 Maitlen et al.  
D650,795 S 12/2011 Koehn  
D655,350 S \* 3/2012 Taniguchi et al. .... D21/333  
D658,178 S 4/2012 Ikeda et al.

\* cited by examiner

*Primary Examiner* — Prabhakar Deshmukh

(74) *Attorney, Agent, or Firm* — Banner & Witcoff, Ltd.

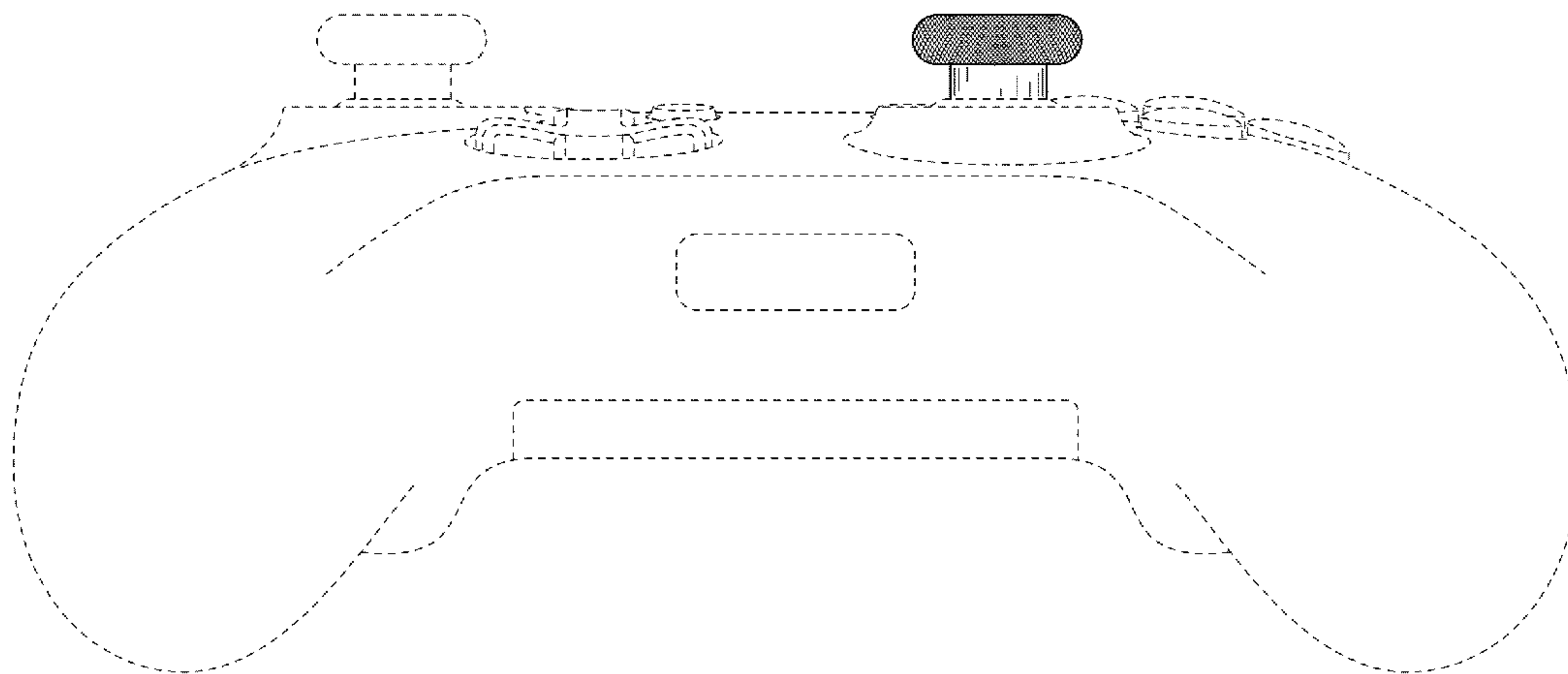
(57) **CLAIM**

The ornamental design for a game controller, as shown and described.

**DESCRIPTION**

FIG. 1 is a front perspective view of a game controller showing our new design;  
FIG. 2 is a top view thereof;  
FIG. 3 is a bottom view thereof;  
FIG. 4 is a right side view thereof;  
FIG. 5 is a left side view thereof;  
FIG. 6 is a front view thereof;  
FIG. 7 is a rear view thereof; and,  
FIG. 8 is an enlarged view of the claimed portion of FIG. 1.  
The broken line showing of the remainder of the game controller is for environmental purposes only and forms no part of the claimed design.

**1 Claim, 7 Drawing Sheets**



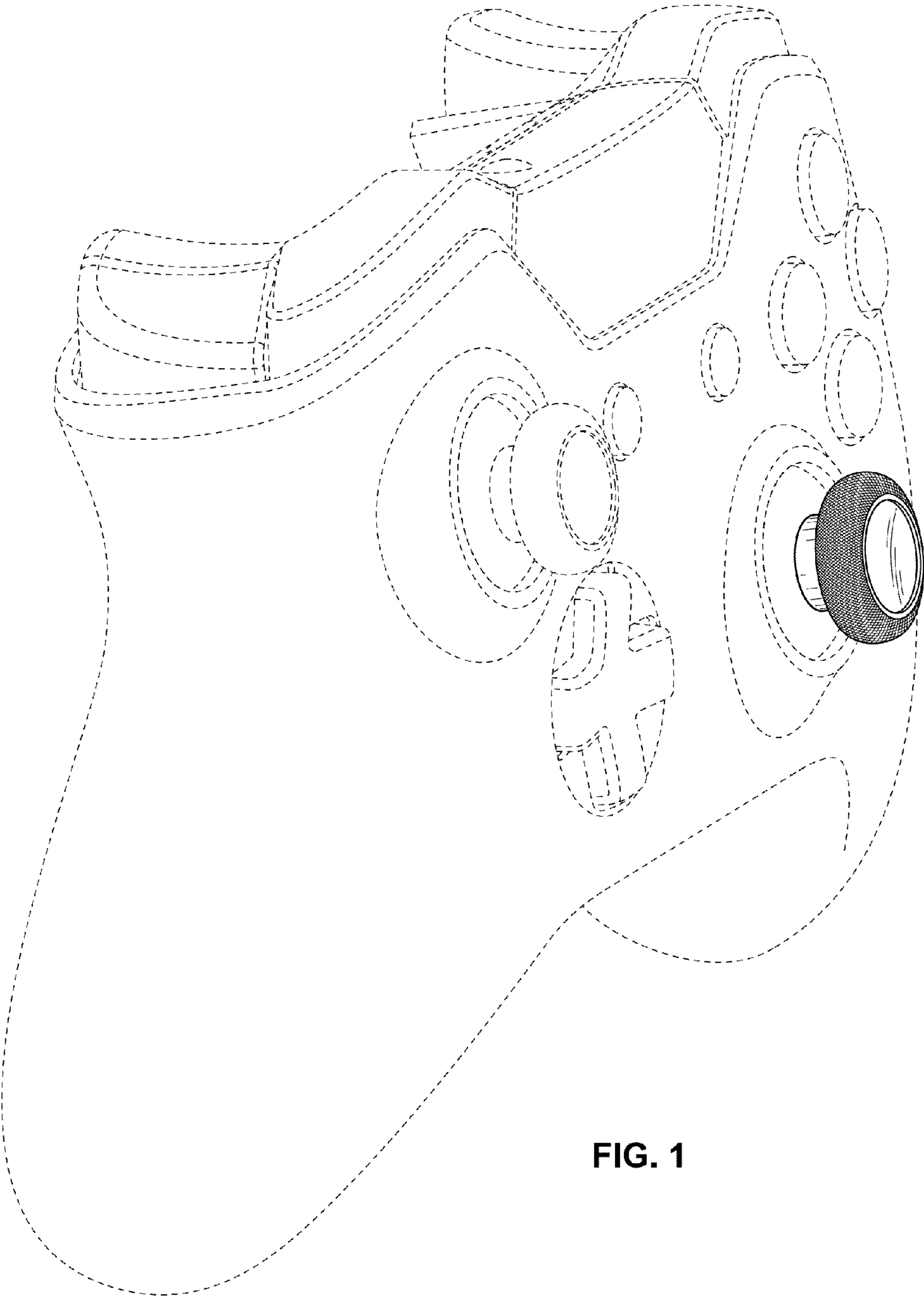


FIG. 1



FIG. 2

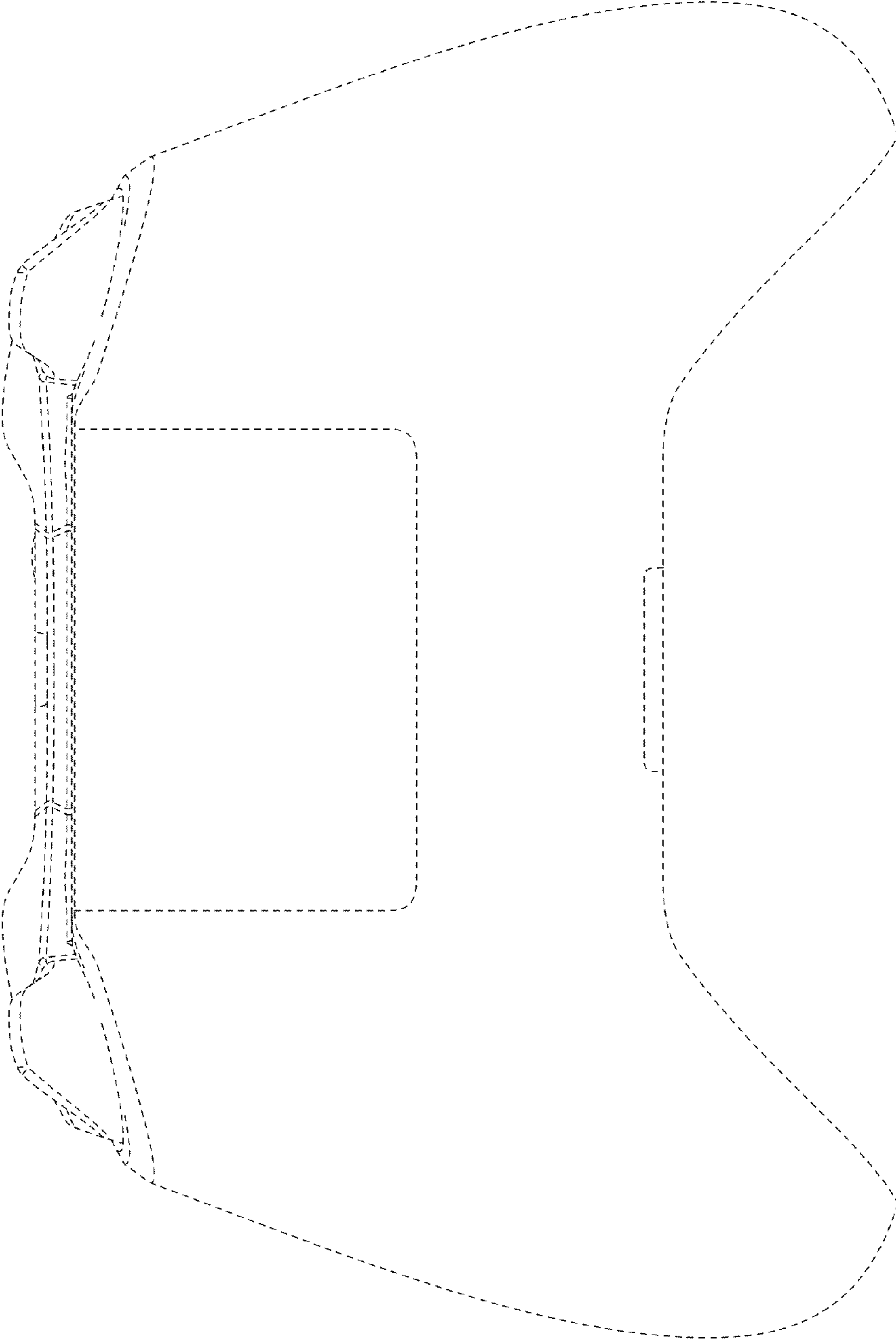


FIG. 3

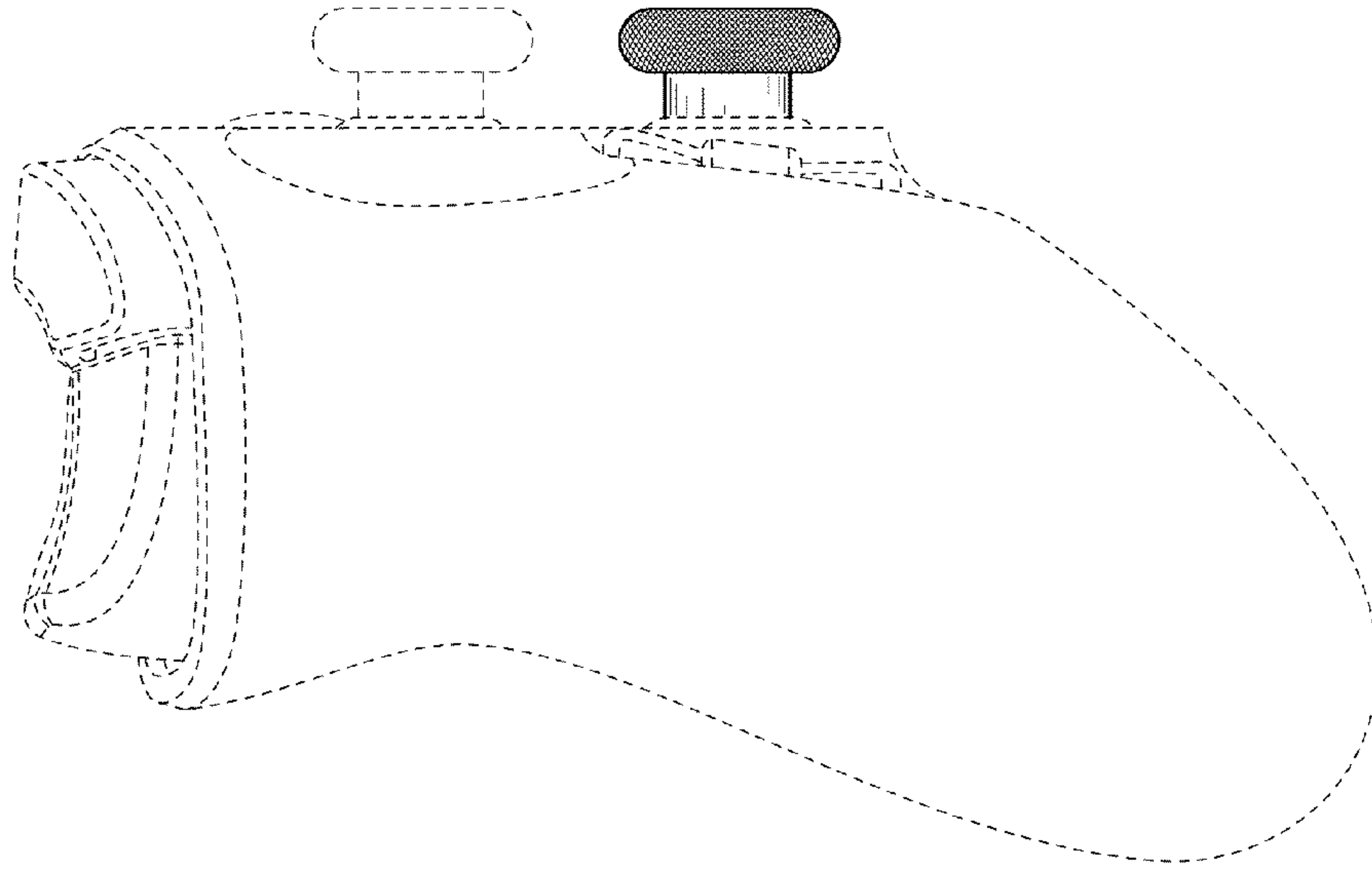


FIG. 5

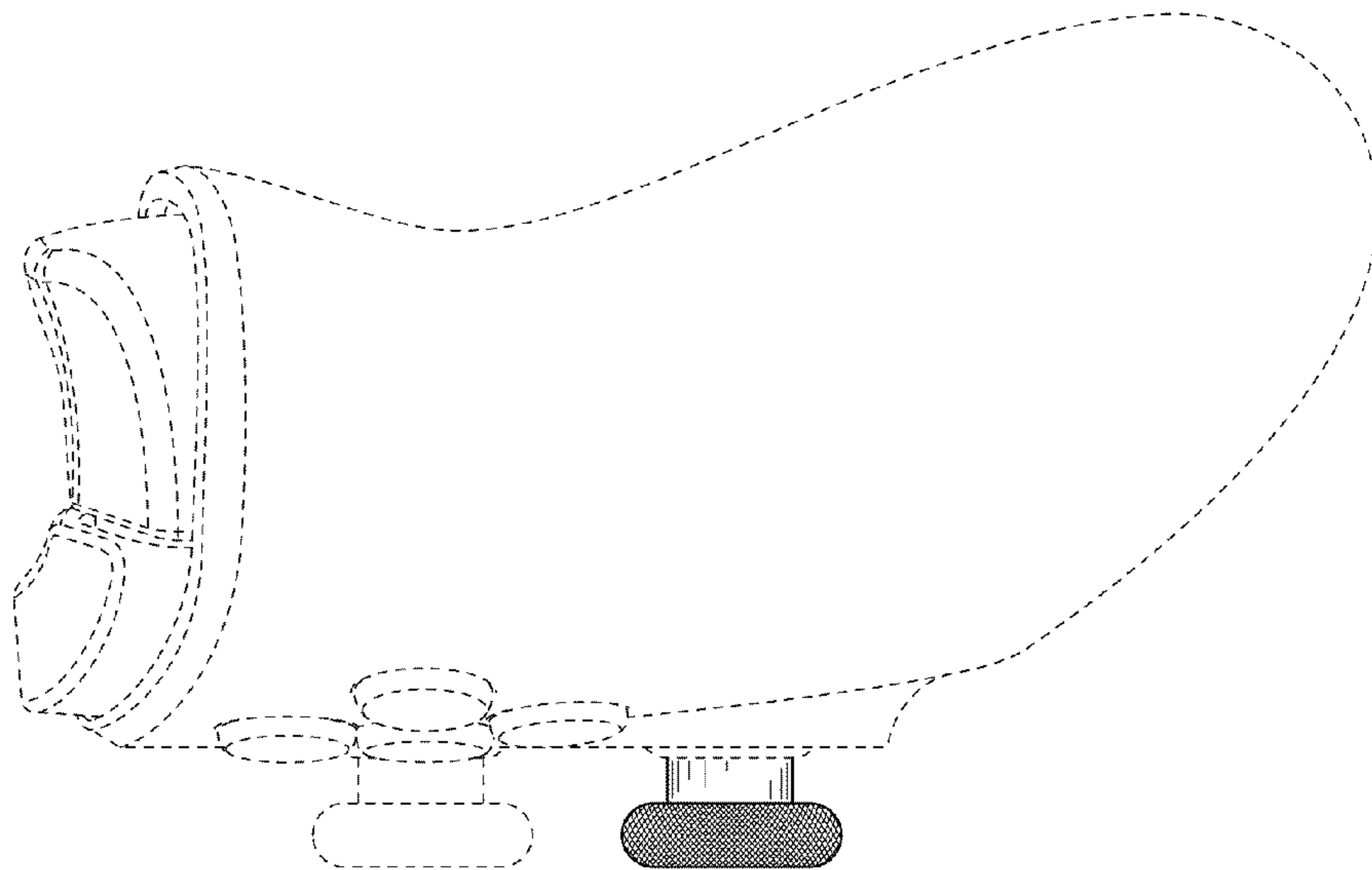


FIG. 4



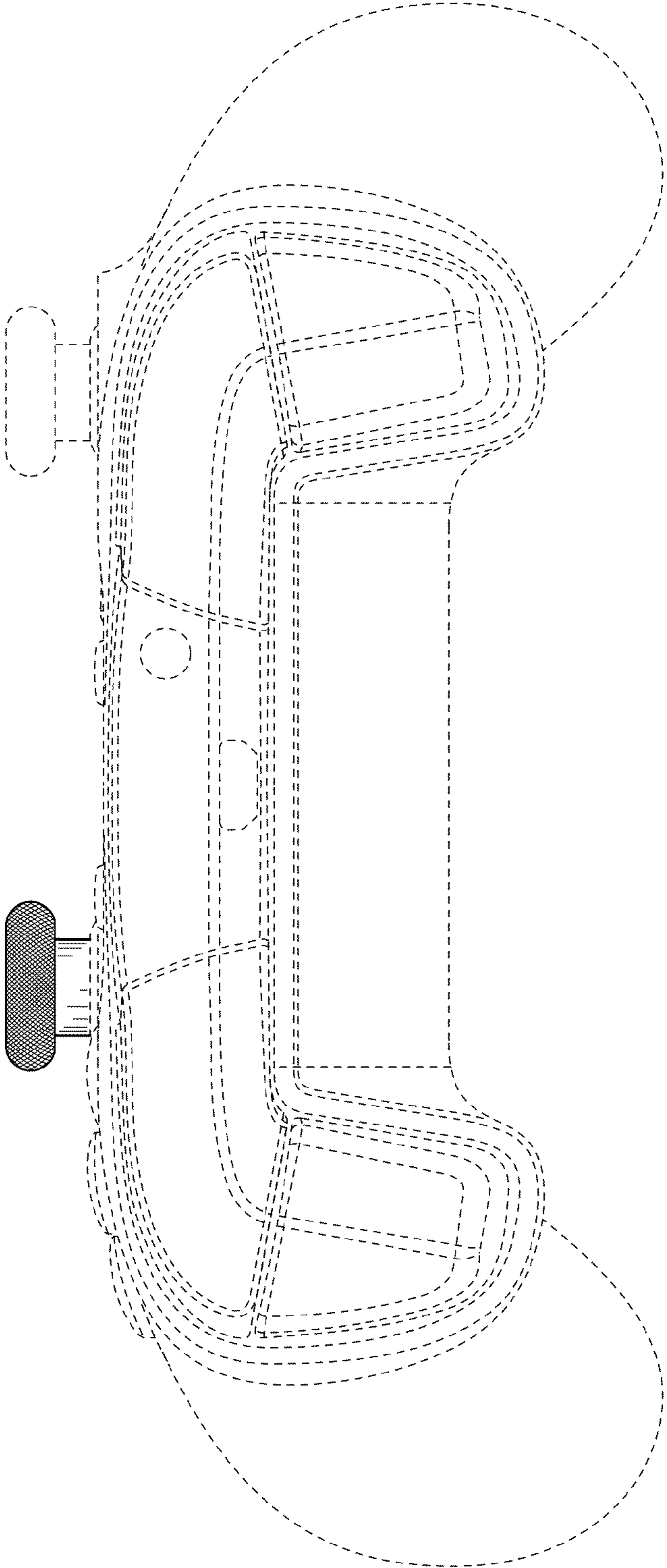


FIG. 6

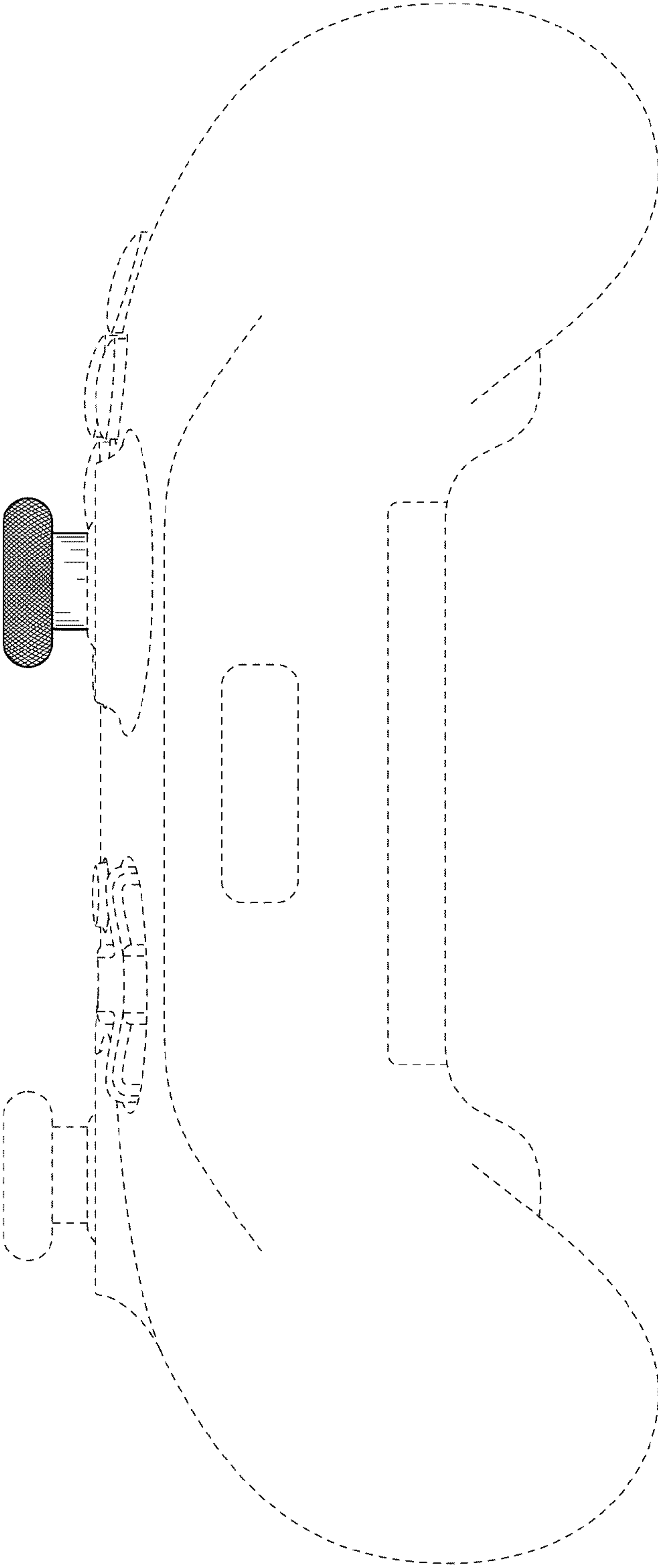


FIG. 7

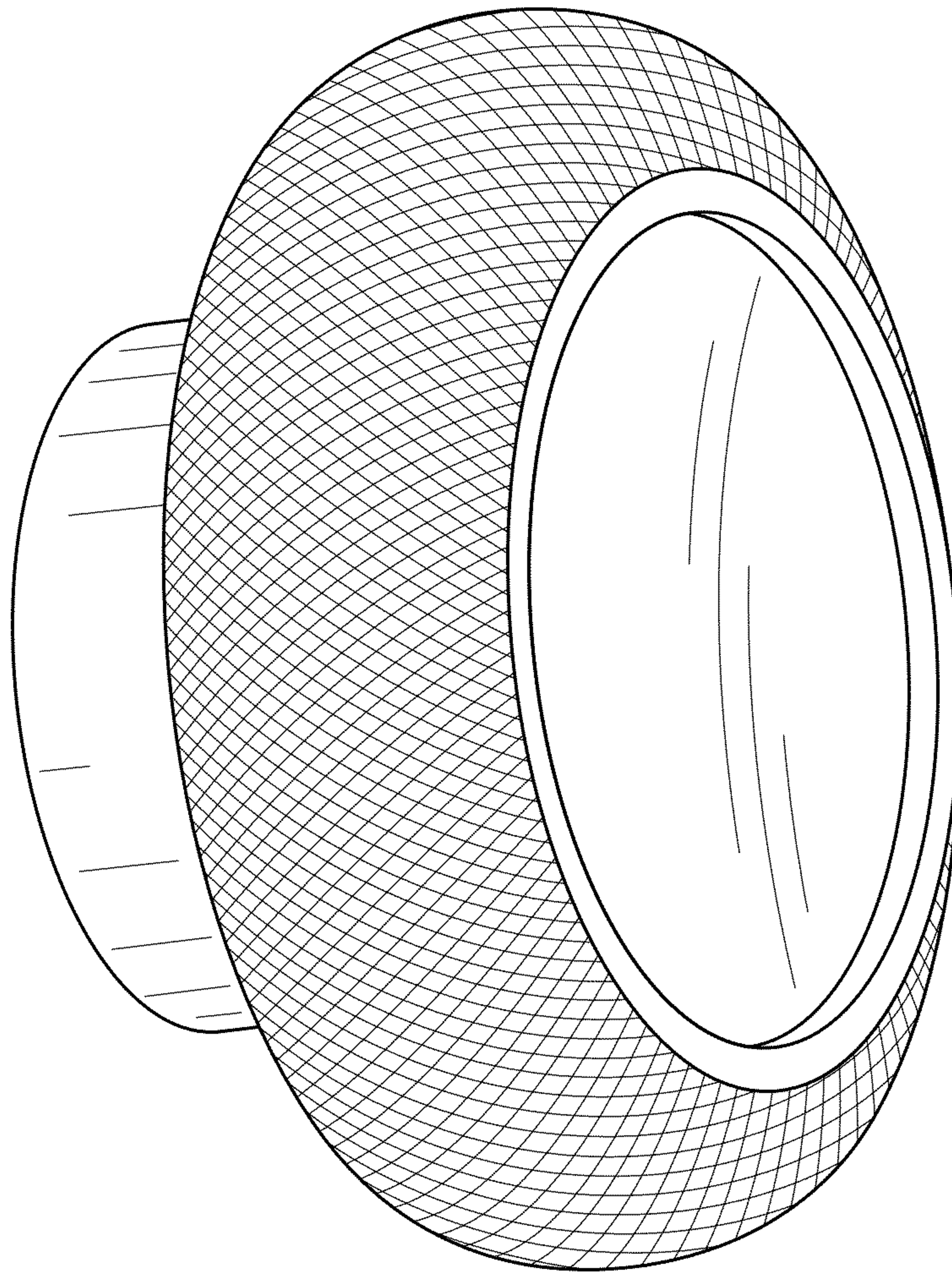


FIG. 8