



US00D715861S

(12) **United States Design Patent**
Costas

(10) **Patent No.:** **US D715,861 S**
(45) **Date of Patent:** **** Oct. 21, 2014**

(54) **NOTE HOLDER**

(71) Applicant: **Trophius Pty Ltd.**, Mascot (AU)

(72) Inventor: **Eric Costas**, Mascot (AU)

(73) Assignee: **Trophius Pty Ltd.** (AU)

(**) Term: **14 Years**

(21) Appl. No.: **29/484,105**

(22) Filed: **Mar. 6, 2014**

(51) **LOC (10) Cl.** **19-02**

(52) **U.S. Cl.**
USPC **D19/86**

(58) **Field of Classification Search**
USPC D8/394, 395; D19/75, 86, 87, 90, 91,
D19/92; D20/43; 40/341, 658; 206/39.5,
206/215, 494, 555; 211/45, 48, 50, 89.01
See application file for complete search history.

(56) **References Cited**

U.S. PATENT DOCUMENTS

D26,461 S * 12/1896 Sassenhoff D20/43
819,504 A * 5/1906 Benedict 24/67.9

(Continued)

FOREIGN PATENT DOCUMENTS

AU 346443 1/2013
AU 346543 1/2013

OTHER PUBLICATIONS

<http://www.officedepot.com/a/products/352108/Office-Depot-Brand-4-Piece-Stainless/>, Office Depot Brand 4 Piece Stainless Steel Magnet Hook Set Assorted Shapes, 1 color sheet, date unknown, but prior to the filing of this application.

Primary Examiner — Elizabeth Albert

(74) *Attorney, Agent, or Firm* — Banner & Witcoff, Ltd.

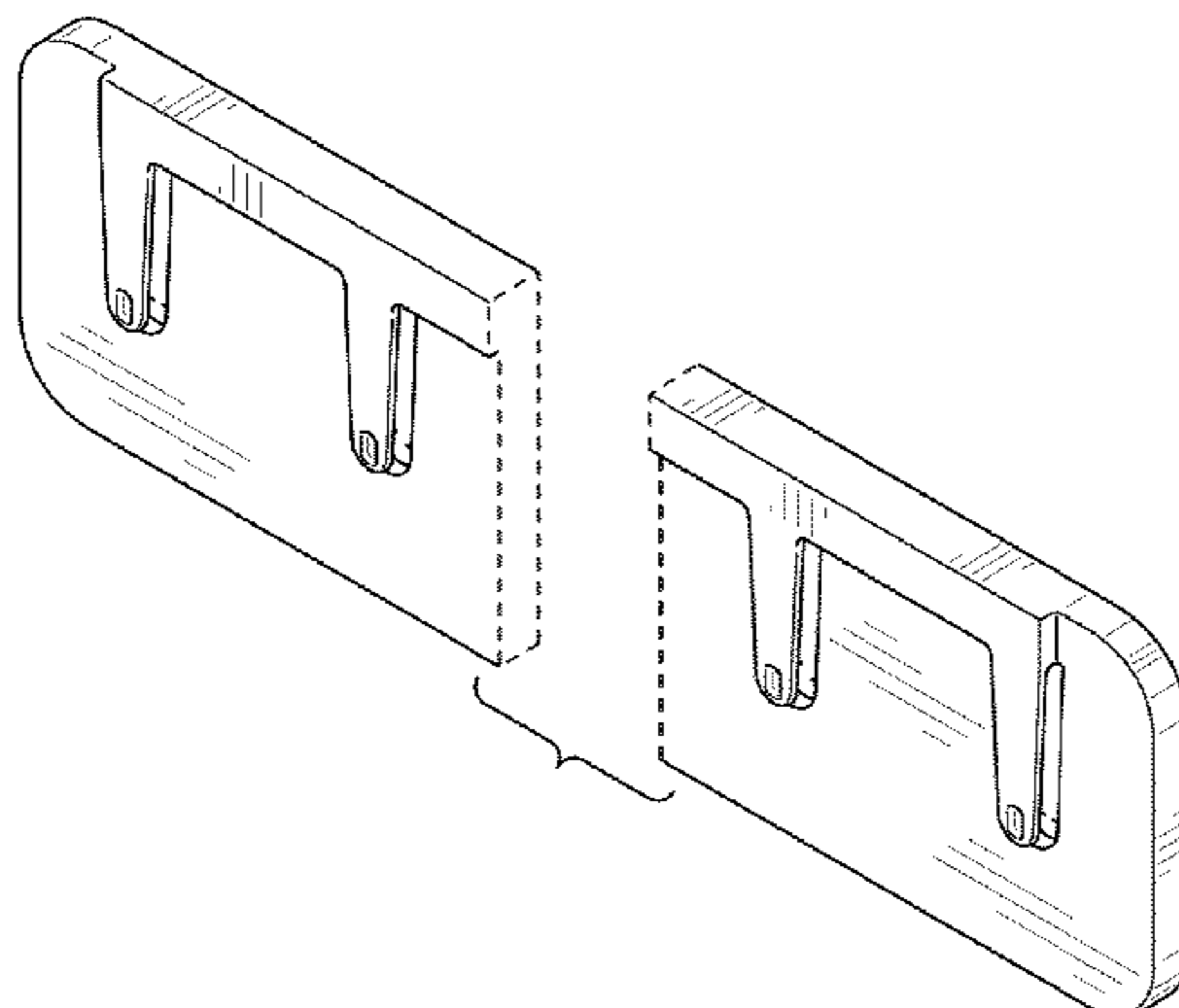
(57) **CLAIM**

The ornamental design for a note holder, as shown and described.

DESCRIPTION

FIG. 1 is a perspective view of a note holder showing my new design;
FIG. 2 is a front view thereof;
FIG. 3 is a top view thereof;
FIG. 4 is a bottom view thereof;
FIG. 5 is a right side view thereof;
FIG. 6 is a left side view thereof;
FIG. 7 is a perspective view of an embodiment of a note holder differing from the note holder of FIGS. 1-6 by having a disclaimed center region of a first length;
FIG. 8 is a front view thereof;
FIG. 9 is a top view thereof;
FIG. 10 is a bottom view thereof;
FIG. 11 is a right side view thereof;
FIG. 12 is a left side view thereof;
FIG. 13 is a perspective view of an embodiment of a note holder differing from the note holder of FIGS. 1-6 by having a disclaimed center region of a second length;
FIG. 14 is a front view thereof;
FIG. 15 is a top view thereof;
FIG. 16 is a bottom view thereof;
FIG. 17 is a right side view thereof;
FIG. 18 is a left side view thereof;
FIG. 19 is a perspective view an embodiment of a note holder differing from the note holder of FIGS. 1-6 by having a disclaimed center region of a third length;
FIG. 20 is a front view thereof;
FIG. 21 is a top view thereof;
FIG. 22 is a bottom view thereof
FIG. 23 is a right side view thereof; and,
FIG. 24 is a left side view thereof.
The broken away symbols in FIGS. 1-6 indicate the appearance of any portion of the article between the break lines forms no part of the claimed design. The broken line showing of the center region in FIGS. 7-24 is for environmental purposes only and forms no part of the claimed design.

1 Claim, 8 Drawing Sheets



(56)

References Cited

U.S. PATENT DOCUMENTS

1,618,384 A * 2/1927 Morris 24/570
 1,730,241 A * 10/1929 Porter 40/652
 1,973,989 A * 9/1934 Lukacs 40/360
 D118,748 S * 1/1940 Sprague D27/174
 2,468,355 A * 4/1949 Ambler 402/15
 D159,576 S * 8/1950 Bamford D19/65
 2,779,114 A * 1/1957 Orthwine 40/658
 2,779,650 A * 1/1957 Lamothe 312/246
 D218,874 S * 9/1970 Whittaker D19/91
 3,604,727 A * 9/1971 Wilkin 281/42
 4,528,800 A * 7/1985 Burns 53/492
 D316,275 S * 4/1991 Davis et al. D19/91
 D318,625 S * 7/1991 Stowell D10/31

D327,095 S * 6/1992 Meyer D19/90
 5,214,825 A * 6/1993 Hirzel 24/67.9
 5,339,967 A * 8/1994 Valiulis 211/57.1
 5,975,478 A * 11/1999 Marino 248/442.2
 D445,457 S * 7/2001 Brumby D19/91
 D451,134 S * 11/2001 Fonfeder D19/27
 D487,289 S * 3/2004 Richter D19/90
 7,040,051 B2 * 5/2006 Windorski 40/641
 7,100,884 B2 * 9/2006 Lorber 248/453
 7,857,127 B2 * 12/2010 Lau 206/223
 D645,515 S * 9/2011 Williams, Sr. D19/86
 D664,200 S * 7/2012 Lau D19/65
 8,510,916 B2 * 8/2013 Kinvi 24/3.12
 2013/0161473 A1 * 6/2013 Gandiboyina 248/467
 2013/0200228 A1 8/2013 Costas

* cited by examiner

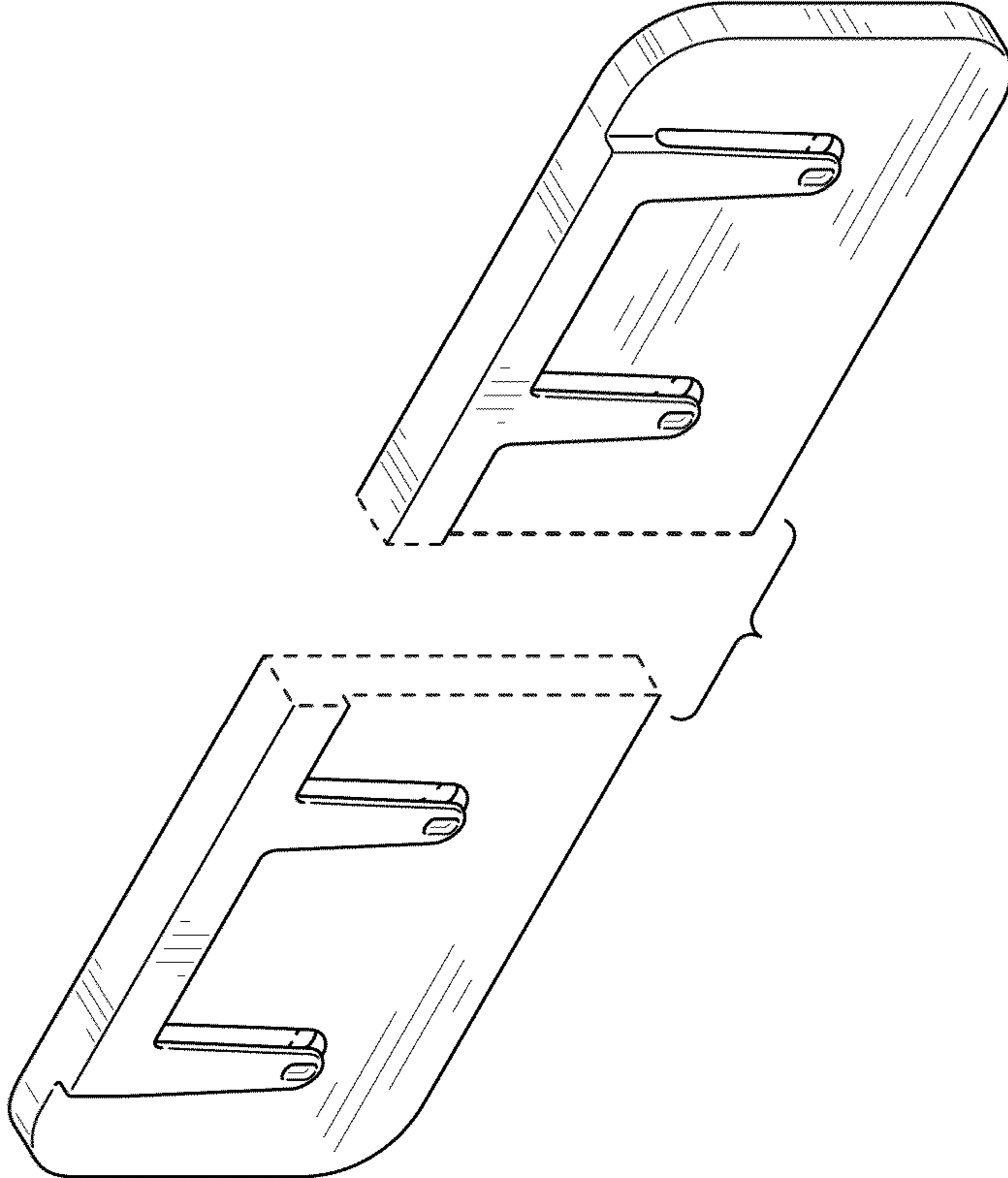


FIG. 1

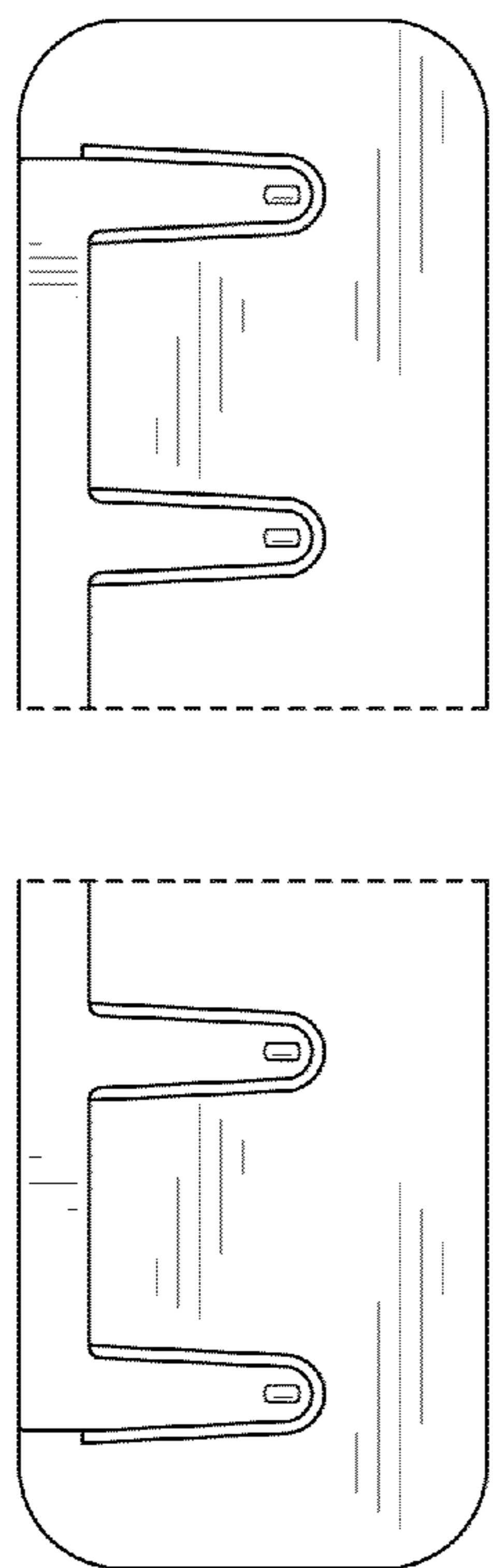


FIG. 2



FIG. 3



FIG. 4

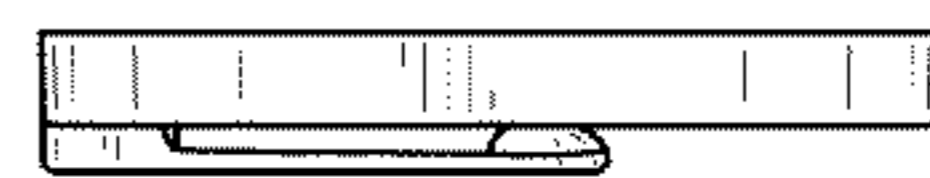


FIG. 5

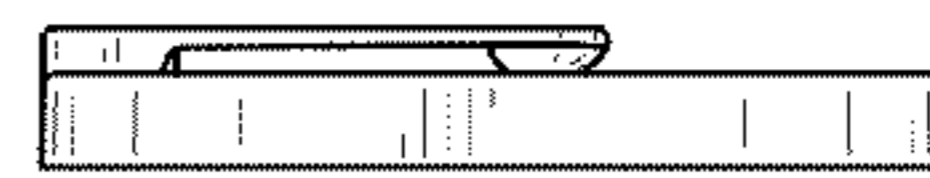


FIG. 6

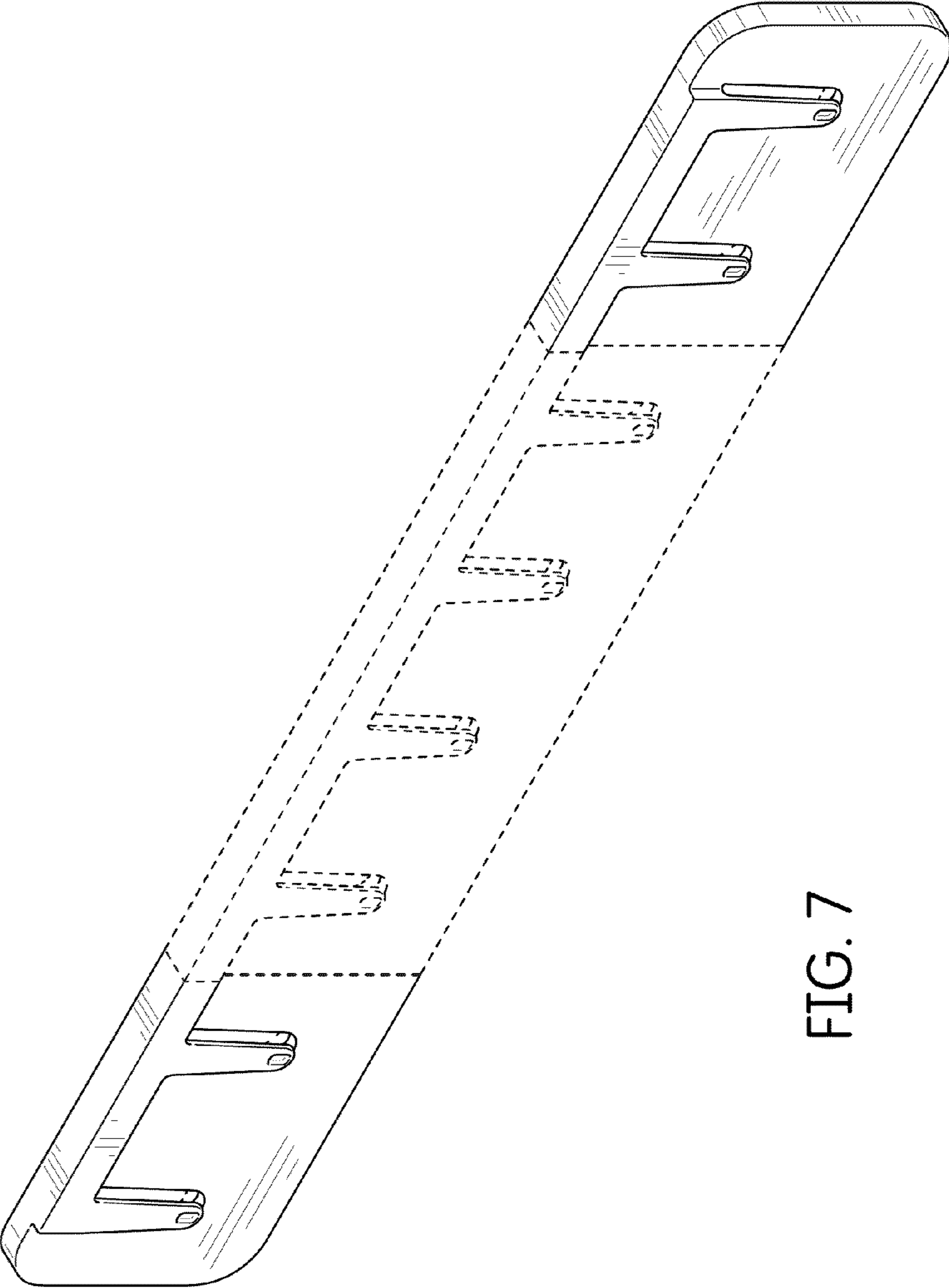


FIG. 7

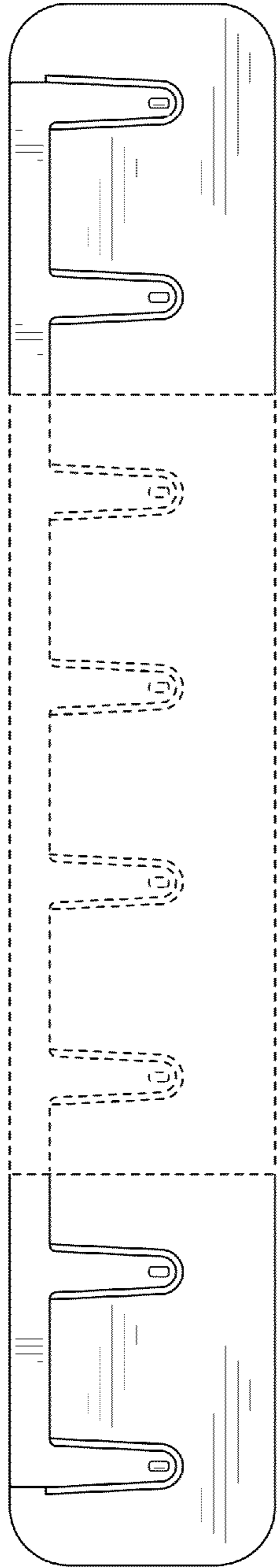


FIG. 8



FIG. 9



FIG. 10



FIG. 11

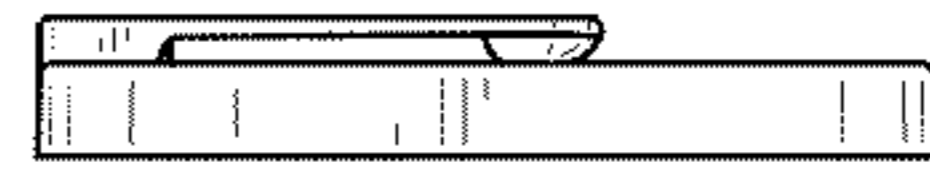


FIG. 12

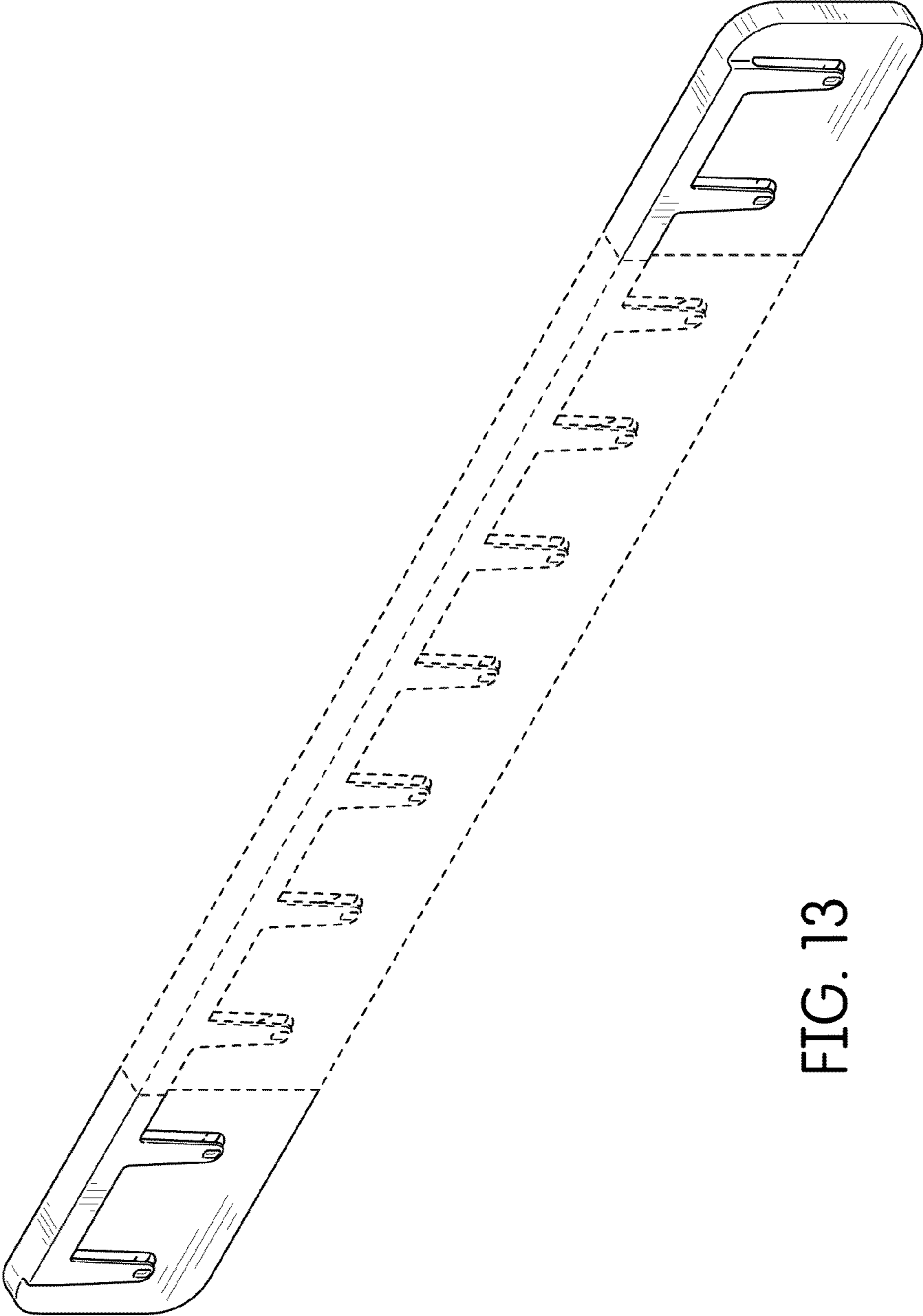


FIG. 13

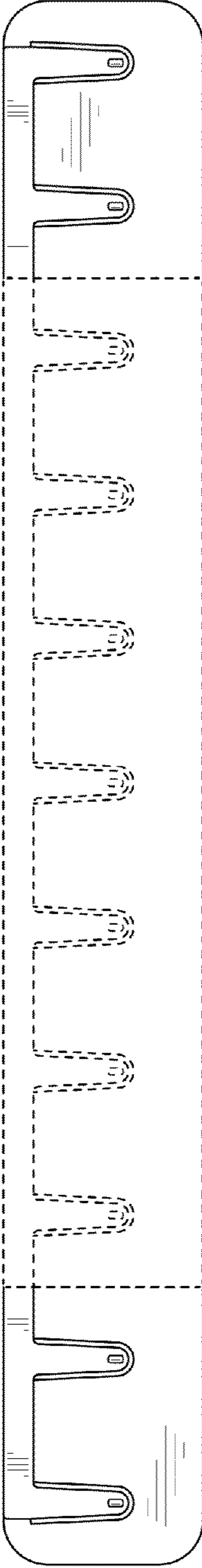


FIG. 14



FIG. 15



FIG. 16

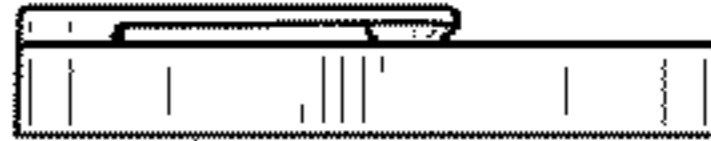


FIG. 17



FIG. 18

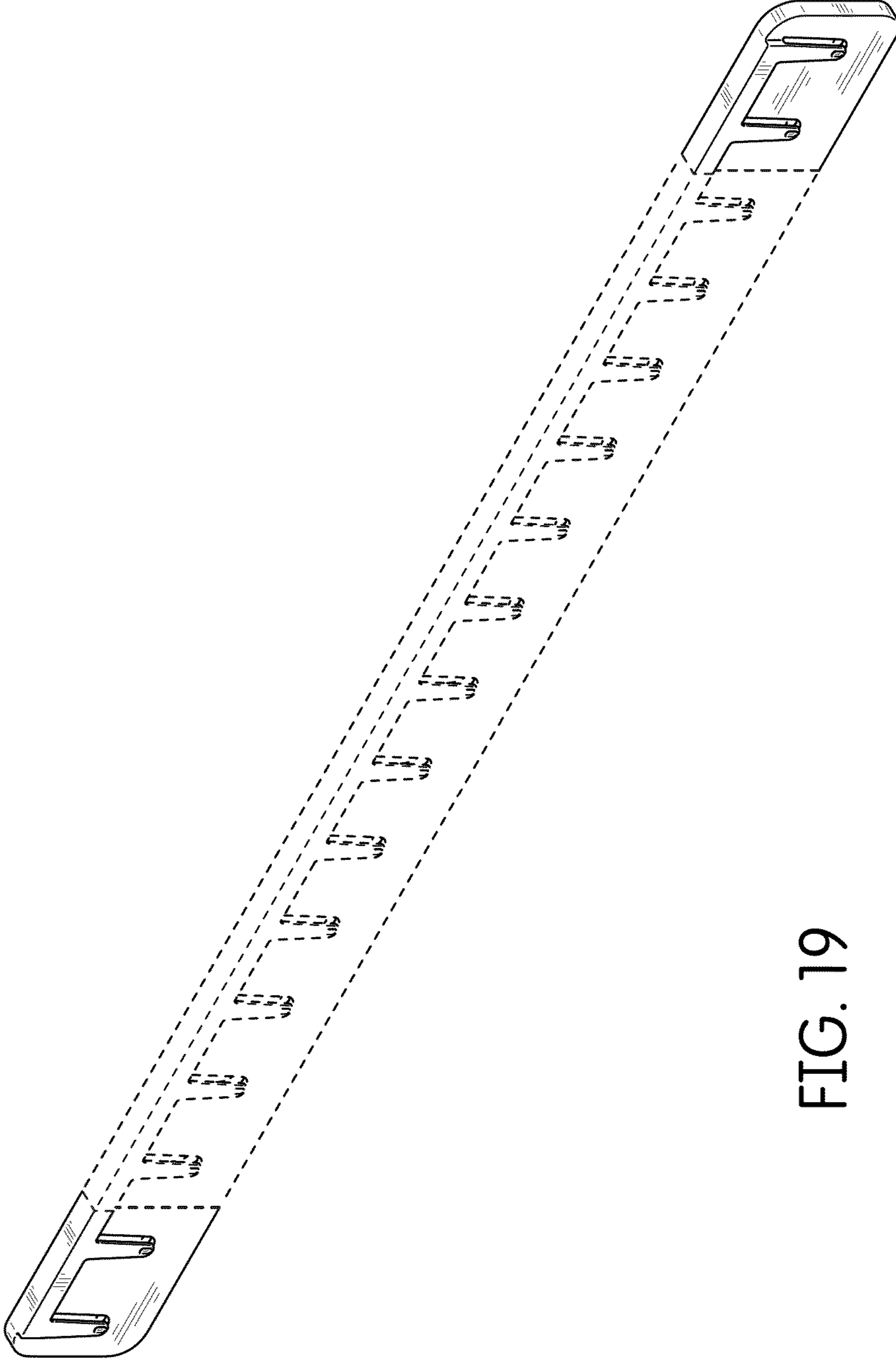


FIG. 19

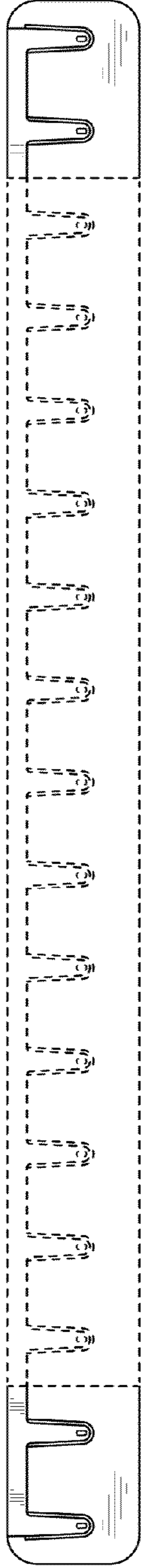


FIG. 20

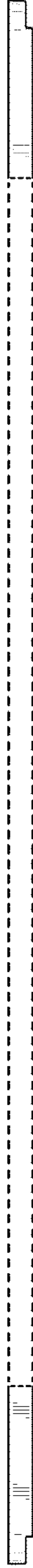


FIG. 21

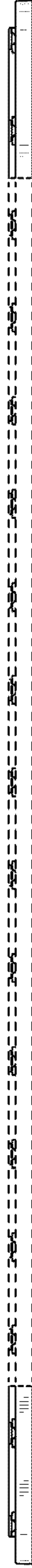


FIG. 22



FIG. 23



FIG. 24