



US00D715858S

(12) **United States Design Patent**  
**Chinitz**

(10) **Patent No.:** **US D715,858 S**  
(45) **Date of Patent:** **\*\* Oct. 21, 2014**

- (54) **EDUCATIONAL GRAPH DEVICE**
- (71) Applicant: **Ron Z. Chinitz**, Marina Del Rey, CA  
(US)
- (72) Inventor: **Ron Z. Chinitz**, Marina Del Rey, CA  
(US)
- (\*\*) Term: **14 Years**
- (21) Appl. No.: **29/462,698**
- (22) Filed: **Aug. 7, 2013**
- (51) **LOC (10) Cl.** ..... **19-07**
- (52) **U.S. Cl.**  
USPC ..... **D19/62**
- (58) **Field of Classification Search**  
CPC ..... B43L 3/00; B43L 13/001; G09B 19/02;  
G09B 23/04; G09B 23/06; G09B 29/00  
USPC ..... D19/59-64, 26, 101, 37-40, 192, 100;  
D21/468, 472, 333; 434/90, 210-211,  
434/300, 430; D18/15-18, 99; 101/372,  
101/405; D14/149-150, 240  
See application file for complete search history.

(56) **References Cited**

**U.S. PATENT DOCUMENTS**

D175,173 S *	7/1955	Kress	.....	D18/15
D291,703 S *	9/1987	Fink et al.	.....	D18/15
D413,021 S *	8/1999	Wheatley et al.	.....	D14/240
D426,786 S *	6/2000	Chery	.....	D10/104.1
D460,753 S *	7/2002	Hill et al.	.....	D14/240
D471,542 S *	3/2003	Sim	.....	D14/240
D480,103 S *	9/2003	Stefanski et al.	.....	D18/15

D481,371 S *	10/2003	Chen	.....	D14/150
D488,794 S *	4/2004	Chen	.....	D14/150
D556,179 S *	11/2007	Chang	.....	D14/150
D557,676 S *	12/2007	Suzuki et al.	.....	D14/149
D558,728 S *	1/2008	Murakami	.....	D14/150
D568,381 S *	5/2008	Shih	.....	D18/15
D570,820 S *	6/2008	Katori	.....	D14/149
D584,763 S *	1/2009	Yonezu	.....	D18/18
D616,922 S *	6/2010	Faber	.....	D18/18
D651,258 S *	12/2011	Rivard et al.	.....	D21/333
D685,755 S *	7/2013	Shin et al.	.....	D14/142
D688,326 S *	8/2013	Colwell	.....	D21/472

\* cited by examiner

*Primary Examiner* — T. Chase Nelson

*Assistant Examiner* — Mark Cavanna

(74) *Attorney, Agent, or Firm* — Michael N. Cohen; Cohen IP Law Group P.C.

(57) **CLAIM**

I claim the ornamental design for the educational graph device, as shown and described.

**DESCRIPTION**

FIG. 1 is a side top perspective view of the educational graph device;

FIG. 2 is a bottom perspective view of FIG. 1;

FIG. 3 is a right side vertical view of FIG. 1;

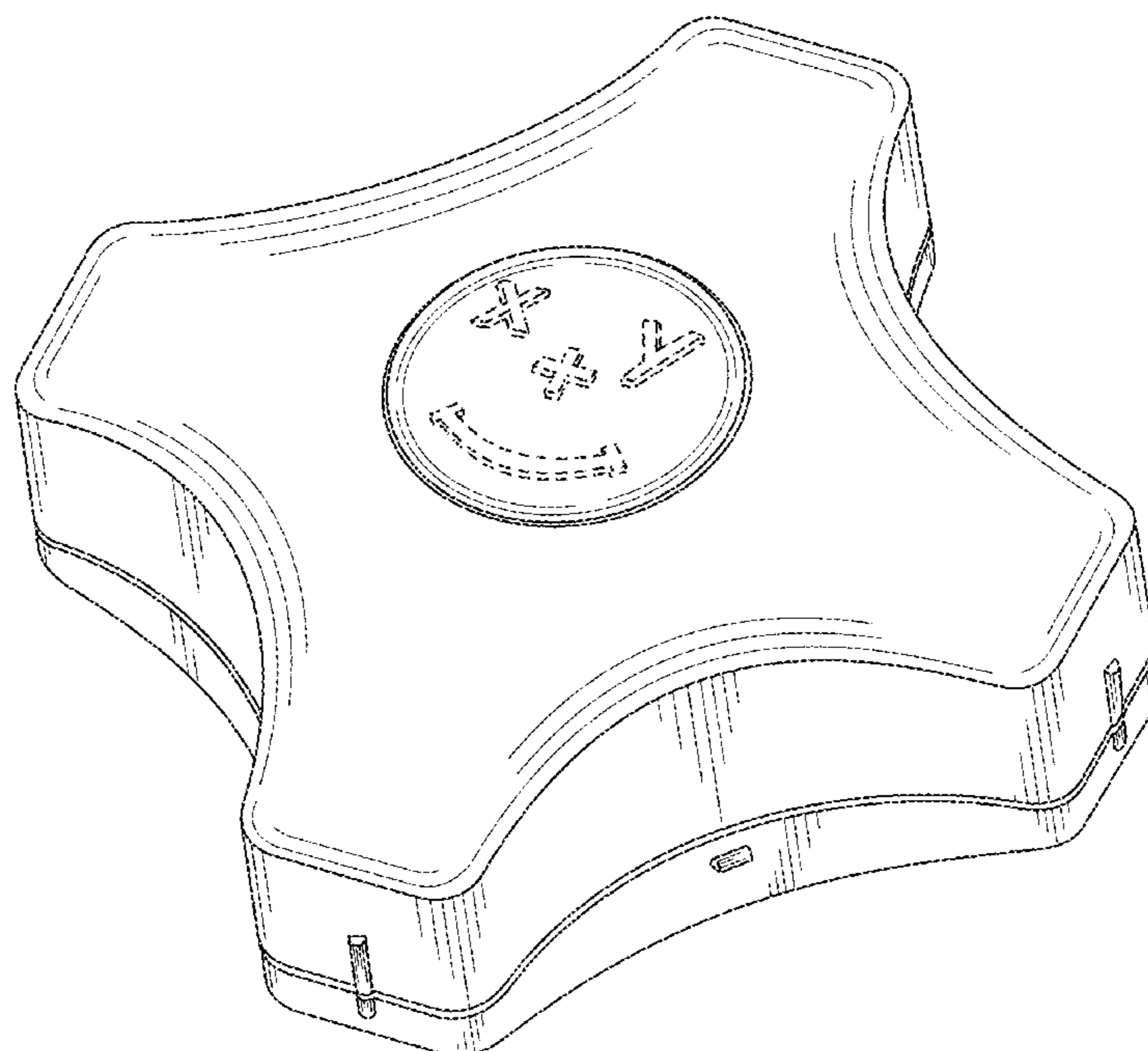
FIG. 4 is a top view of FIG. 1;

FIG. 5 is a bottom view of FIG. 1; and,

FIG. 6 is a horizontal side view of FIG. 1.

The broken lines are included for the purpose of illustrating portions of the educational graph device that form no part of the claimed design.

**1 Claim, 6 Drawing Sheets**



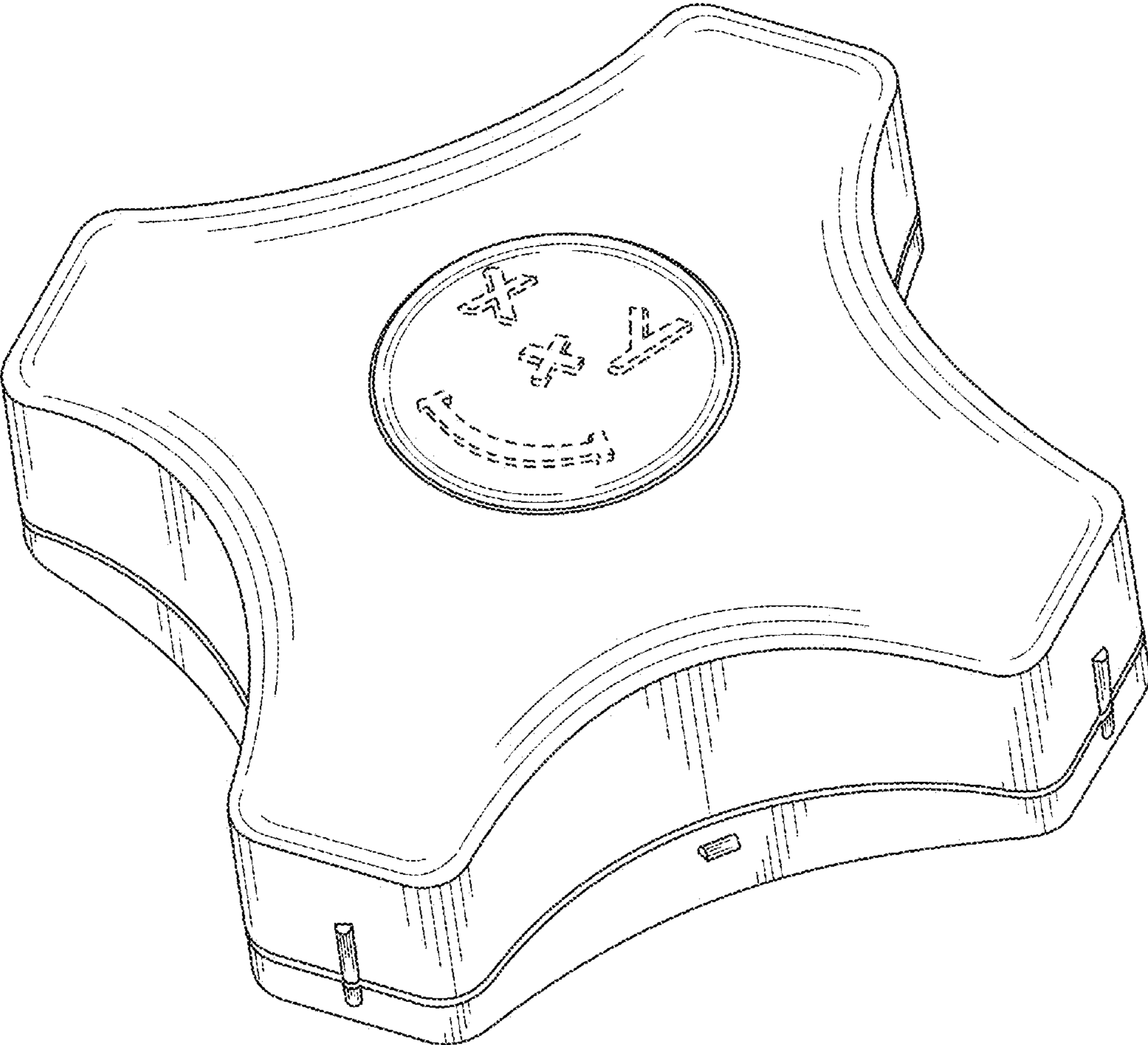


FIG. 1

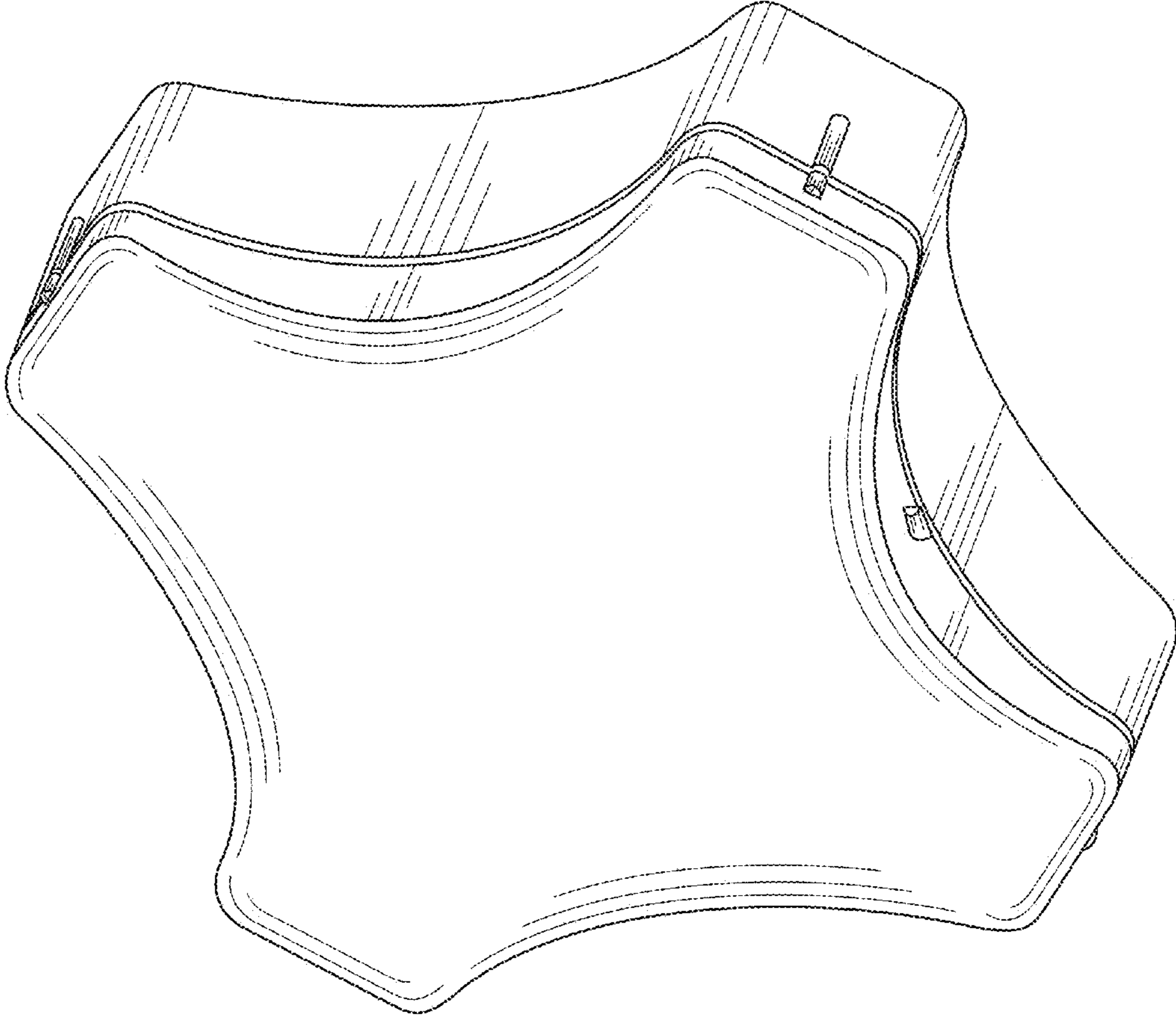


FIG. 2

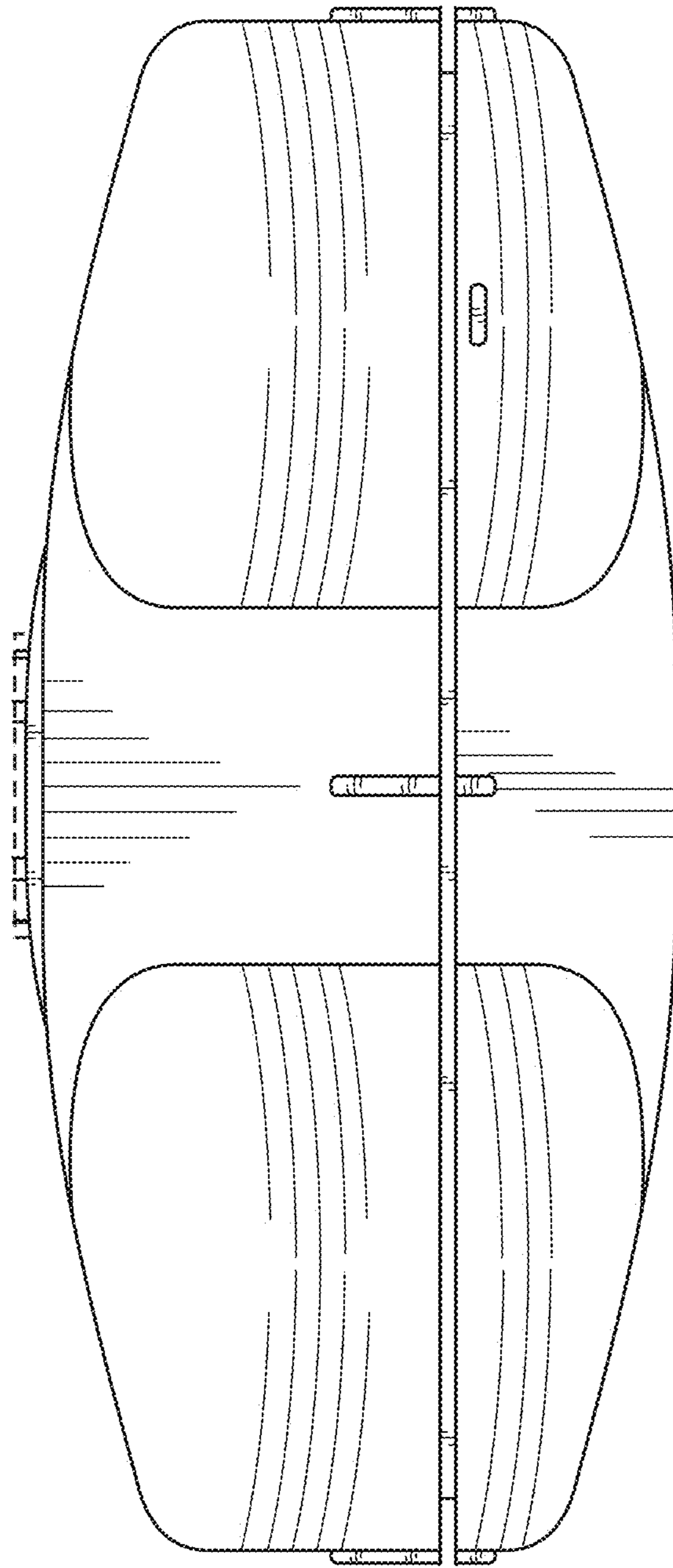


FIG. 3

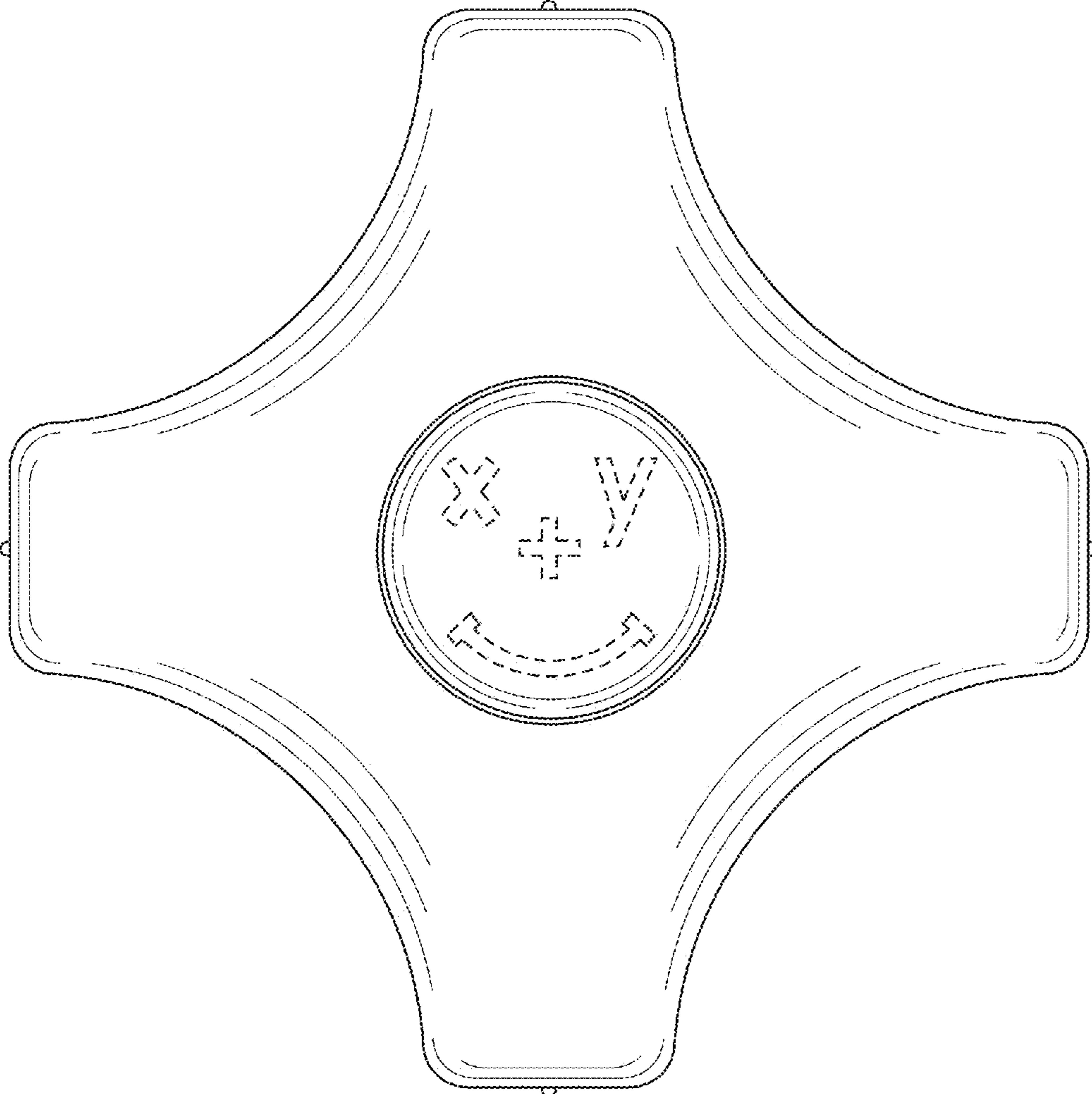


FIG. 4

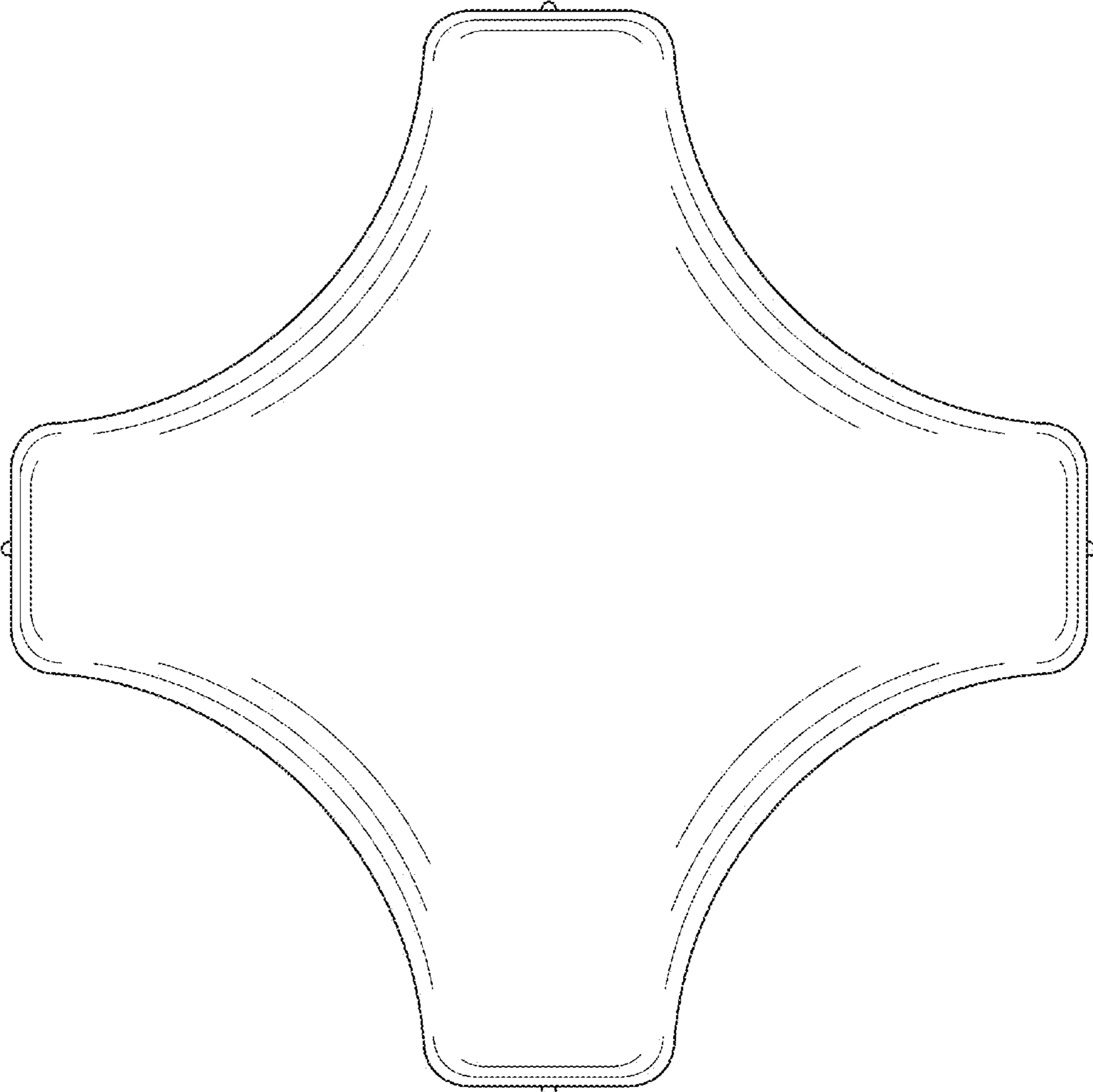


FIG. 5

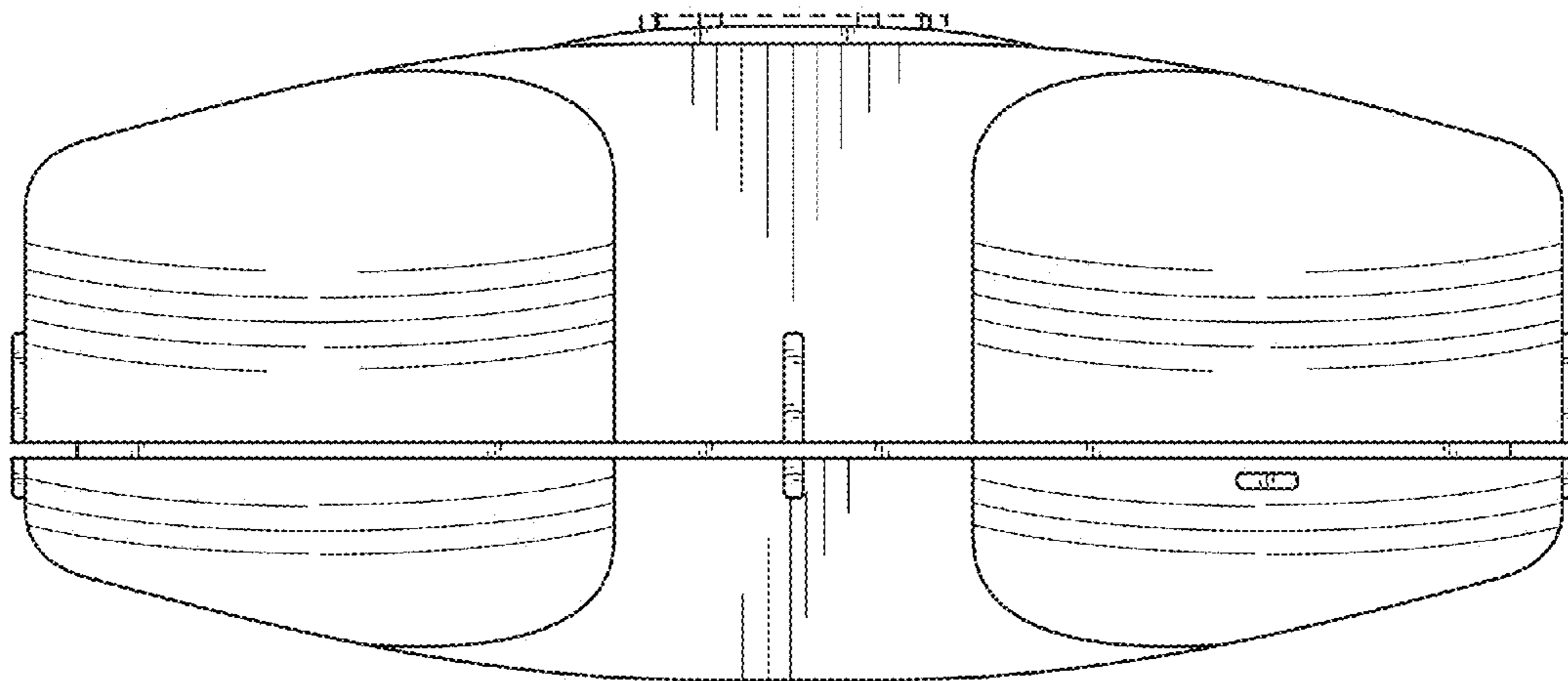


FIG. 6