

US00D715855S

(12) **United States Design Patent**
Cunningham et al.

(10) **Patent No.:** **US D715,855 S**
(45) **Date of Patent:** **** Oct. 21, 2014**

(54) **ACTUATING LEVER FOR A BINDER MECHANISM**

2004/0234328 A1* 11/2004 Wong 402/19
2006/0088365 A1* 4/2006 Whaley 402/38
2009/0169287 A1* 7/2009 Cheng 402/19

(75) Inventors: **Christopher H. Cunningham**,
Mundelein, IL (US); **Michael R. Seskauskas**,
Lemont, IL (US)

(Continued)

(73) Assignee: **ACCO Brands Corporation**, Lake
Zurich, IL (US)

OTHER PUBLICATIONS

2012 United Stationers Catalog, pp. 312 and 315, all referenced binders available at least as early as Mar. 29, 2011.

(**) Term: **14 Years**

(Continued)

(21) Appl. No.: **29/417,179**

Primary Examiner — Deanna L Pratt

(22) Filed: **Mar. 30, 2012**

Assistant Examiner — Ieisha Price

(51) **LOC (10) Cl.** **19-04**

(74) *Attorney, Agent, or Firm* — Michael Best & Friedrich LLP

(52) **U.S. Cl.**
USPC **D19/32**

(57) **CLAIM**

We claim the ornamental design for an actuating lever for a binder mechanism, as shown and described.

(58) **Field of Classification Search**
CPC B42F 3/04; B42F 13/16; G05G 1/06
USPC D19/26, 32, 100, 925; 402/2, 5, 6, 19,
402/21, 26, 29, 31, 36, 37, 38, 41, 57, 60,
402/68, 69, 80 R, 500; 74/469, 519, 523
See application file for complete search history.

DESCRIPTION

FIG. 1 is a perspective view of the actuating lever for a binder mechanism embodying the present invention.

FIG. 2 is a front view of the actuating lever for a binder mechanism of FIG. 1.

FIG. 3 is a rear view of the actuating lever for a binder mechanism of FIG. 1.

FIG. 4 is a left side view of the actuating lever for a binder mechanism of FIG. 1.

FIG. 5 is a right side view of the actuating lever for a binder mechanism of FIG. 1.

FIG. 6 is a top view of the actuating lever for a binder mechanism of FIG. 1; and,

FIG. 7 is a bottom view of the actuating lever for a binder mechanism of FIG. 1.

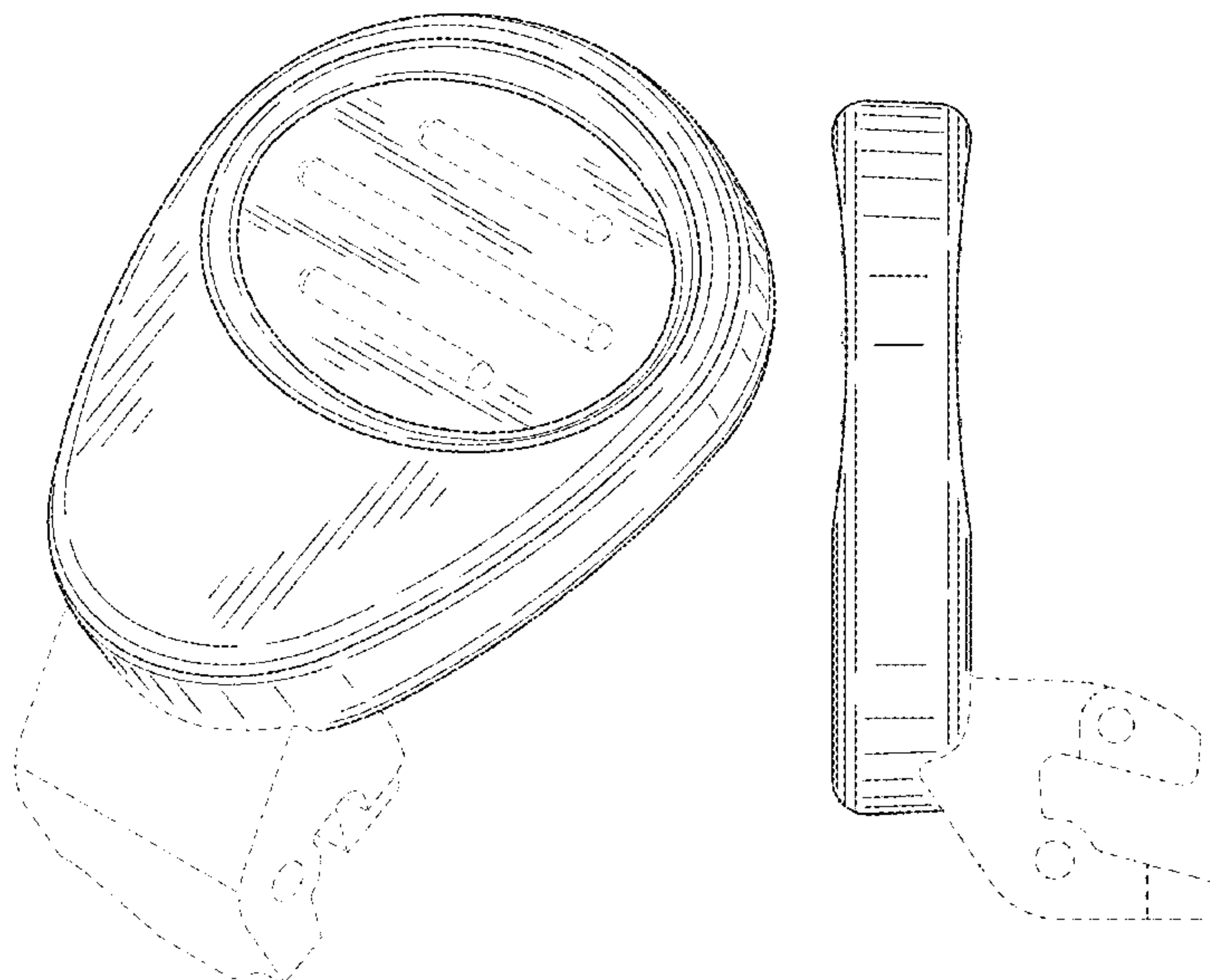
The broken lines in the drawings illustrate portions of the actuating lever for a binder mechanism which form no part of the claimed design.

(56) **References Cited**

U.S. PATENT DOCUMENTS

6,203,229	B1	3/2001	Coerver	
6,280,114	B1	8/2001	To	
6,364,558	B1	4/2002	To	
6,474,897	B1	11/2002	To	
6,533,486	B1	3/2003	To	
6,536,980	B2	3/2003	To	
7,270,496	B2	9/2007	Morgan et al.	
7,491,006	B2*	2/2009	Whaley	402/38
7,661,899	B2*	2/2010	Lin	402/20
7,726,897	B2*	6/2010	To et al.	402/29
8,147,160	B2*	4/2012	To et al.	402/38
8,162,556	B2*	4/2012	Cheng et al.	402/41
2004/0067094	A1	4/2004	Ko	

1 Claim, 4 Drawing Sheets



(56)

References Cited

U.S. PATENT DOCUMENTS

2011/0085846	A1 *	4/2011	Cheng et al.	402/20
2013/0255433	A1 *	10/2013	Corr et al.	74/523
2013/0287476	A1 *	10/2013	Huang	402/41

OTHER PUBLICATIONS

2012 The Office Collection Catalog, pp. 248-251, 253 and 262, all referenced binders available at least as early as Mar. 29, 2011.

Office Depot Brand View Professional Binder, 1" Rings, 220-Sheet Capacity, Burnt Orange, product details web page, retrieved from <http://officedepot.com/a/products/758382/Office-Depot-Brand-View-Professional-Binder/>, referenced binder available at least as early as Mar. 29, 2011, 2 pages.

Wilson-Jones Lite-Touch No-Gap 50% Recycled Locking Round-Ring View Binder, 2" Rings, 500-Sheet Capacity, White, product details web page, retrieved from <http://officedepot.com/a/products/985235/Wilson-Jones-Lite-Touch-No-Gap/>, referenced binder available at least as early as Mar. 29, 2011, 2 pages.

* cited by examiner

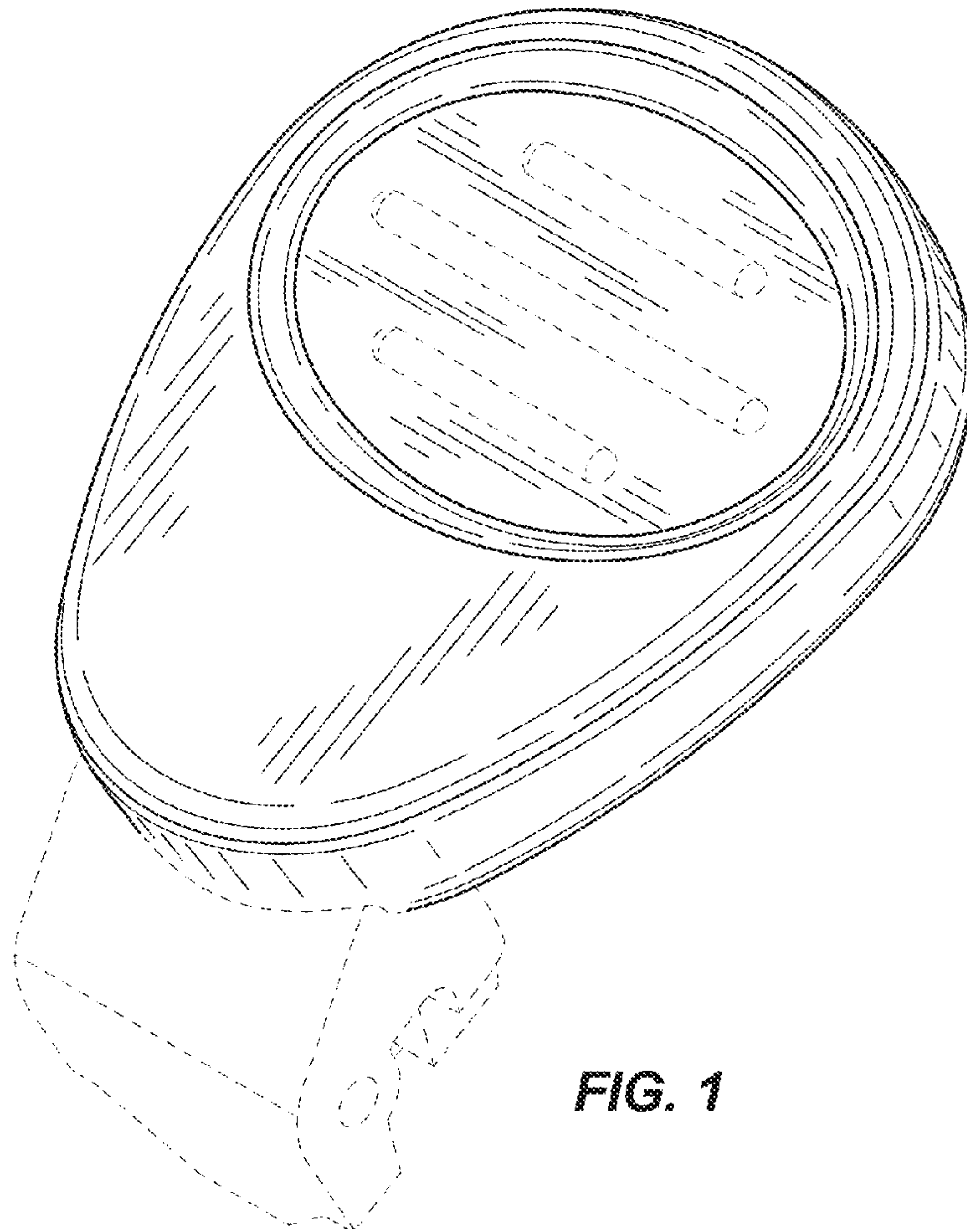


FIG. 1

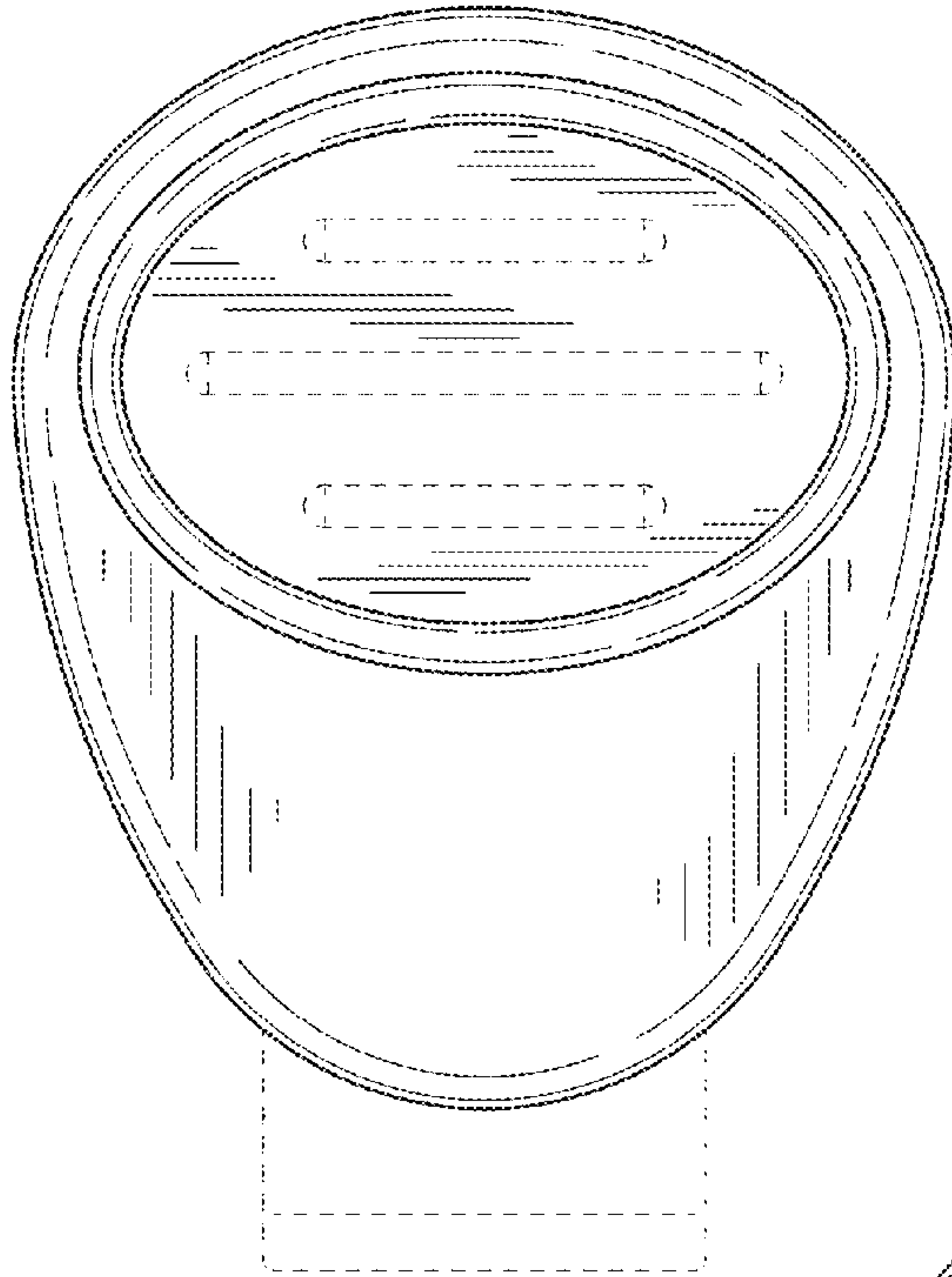


FIG. 2

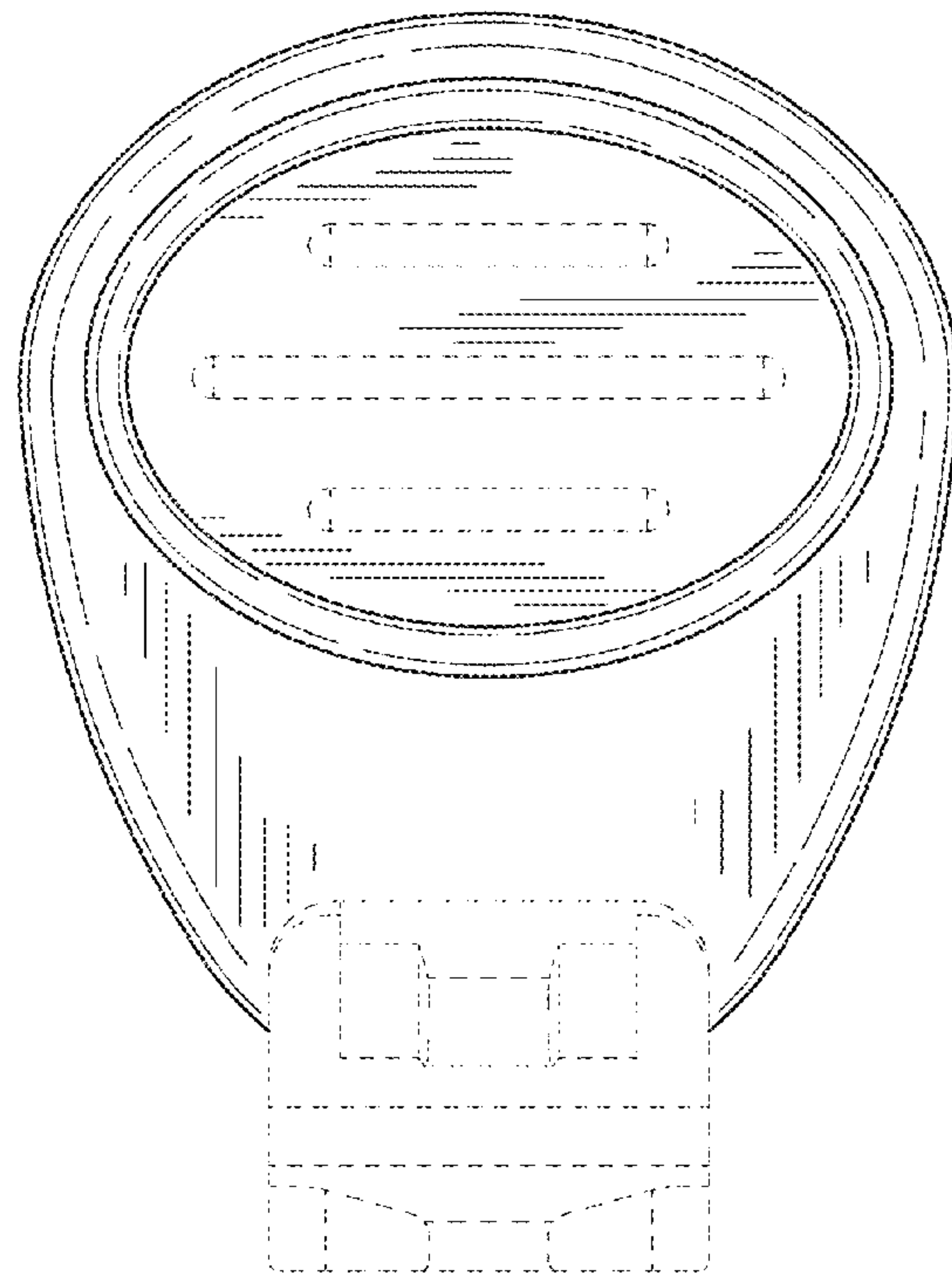


FIG. 3

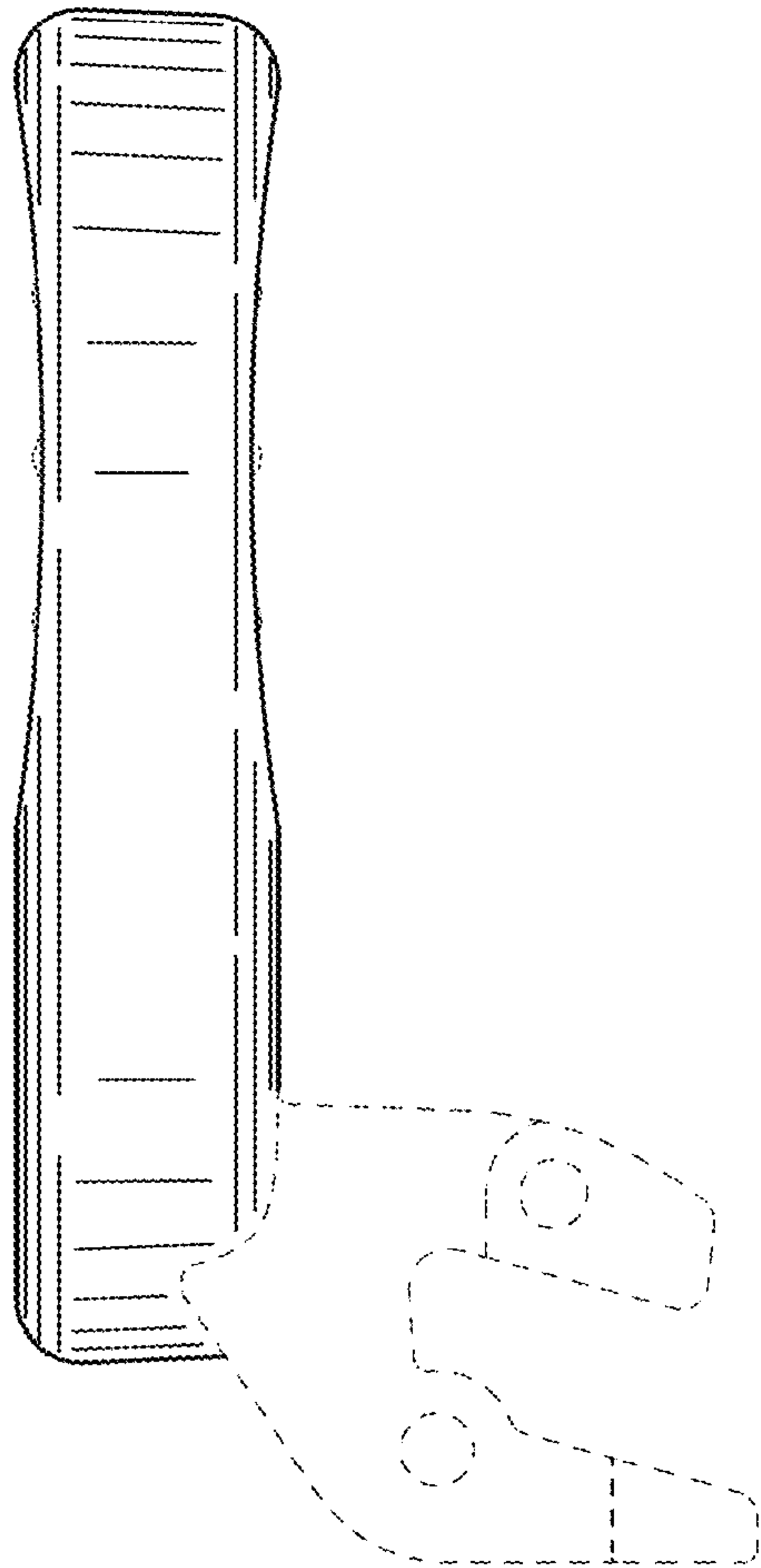


FIG. 4

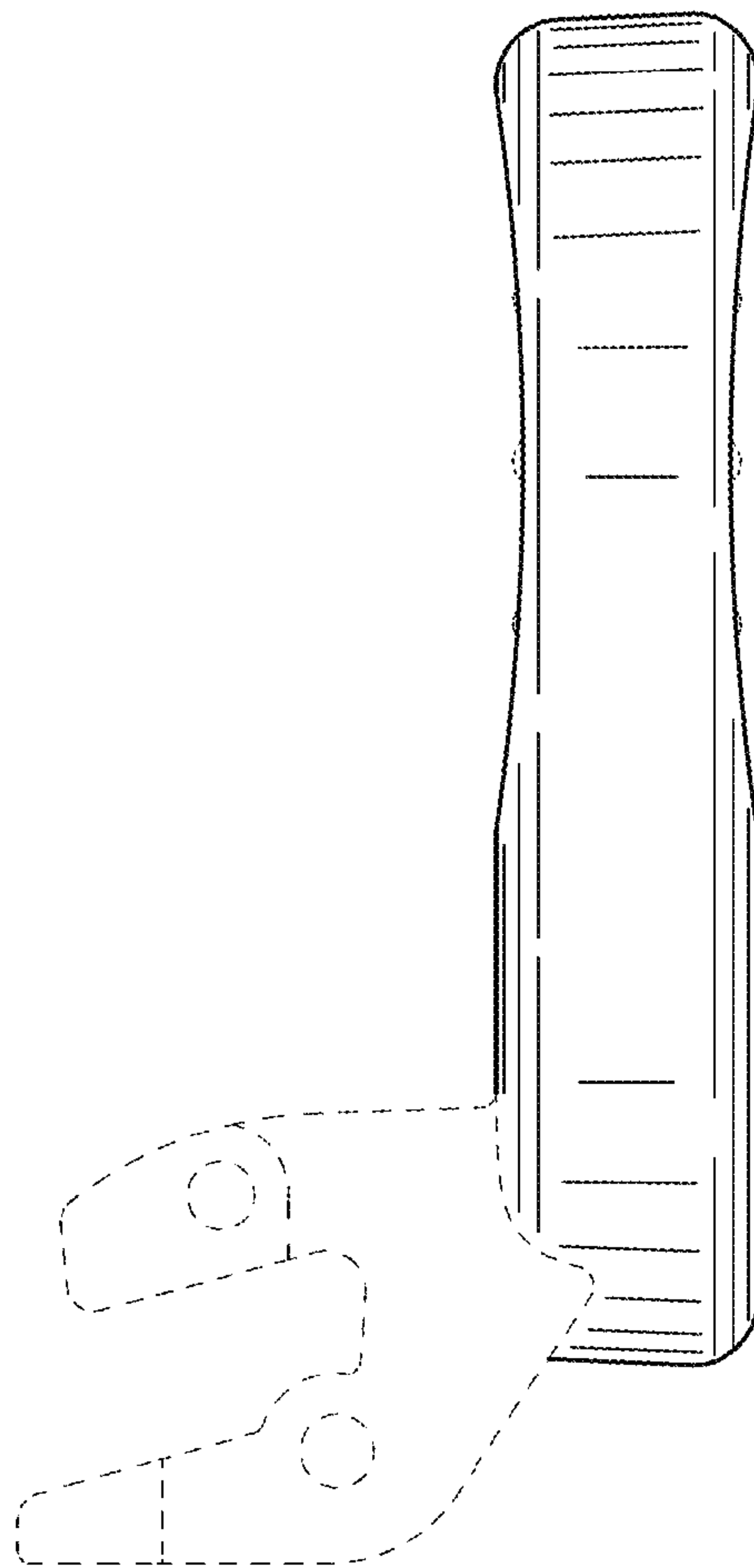


FIG. 5

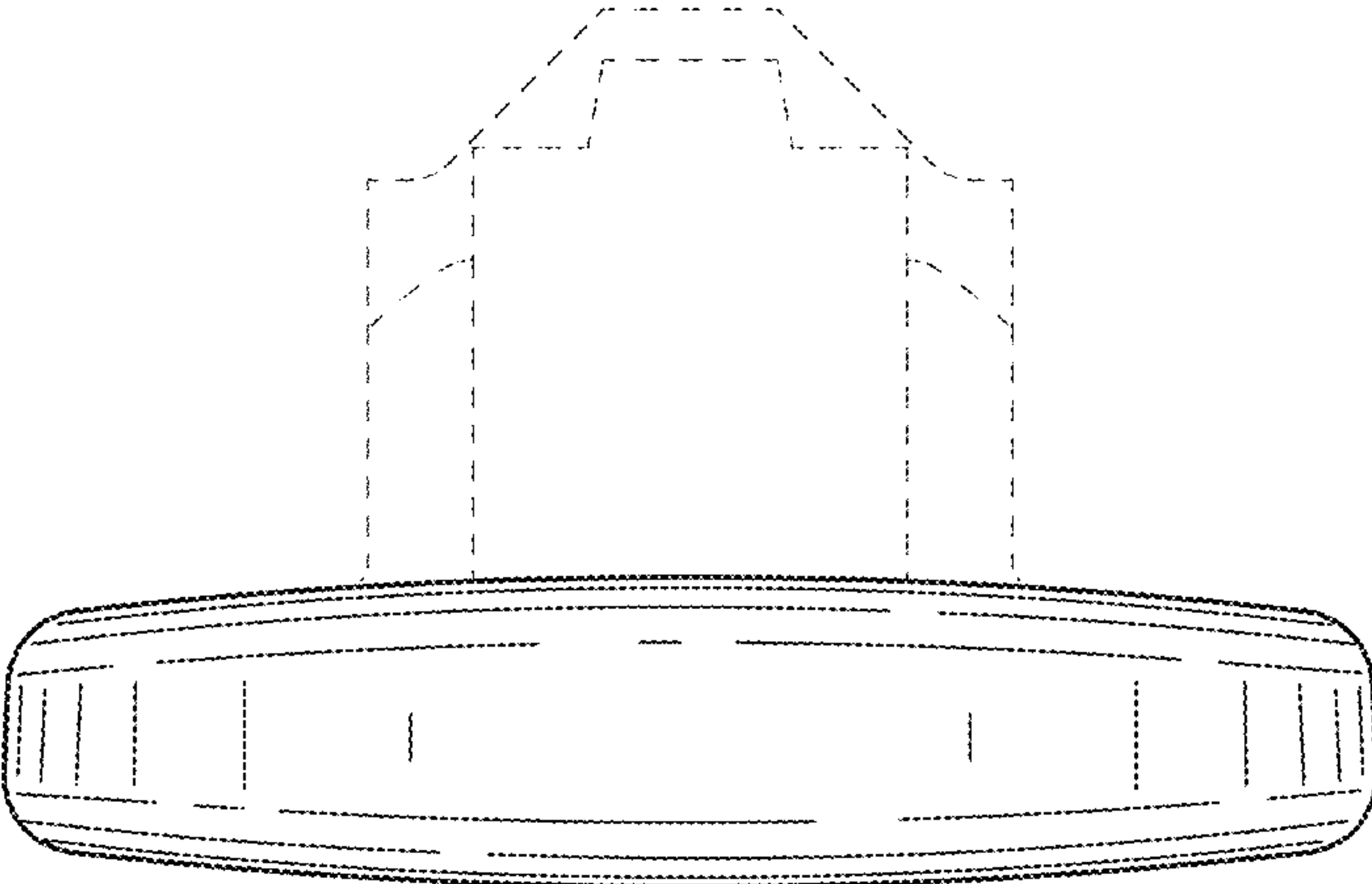


FIG. 6

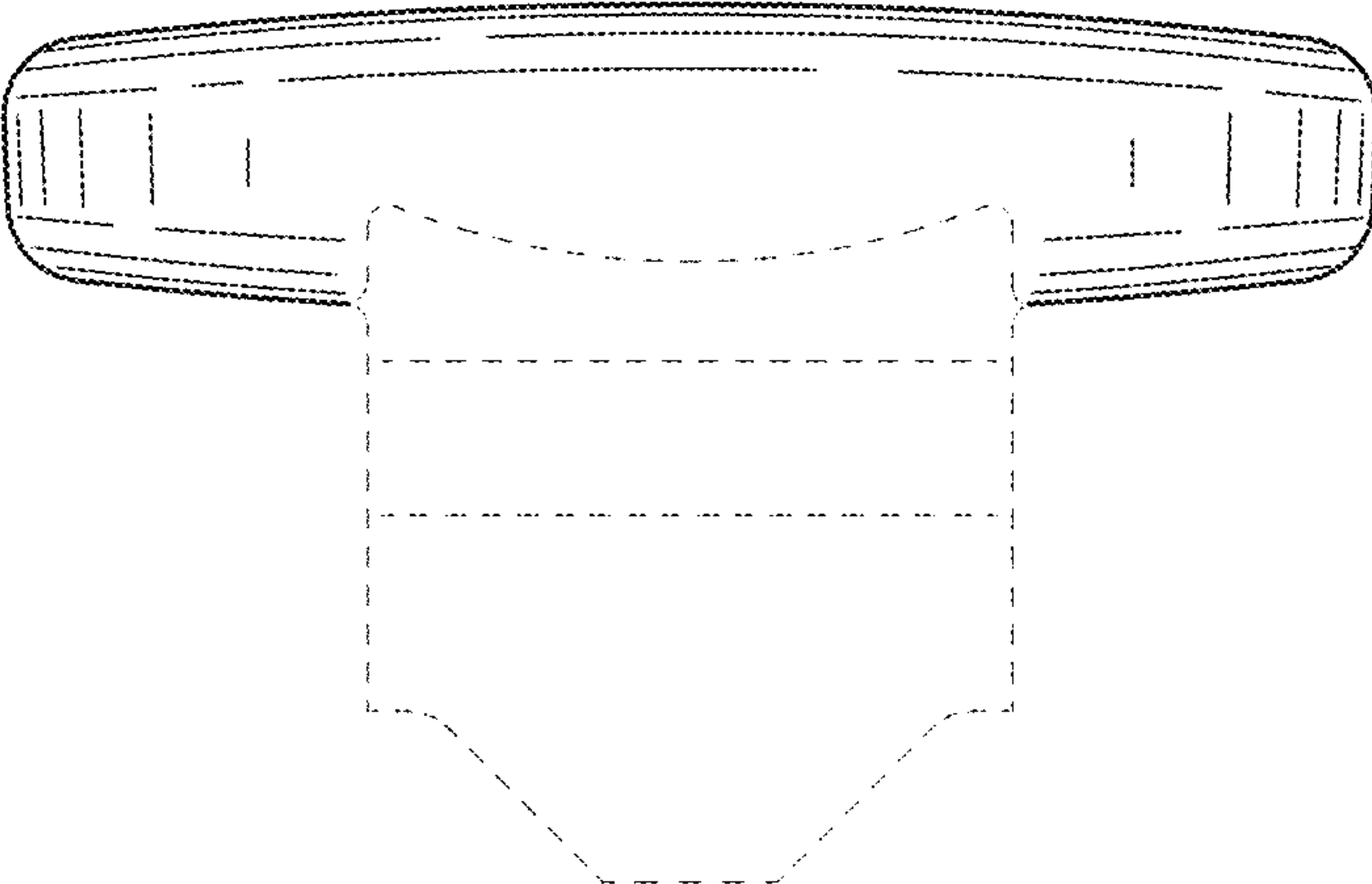


FIG. 7