



US00D715853S

(12) **United States Design Patent**
Kim et al.

(10) **Patent No.:** **US D715,853 S**
(45) **Date of Patent:** **** Oct. 21, 2014**

- (54) **CASE FOR A PRINTER**
- (71) Applicants: **Min-Chul Kim**, Seoul (KR);
Seung-Wook Jeong, Seoul (KR);
Sang-In Lee, Seongnam (KR)
- (72) Inventors: **Min-Chul Kim**, Seoul (KR);
Seung-Wook Jeong, Seoul (KR);
Sang-In Lee, Seongnam (KR)
- (73) Assignee: **Samsung Electronics Co., Ltd.**,
Suwon-si, Gyeonggi-do (KR)

- D641,038 S 7/2011 Park et al.
- D641,395 S 7/2011 Park et al.
- D641,396 S 7/2011 Park et al.
- D647,132 S * 10/2011 Kim et al. D18/55
- D685,412 S * 7/2013 Jihoon et al. D18/50
- D693,873 S 11/2013 Fukasawa et al.

OTHER PUBLICATIONS

U.S. Appl. No. 29/456,706, Applicant: Kwang-Hyuck So et al., filed Jun. 3, 2013 entitled Case for a Printer.
U.S. Appl. No. 29/456,704, Applicant: Min-Chul Kim et al., filed Jun. 3, 2013 entitled Case for a Printer.

* cited by examiner

Primary Examiner — Cathy A MacCormac

(74) *Attorney, Agent, or Firm* — Flynn, Thiel, Boutell & Tanis, P.C.

- (**) Term: **14 Years**
- (21) Appl. No.: **29/456,708**
- (22) Filed: **Jun. 3, 2013**

(57) **CLAIM**

The ornamental design for a case for a printer, as shown and described.

- (30) **Foreign Application Priority Data**
Dec. 5, 2012 (KR) 30-2012-0058337
- (51) **LOC (10) Cl.** **18-02**
- (52) **U.S. Cl.**
USPC **D18/50**
- (58) **Field of Classification Search**
USPC D18/36-37, 50, 54, 54.1, 55;
D14/420-425, 462-470; 400/613,
400/613.1-613.4, 690.1-690.4, 691-694
See application file for complete search history.

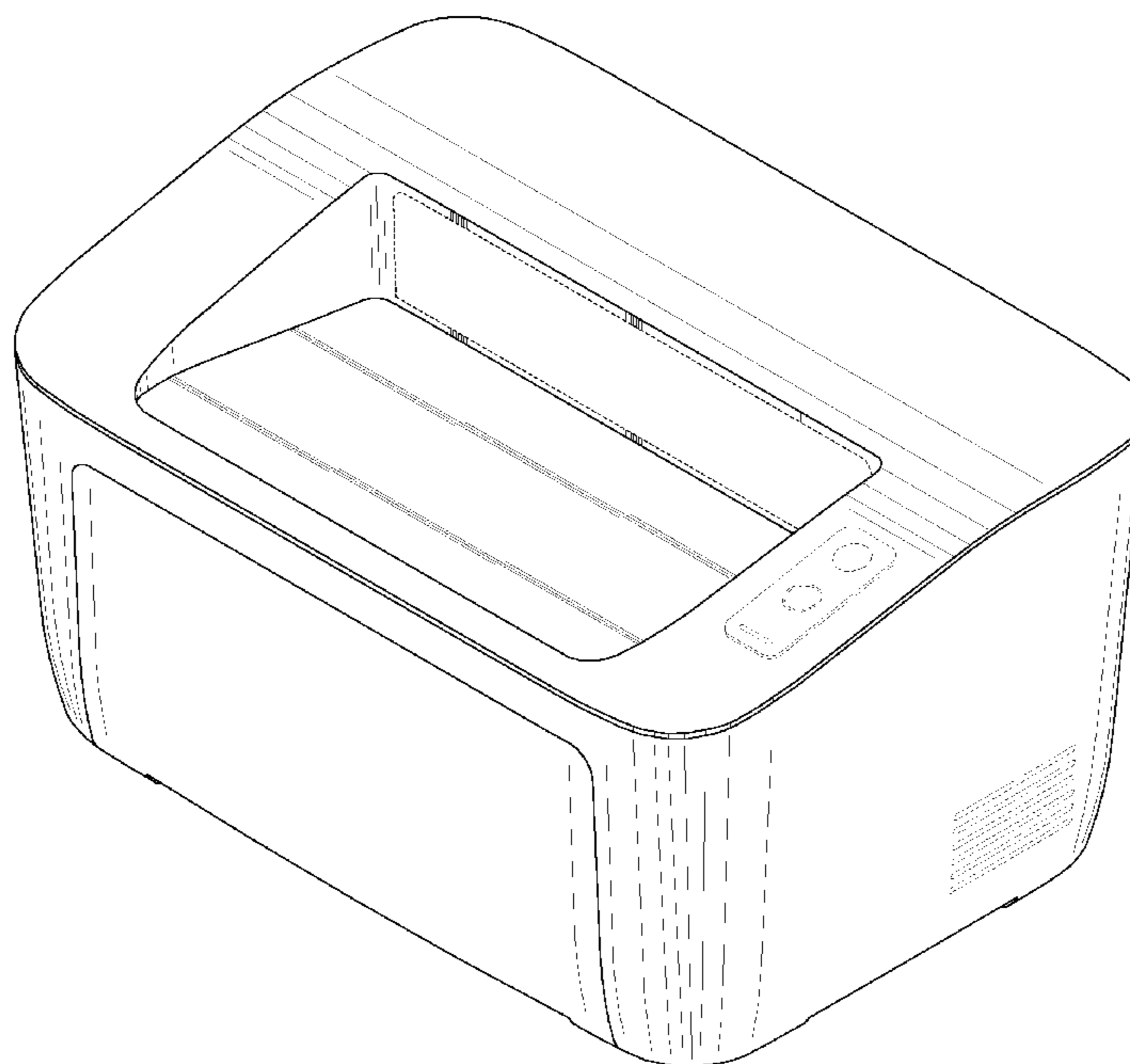
DESCRIPTION

FIG. 1 is a top front perspective view of a case for a printer showing our new design;
FIG. 2 is a front view thereof;
FIG. 3 is a rear view thereof;
FIG. 4 is a left side view thereof;
FIG. 5 is a right side view thereof;
FIG. 6 is a top view thereof; and,
FIG. 7 is a bottom view thereof.
The broken lines illustrating portions of the case for a printer are for environmental purposes only and form no part of the claimed design.

- (56) **References Cited**
U.S. PATENT DOCUMENTS

- D633,139 S 2/2011 Park et al.
- D639,847 S * 6/2011 Nakata et al. D18/50

1 Claim, 5 Drawing Sheets



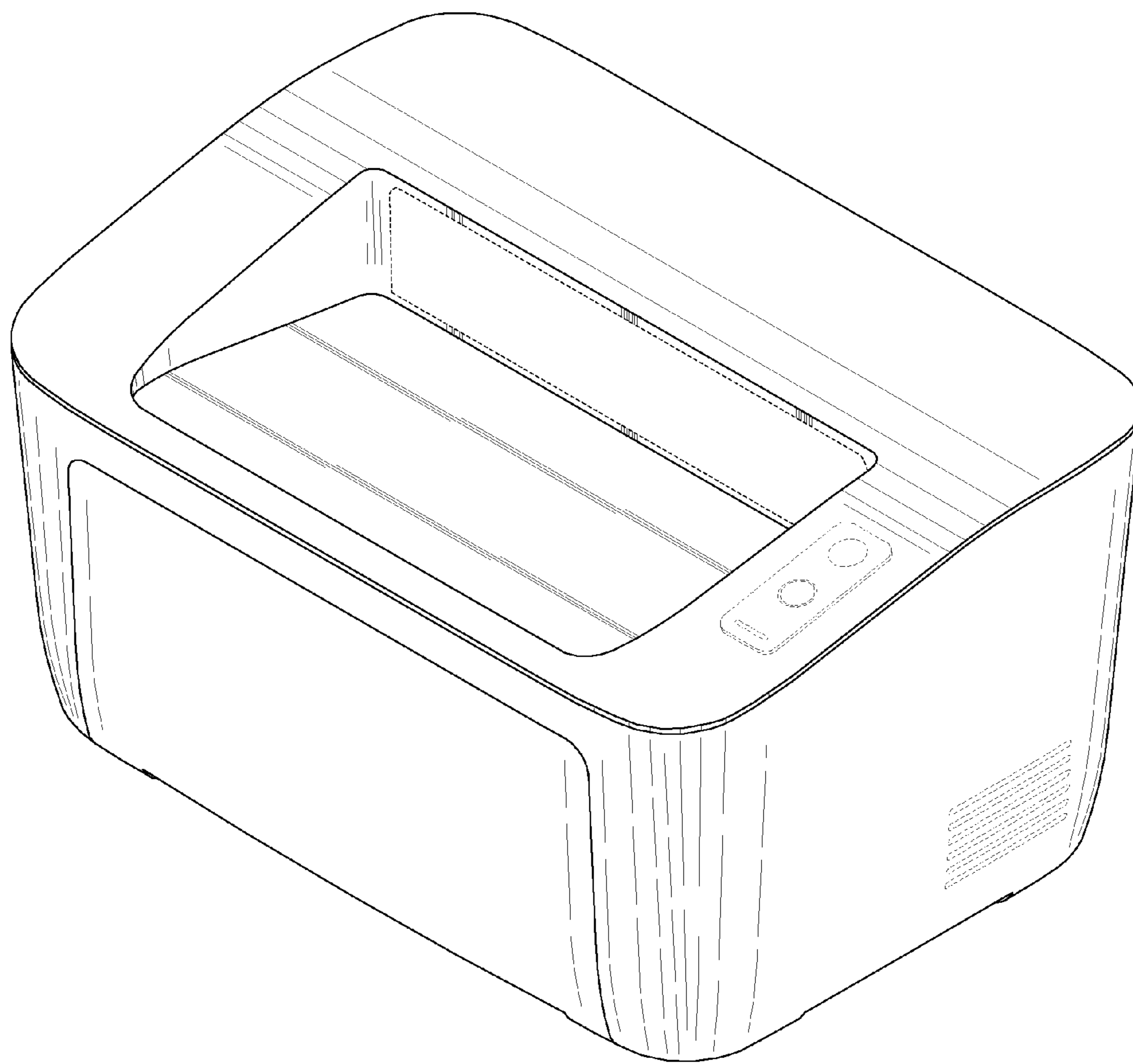


FIG.1

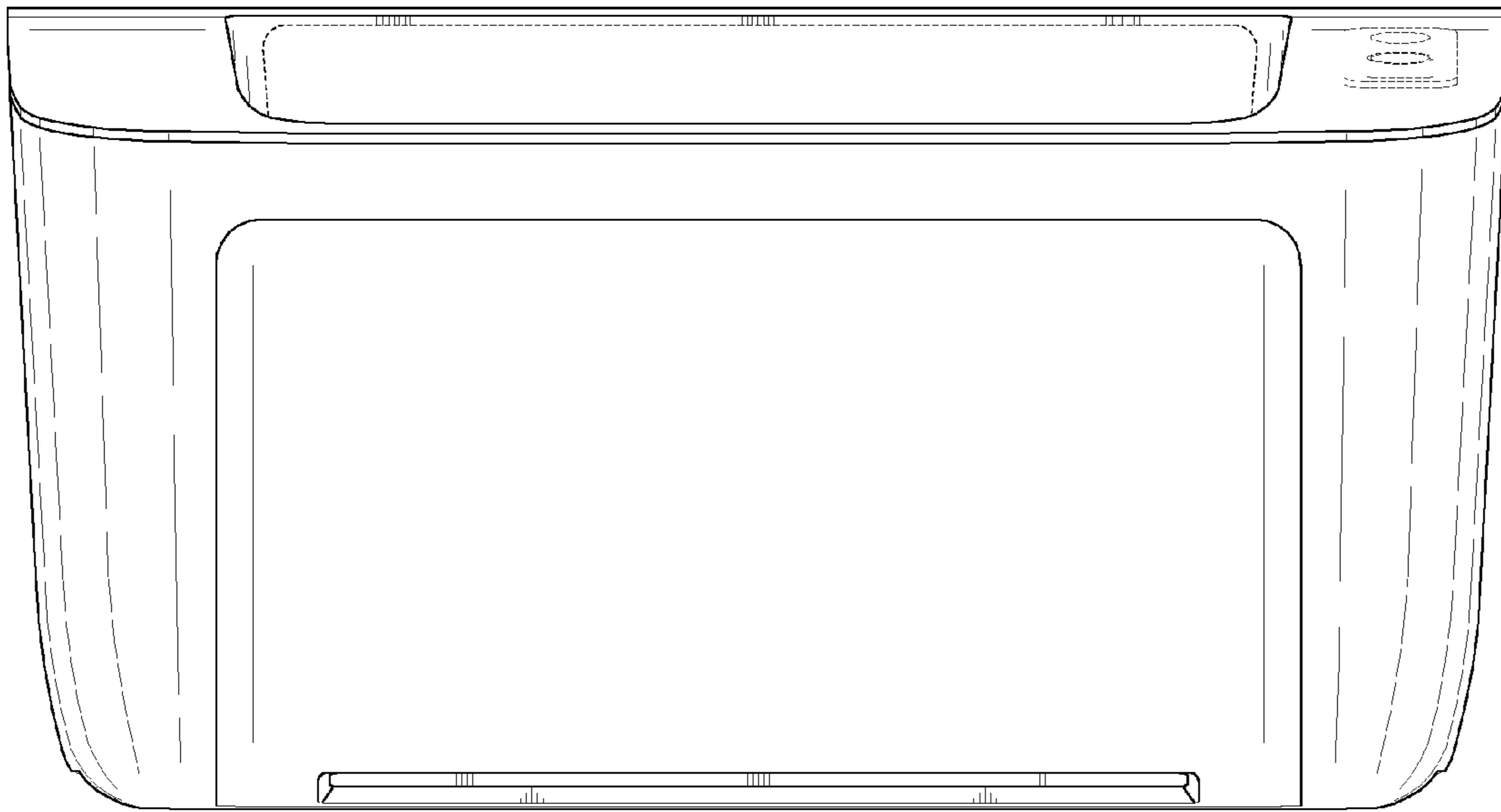


FIG.2

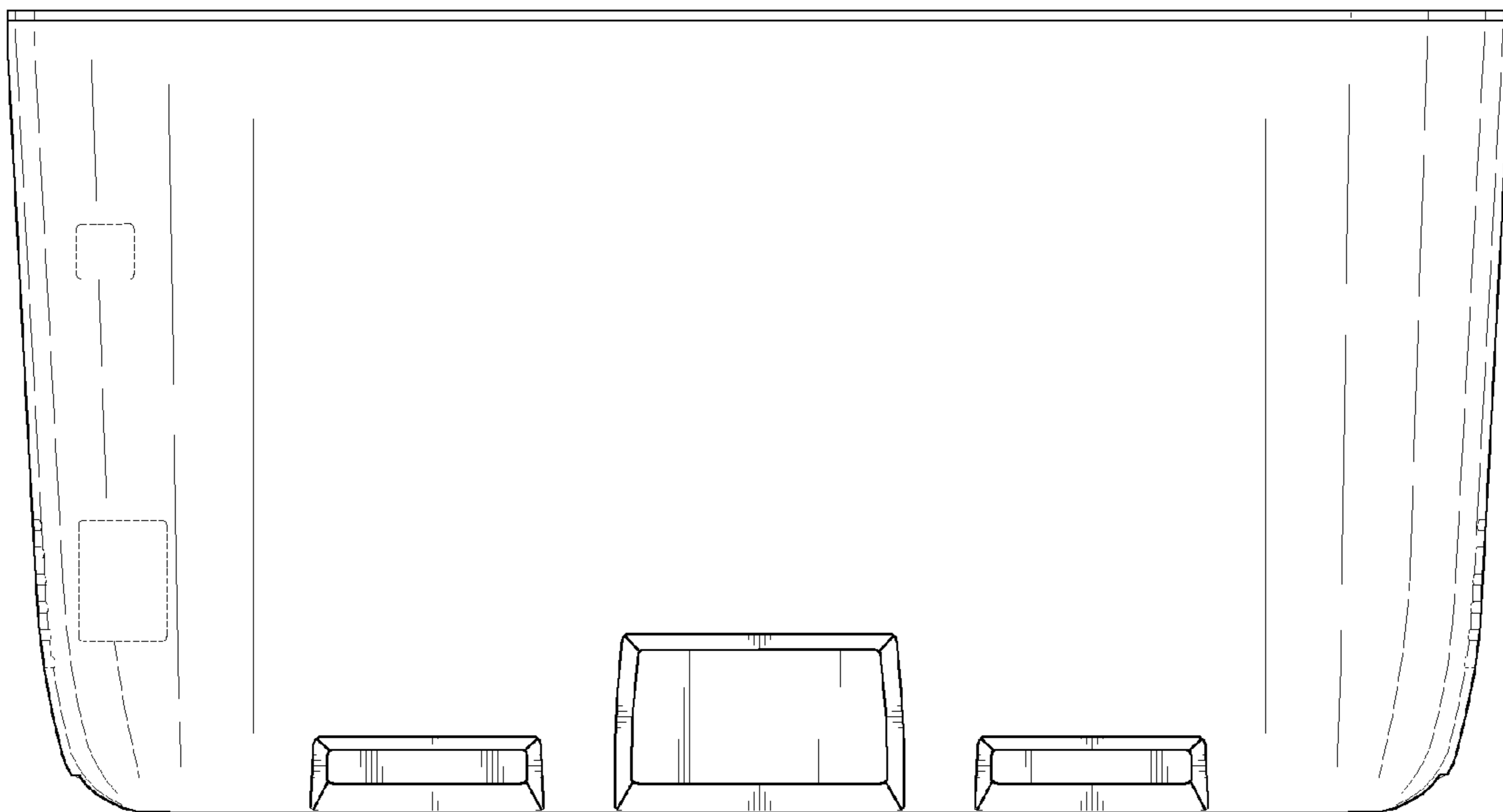


FIG.3

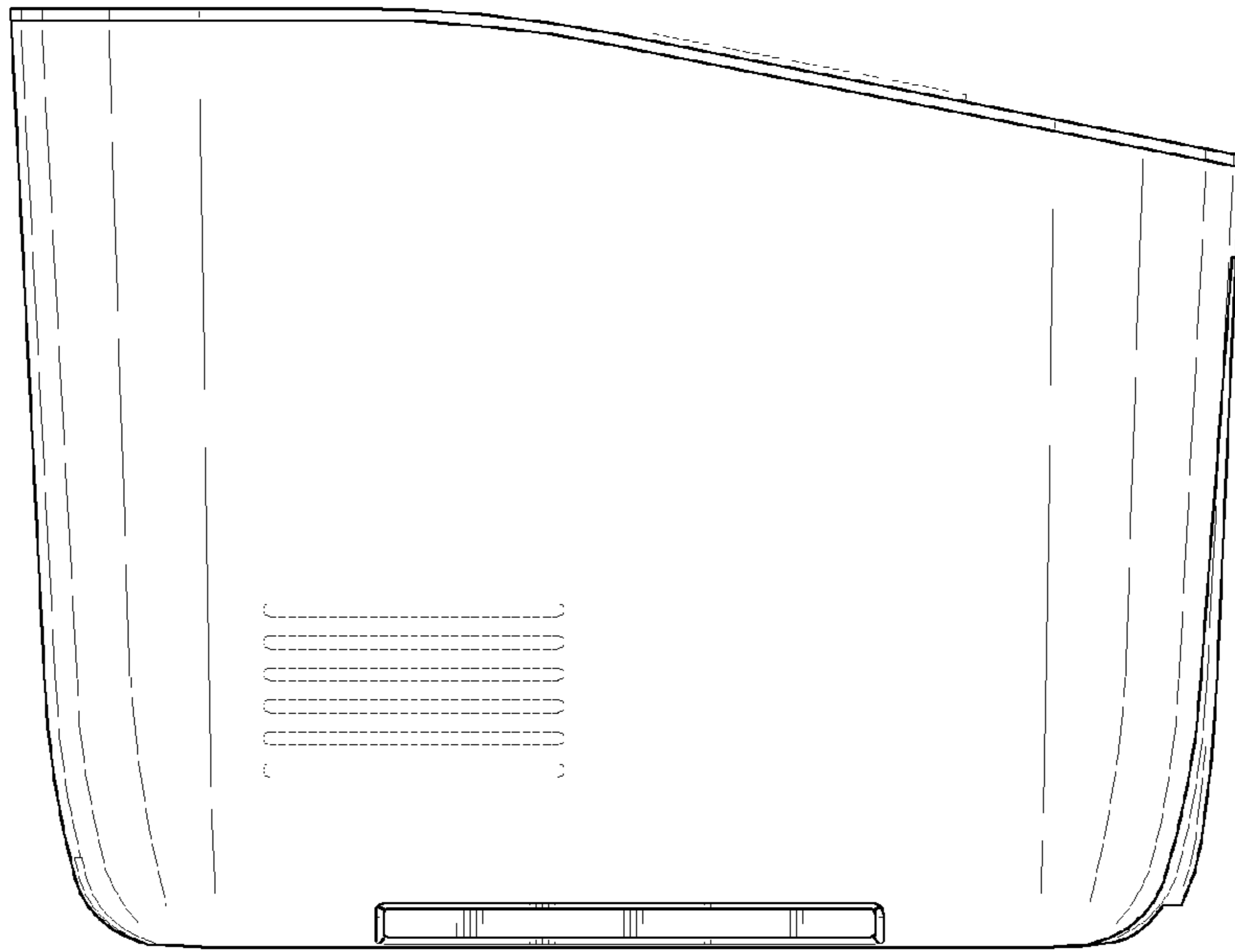


FIG. 4

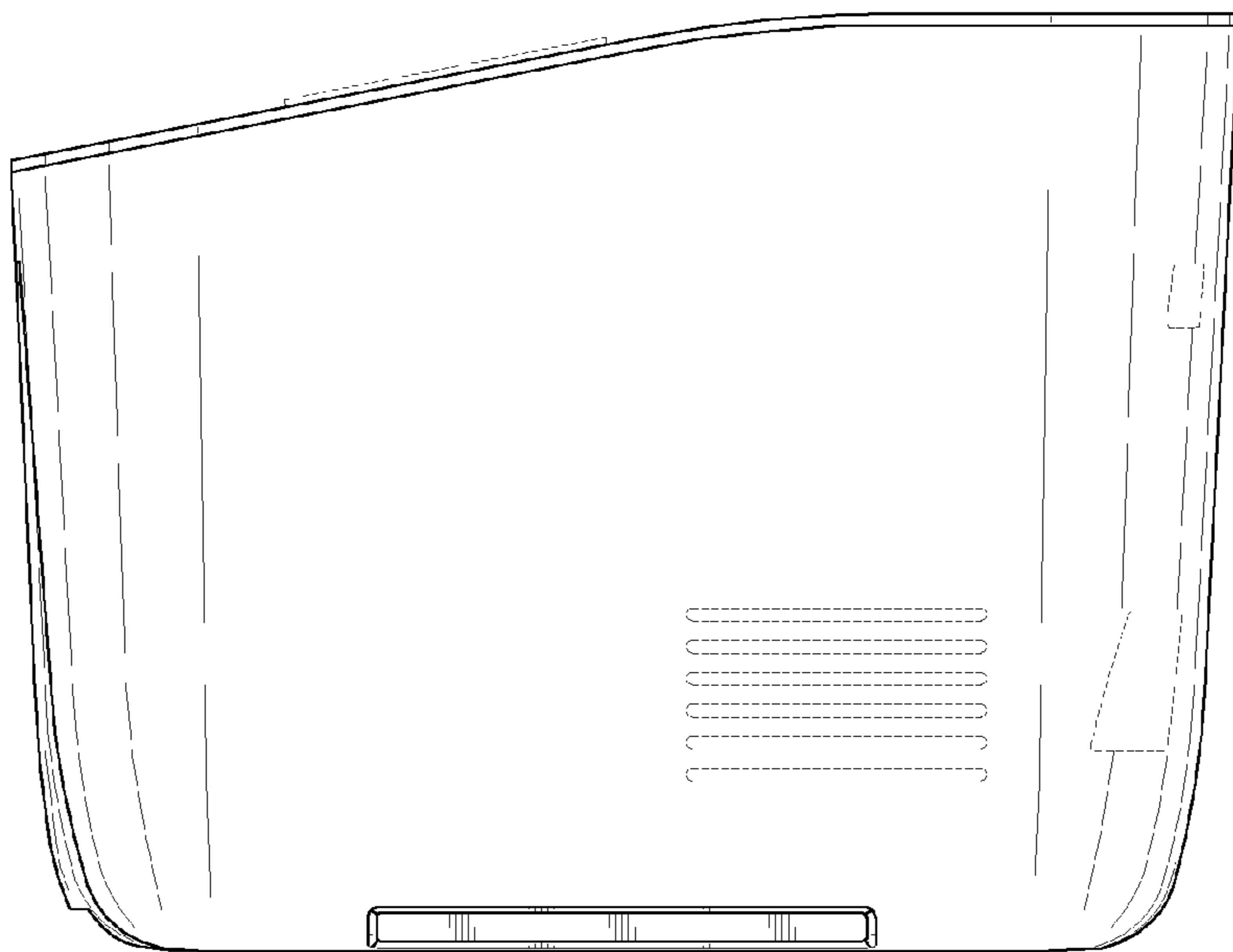


FIG. 5

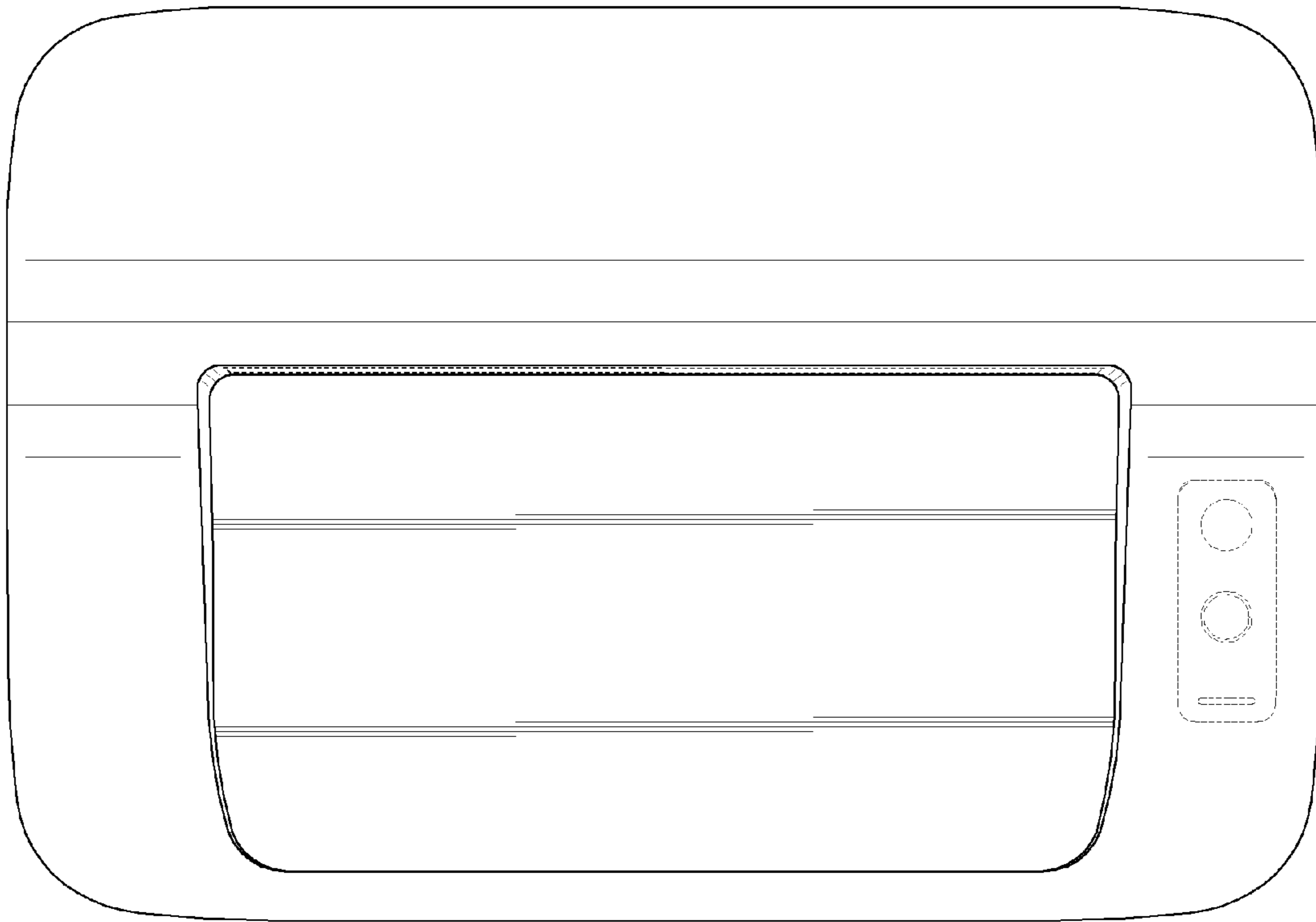


FIG.6

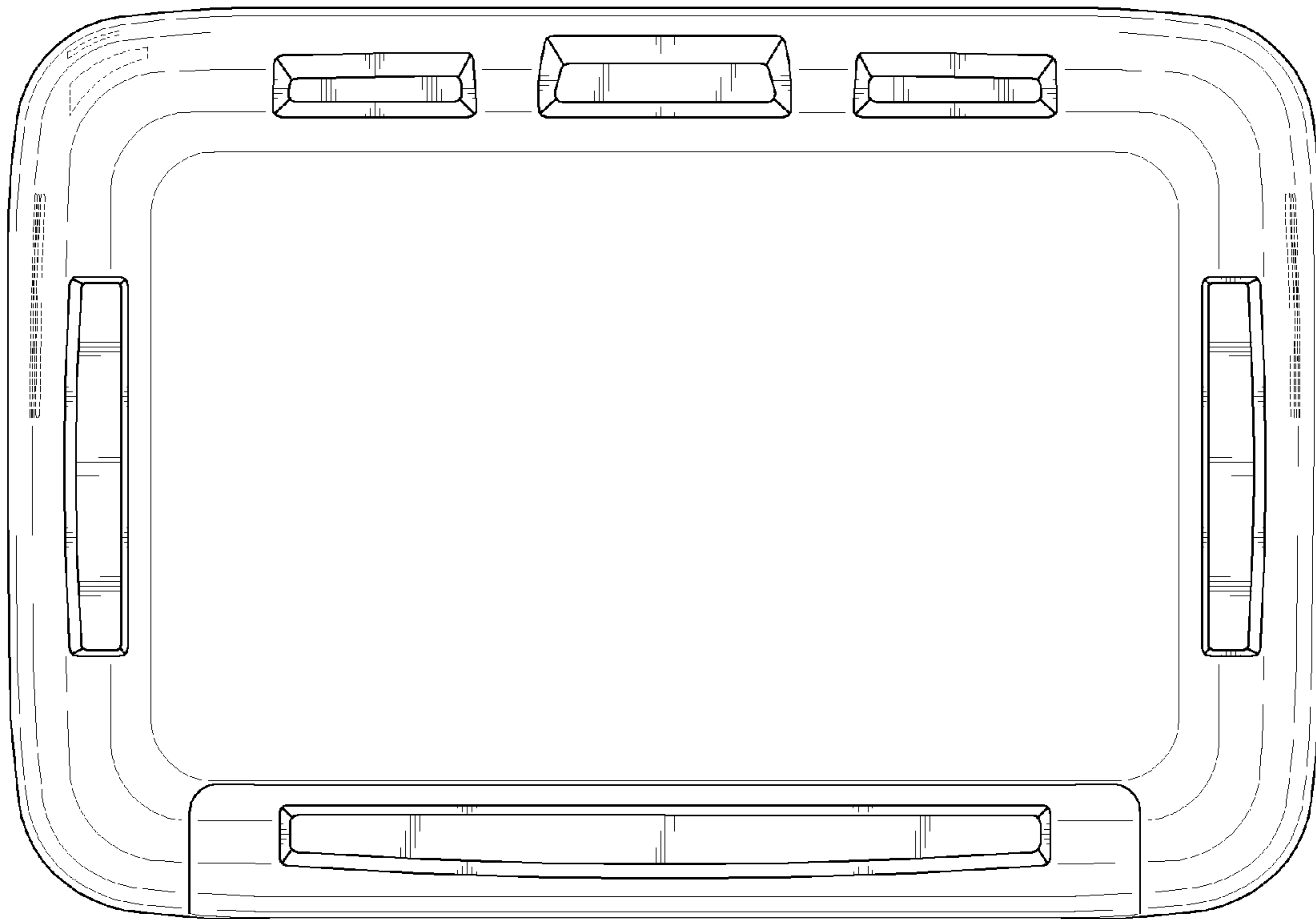


FIG.7