



US00D715852S

(12) **United States Design Patent**  
**So et al.**

(10) **Patent No.:** **US D715,852 S**  
(45) **Date of Patent:** **\*\* Oct. 21, 2014**

(54) **CASE FOR A PRINTER**  
(71) Applicants: **Kwang-Hyuck So**, Seoul (KR);  
**Seung-Wook Jeong**, Seoul (KR)  
(72) Inventors: **Kwang-Hyuck So**, Seoul (KR);  
**Seung-Wook Jeong**, Seoul (KR)  
(73) Assignee: **Samsung Electronics Co., Ltd.**,  
Suwon-si, Gyeonggi-do (KR)

D641,396 S 7/2011 Park et al.  
D647,132 S \* 10/2011 Kim et al. .... D18/55  
D685,412 S \* 7/2013 Jihoon et al. .... D18/50  
D693,873 S 11/2013 Fukasawa et al.

**OTHER PUBLICATIONS**

U.S. Appl. No. 29/456,708, Applicant: Min-Chul Kim et al., filed Jun. 3, 2013 entitled Case for a Printer.  
U.S. Appl. No. 29/456,704, Applicant: Min-Chul Kim et al., filed Jun. 3, 2013 entitled Case for a Printer.

(\*\*) Term: **14 Years**  
(21) Appl. No.: **29/456,706**  
(22) Filed: **Jun. 3, 2013**

\* cited by examiner

*Primary Examiner* — Cathy A MacCormac  
(74) *Attorney, Agent, or Firm* — Flynn, Thiel, Boutell & Tanis, P.C.

(30) **Foreign Application Priority Data**  
Dec. 5, 2012 (KR) ..... 30-2012-0058321  
(51) **LOC (10) Cl.** ..... **18-02**  
(52) **U.S. Cl.**  
USPC ..... **D18/50**  
(58) **Field of Classification Search**  
USPC ..... D18/36-37, 50, 54, 54.1, 55;  
D14/420-425, 462-470; 400/613,  
400/613.1-613.4, 690.1-690.4, 691-694  
See application file for complete search history.

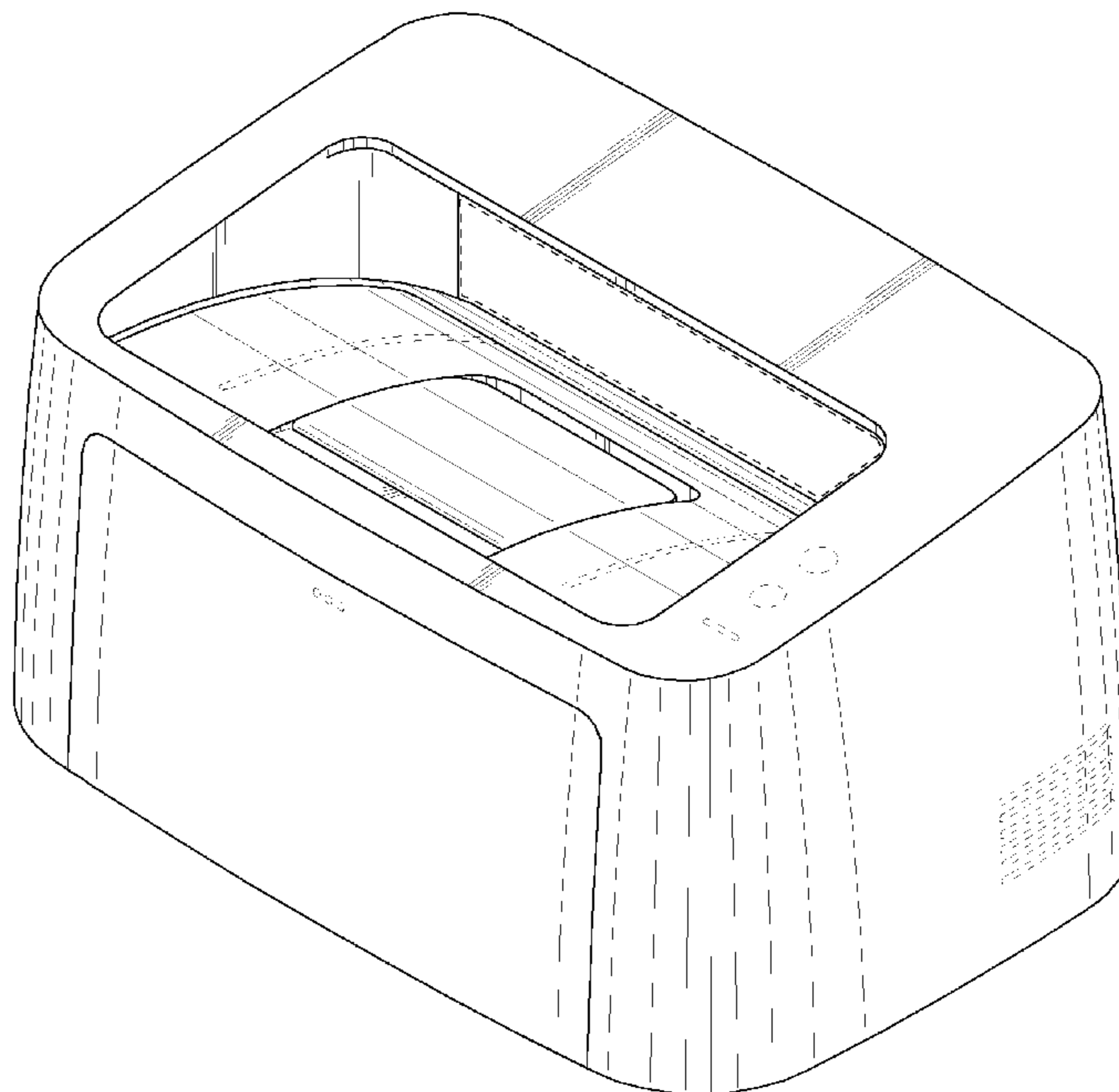
(57) **CLAIM**  
The ornamental design for a case for a printer, as shown and described.

(56) **References Cited**  
**U.S. PATENT DOCUMENTS**  
D633,139 S 2/2011 Park et al.  
D639,847 S \* 6/2011 Nakata et al. .... D18/50  
D641,038 S 7/2011 Park et al.  
D641,395 S 7/2011 Park et al.

**DESCRIPTION**

FIG. 1 is a top front perspective view of a case for a printer showing our new design;  
FIG. 2 is a front view thereof;  
FIG. 3 is a rear view thereof;  
FIG. 4 is a left side view thereof;  
FIG. 5 is a right side view thereof;  
FIG. 6 is a top view thereof;  
FIG. 7 is a bottom view thereof; and,  
FIG. 8 is a top, front exploded perspective view thereof.  
The broken lines illustrating portions of the case for a printer are for environmental purposes only and form no part of the claimed design.

**1 Claim, 5 Drawing Sheets**



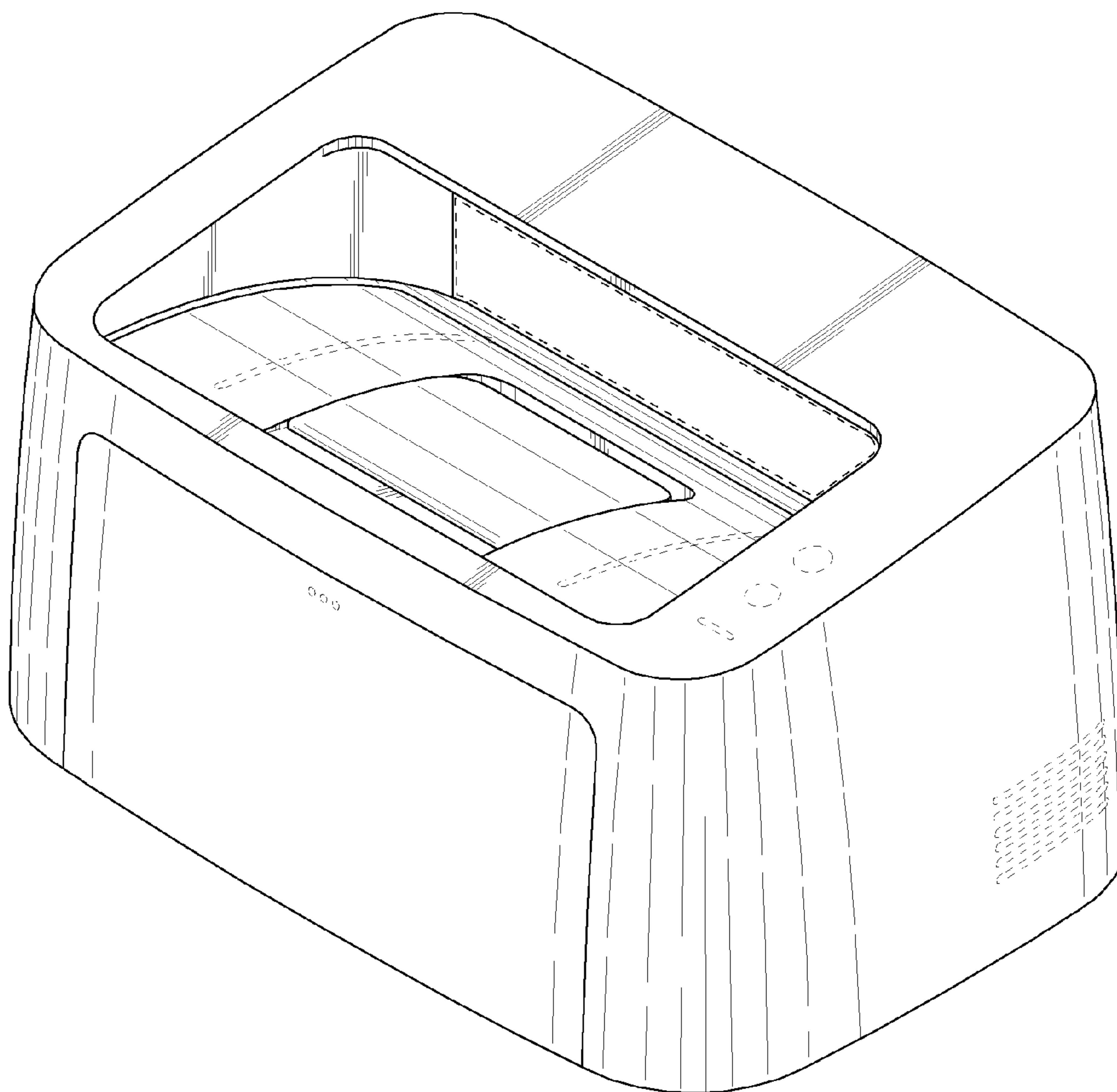


FIG.1

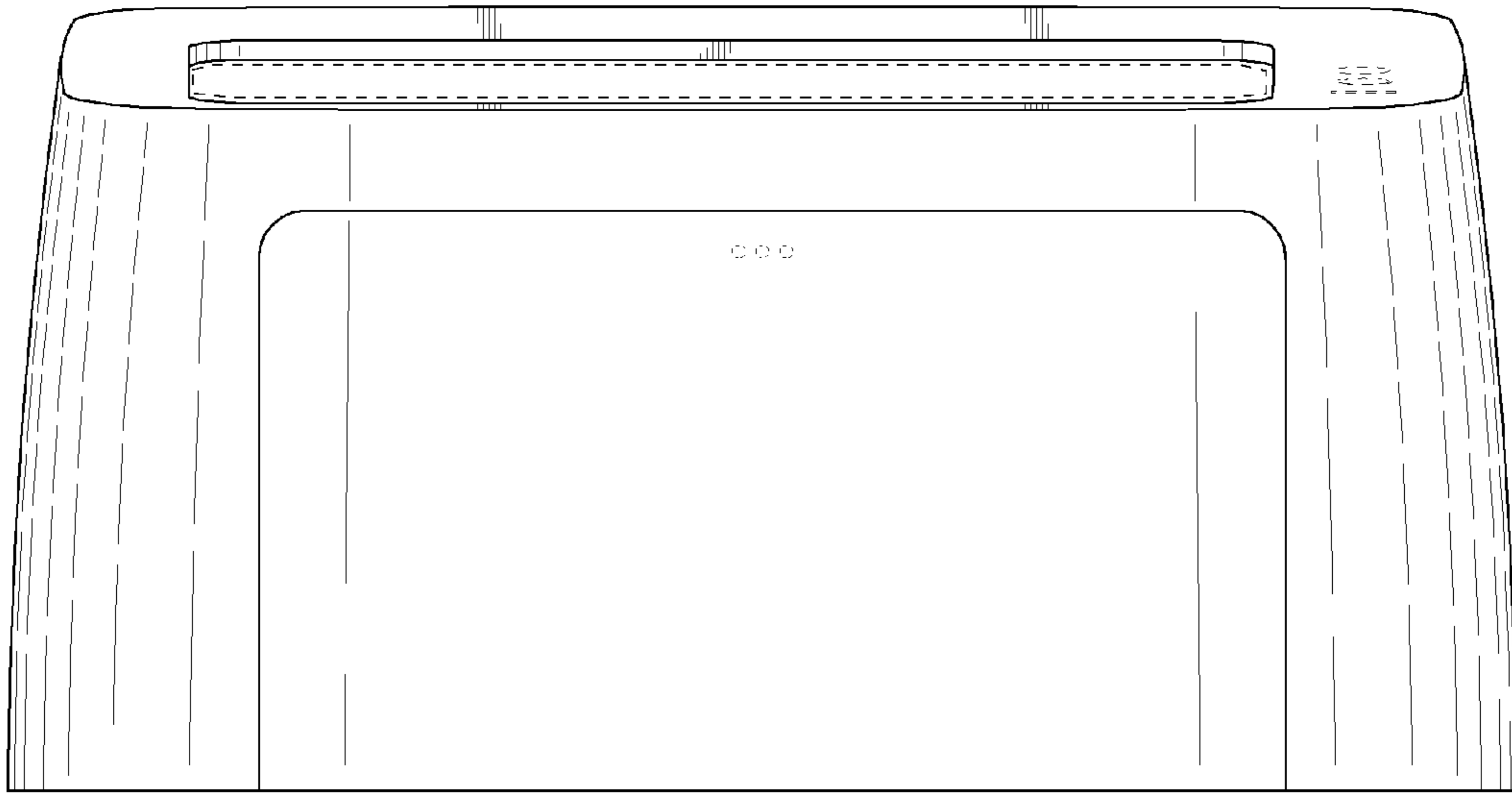


FIG. 2

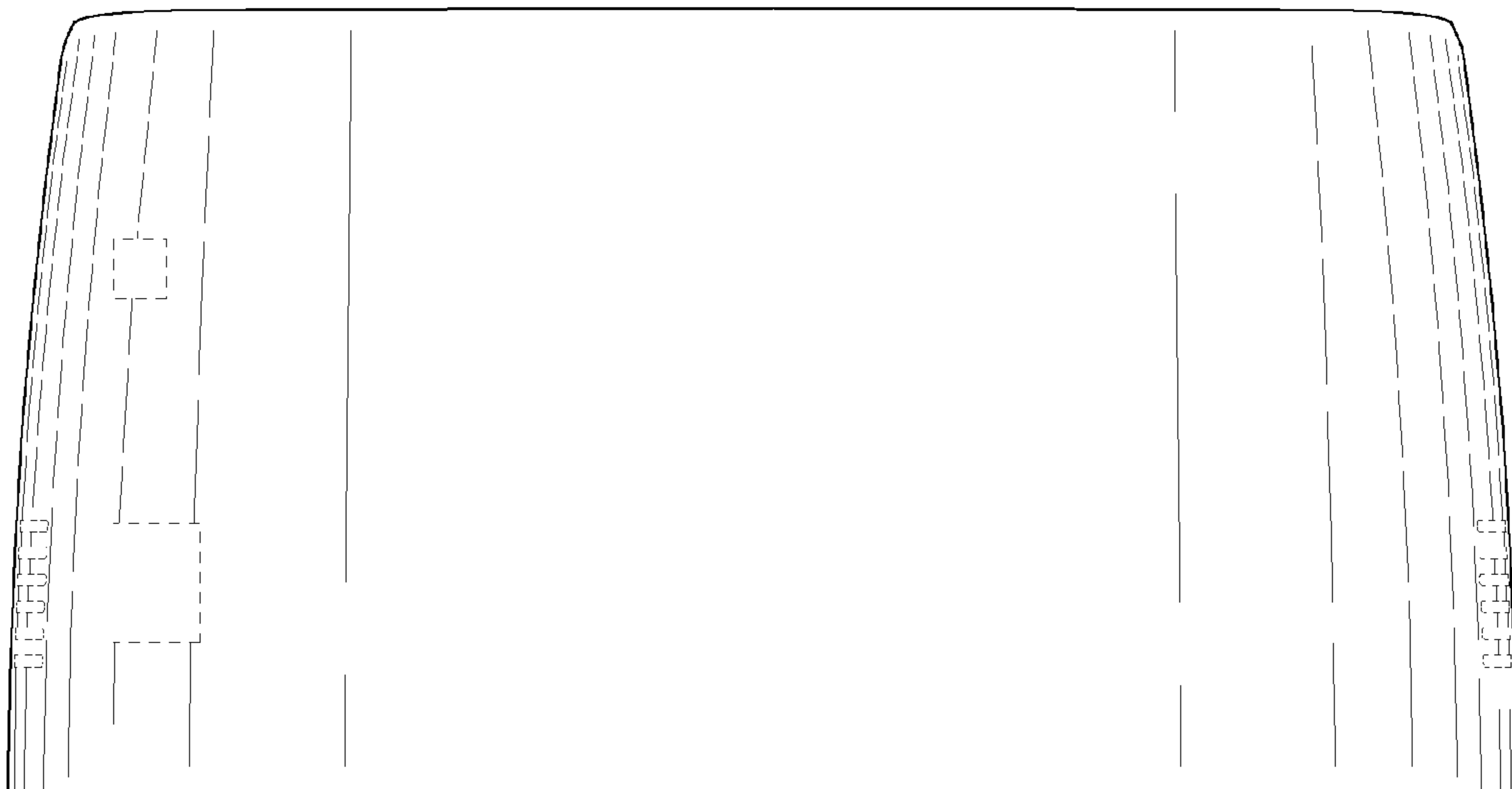


FIG. 3

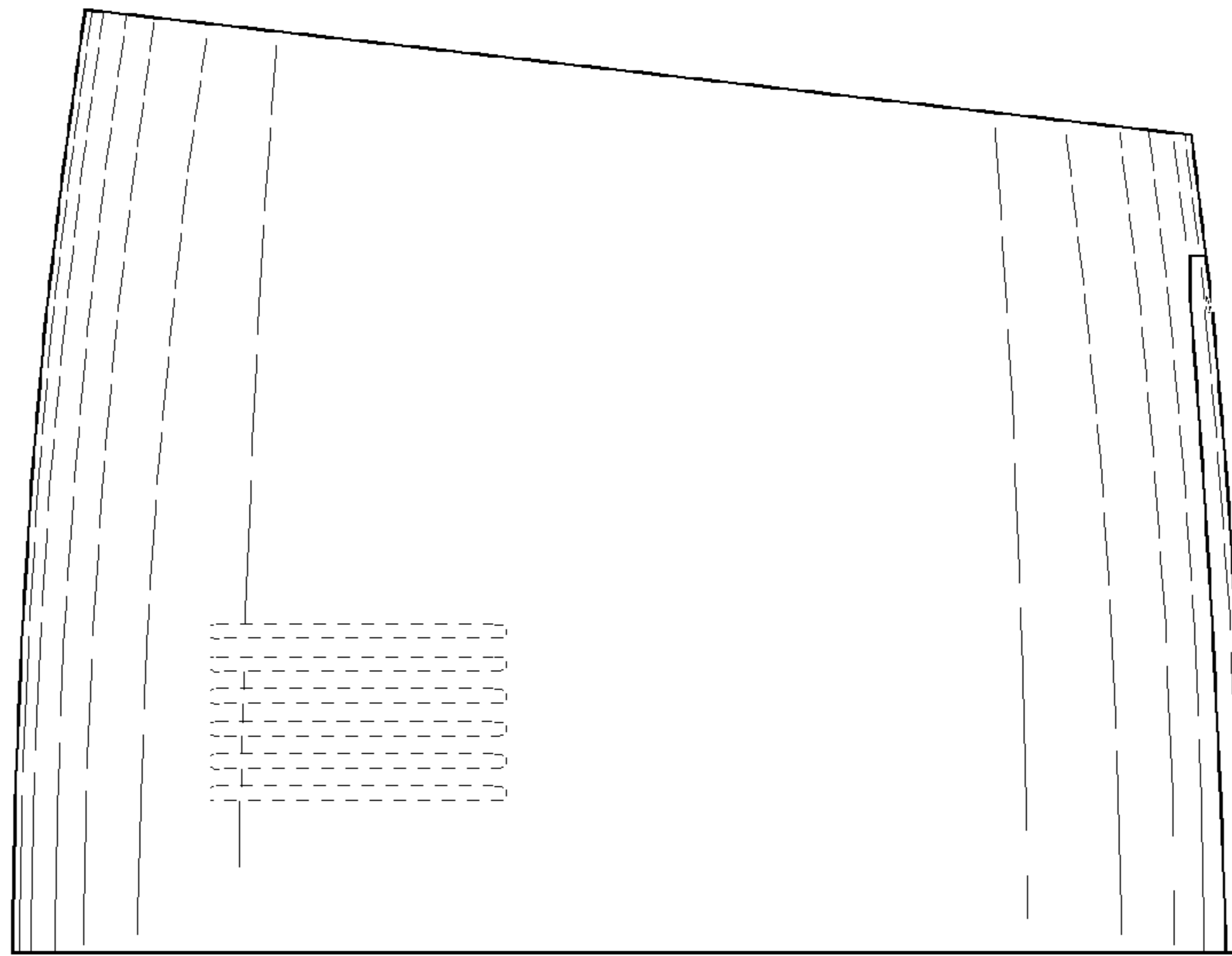


FIG. 4

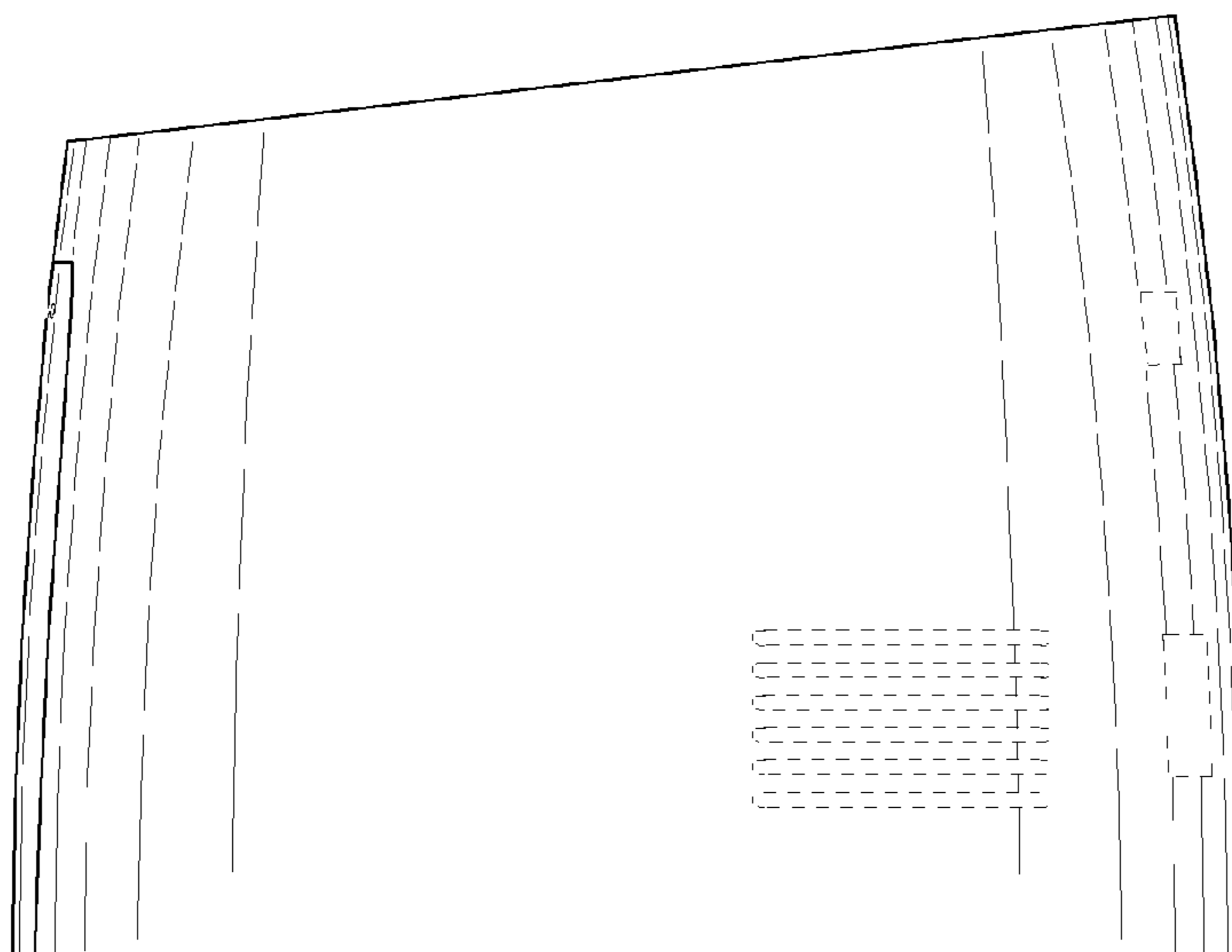


FIG. 5

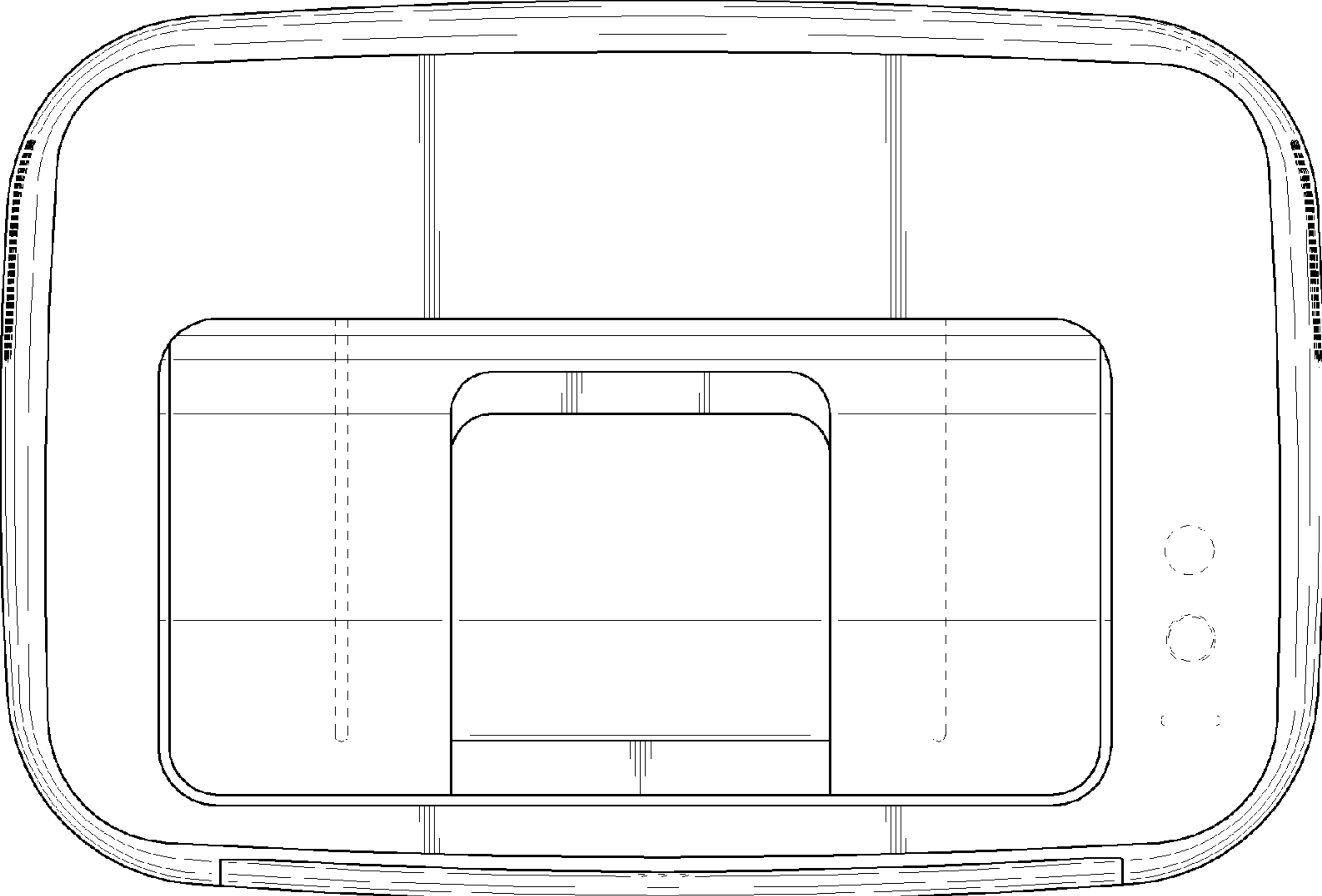


FIG.6

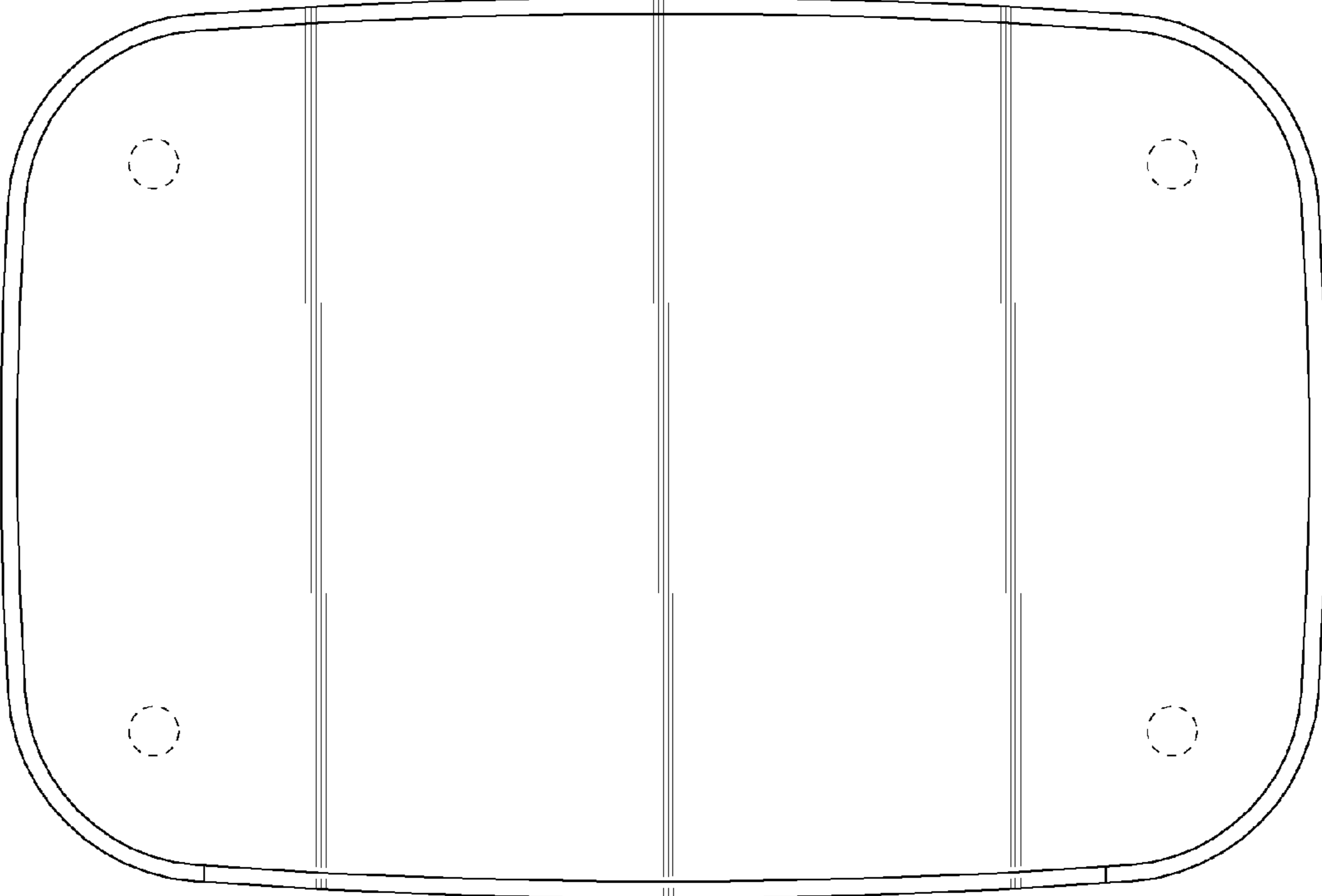


FIG.7

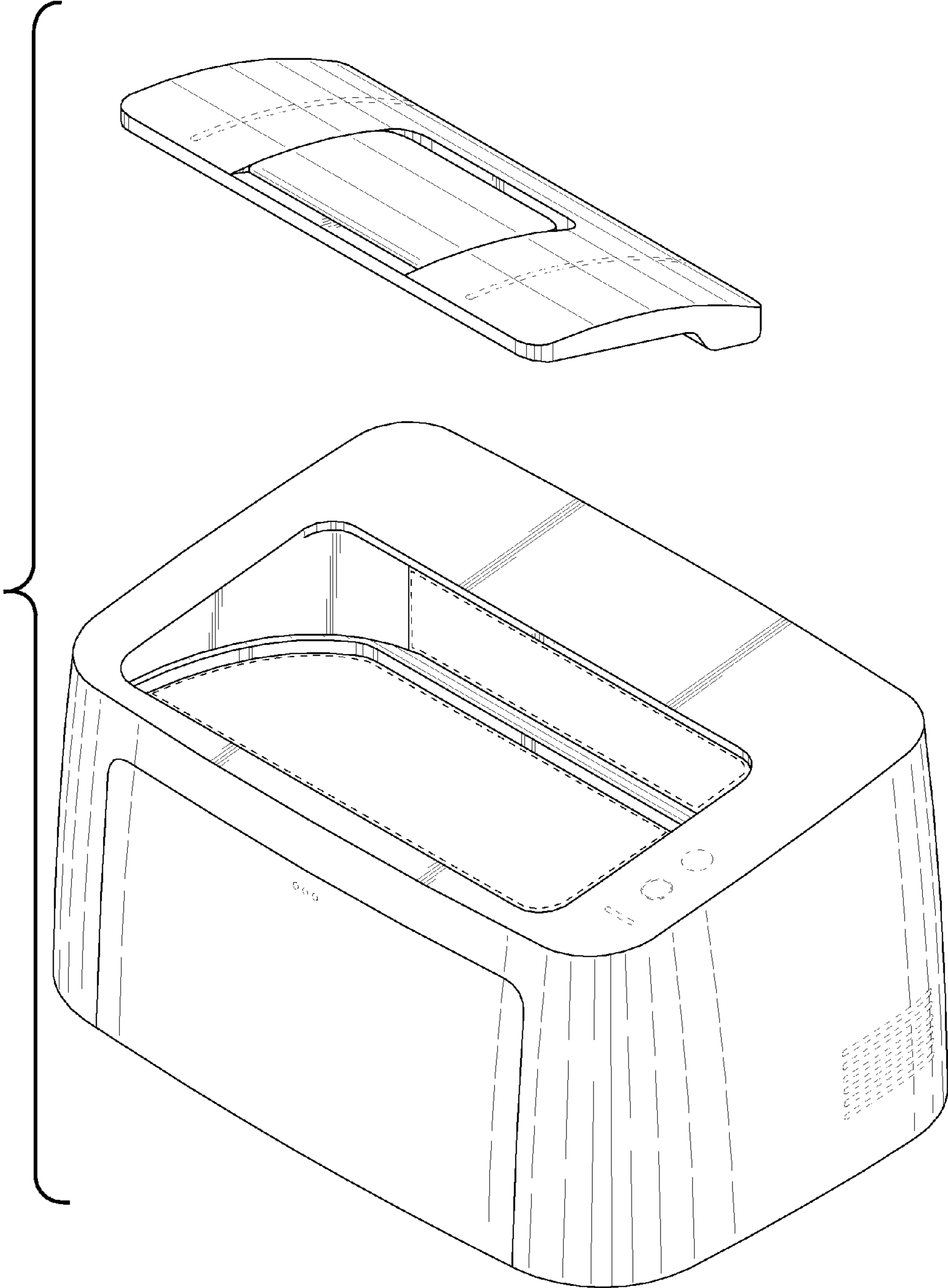


FIG.8