



US00D715850S

(12) **United States Design Patent**
Lippert

(10) **Patent No.:** **US D715,850 S**

(45) **Date of Patent:** **** Oct. 21, 2014**

(54) **HOLDER FOR STRINGED INSTRUMENTS**

(75) Inventor: **Helmut Lippert**, Breitenbrunn (DE)

(73) Assignee: **Koenig & Meyer GmbH & Co. KG**,
Wertheim (DE)

(**) Term: **14 Years**

(21) Appl. No.: **29/394,297**

(22) Filed: **Jun. 15, 2011**

(30) **Foreign Application Priority Data**

Dec. 17, 2010 (EM) 001 795 279

(51) **LOC (10) Cl.** **17-03**

(52) **U.S. Cl.**
USPC **D17/20**

(58) **Field of Classification Search**

USPC D17/20, 99; 84/327, 329; D8/367, 370,
D8/373; 248/443, 153, 175, 176.1, 176.6,
248/167, 85; 984/257; 211/22, 41.4, 85.6,
211/181.1; D6/315, 317, 320, 328, 552,
D6/554, 566

See application file for complete search history.

(56) **References Cited**

U.S. PATENT DOCUMENTS

D281,576 S * 12/1985 Akers D8/373
5,372,346 A * 12/1994 Upchurch et al. 248/304

(Continued)

Primary Examiner — Ian Simmons

Assistant Examiner — Carissa C Fitts

(74) *Attorney, Agent, or Firm* — Greenblum & Bernstein,
P.L.C.

(57) **CLAIM**

I claim the ornamental design for a holder for stringed instruments, as shown and described.

DESCRIPTION

FIG. 1 is a front perspective view of a first embodiment of a holder for stringed instruments;

FIG. 2 is a top view of the embodiment depicted in FIG. 1;
FIG. 3 is a left side view of the embodiment depicted in FIG. 1;

FIG. 4 is a front view of the embodiment depicted in FIG. 1;
FIG. 5 is a right side view of the embodiment depicted in FIG. 1;

FIG. 6 is a bottom view of the embodiment depicted in FIG. 1;

FIG. 7 is a rear view of the embodiment depicted in FIG. 1;
FIG. 8 is a front perspective view of a second embodiment of a holder for stringed instruments;

FIG. 9 is a bottom view of the embodiment depicted in FIG. 8;

FIG. 10 is a left side view of the embodiment depicted in FIG. 8;

FIG. 11 is a front view of the embodiment depicted in FIG. 8;

FIG. 12 is a right side view of the embodiment depicted in FIG. 8;

FIG. 13 is a top view of the embodiment depicted in FIG. 8;

FIG. 14 is a rear view of the embodiment depicted in FIG. 8;

FIG. 15 is a front perspective view of a third embodiment of a holder for stringed instruments;

FIG. 16 is a top view of the embodiment depicted in FIG. 15;

FIG. 17 is a left side view of the embodiment depicted in FIG. 15;

FIG. 18 is a front view of the embodiment depicted in FIG. 15;

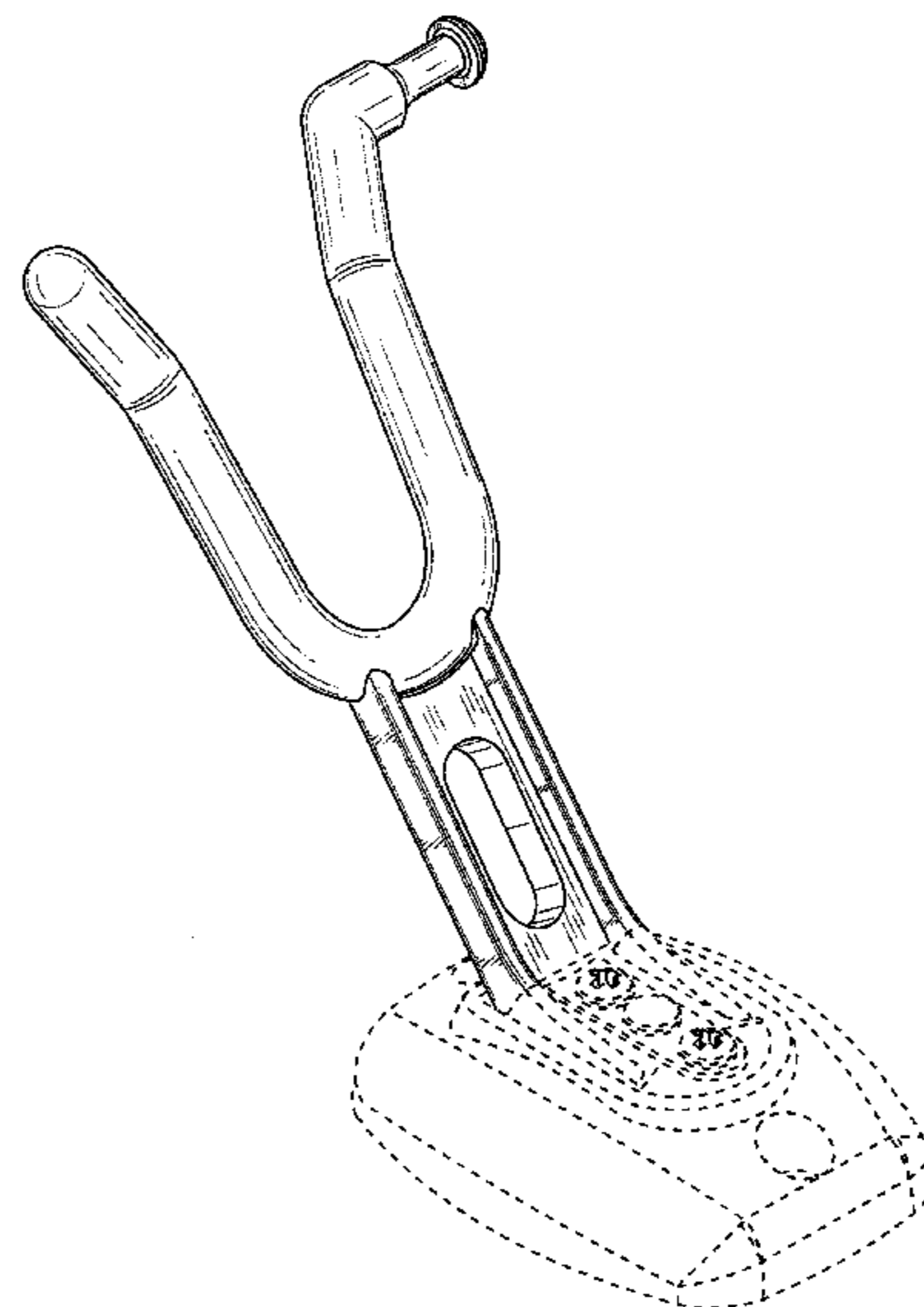
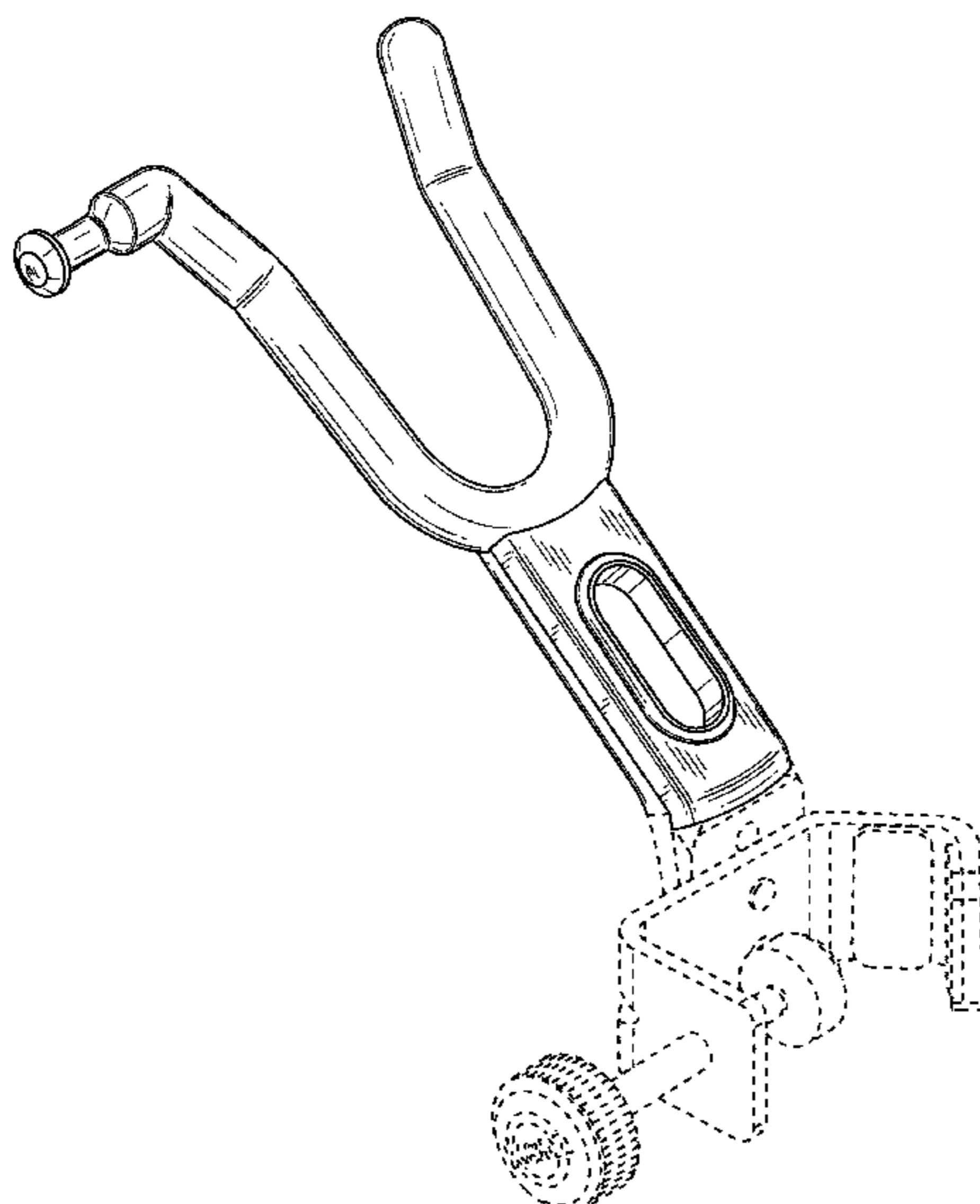
FIG. 19 is a right side view of the embodiment depicted in FIG. 15;

FIG. 20 is a bottom view of the embodiment depicted in FIG. 15; and,

FIG. 21 is a rear view of the embodiment depicted in FIG. 15.

The broken line showing is for environmental purposes only and forms no part of the claimed design.

1 Claim, 21 Drawing Sheets



(56)

References Cited

U.S. PATENT DOCUMENTS

5,375,497	A *	12/1994	Pirchio et al.	84/327	6,982,373	B1 *	1/2006	Yu	84/327
5,454,473	A *	10/1995	Hennessey	211/85.6	7,074,993	B1 *	7/2006	Hsieh	84/327
5,852,250	A *	12/1998	Cha	84/327	7,105,732	B1 *	9/2006	Hsieh	84/327
6,036,159	A *	3/2000	Yu	248/443	D557,329	S *	12/2007	Lippert	D17/20
6,121,527	A *	9/2000	Hamm	84/327	D560,249	S *	1/2008	Samu	D17/20
6,127,612	A *	10/2000	Yu	84/327	D561,236	S *	2/2008	Muir et al.	D17/20
6,220,459	B1 *	4/2001	Runyon	211/85.6	7,470,843	B2 *	12/2008	Hsieh	84/329
6,576,822	B1 *	6/2003	Grace	84/327	7,579,537	B2 *	8/2009	Lippert et al.	84/327
D481,752	S *	11/2003	Pittman	D17/20	D644,053	S *	8/2011	Newcomer	D6/566
6,800,798	B2 *	10/2004	Hsieh	84/327	8,063,291	B2 *	11/2011	Crowder et al.	84/327
6,881,884	B2 *	4/2005	Hsieh	84/327	8,247,674	B2 *	8/2012	Corts et al.	84/327
					2008/0168883	A1 *	7/2008	Chen	84/327
					2009/0213598	A1 *	8/2009	Terry	362/419
					2009/0242499	A1 *	10/2009	Rosselli	211/85.6

* cited by examiner

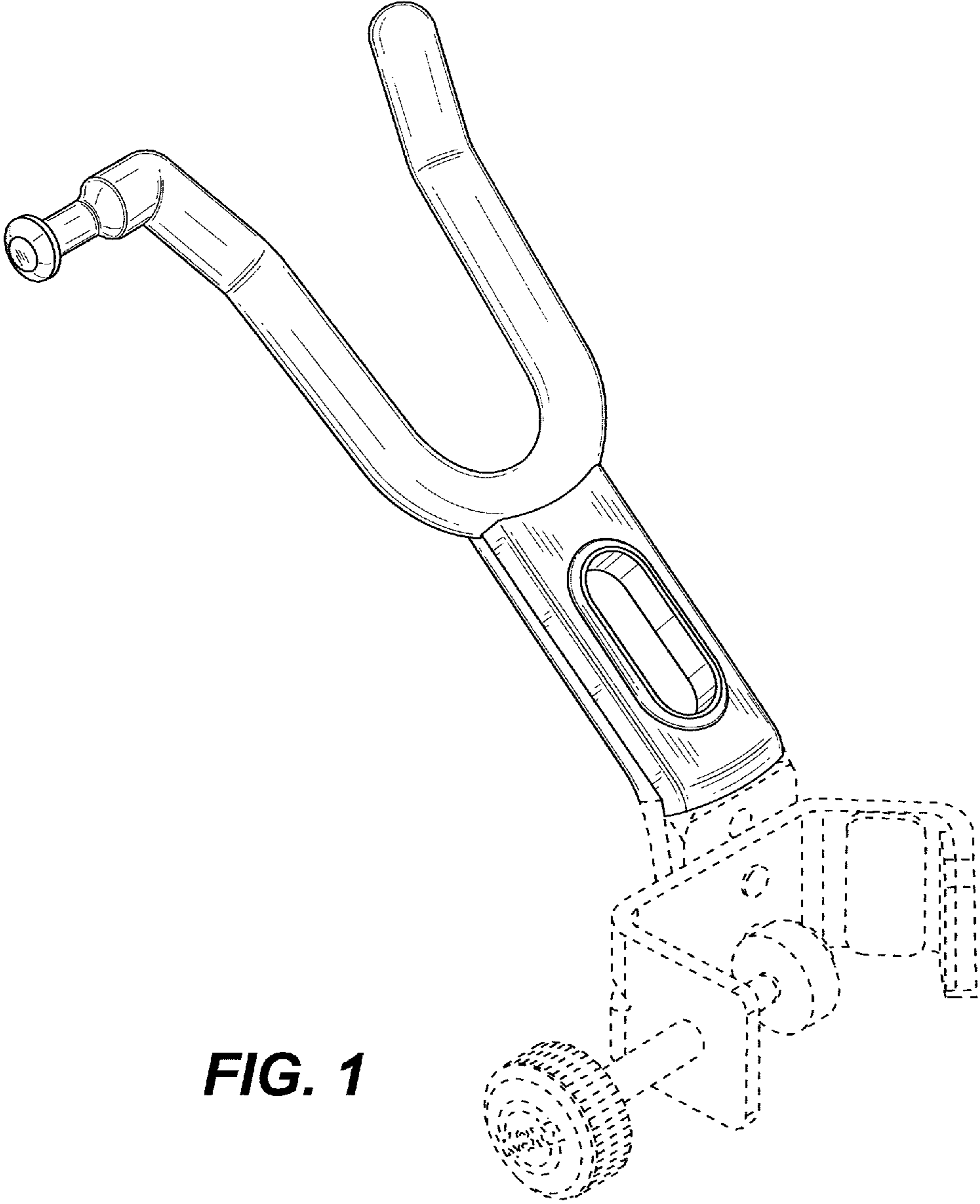


FIG. 1

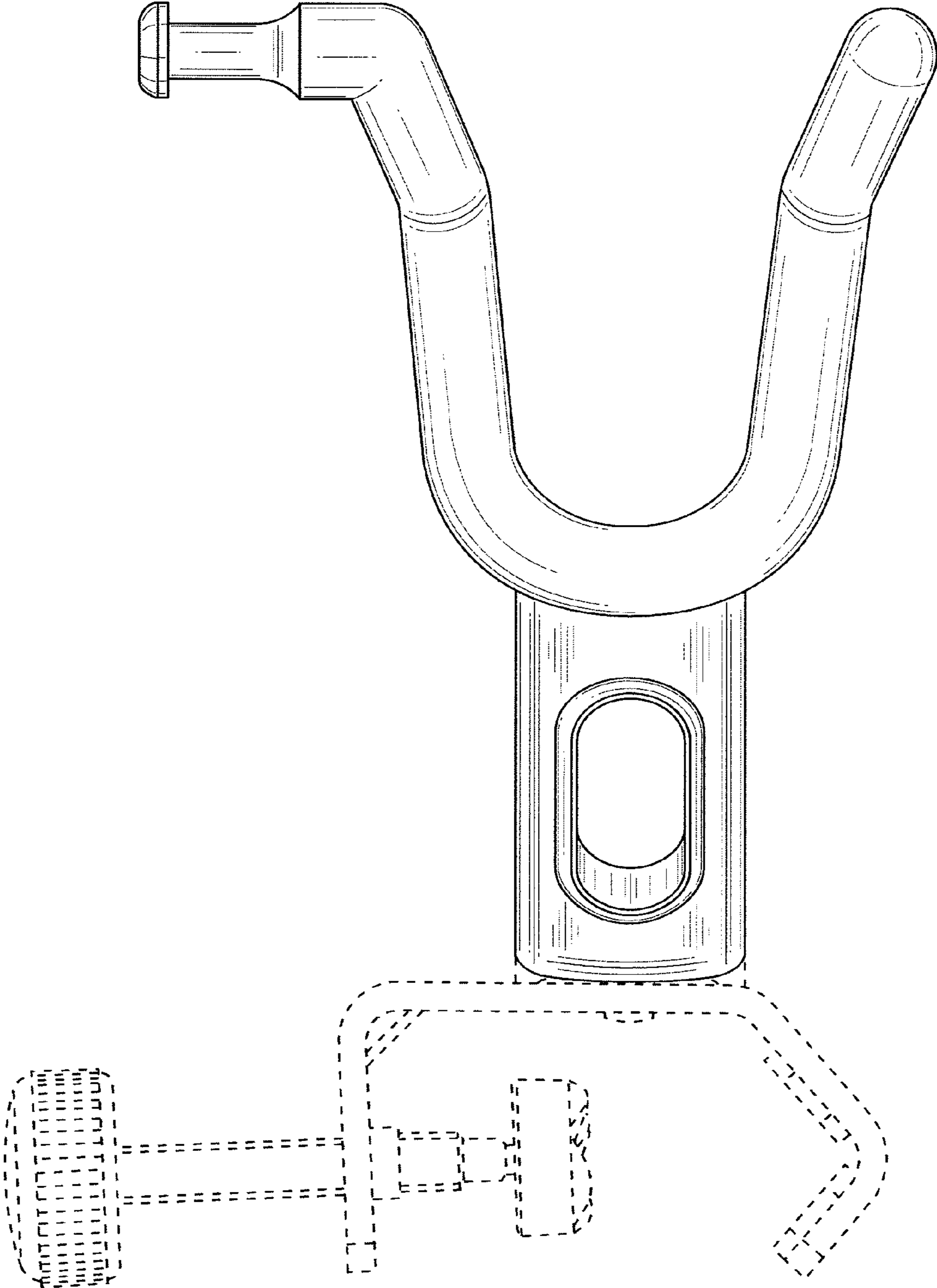


FIG. 2

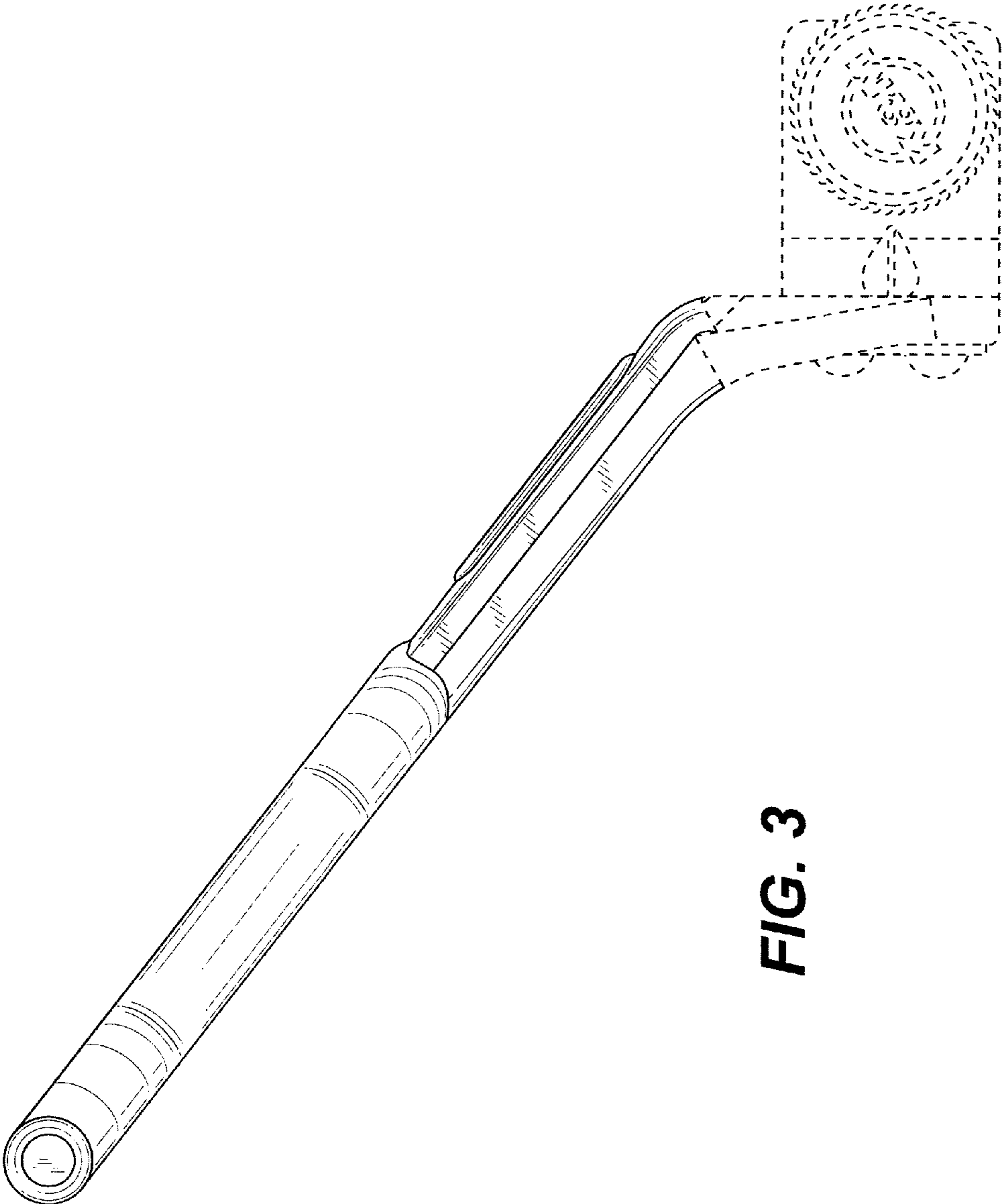


FIG. 3

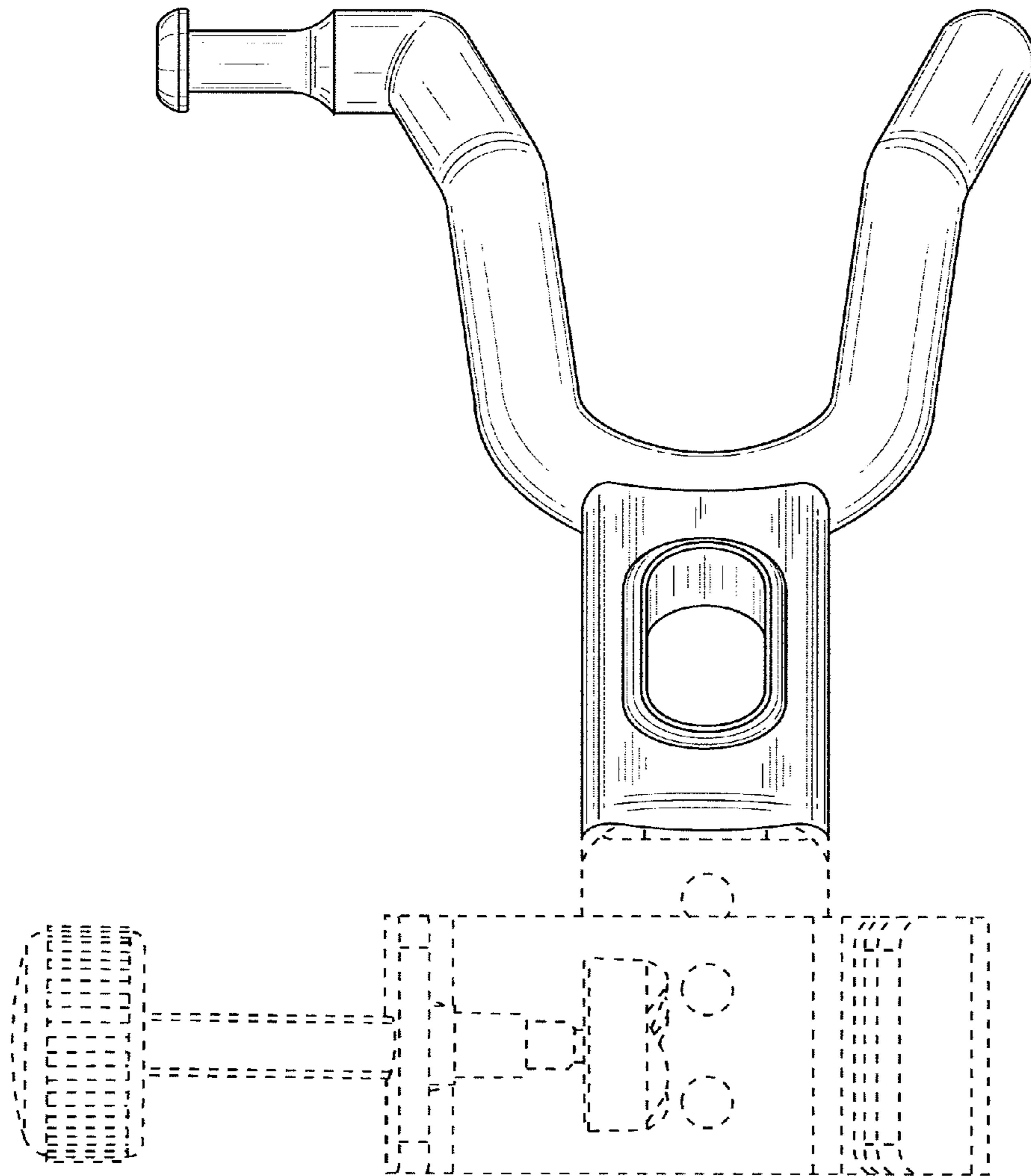


FIG. 4

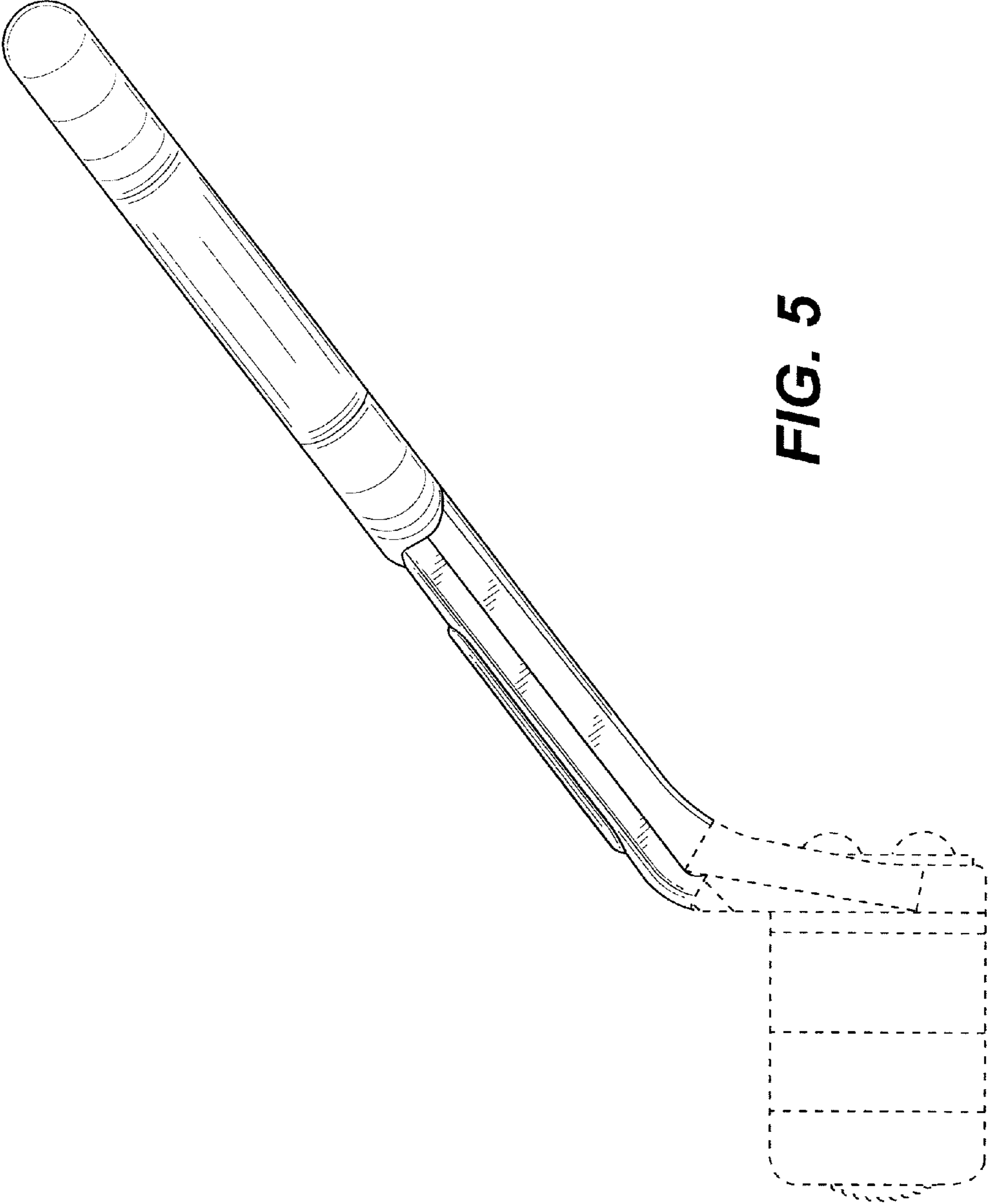


FIG. 5

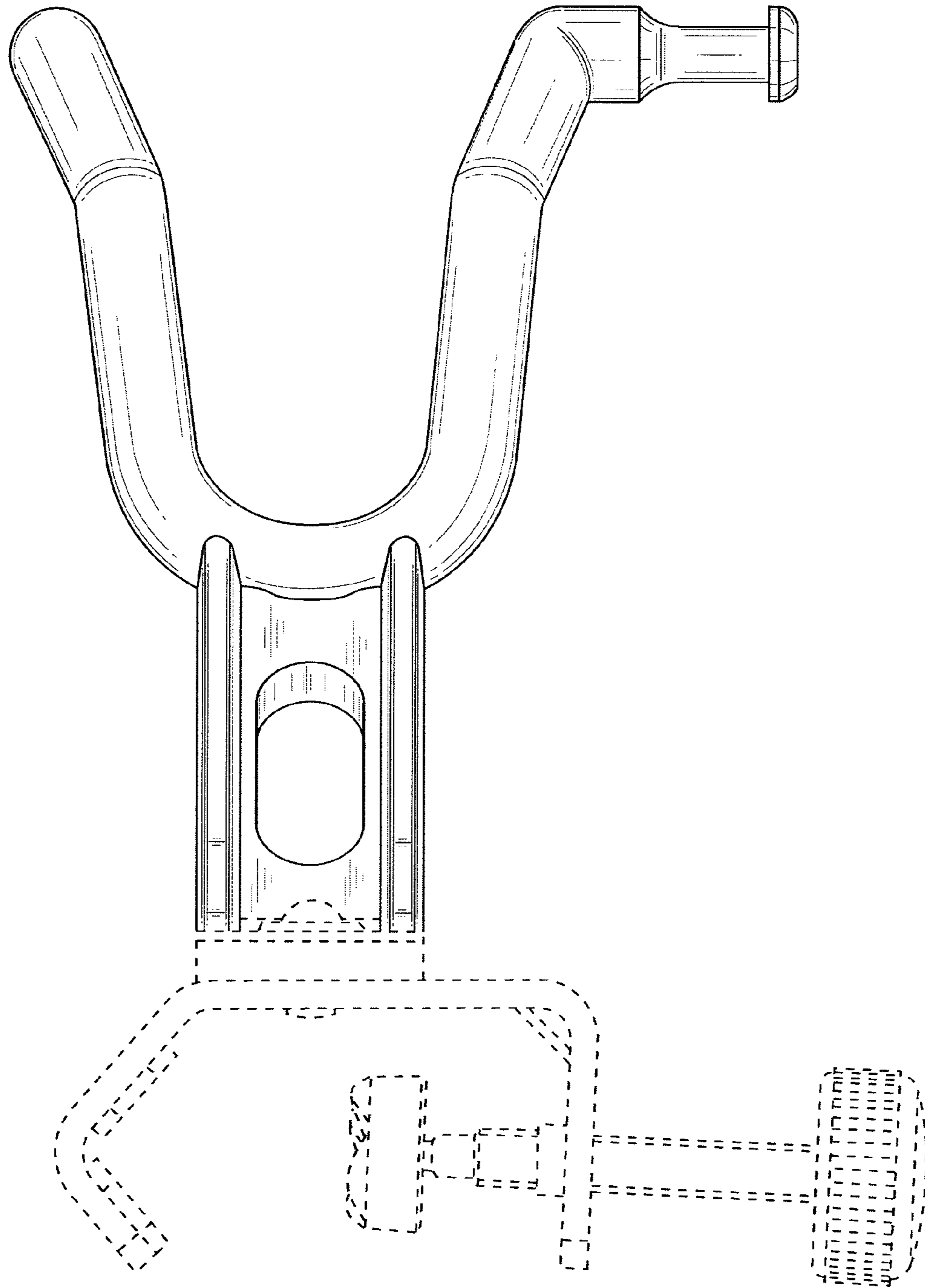


FIG. 6

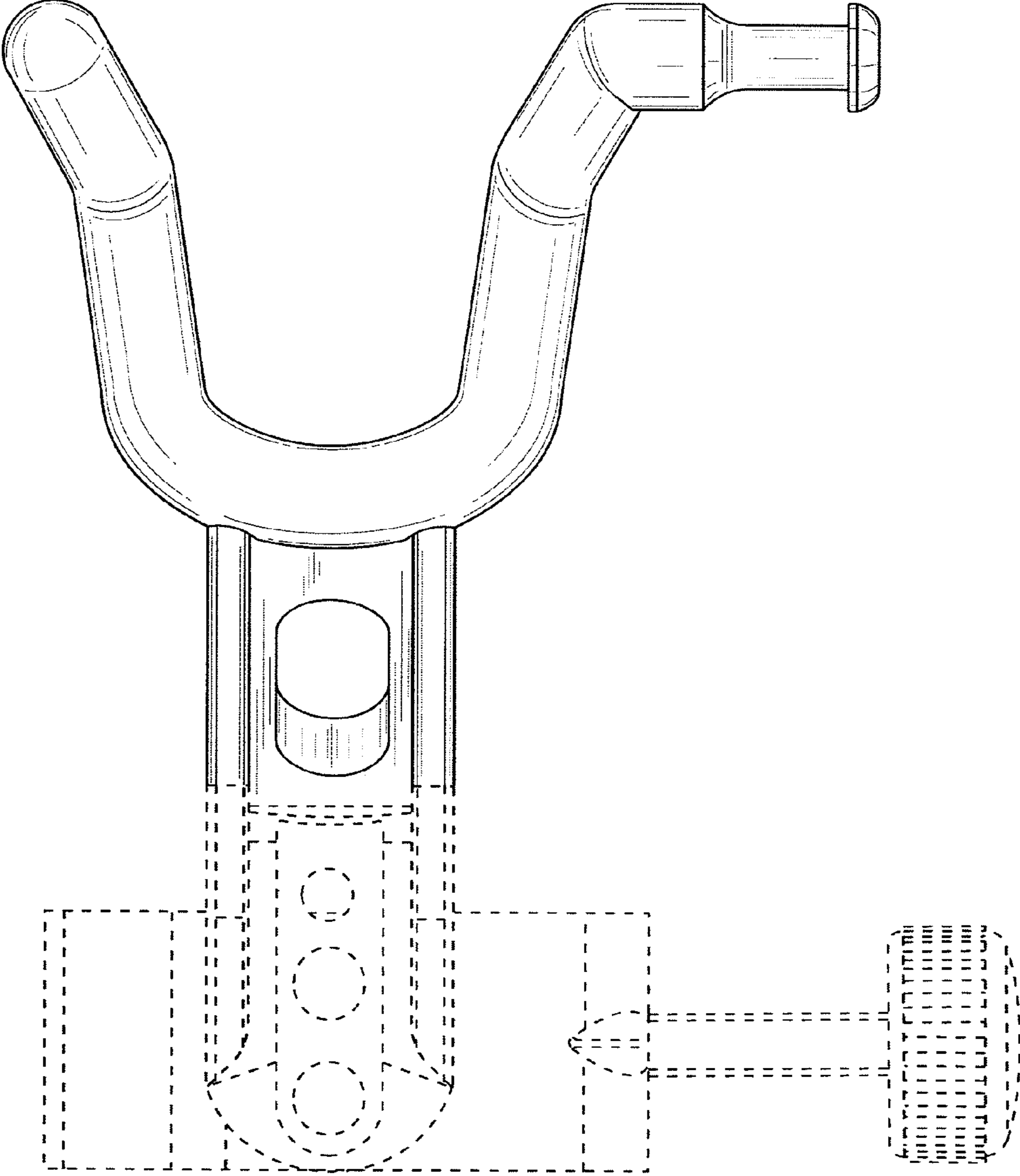


FIG. 7

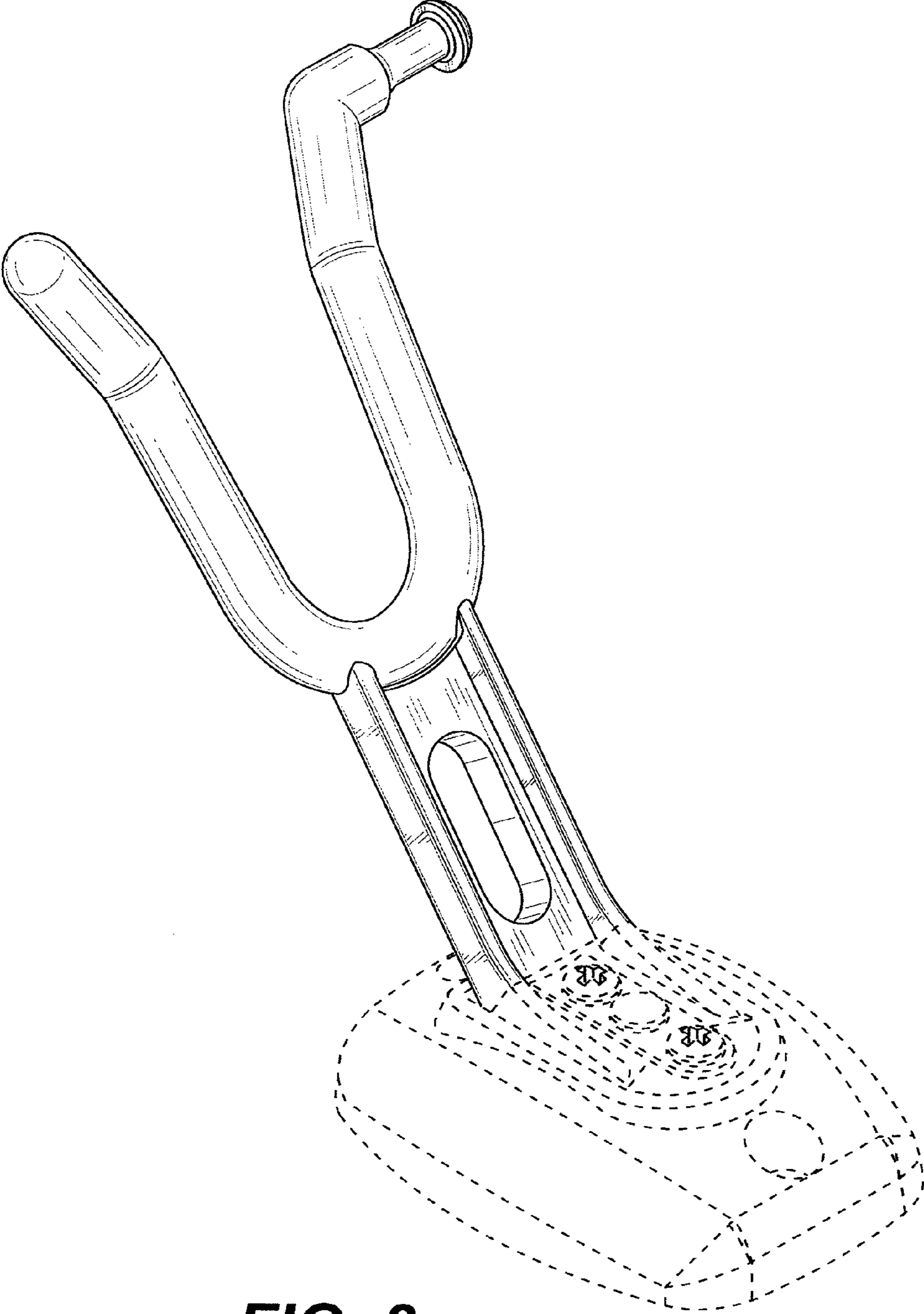


FIG. 8

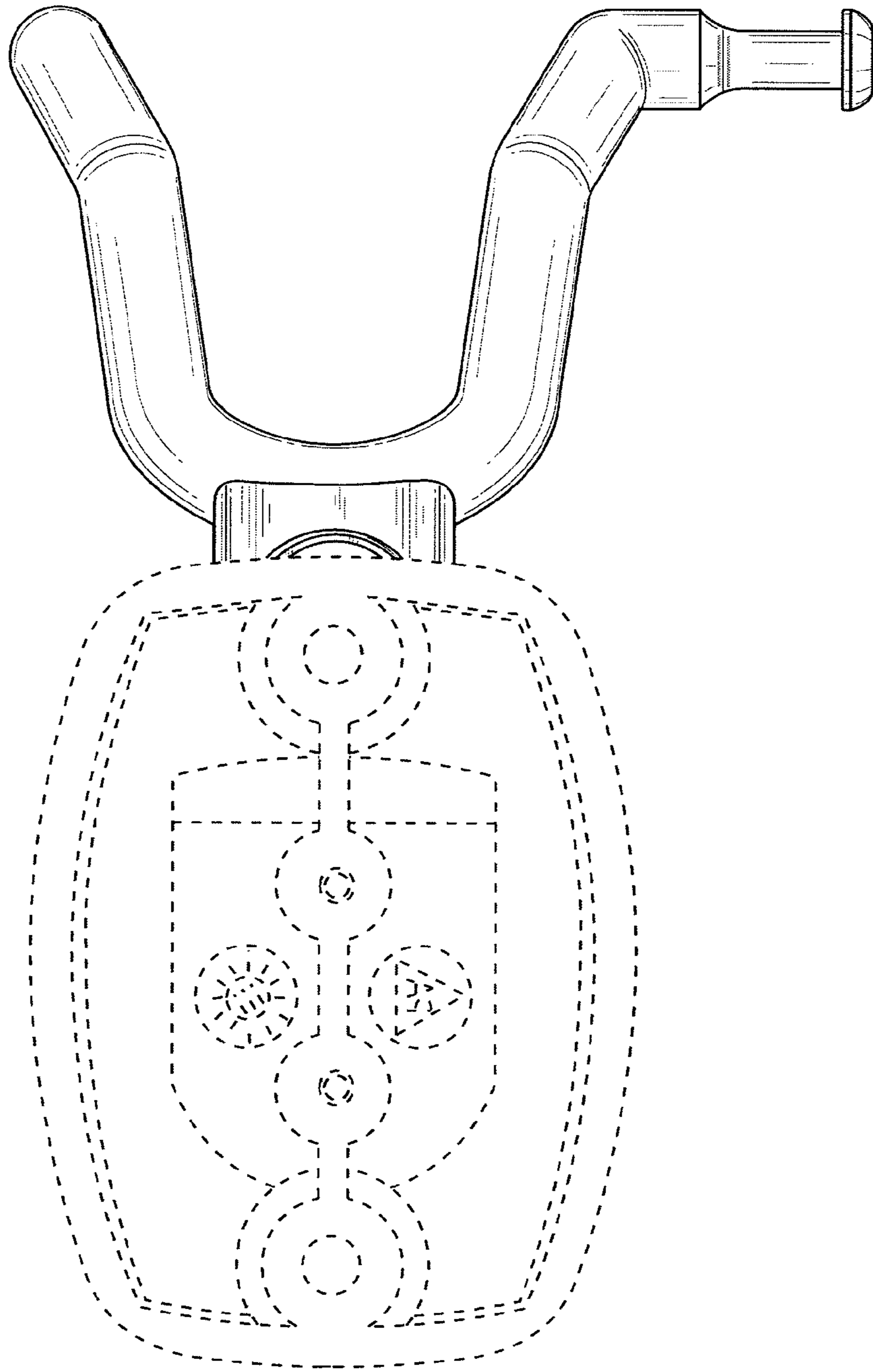


FIG. 9

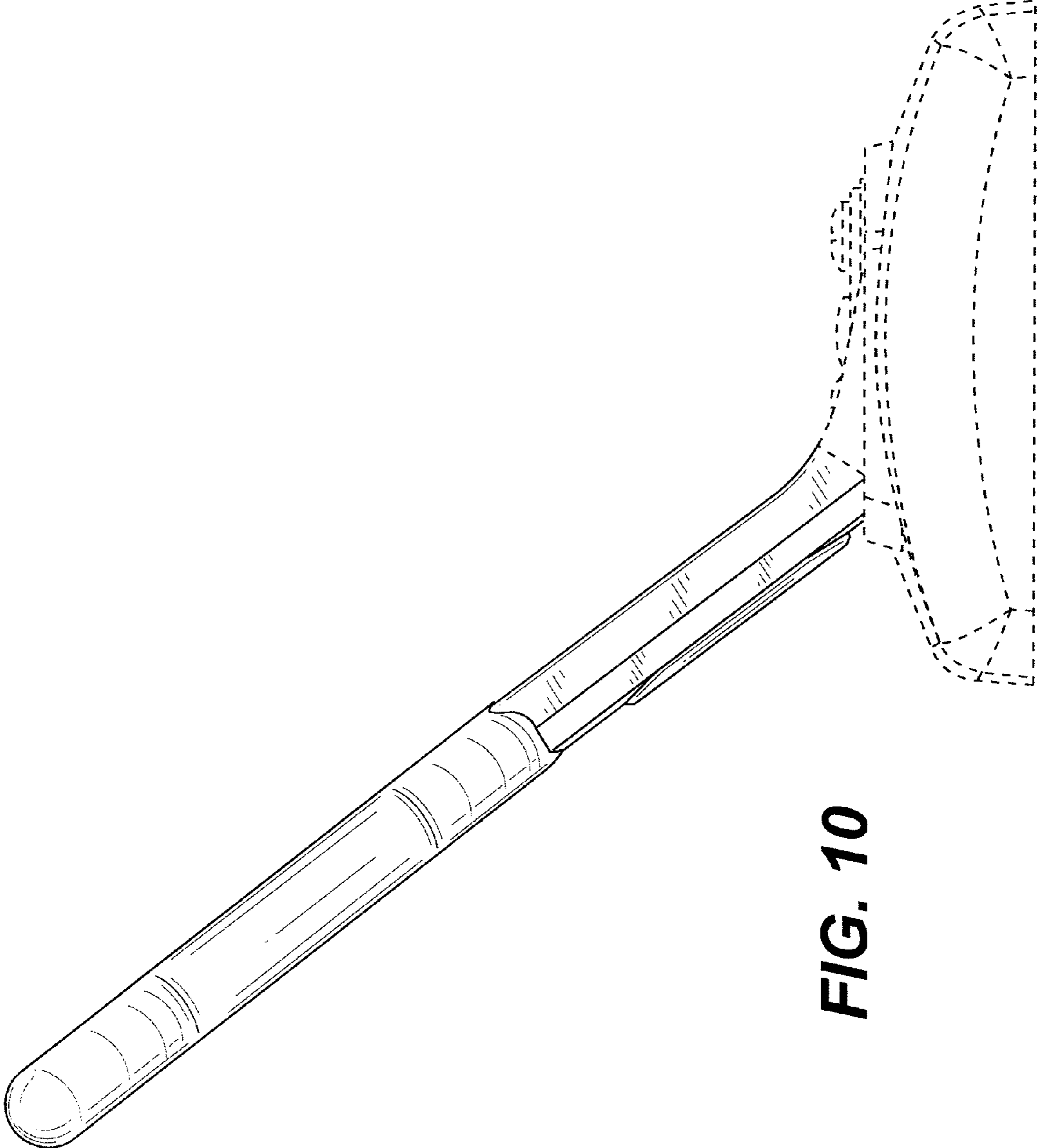


FIG. 10

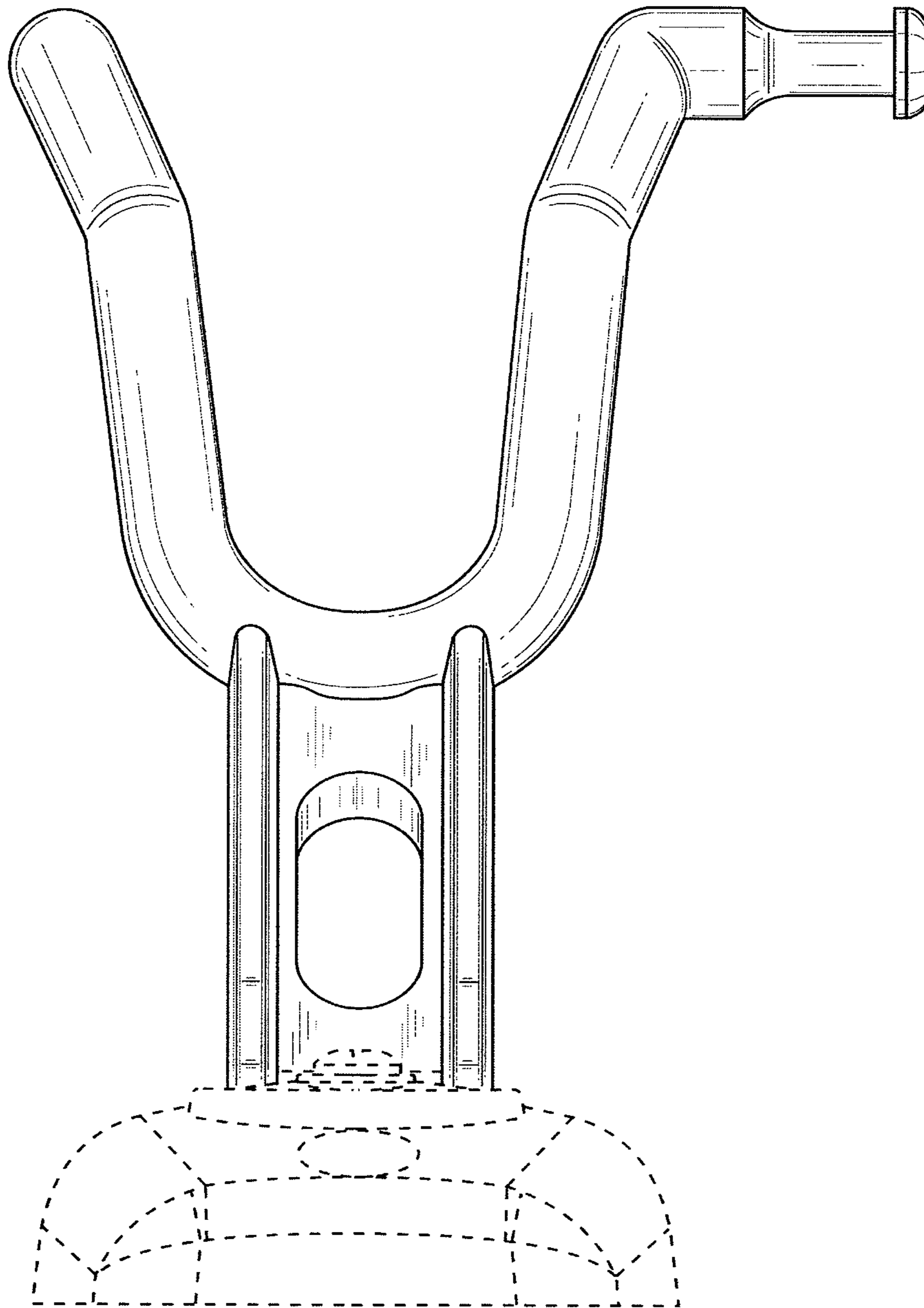


FIG. 11

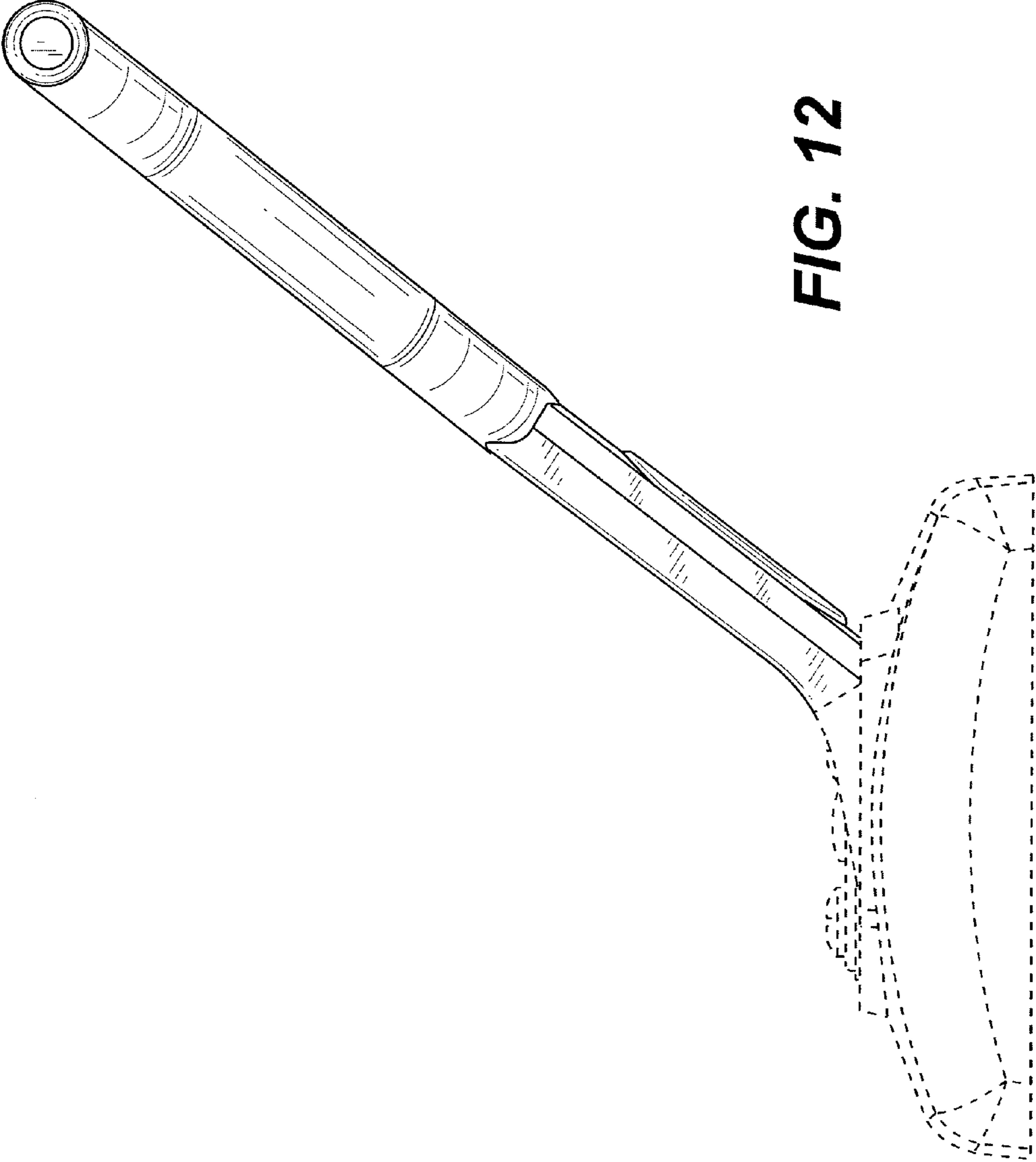


FIG. 12

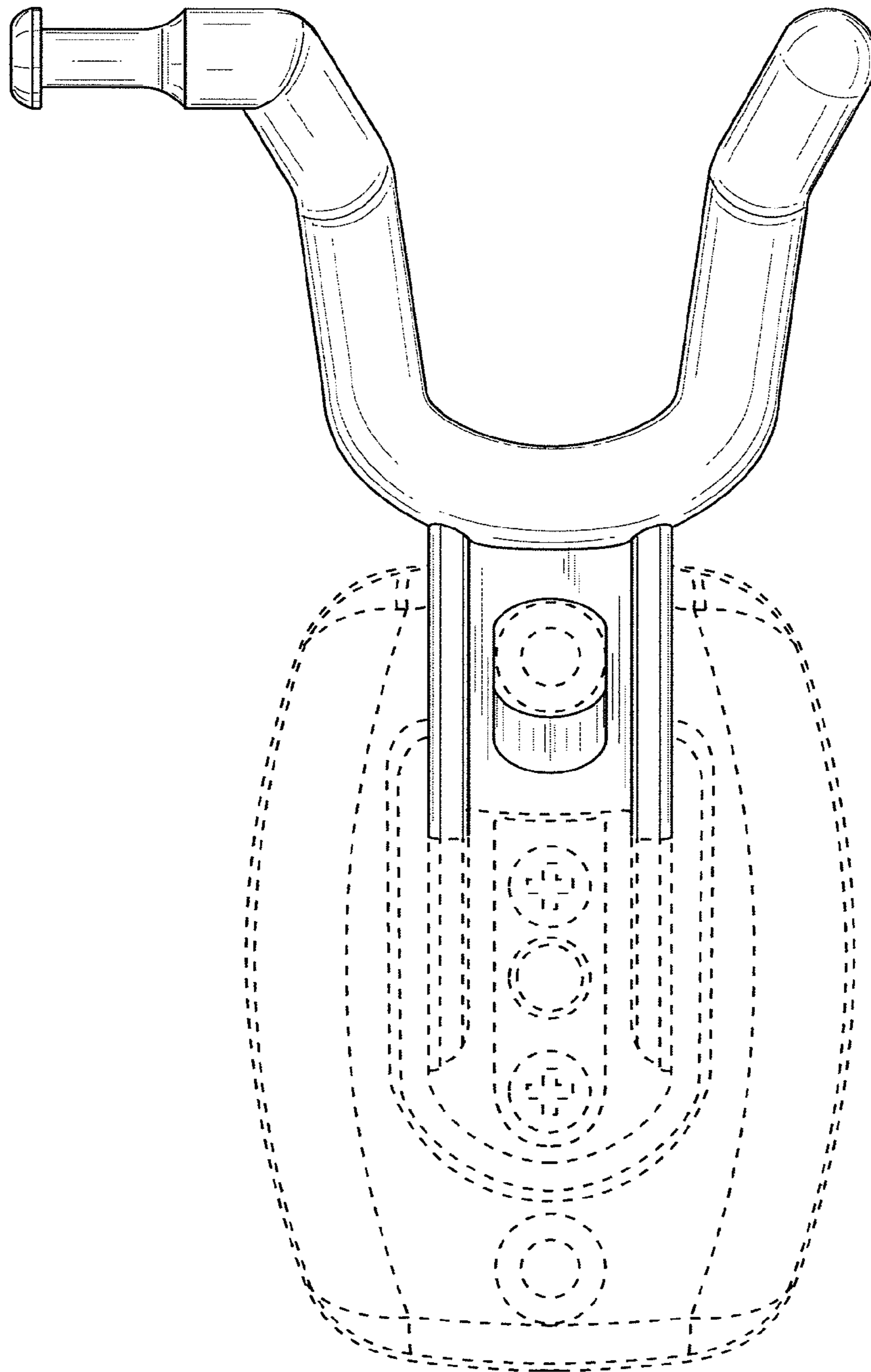


FIG. 13

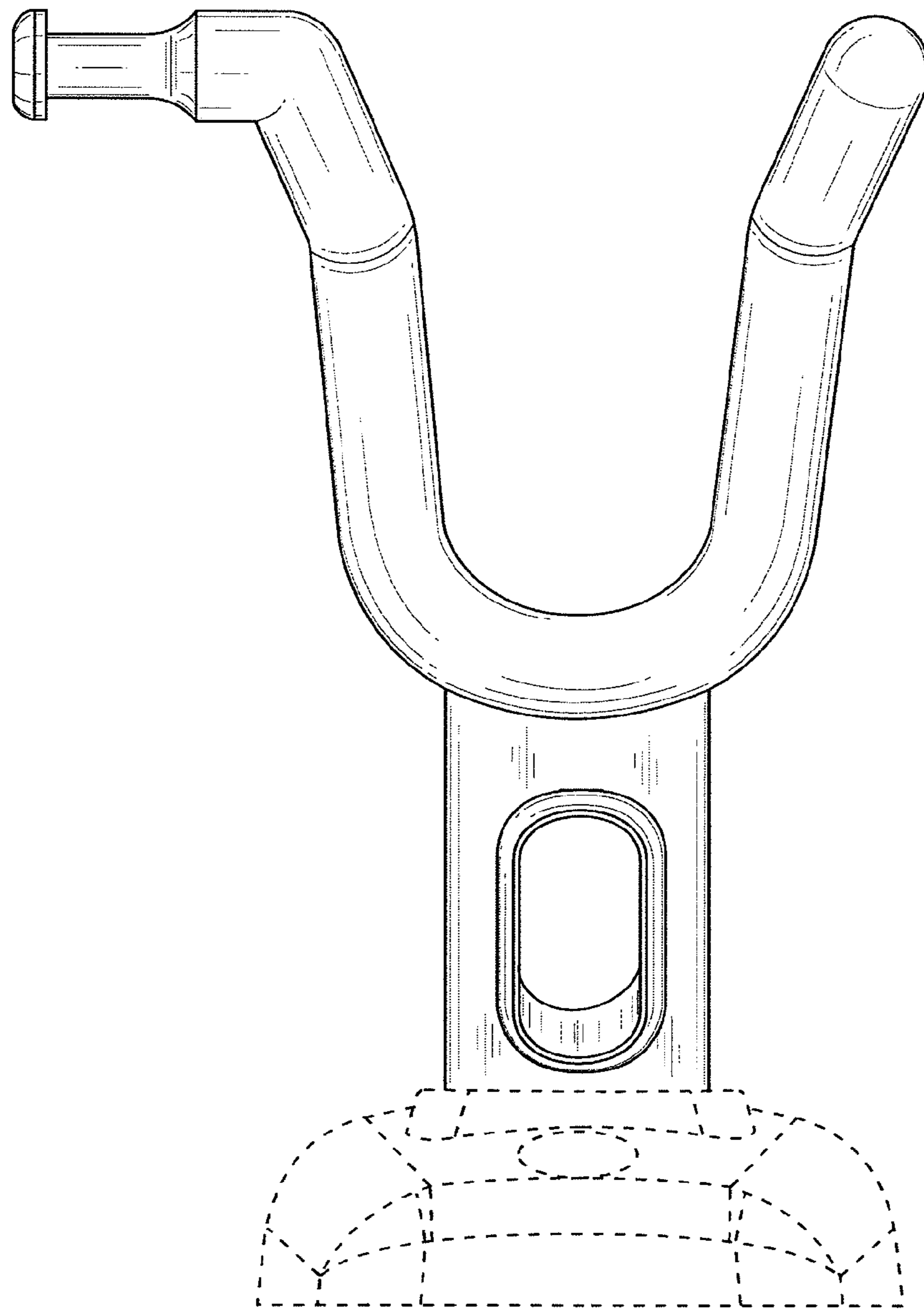


FIG. 14

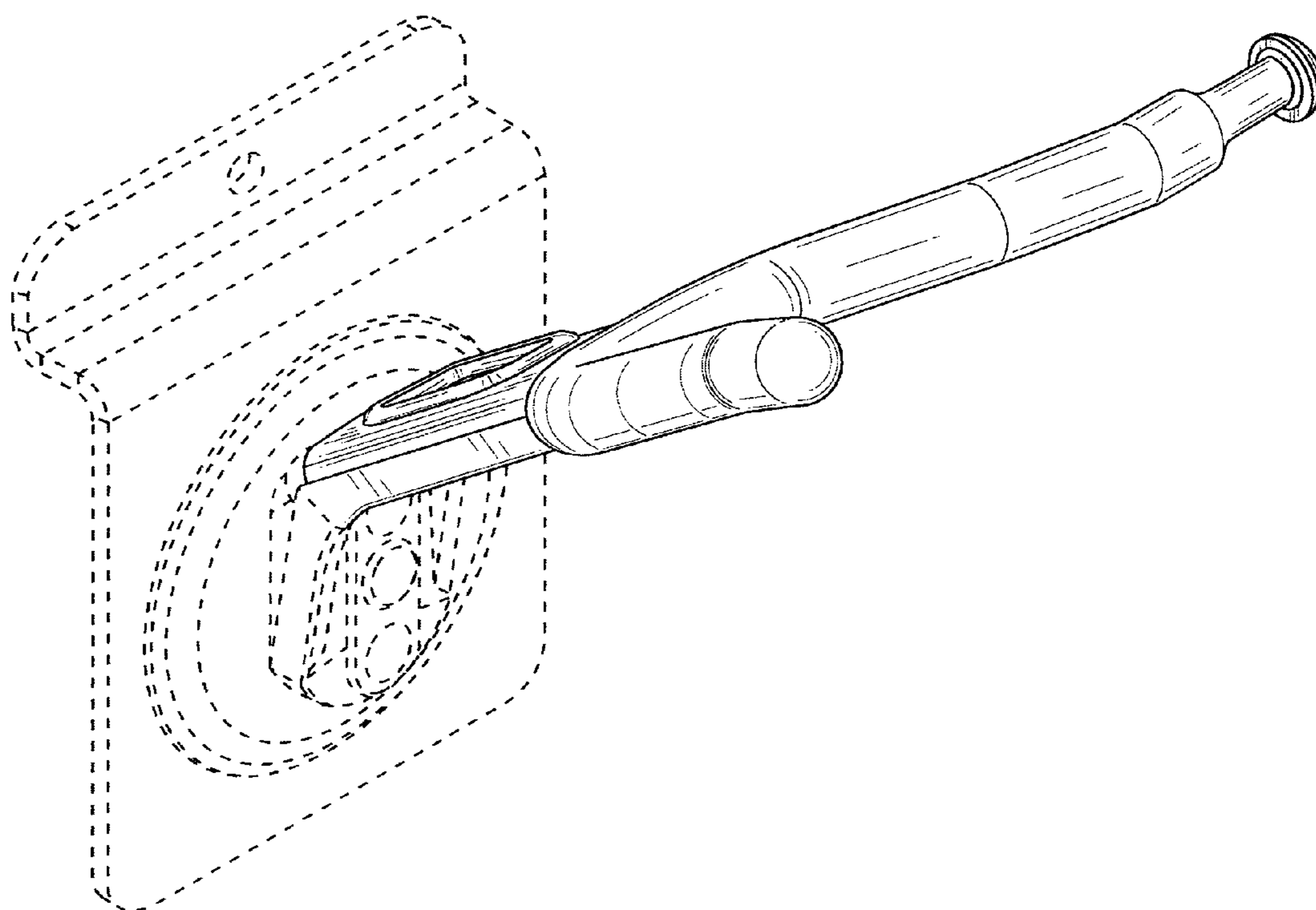


FIG. 15

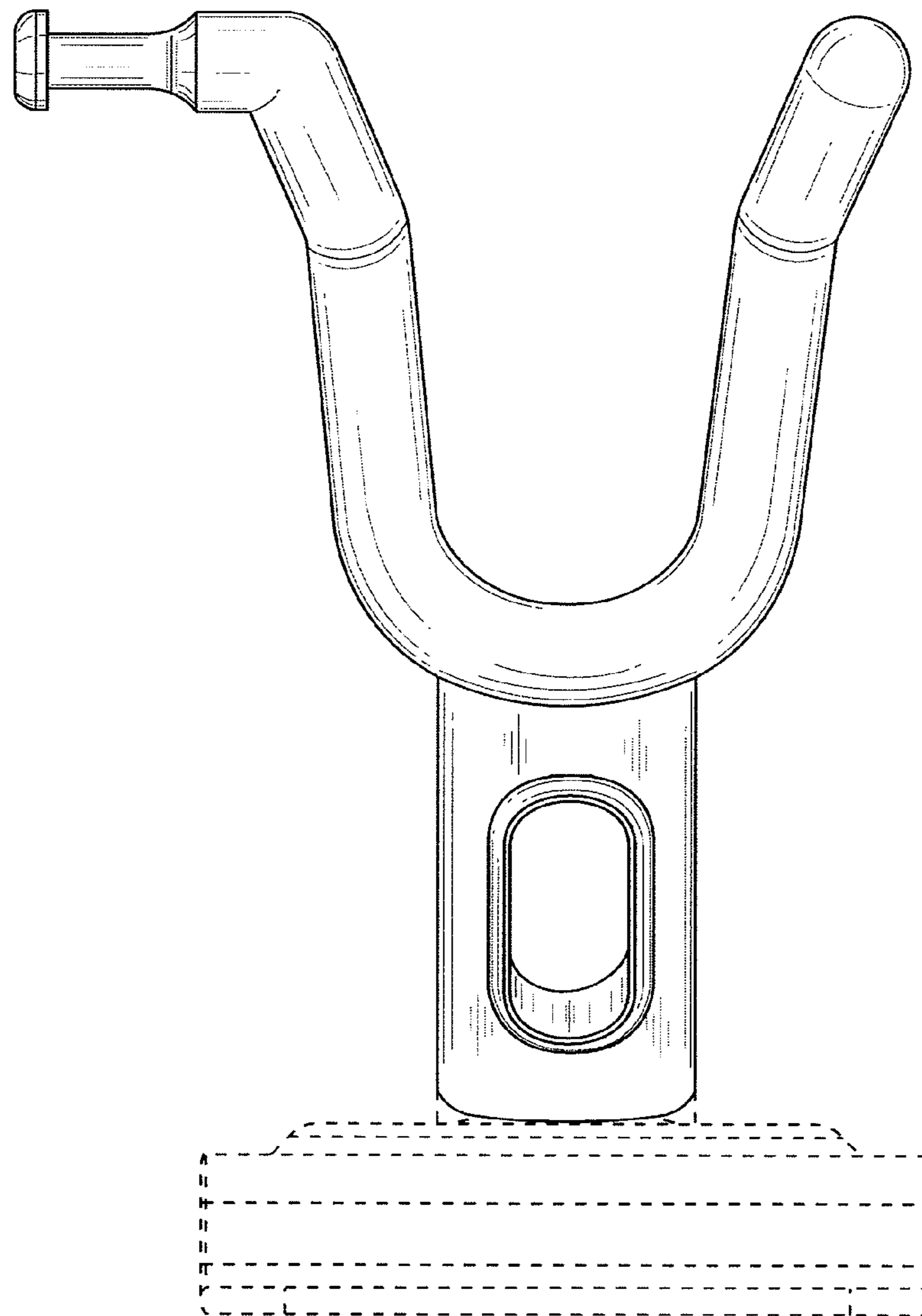


FIG. 16

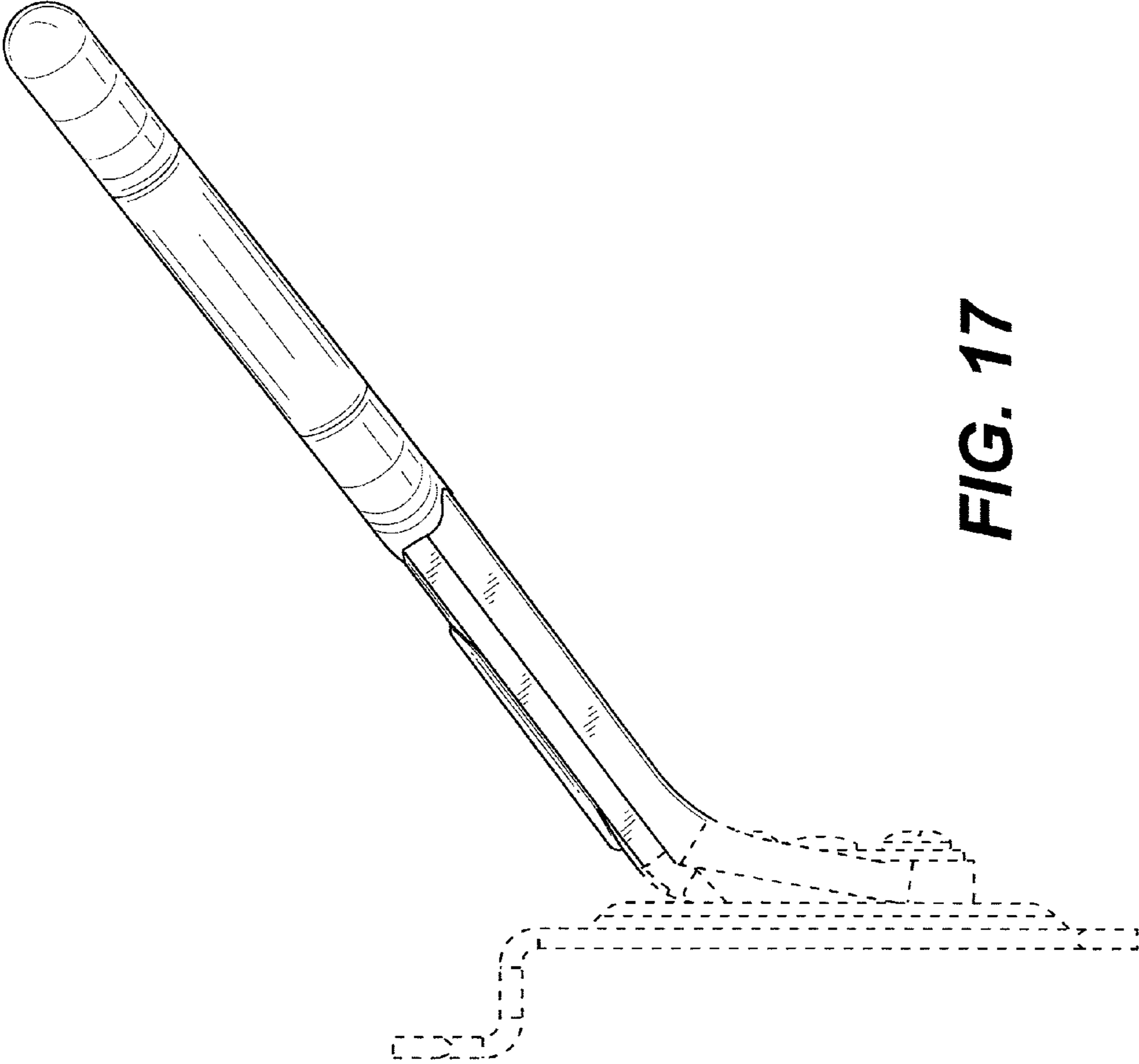


FIG. 17

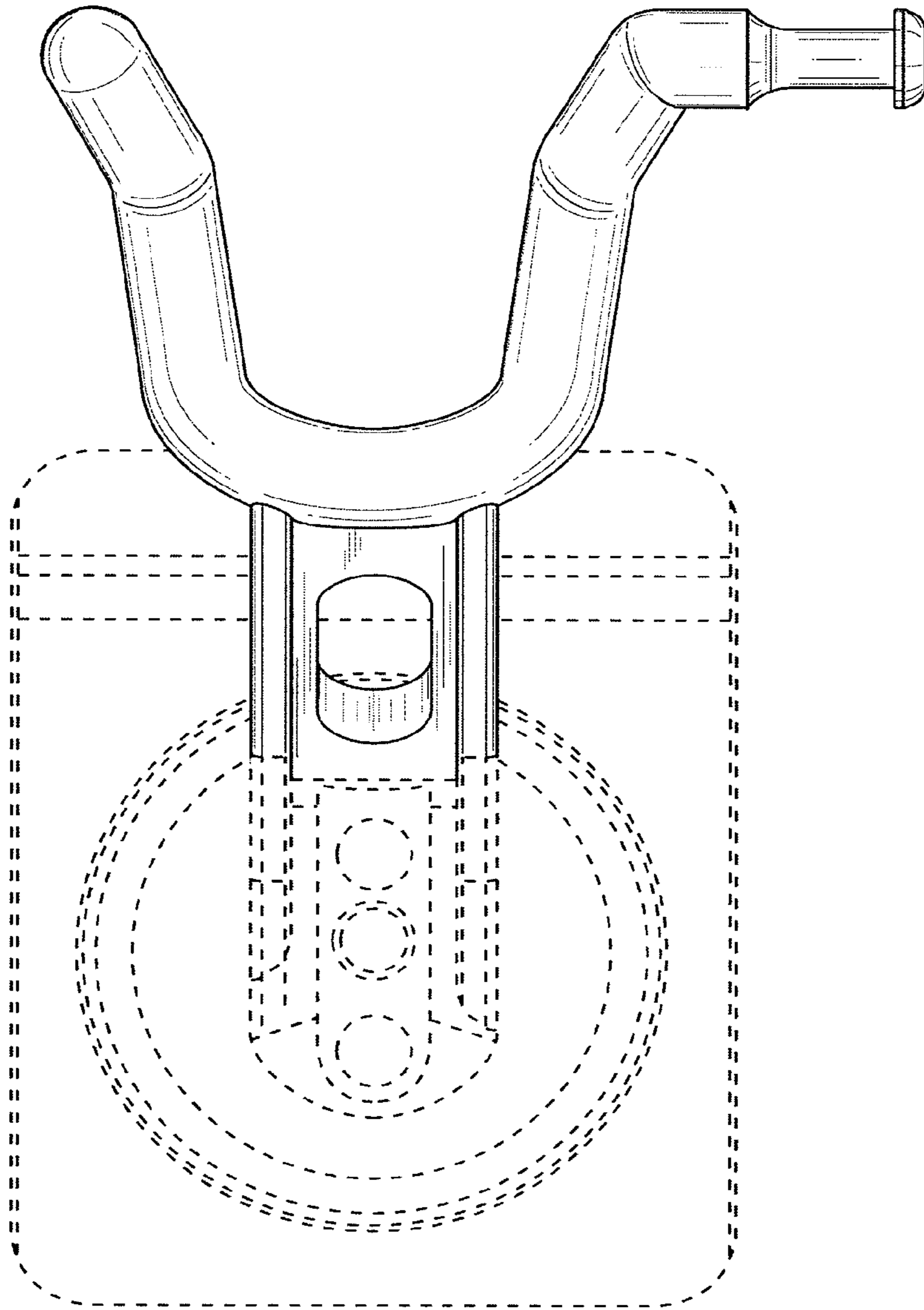


FIG. 18

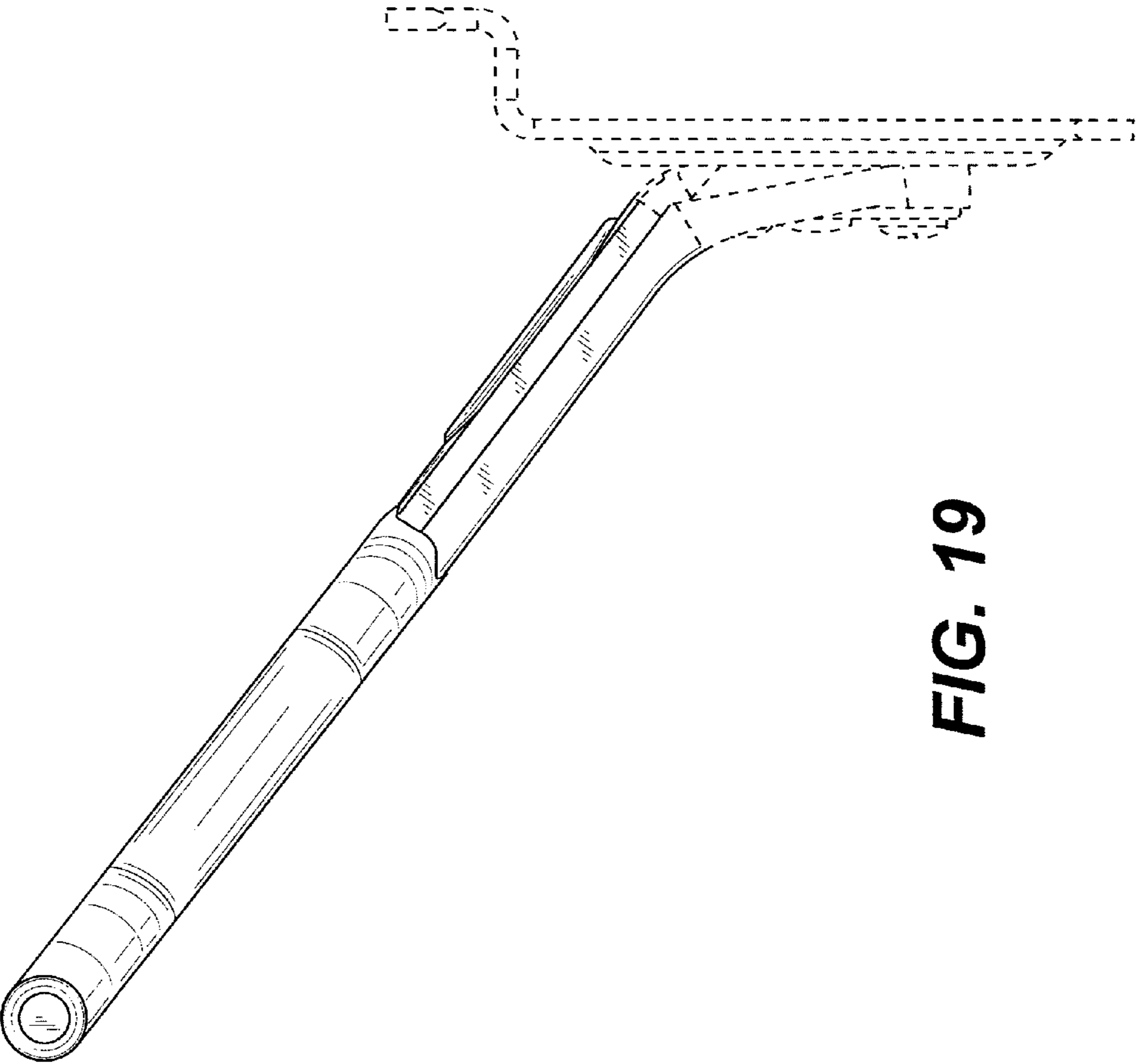


FIG. 19

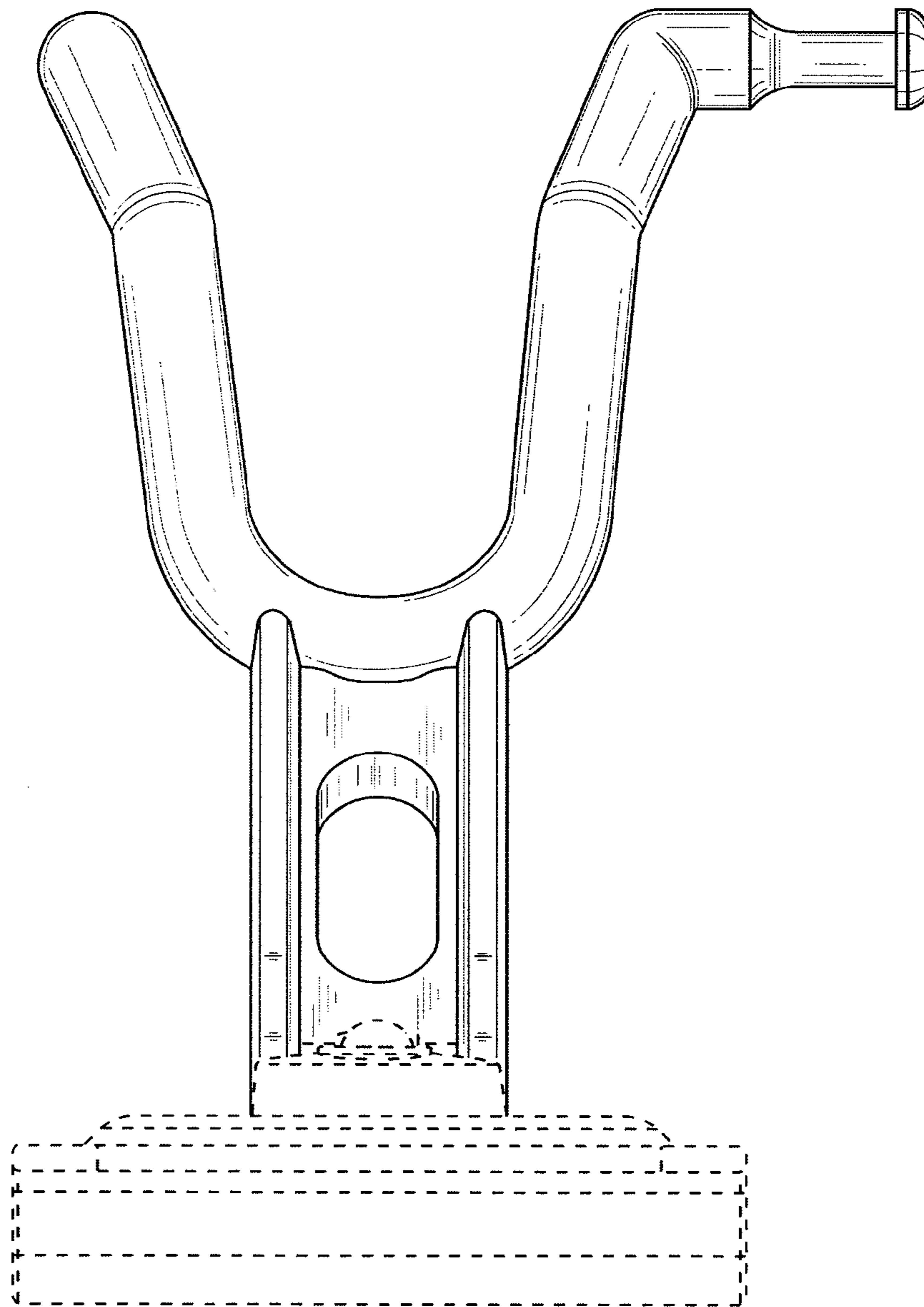


FIG. 20

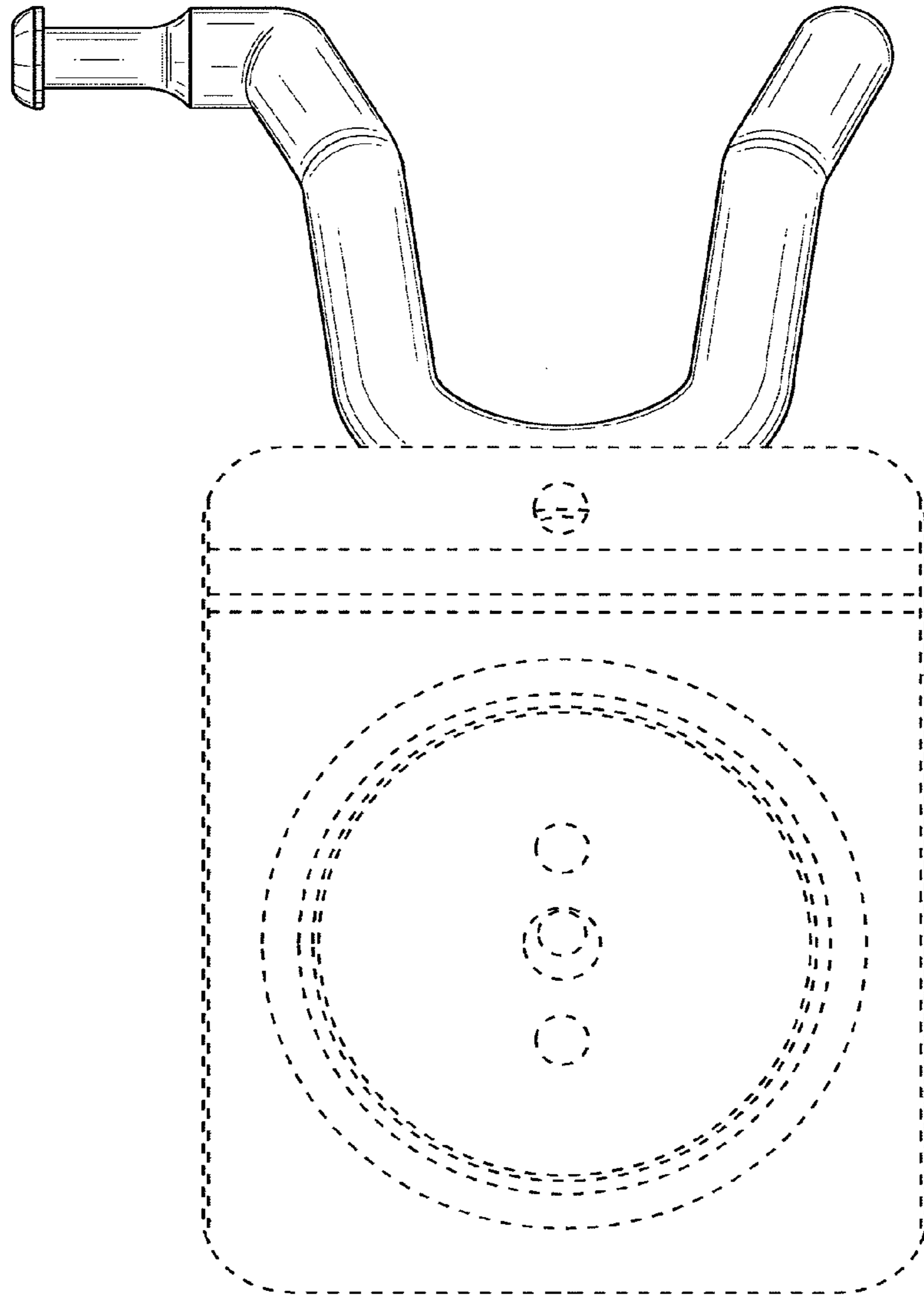


FIG. 21