



US00D715847S

(12) **United States Design Patent**  
**Herrero**

(10) **Patent No.:** **US D715,847 S**  
(45) **Date of Patent:** **\*\* Oct. 21, 2014**

(54) **HANDLE FOR MULTIPLE IMAGERS**

(71) Applicant: **Sean William Herrero**, San Ramon, CA  
(US)

(72) Inventor: **Sean William Herrero**, San Ramon, CA  
(US)

(\*\*) Term: **14 Years**

(21) Appl. No.: **29/452,359**

(22) Filed: **Apr. 15, 2013**

(51) **LOC (10) Cl.** ..... **16-05**

(52) **U.S. Cl.**  
USPC ..... **D16/243**

(58) **Field of Classification Search**  
USPC ..... D3/219, 266, 267; D8/349; D14/140.6,  
D14/251; D16/130-132, 200-206, 208,  
D16/237-246; D26/45; 16/430; 173/170;  
206/316.2; 224/270, 271; 248/169,  
248/171, 176.1, 177.1, 187.1; 324/126,  
324/127; 348/211.7, 375; 352/243; 396/56,  
396/300, 419, 420, 428  
See application file for complete search history.

(56) **References Cited**

**U.S. PATENT DOCUMENTS**

D41,900	S *	11/1911	Ford	.....	D16/201
1,972,000	A	8/1934	Warner		
2,140,051	A	12/1938	Hart		
2,275,644	A	3/1942	Olmstead		
D135,037	S *	2/1943	Munson	.....	D16/243
2,466,713	A	4/1949	Kraus		
2,483,711	A	10/1949	Roos		
D196,010	S *	8/1963	Kubnick	.....	D16/243
D207,811	S *	5/1967	Bjorn	.....	D16/206
3,511,159	A	5/1970	Hobbs		
3,731,607	A	5/1973	Mandler		
3,877,048	A	4/1975	Kellner		
4,304,483	A	12/1981	Whitten		
4,306,790	A	12/1981	Adams		

4,630,911	A	12/1986	Paul		
4,751,570	A	6/1988	Robinson		
4,907,022	A	3/1990	Myers		
D320,995	S *	10/1991	Fukuda et al.	.....	D16/243
D323,182	S *	1/1992	Fukuda et al.	.....	D16/243
5,491,919	A	2/1996	Rather et al.		
5,742,859	A	4/1998	Acker		
5,845,165	A	12/1998	McMahan		
D445,817	S *	7/2001	Okuley	.....	D16/206
6,574,899	B1	6/2003	Mostello		
6,707,501	B1 *	3/2004	McKay et al.	.....	348/373
6,862,407	B2	3/2005	Gale		
D518,214	S *	3/2006	Krieger et al.	.....	D26/45
D518,215	S *	3/2006	Krieger et al.	.....	D26/45
7,128,354	B2	10/2006	Wu		
D532,813	S *	11/2006	Speggiorin	.....	D16/243
D540,838	S *	4/2007	Aronsson et al.	.....	D16/206
D590,867	S *	4/2009	Schenone et al.	.....	D16/242
7,563,038	B2	7/2009	Hershenzon		
D618,797	S *	6/2010	Price et al.	.....	D24/145
7,823,855	B2 *	11/2010	Faifer	.....	248/440.1
8,069,605	B2	12/2011	Fressola et al.		
D658,325	S *	4/2012	Inskeep	.....	D26/45

(Continued)

*Primary Examiner* — Susan Bennett Hattan

*Assistant Examiner* — Leanne Was

(74) *Attorney, Agent, or Firm* — Patent Law Offices of  
Michael E. Woods; Michael E. Woods

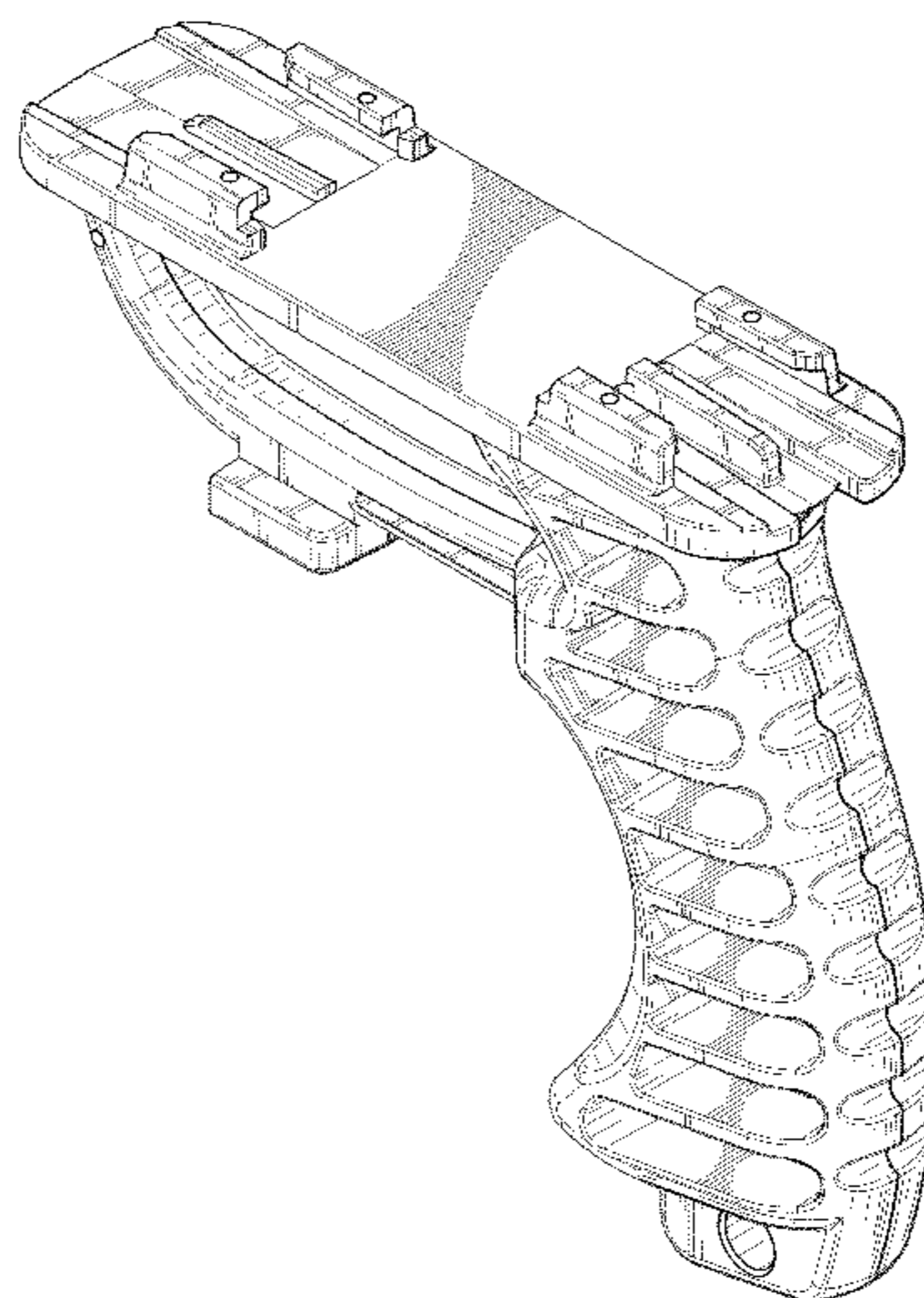
(57) **CLAIM**

The ornamental design for a handle for multiple imagers, as shown and described.

**DESCRIPTION**

FIG. 1 is an isometric view from left/rear/top;  
FIG. 2 is a front view of FIG. 1;  
FIG. 3 is a left side view of FIG. 1(right side view being a mirror image thereof);  
FIG. 4 is a rear view of FIG. 1;  
FIG. 5 is a top view of FIG. 1;  
FIG. 6 is a bottom view of FIG. 1; and,  
FIG. 7 is an isometric view from right/front/bottom.

**1 Claim, 6 Drawing Sheets**



(56)

**References Cited**

U.S. PATENT DOCUMENTS

D658,796 S *	5/2012	Inskeep .....	D26/45	D700,384 S *	2/2014	Lee .....	D26/45
8,238,741 B2	8/2012	Pace et al.		D701,554 S *	3/2014	Huguley .....	D16/243
8,274,273 B2 *	9/2012	Nguyen et al. ....	324/126	D702,383 S *	4/2014	Inskeep .....	D26/45
D673,705 S *	1/2013	Inskeep .....	D26/45	2006/0082730 A1	4/2006	Franks	
D673,706 S *	1/2013	Inskeep .....	D26/45	2006/0239677 A1	10/2006	Friedrich	
D673,707 S *	1/2013	Inskeep .....	D26/45	2007/0177866 A1	8/2007	Fujimoto	
8,360,661 B2	1/2013	Orf et al.		2009/0045304 A1 *	2/2009	Faifer .....	248/188.5
8,373,762 B2 *	2/2013	Cottagnoud .....	348/211.7	2011/0019992 A1	1/2011	Orf	
D683,490 S *	5/2013	Lee .....	D26/45	2011/0129210 A1	6/2011	McGucken	
8,534,934 B1	9/2013	Carney		2011/0169481 A1 *	7/2011	Nguyen et al. ....	324/126
				2012/0288266 A1	11/2012	Pace et al.	
				2013/0021036 A1 *	1/2013	Nguyen et al. ....	324/426

\* cited by examiner

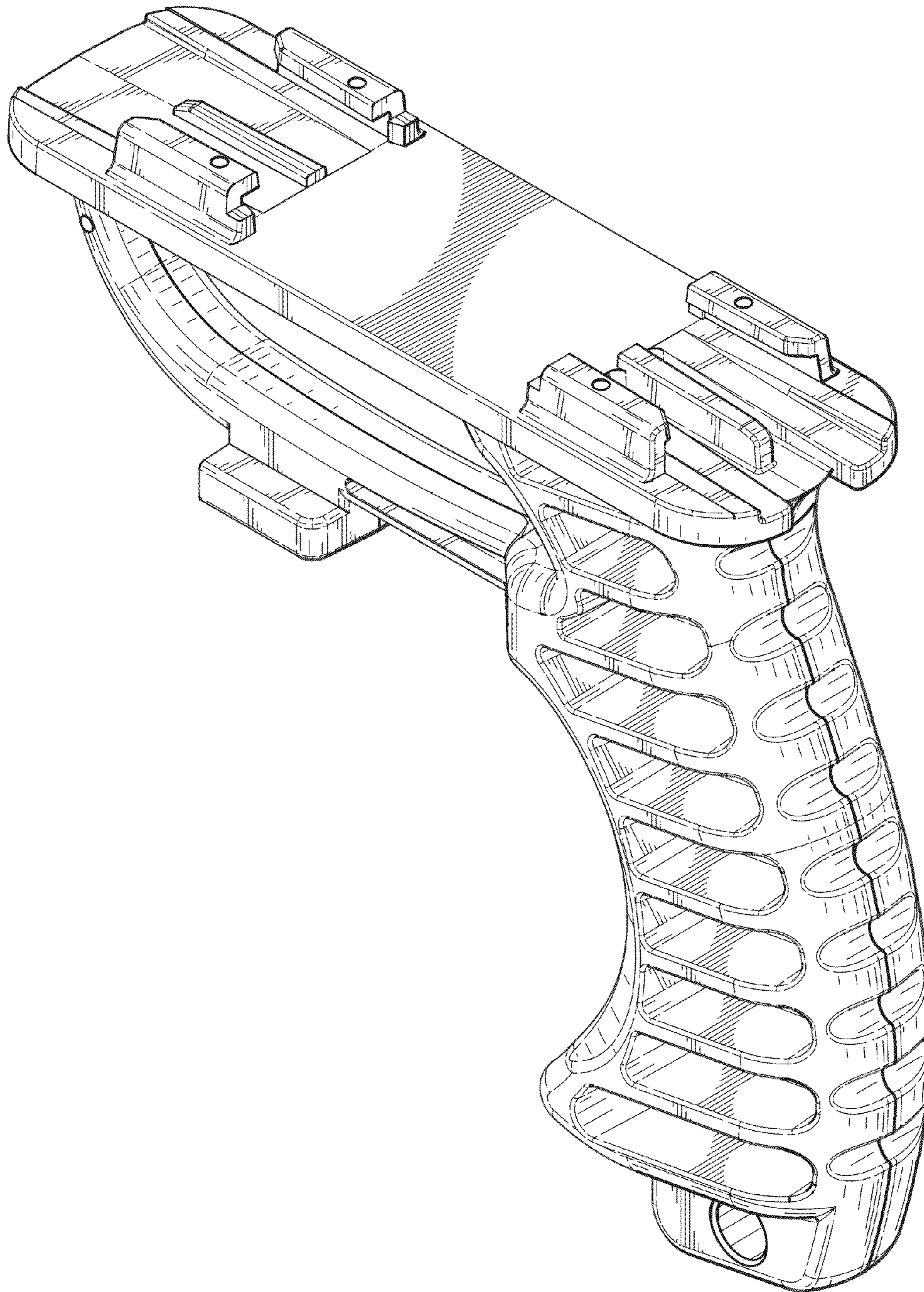


FIG. 1

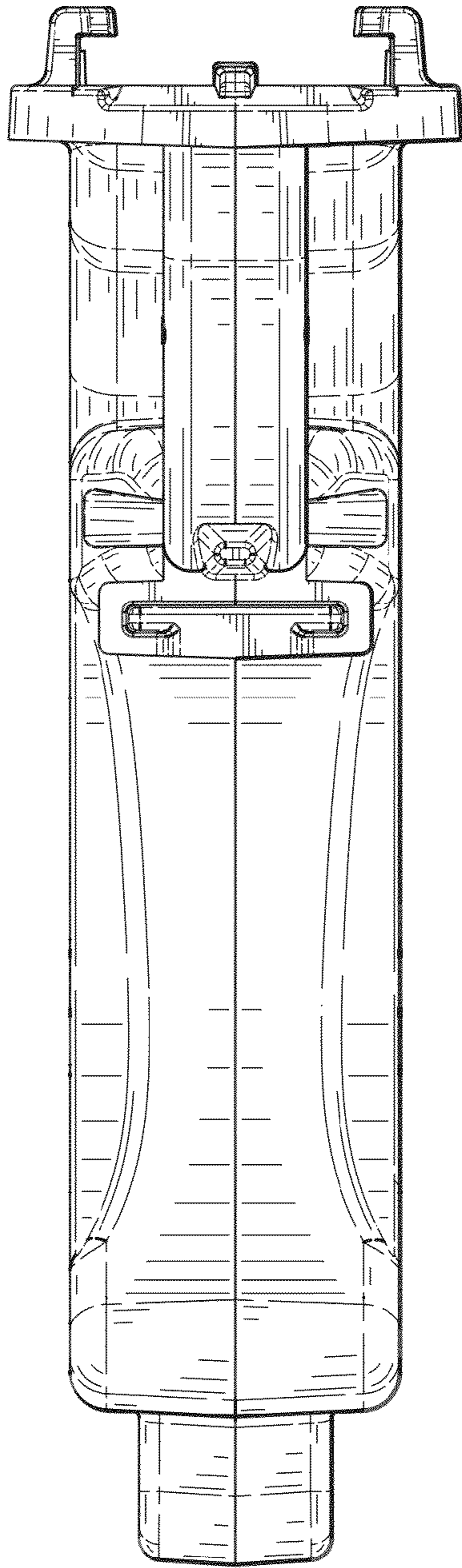


FIG. 2

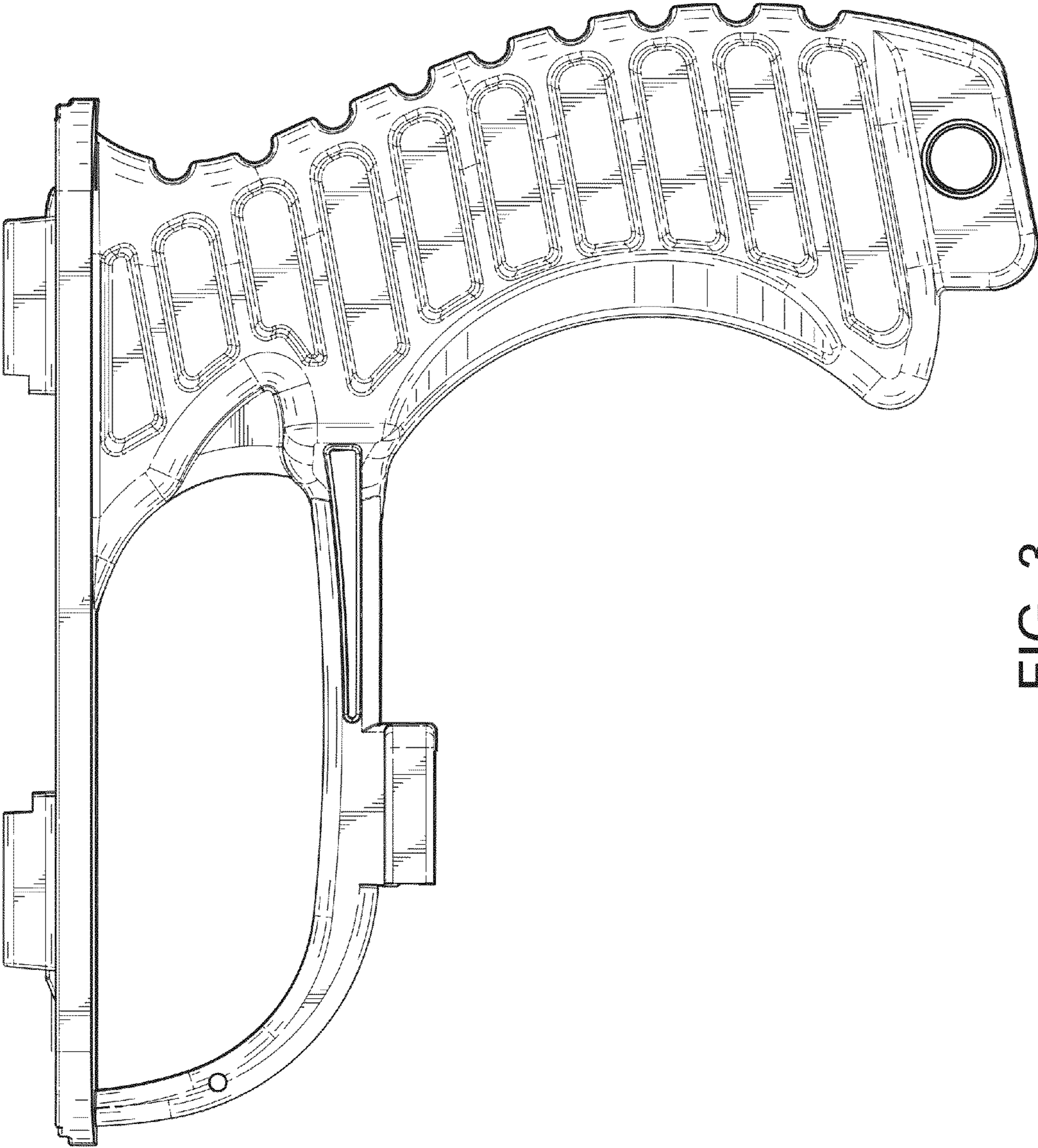


FIG. 3

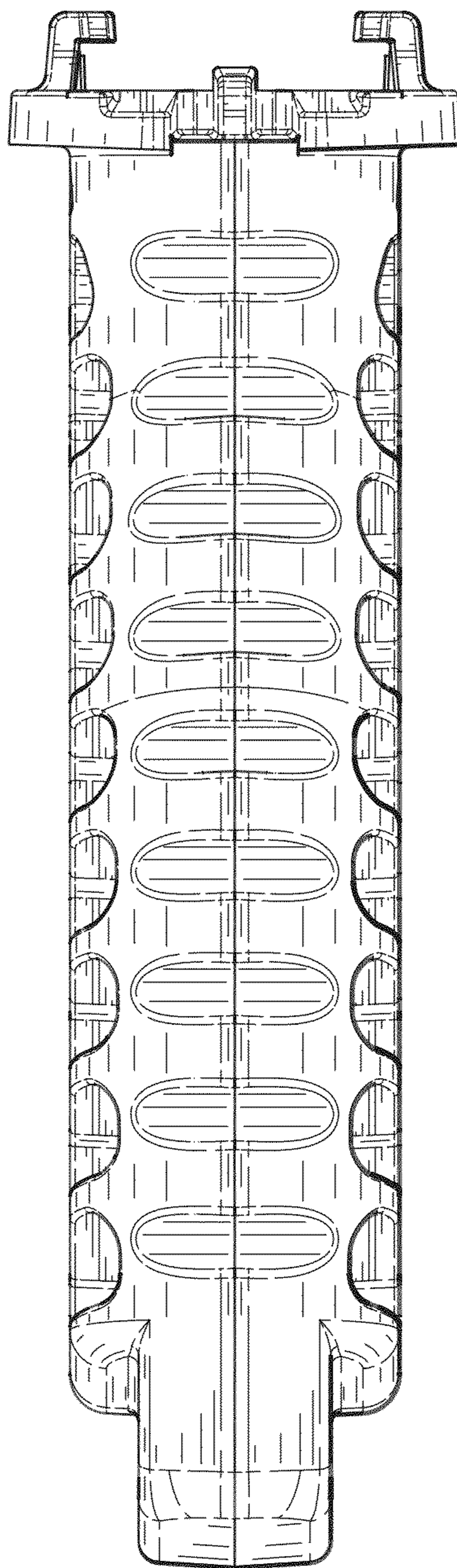


FIG. 4

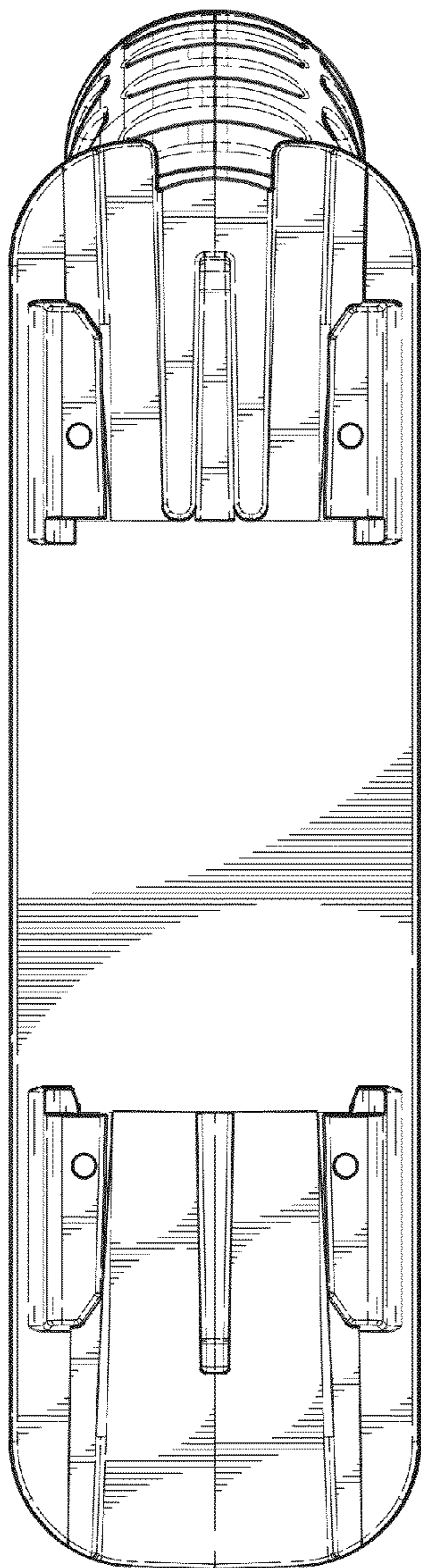


FIG. 5

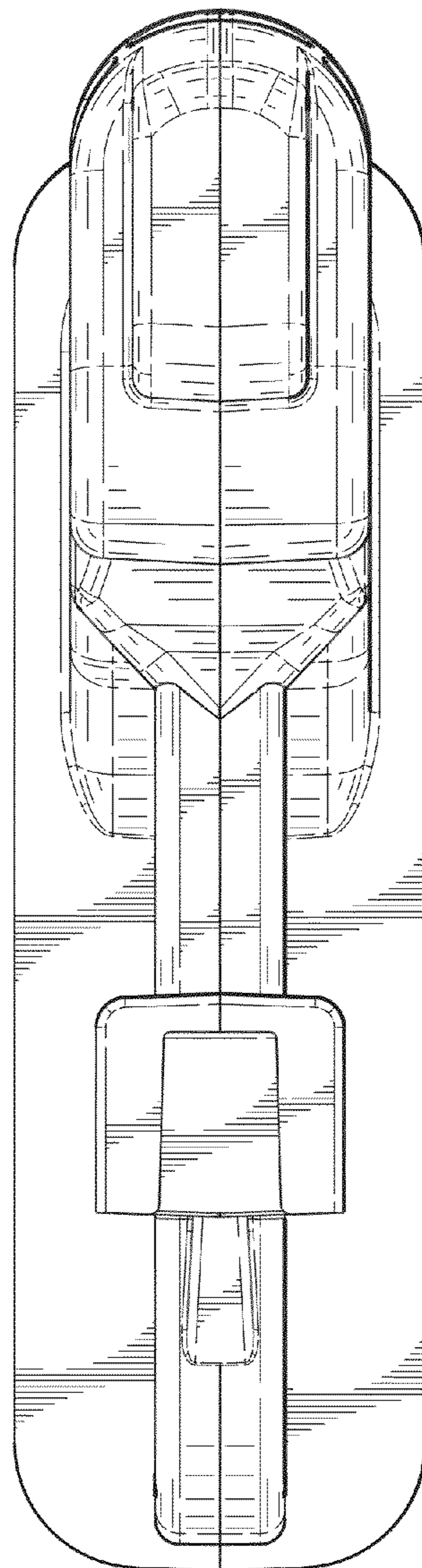


FIG. 6

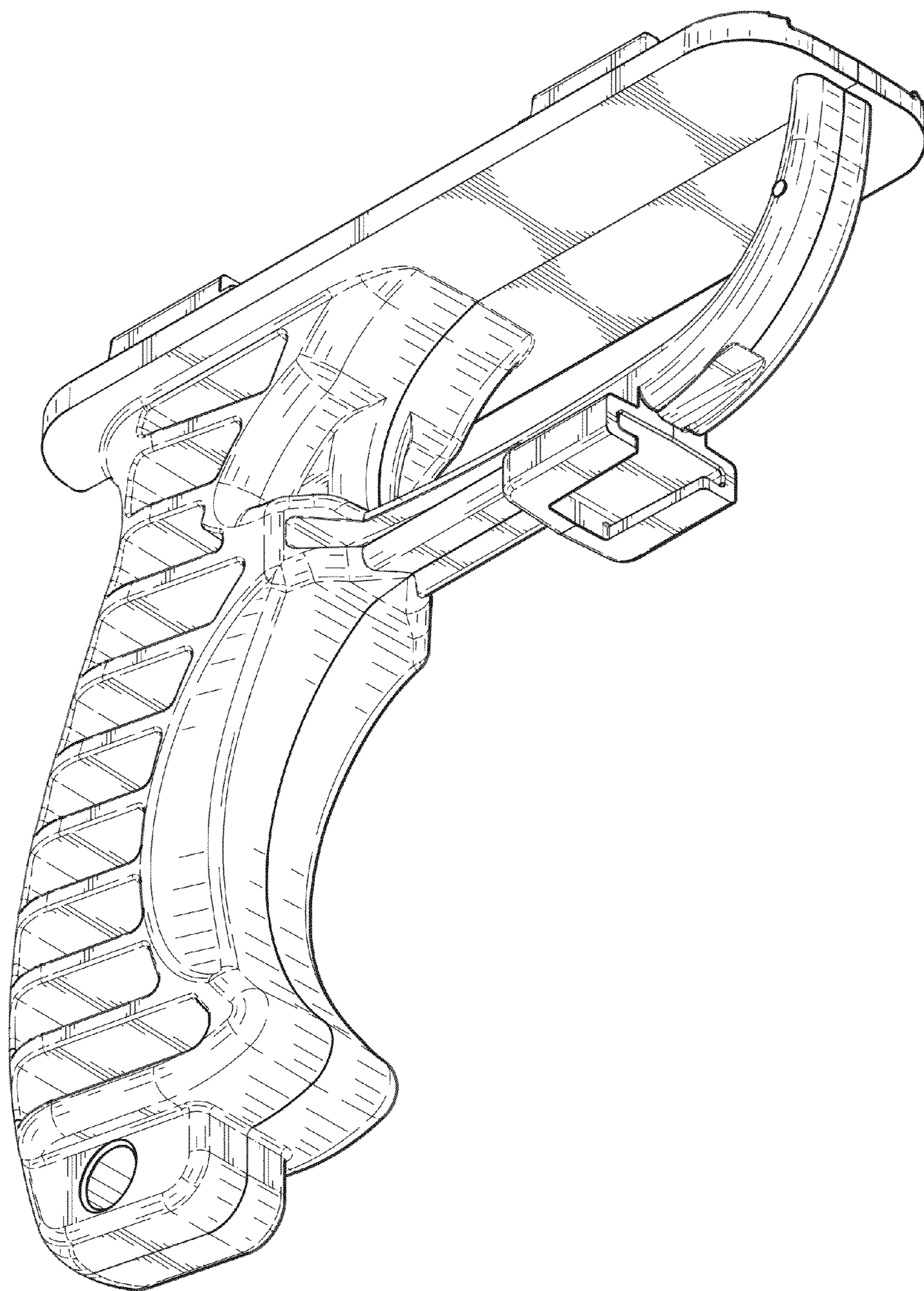


FIG. 7