



US00D715845S

(12) **United States Design Patent**
Takahashi et al.

(10) **Patent No.:** **US D715,845 S**
(45) **Date of Patent:** **** Oct. 21, 2014**

(54) **SURVEILLANCE CAMERA**
(75) Inventors: **Masami Takahashi**, Kanagawa (JP);
Shinichi Murata, Osaka (JP)
(73) Assignee: **Panasonic Corporation**, Osaka (JP)
(**) Term: **14 Years**
(21) Appl. No.: **29/415,655**
(22) Filed: **Mar. 13, 2012**

(30) **Foreign Application Priority Data**

Jan. 23, 2012 (JP) 2012-001105

(51) **LOC (10) Cl.** **16-05**

(52) **U.S. Cl.**
USPC **D16/219**

(58) **Field of Classification Search**
USPC D16/219; D11/3, 17, 22, 25, 26, 27, 95,
D11/200, 206, 210, 222, 236; D19/12, 39,
D19/40, 44; D8/18, 38, 39, 40; D25/122;
73/114.57, 725, 746; 338/42; 417/269,
417/571; 92/71
See application file for complete search history.

(56) **References Cited**

U.S. PATENT DOCUMENTS

D273,012 S * 3/1984 Kozloski D16/203
D279,402 S * 6/1985 Gibson D23/204
5,152,592 A * 10/1992 Krayner 312/238
D420,354 S * 2/2000 Morales D14/191
6,568,772 B2 * 5/2003 Gerkey et al. 312/238
D475,991 S * 6/2003 Hisatsune D14/211
D497,928 S 11/2004 Cheng-Yuan
D514,150 S * 1/2006 Muto et al. D16/203
6,989,097 B2 * 1/2006 Karode et al. 210/493.4
D515,607 S * 2/2006 Cheng D16/203
D528,144 S * 9/2006 Takemasa D16/203
D542,320 S 5/2007 Cheng

D547,462 S * 7/2007 Petta et al. D25/122
D550,738 S 9/2007 Hsia
D554,169 S 10/2007 Peng et al.
D554,171 S 10/2007 Deng
D558,250 S 12/2007 Hsia
D576,193 S 9/2008 Su et al.
D578,560 S 10/2008 Hsia
D578,561 S * 10/2008 Dumanogullari D16/203
D585,926 S 2/2009 Su et al.
D634,347 S 3/2011 Park
D634,768 S 3/2011 Ko
D635,172 S 3/2011 Ko
D637,640 S 5/2011 Park
D638,459 S 5/2011 Park
D661,719 S * 6/2012 Katori et al. D16/203

* cited by examiner

Primary Examiner — Phillip S Hyder

Assistant Examiner — Darlington Ly

(74) *Attorney, Agent, or Firm* — Brinks Gilson & Lione

(57) **CLAIM**

We claim the ornamental design for a surveillance camera, as shown and described.

DESCRIPTION

FIG. 1 is a front perspective view of a surveillance camera of the present invention;
FIG. 2 is a front view thereof;
FIG. 3 is a rear view thereof;
FIG. 4 is a bottom view thereof;
FIG. 5 is a top view thereof;
FIG. 6 is a first side view thereof;
FIG. 7 is a second side view thereof; and,
FIG. 8 is an enlarged view of the claimed portion shown in FIG. 2, the broken lines shown in FIG. 2 being omitted from FIG. 8 for convenience of illustration.
The broken lines shown represent unclaimed subject matter and form no part of the claimed design.

1 Claim, 7 Drawing Sheets

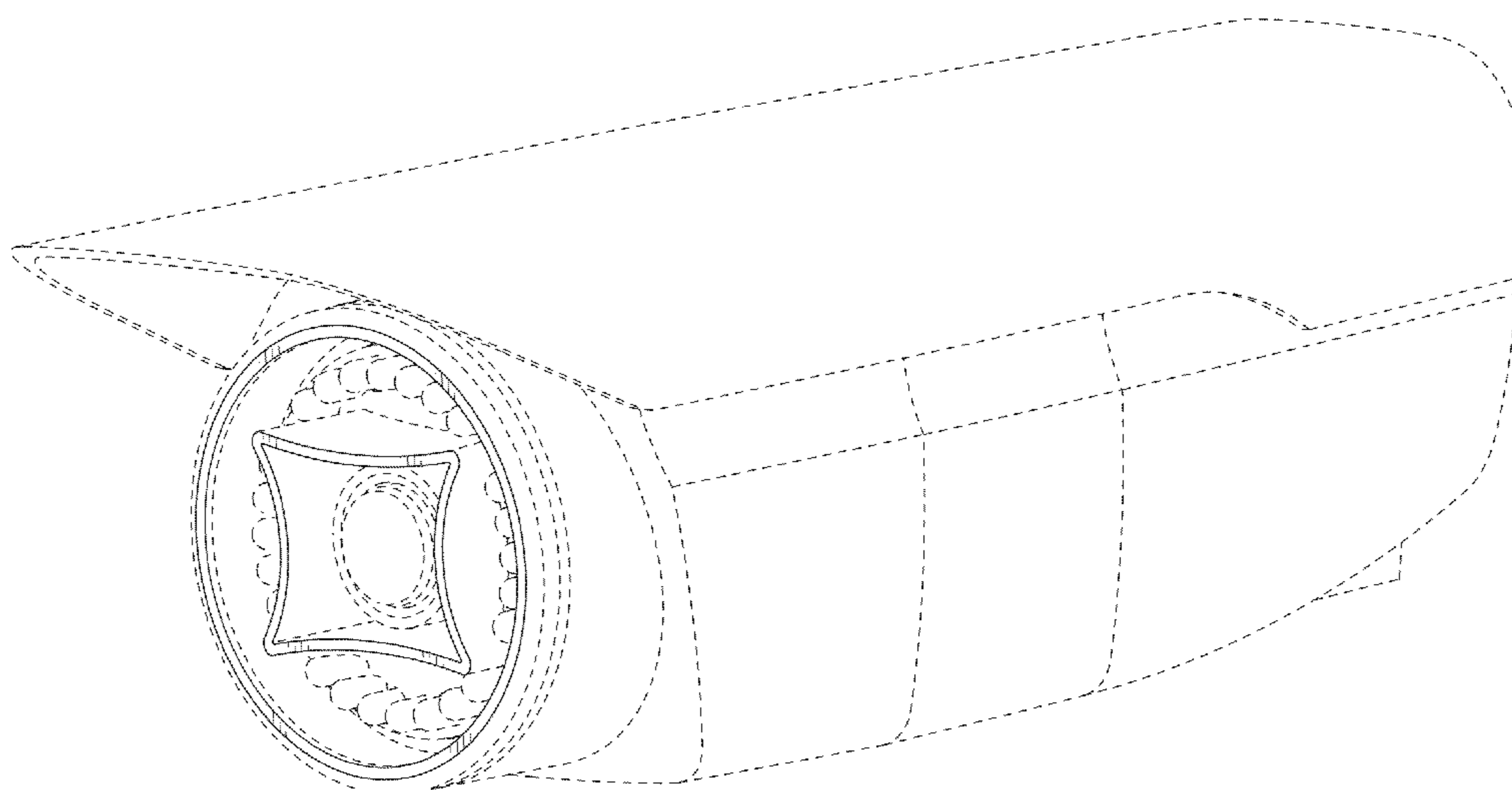


FIG.1

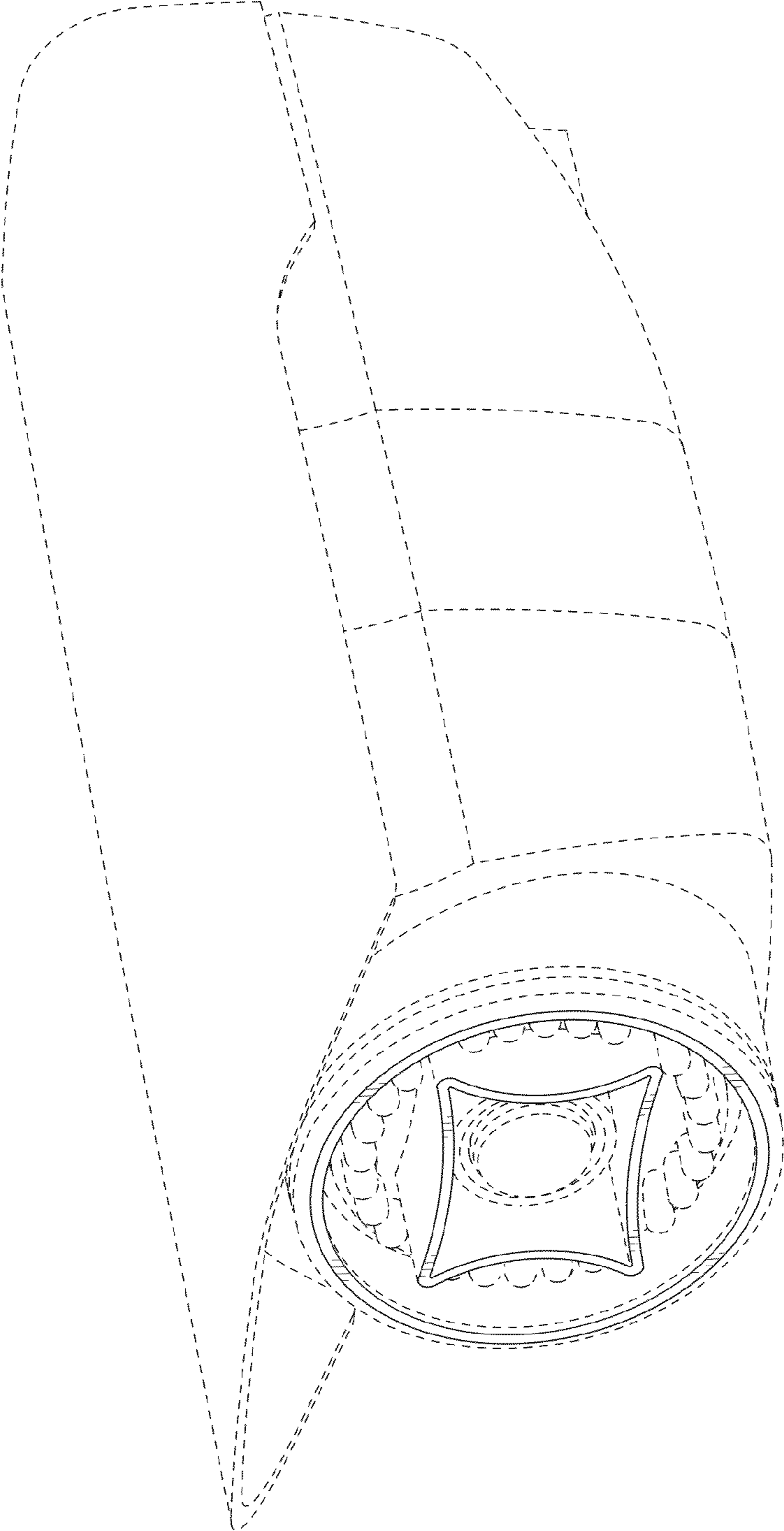


FIG.2

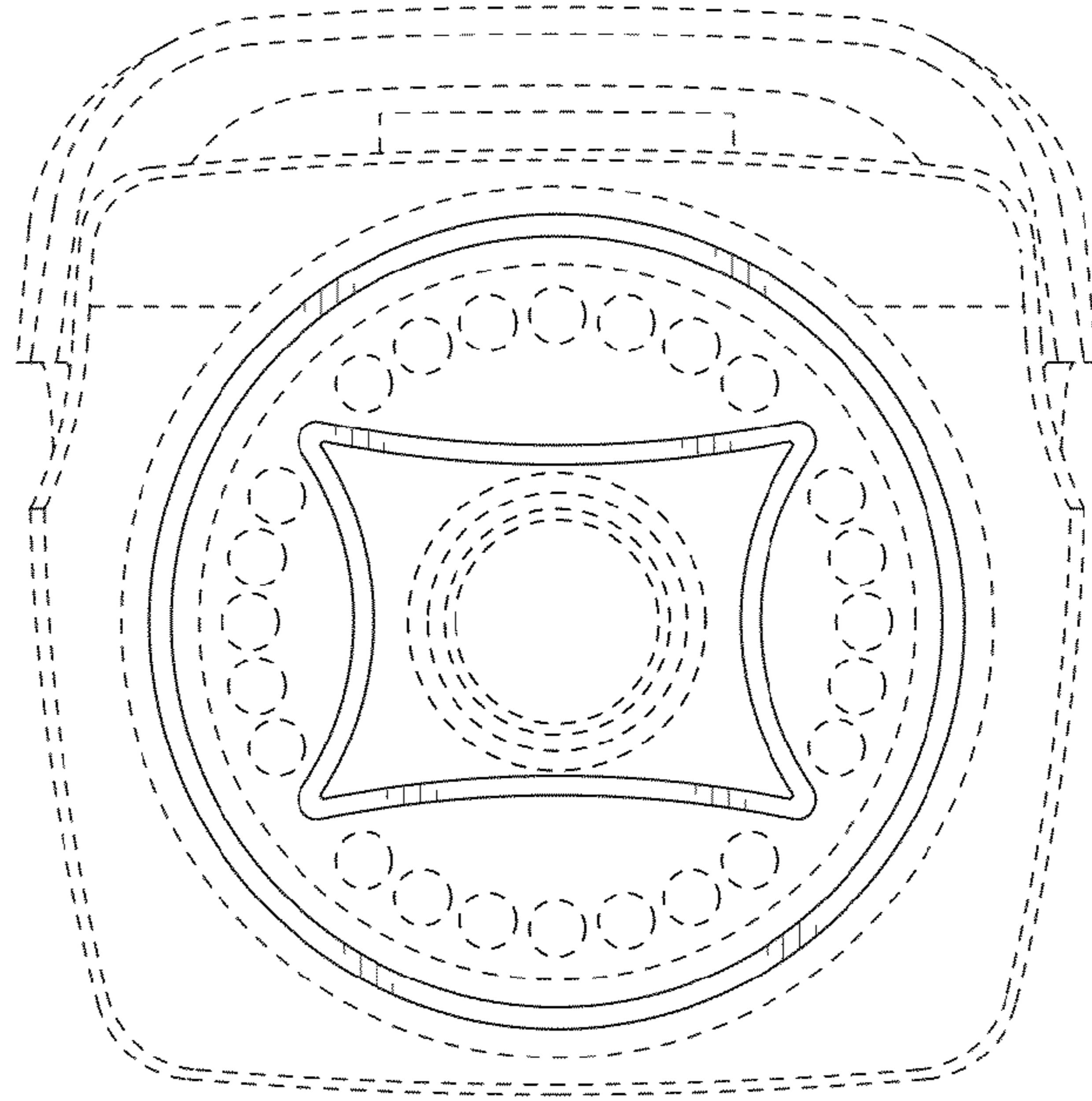


FIG.3

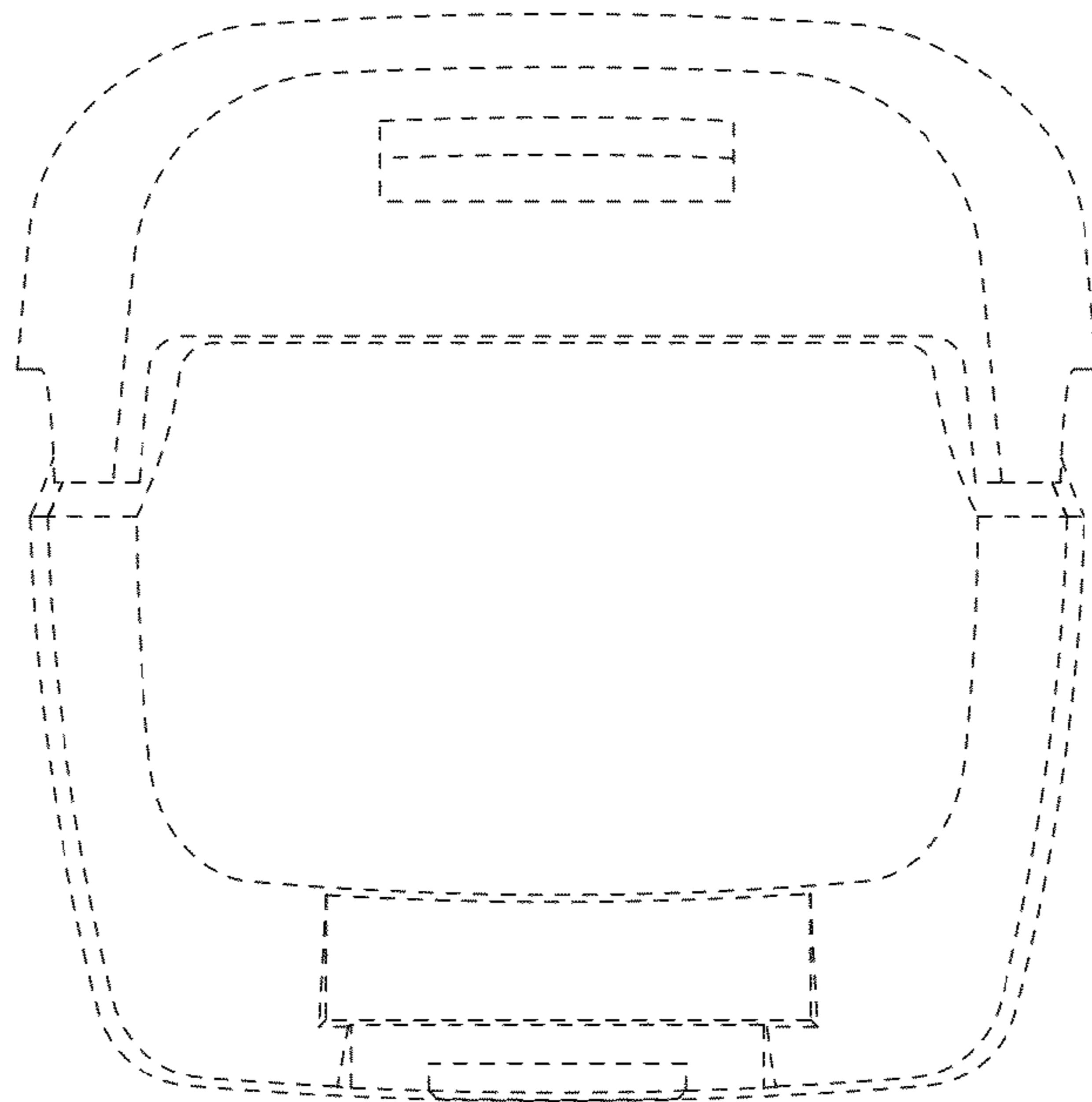


FIG.4

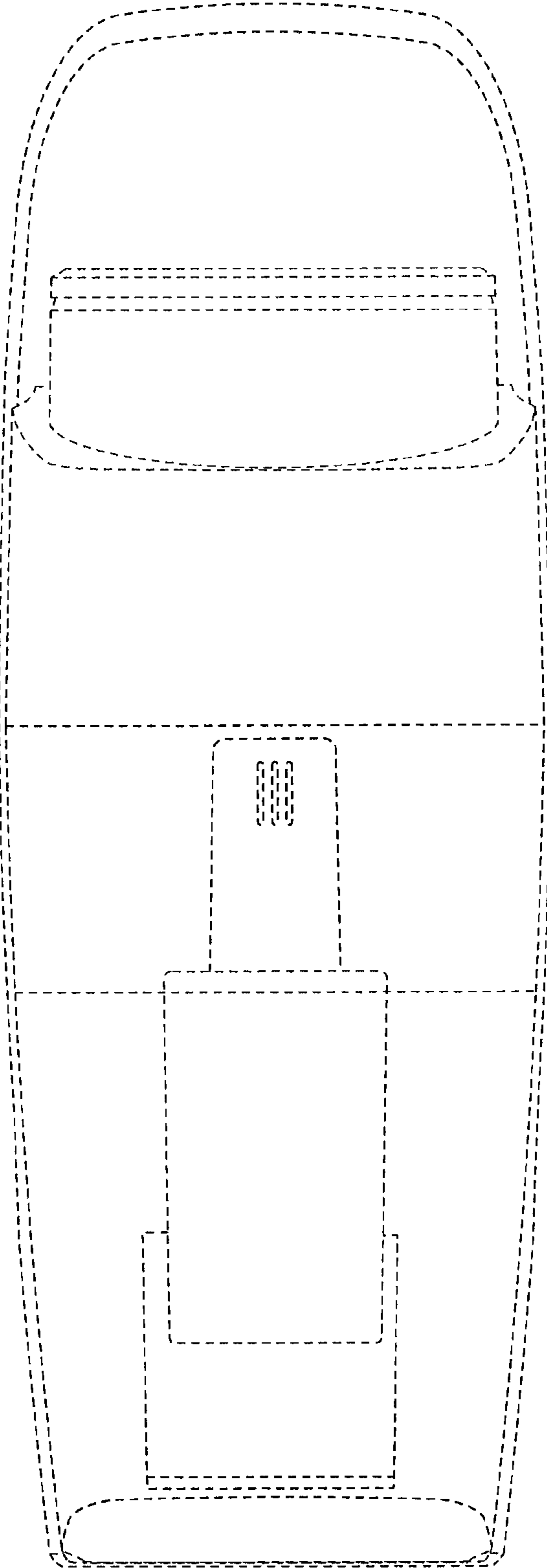


FIG.5

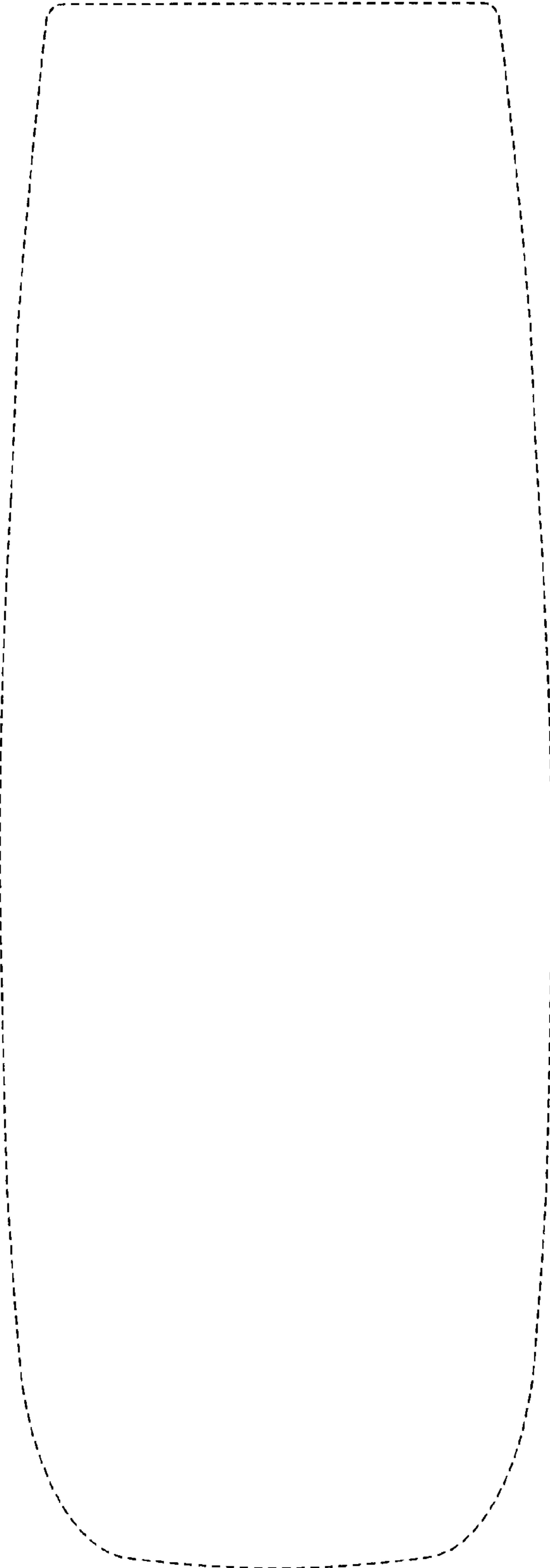


FIG.6

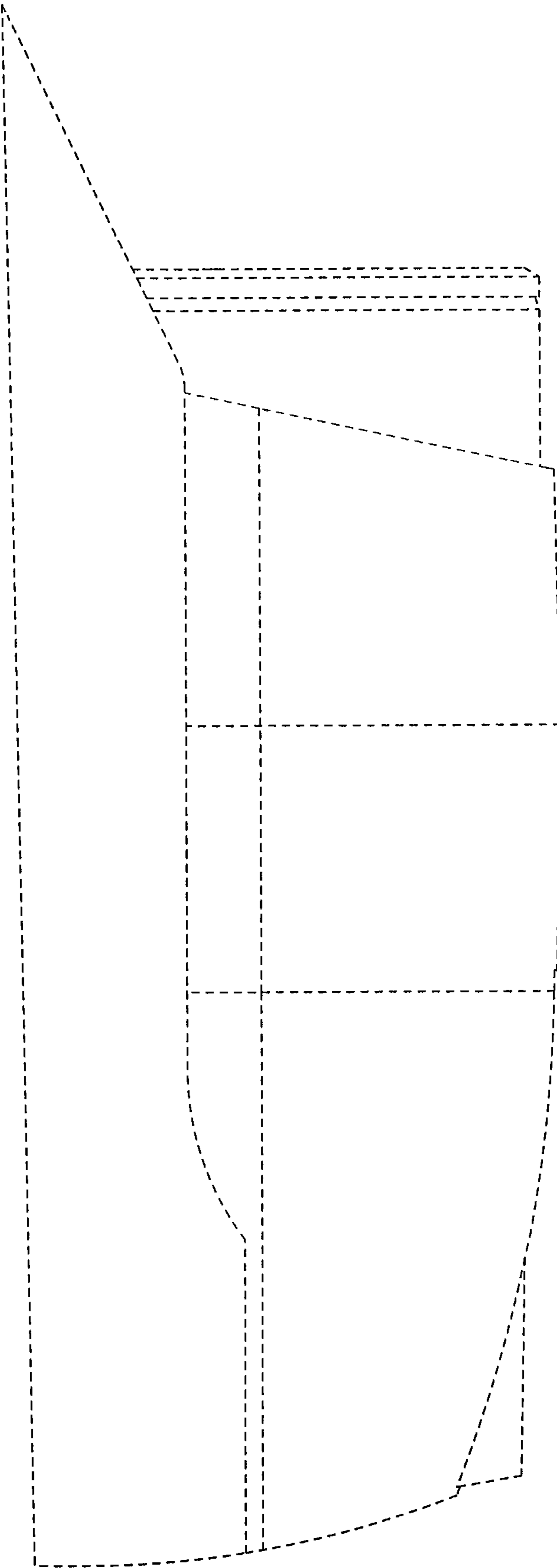


FIG. 7

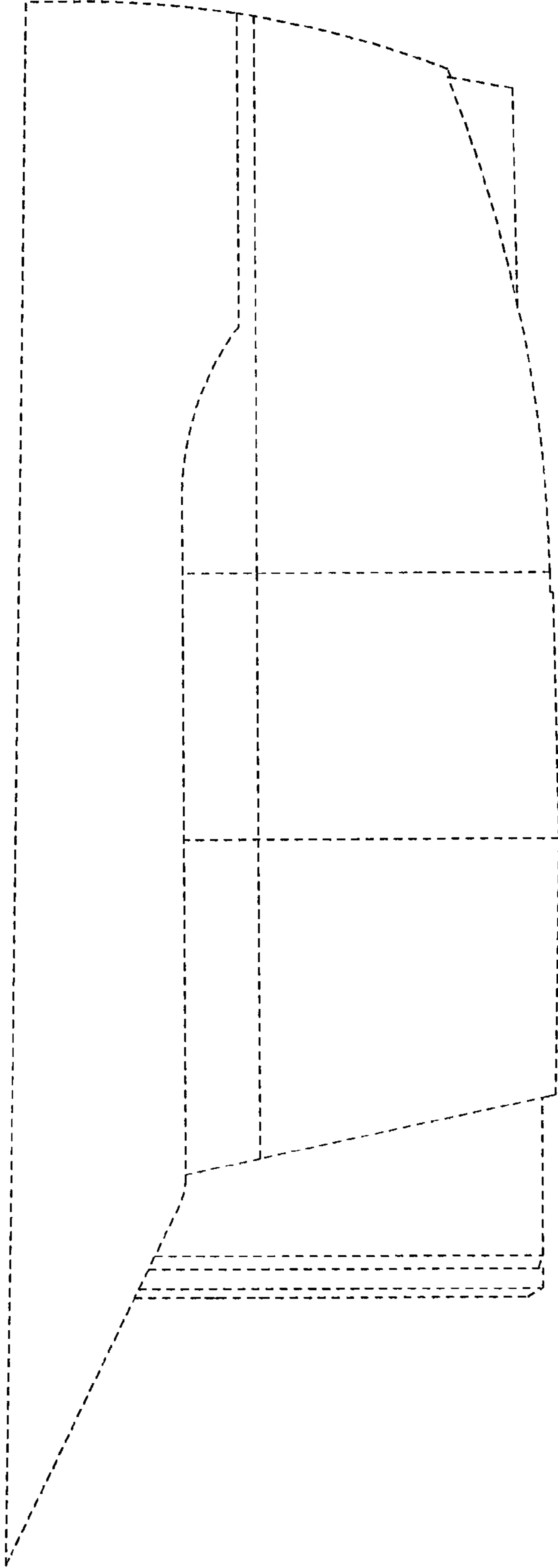


FIG.8

