



US00D715844S

(12) **United States Design Patent**
Cooper

(10) **Patent No.:** **US D715,844 S**
(45) **Date of Patent:** **** Oct. 21, 2014**

(54) **MAGNIFYING CONTAINER**
(71) Applicant: **Seneca S. Cooper**, Paulsboro, NJ (US)
(72) Inventor: **Seneca S. Cooper**, Paulsboro, NJ (US)
(**) Term: **14 Years**
(21) Appl. No.: **29/465,302**
(22) Filed: **Aug. 26, 2013**
(51) **LOC (10) Cl.** **16-06**
(52) **U.S. Cl.**
USPC **D16/135**
(58) **Field of Classification Search**
CPC G02B 25/002
USPC D16/130, 135, 137, 227; D32/53, 53.1;
D21/472, 483; 446/75, 77; 220/762;
206/316.1; 40/363; 359/802, 803, 809,
359/810, 811, 816, 818
See application file for complete search history.

D398,663 S 9/1998 Frelander
6,023,382 A 2/2000 Hollingsworth et al.
D421,762 S * 3/2000 Shirley et al. D16/227
D471,926 S * 3/2003 Allen D16/135
D472,912 S * 4/2003 Allen D16/135
D475,380 S * 6/2003 Kalish D16/135
D494,610 S * 8/2004 Allen D16/135
D505,688 S 5/2005 Allen
6,888,673 B2 5/2005 Reynolds

(Continued)

Primary Examiner — Paula Greene

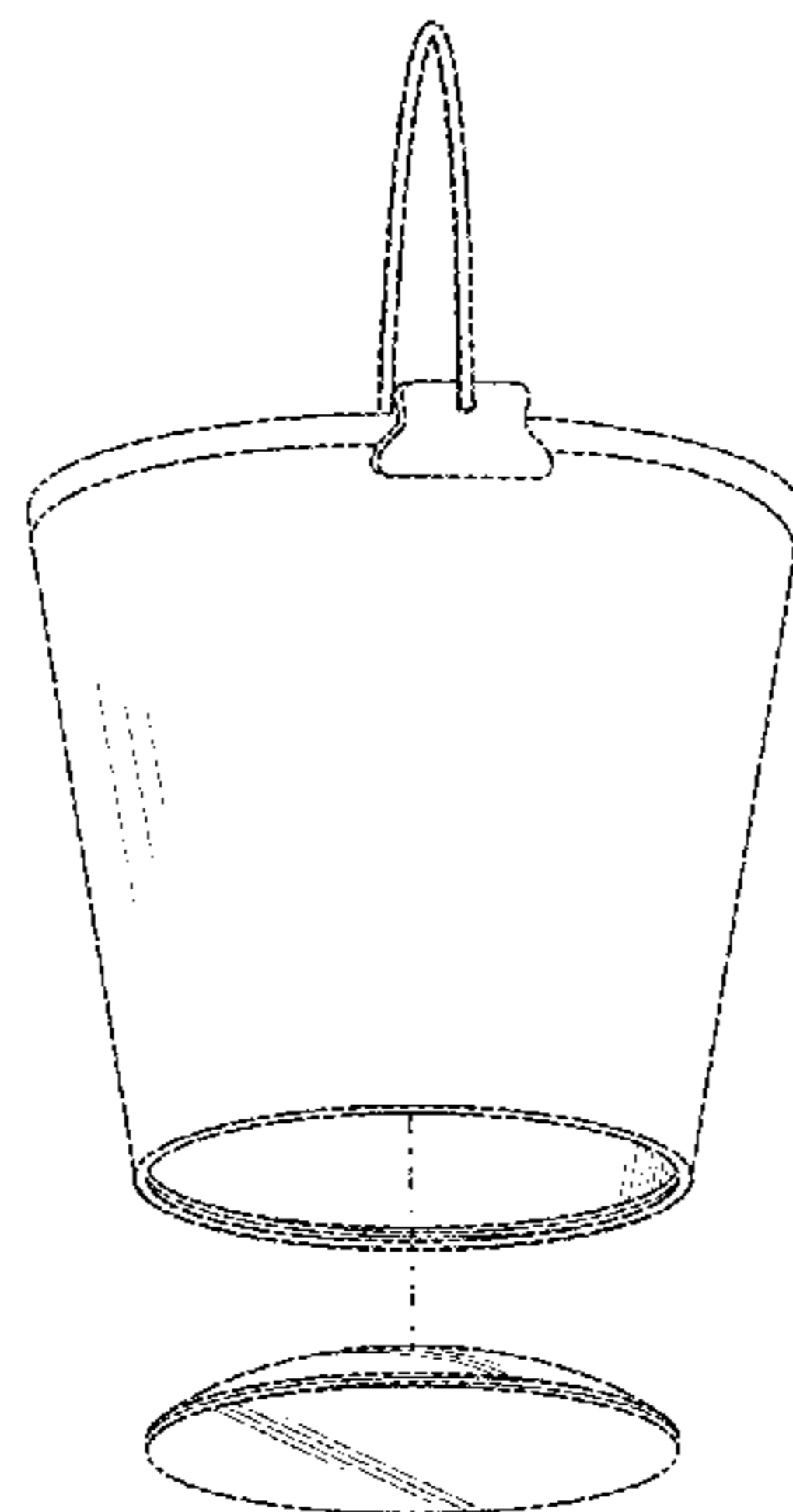
(57) **CLAIM**
The ornamental design for a magnifying container, as shown and described.

DESCRIPTION

FIG. 1 is a bottom perspective view of an ornamental design for a magnifying container comprising a magnifying lens and a truncated cone shaped member, where the magnifying lens is threadably engaged to a bottom inner periphery of the truncated cone shaped member;
FIG. 2 is a partial exploded view thereof, showing a threaded section at the bottom inner periphery of the truncated cone shaped member configured to threadably engage the magnifying lens;
FIG. 3 is a top perspective view thereof;
FIG. 4 is a front elevation view thereof;
FIG. 5 is a sectional view of the magnifying container taken along a section A-A in FIG. 4;
FIG. 6 is a top plan view thereof, showing a handle member of the magnifying container in a lowered position;
FIG. 7 is a bottom view thereof, showing the handle member of the magnifying container in a lowered position; and,
FIG. 8 is a top plan view thereof, showing the magnifying container being used to magnify aquatic elements such as starfish, shells, etc.
The broken line showing of the starfish, shells, etc., in FIG. 8 is for the purpose of illustrating environment and forms no part of the claimed design.

(56) **References Cited**
U.S. PATENT DOCUMENTS
332,043 A * 12/1885 Brien 220/698
D35,769 S * 2/1902 Wells D16/135
1,451,096 A 4/1923 Hagen et al.
2,730,921 A 1/1956 Little et al.
3,359,677 A 12/1967 Hepler et al.
3,410,635 A * 11/1968 Lockwood 359/804
D215,622 S * 10/1969 Alaska D16/135
D221,482 S * 8/1971 Alaska D16/135
3,619,042 A 11/1971 Lazar
3,656,840 A * 4/1972 Smith et al. 359/804
D271,988 S 12/1983 Rivollet
4,630,744 A * 12/1986 Trombly 220/604
D292,836 S * 11/1987 Juergens D32/53
4,765,472 A 8/1988 Dent
4,844,595 A 7/1989 Nealy
4,856,673 A 8/1989 Thompson
D318,079 S * 7/1991 Laib et al. D21/472
D321,382 S 11/1991 Laib et al.
D374,043 S 9/1996 Ryaa et al.
D390,584 S * 2/1998 Layton D16/134

1 Claim, 7 Drawing Sheets



US D715,844 S

Page 2

(56)

References Cited

U.S. PATENT DOCUMENTS

D508,932 S *	8/2005	Yeung	D16/135	
D509,523 S *	9/2005	Yeung	D16/135	* cited by examiner
D567,300 S	4/2008	Kramer		
D643,451 S *	8/2011	Supiot	D16/135	
2002/0085290 A1 *	7/2002	Taylor	359/803	

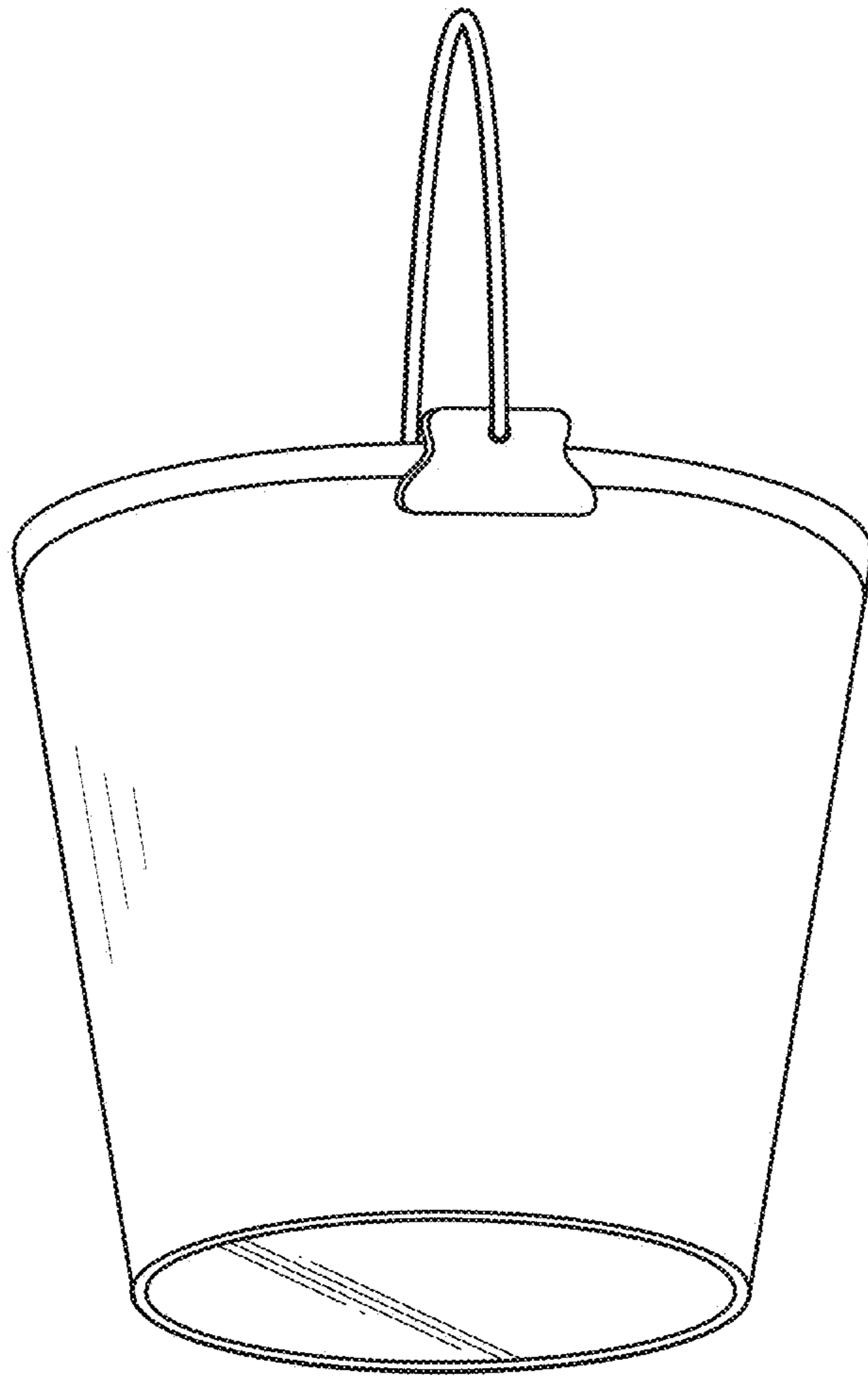


FIG. 1

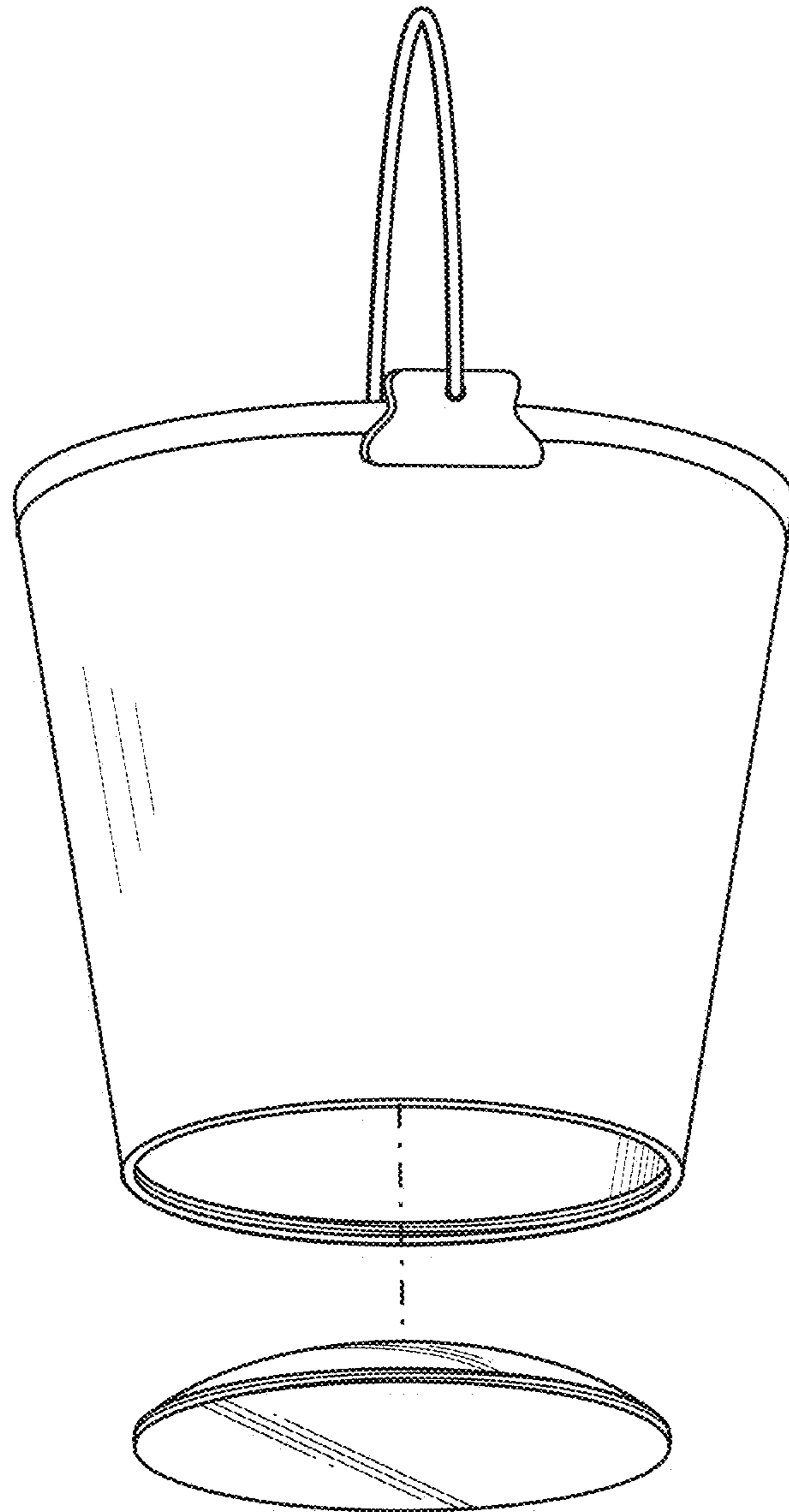


FIG. 2

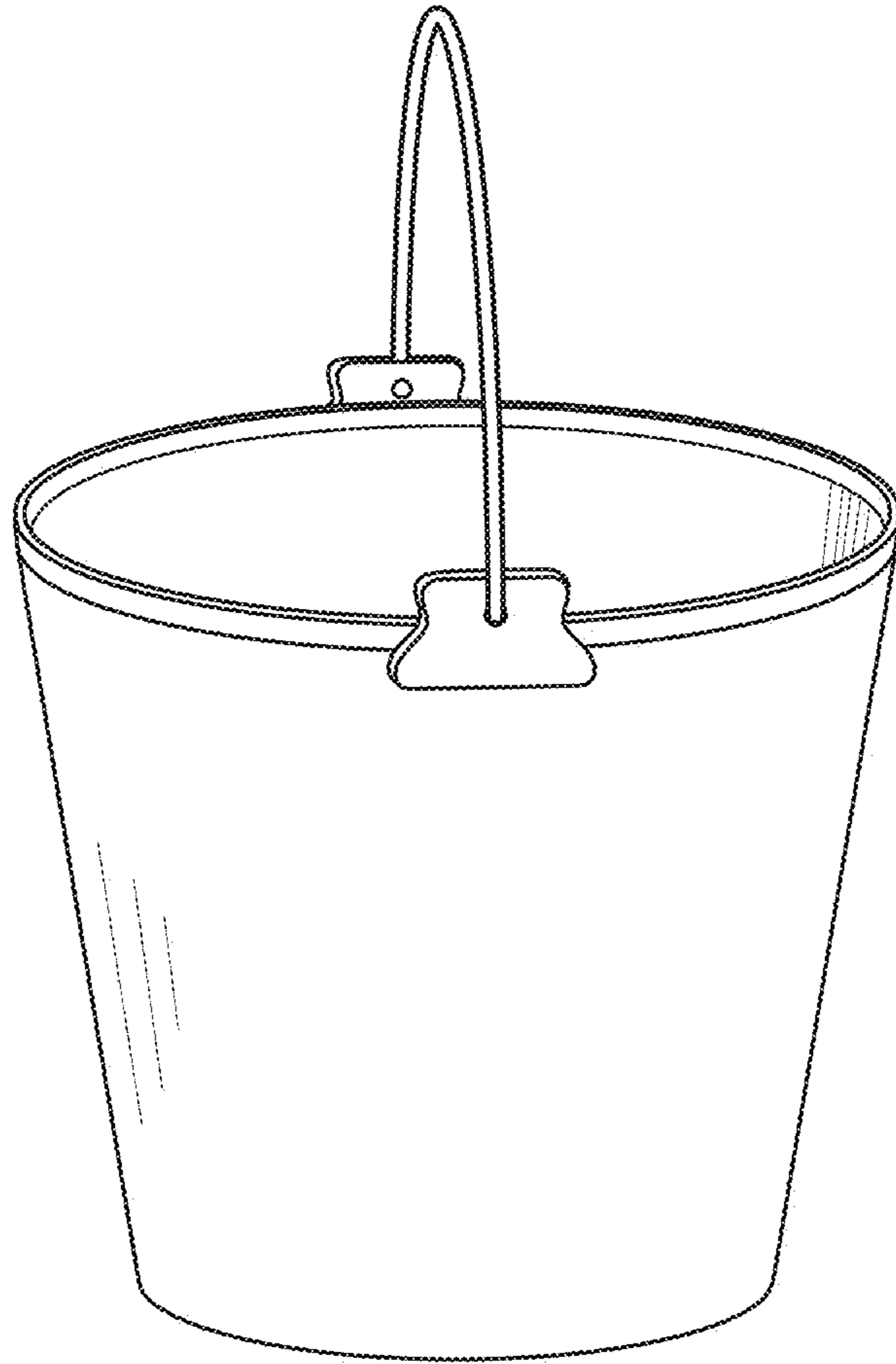


FIG. 3

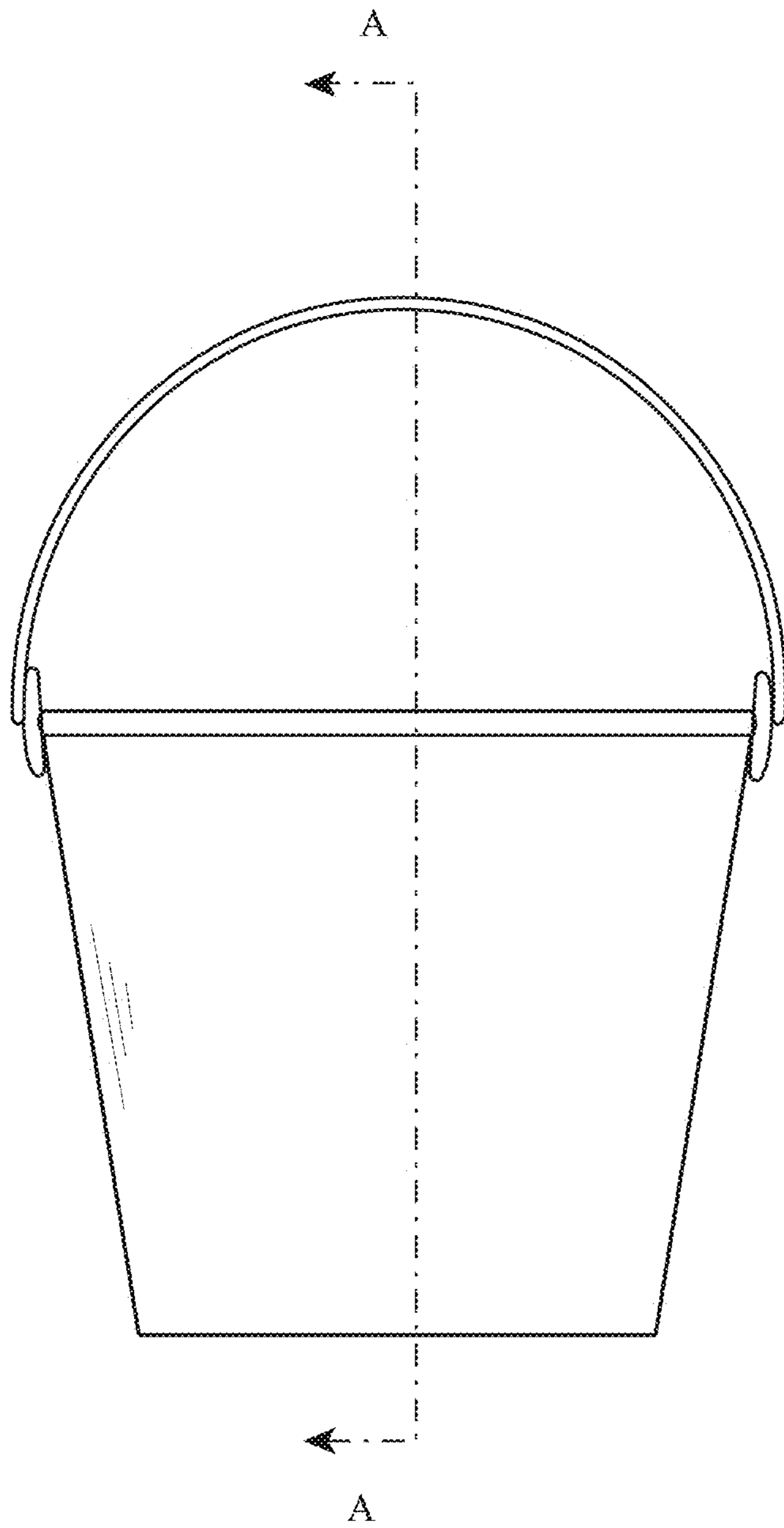


FIG. 4

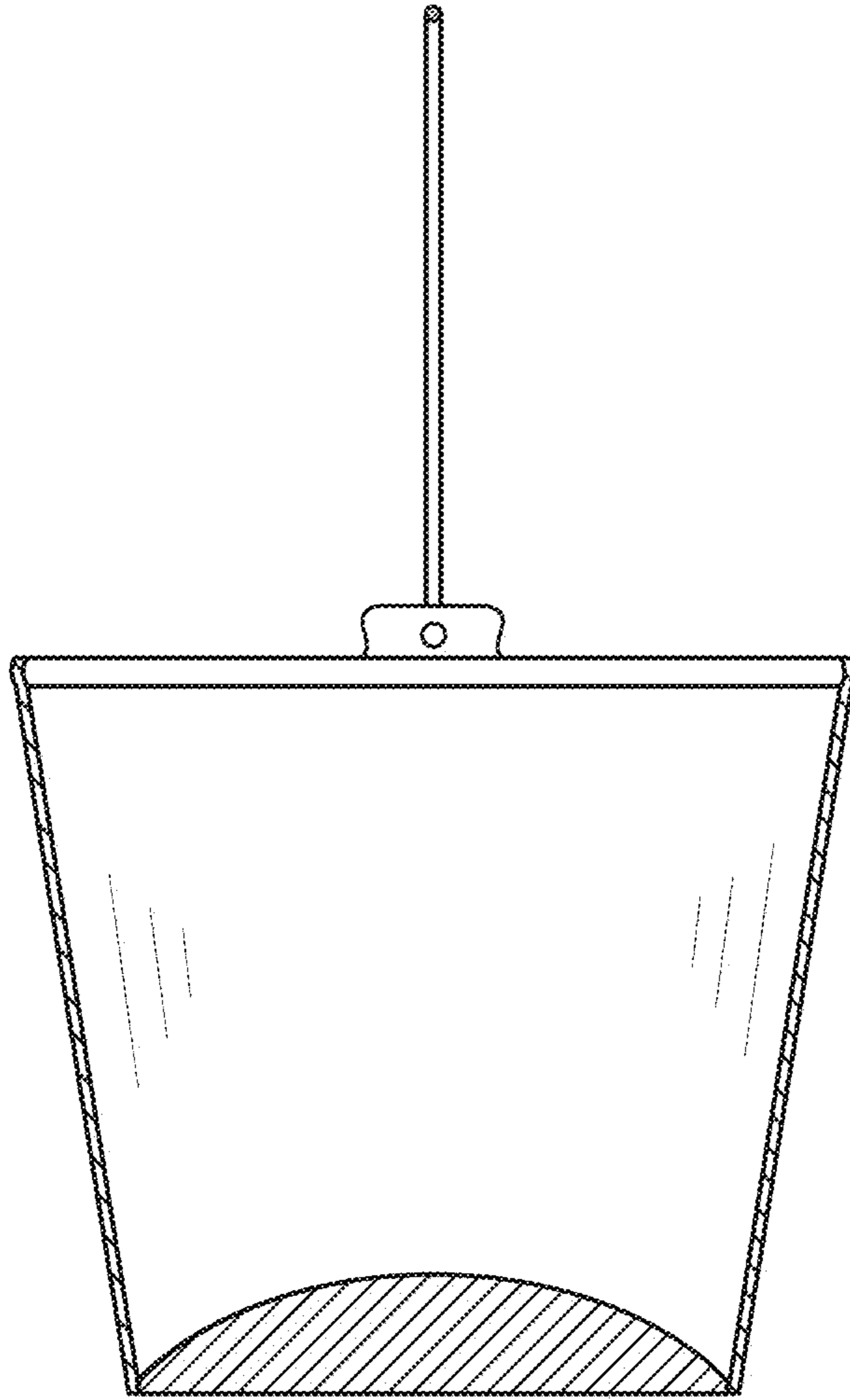


FIG. 5

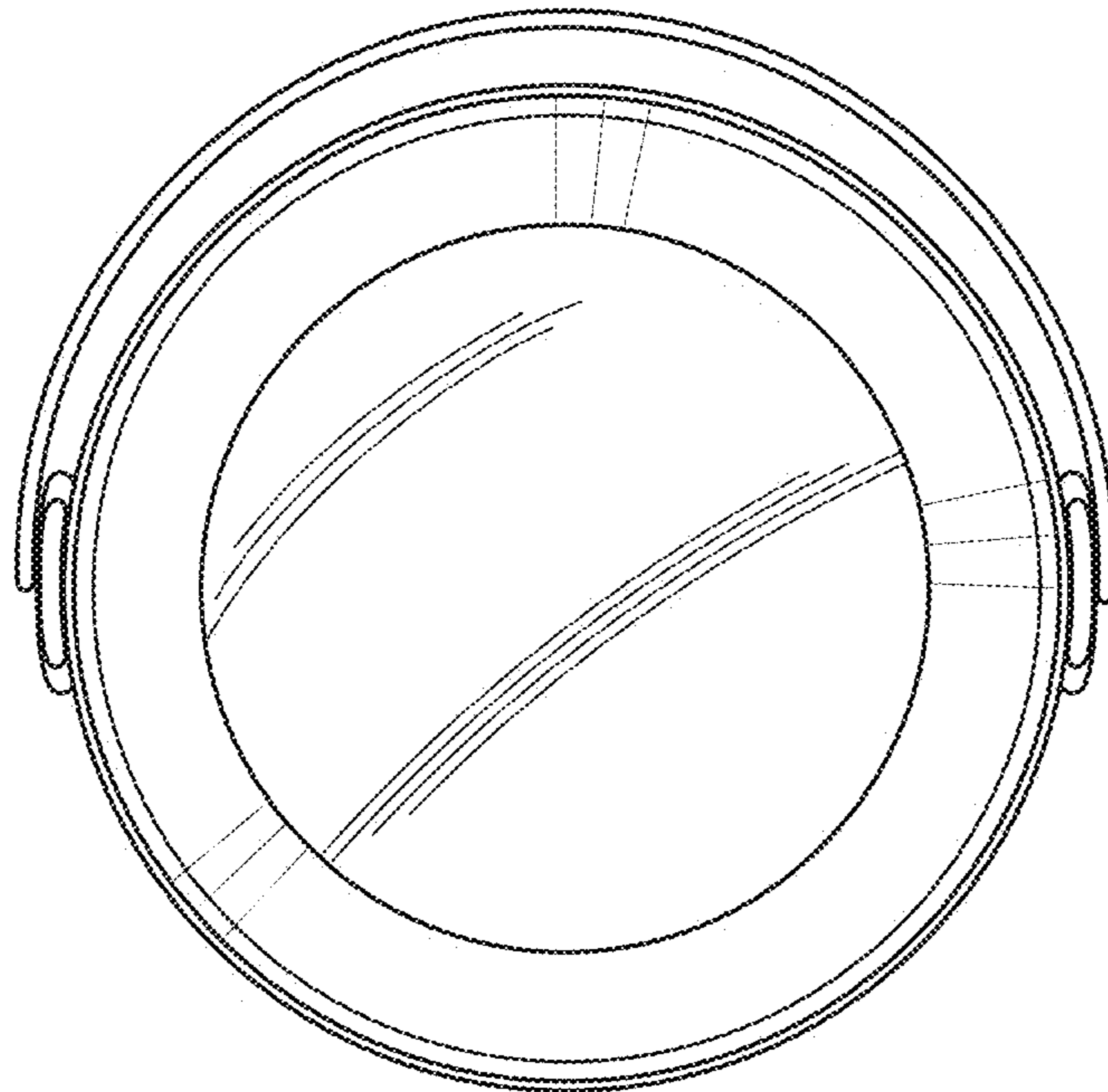


FIG. 6

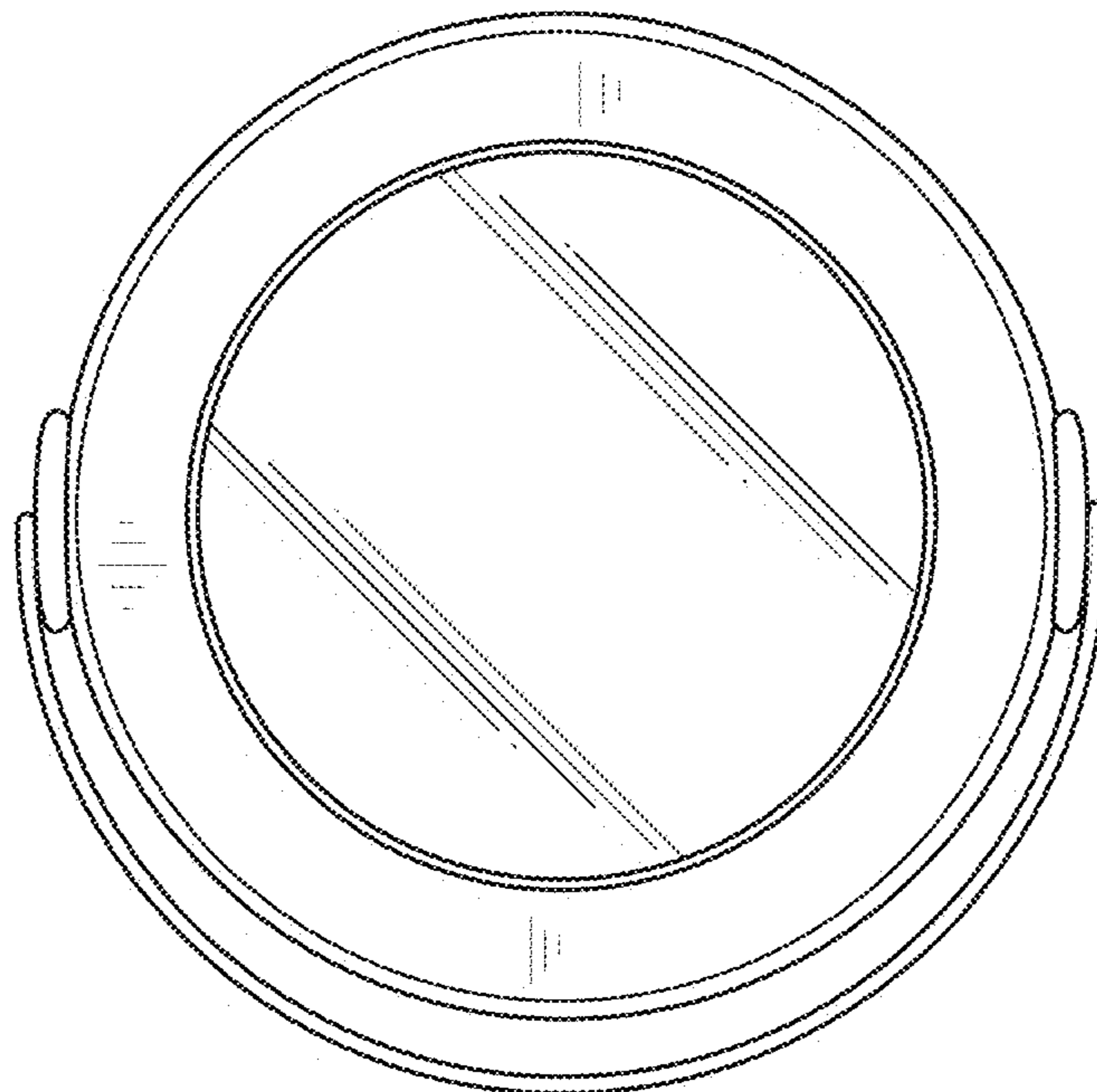


FIG. 7

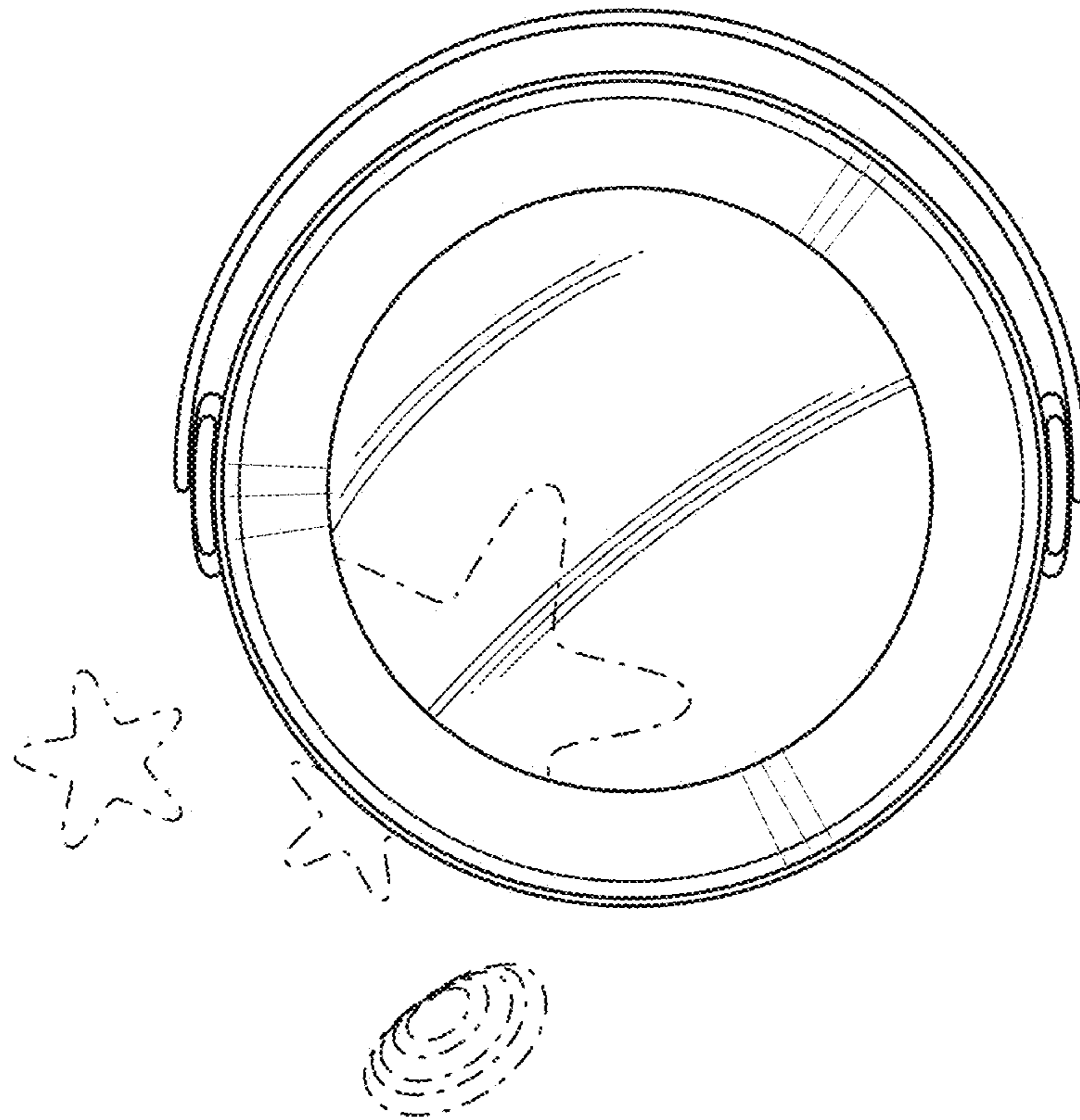


FIG. 8