



US00D715843S

(12) **United States Design Patent**  
**Kawai**

(10) **Patent No.:** **US D715,843 S**  
(45) **Date of Patent:** **\*\* Oct. 21, 2014**

(54) **MASS MICROSCOPE**

(71) Applicant: **Shimadzu Corporation**, Kyoto (JP)

(72) Inventor: **Jun Kawai**, Kyoto (JP)

(73) Assignee: **Shimadzu Corporation**, Kyoto (JP)

(\*\*) Term: **14 Years**

(21) Appl. No.: **29/453,477**

(22) Filed: **Apr. 30, 2013**

(30) **Foreign Application Priority Data**

Feb. 22, 2013 (JP) ..... 2013-003667

(51) **LOC (10) Cl.** ..... **16-06**

(52) **U.S. Cl.**  
USPC ..... **D16/131**

(58) **Field of Classification Search**  
CPC ..... H01J 37/26  
USPC ..... D16/130, 131; D24/172, 232, 216, 107;  
D15/85, 86, 87, 89; D6/641, 653.1,  
D6/653.23; D10/81; D99/41, 43, 34, 35;  
312/405, 116, 407.1, 409; D18/4.4;  
250/311; 359/368, 390

See application file for complete search history.

(56) **References Cited**

**U.S. PATENT DOCUMENTS**

D141,832 S \* 7/1945 Holley ..... D16/131  
D228,454 S \* 9/1973 Amar ..... D10/81  
D244,355 S \* 5/1977 Mazie et al. .... D9/432  
D277,979 S \* 3/1985 Brown et al. .... D10/81  
D319,307 S \* 8/1991 Sakagami et al. .... D24/232  
D320,073 S \* 9/1991 Sakagami et al. .... D24/232  
D332,616 S \* 1/1993 Hashimoto et al. .... D16/131  
D354,354 S \* 1/1995 Yamashita et al. .... D24/186

D377,455 S \* 1/1997 Burchard et al. .... D10/81  
D418,596 S \* 1/2000 Doms et al. .... D24/107  
D445,509 S \* 7/2001 Berndt et al. .... D24/232  
D571,385 S \* 6/2008 Onuma et al. .... D16/131  
D571,480 S \* 6/2008 Beck et al. .... D24/232  
D591,864 S \* 5/2009 Schmidt ..... D24/216  
D599,688 S \* 9/2009 Ito ..... D10/81  
D623,211 S \* 9/2010 Oonuma et al. .... D16/131  
D626,579 S \* 11/2010 Oonuma et al. .... D16/131  
D632,323 S \* 2/2011 Oonuma et al. .... D16/131  
D633,537 S \* 3/2011 Oonuma et al. .... D16/131  
D633,538 S \* 3/2011 Oonuma et al. .... D16/131  
D636,005 S \* 4/2011 Oonuma et al. .... D16/131  
D656,978 S \* 4/2012 Stoiakine ..... D16/131  
D669,189 S \* 10/2012 Liu et al. .... D24/216  
D674,830 S \* 1/2013 Stoiakine ..... D16/131  
D708,245 S \* 7/2014 Matoba et al. .... D16/131

\* cited by examiner

*Primary Examiner* — Paula Greene

(74) *Attorney, Agent, or Firm* — Jianq Chyun IP Office

(57) **CLAIM**

The ornamental design for a mass microscope, as shown and described.

**DESCRIPTION**

FIG. 1 is a perspective view of a mass microscope showing my new design;

FIG. 2 is a front view thereof;

FIG. 3 is a rear view thereof;

FIG. 4 is a left side view thereof;

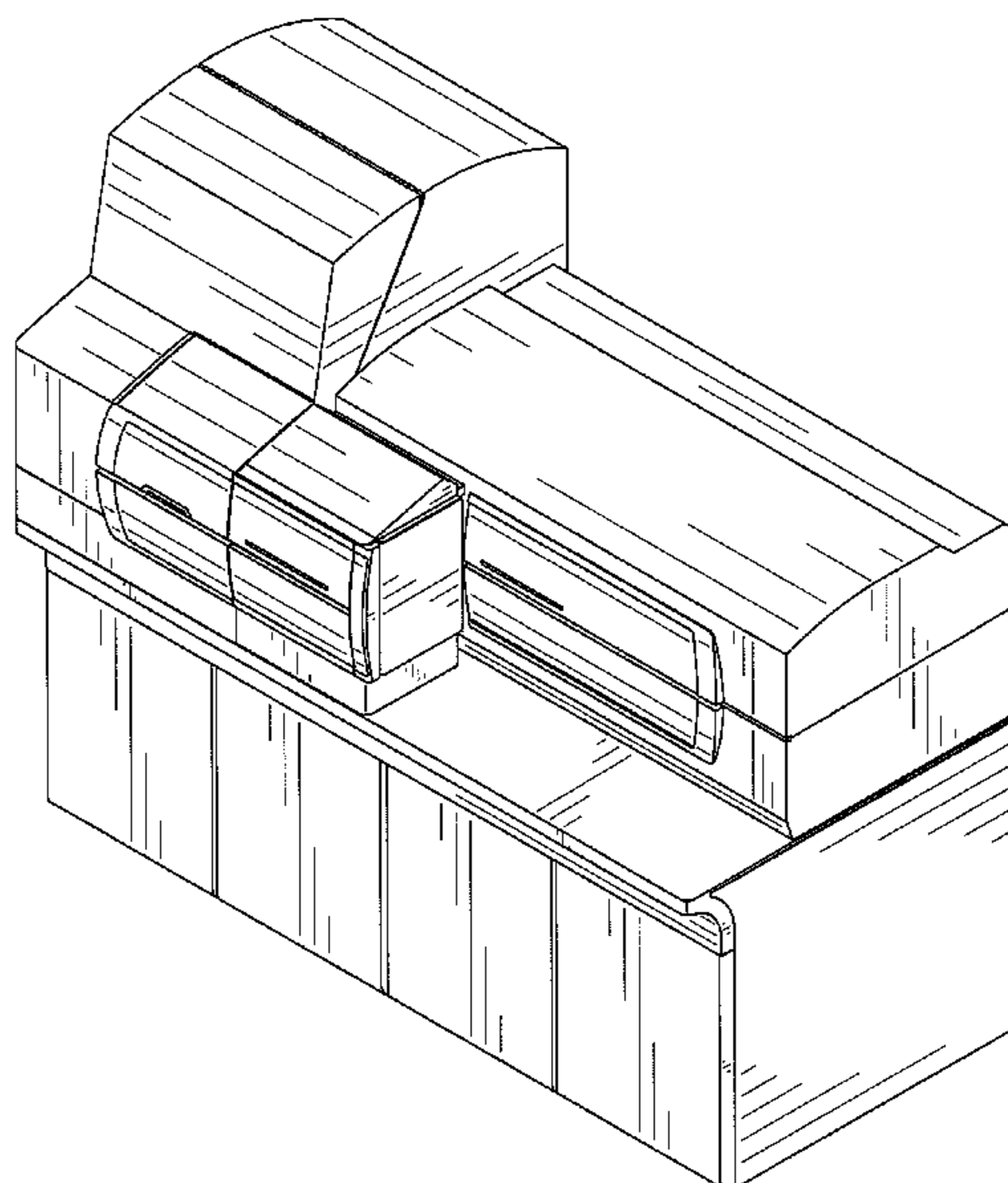
FIG. 5 is a right side view thereof;

FIG. 6 is a top view thereof; and,

FIG. 7 is a bottom view thereof.

The broken line portions of the mass microscope present unclaimed portions of the claimed design and form no part thereof.

**1 Claim, 7 Drawing Sheets**



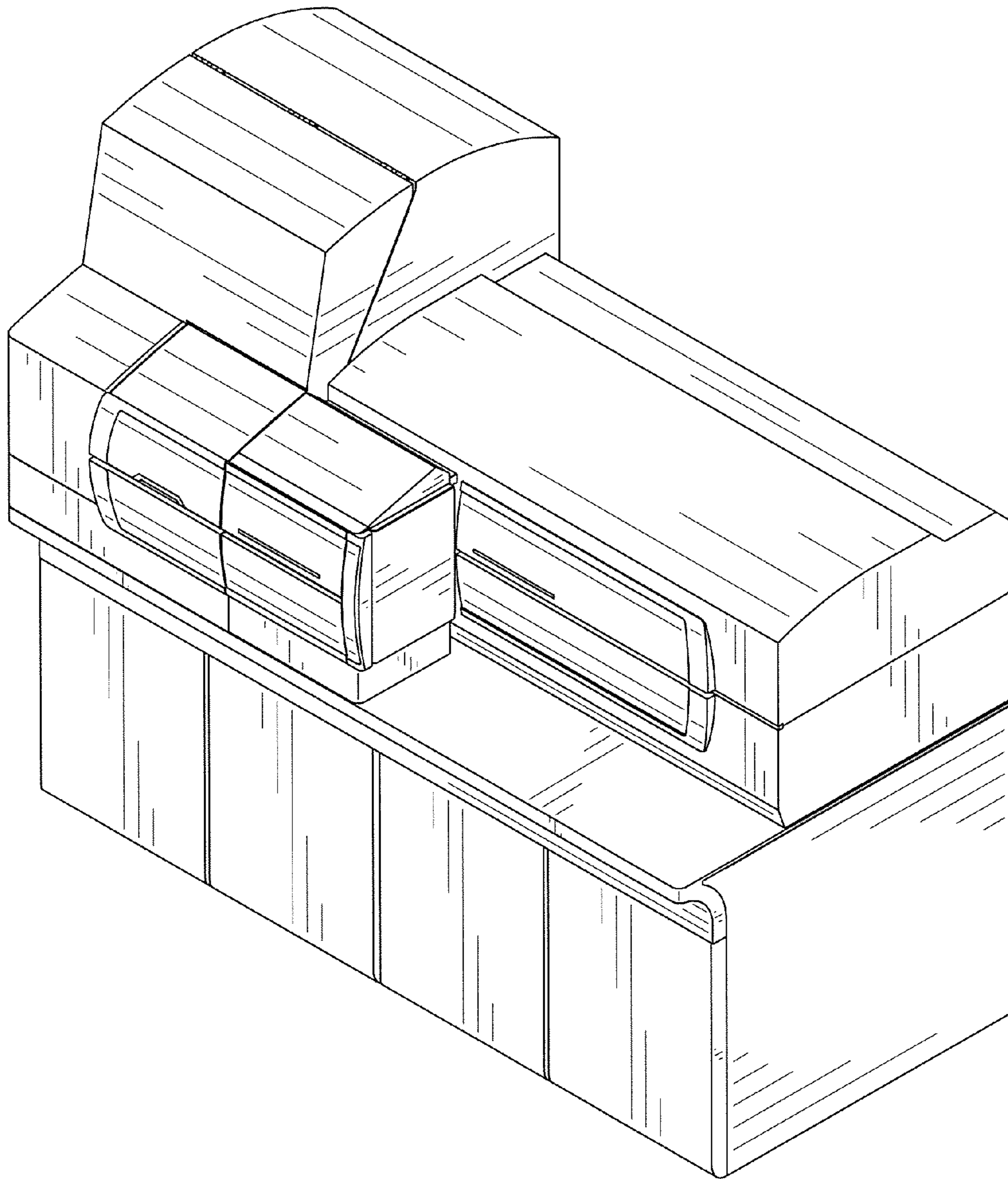


FIG. 1

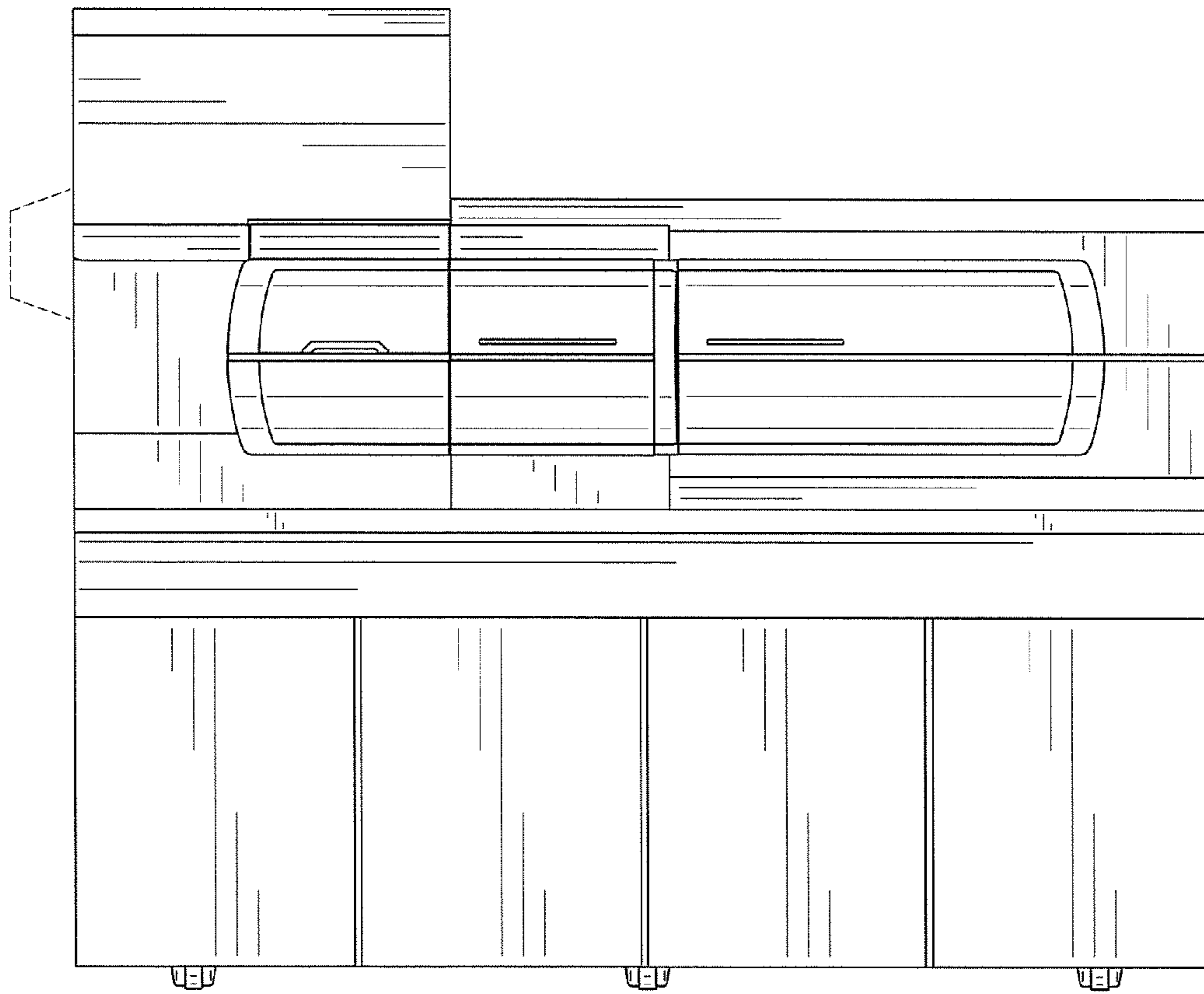


FIG. 2

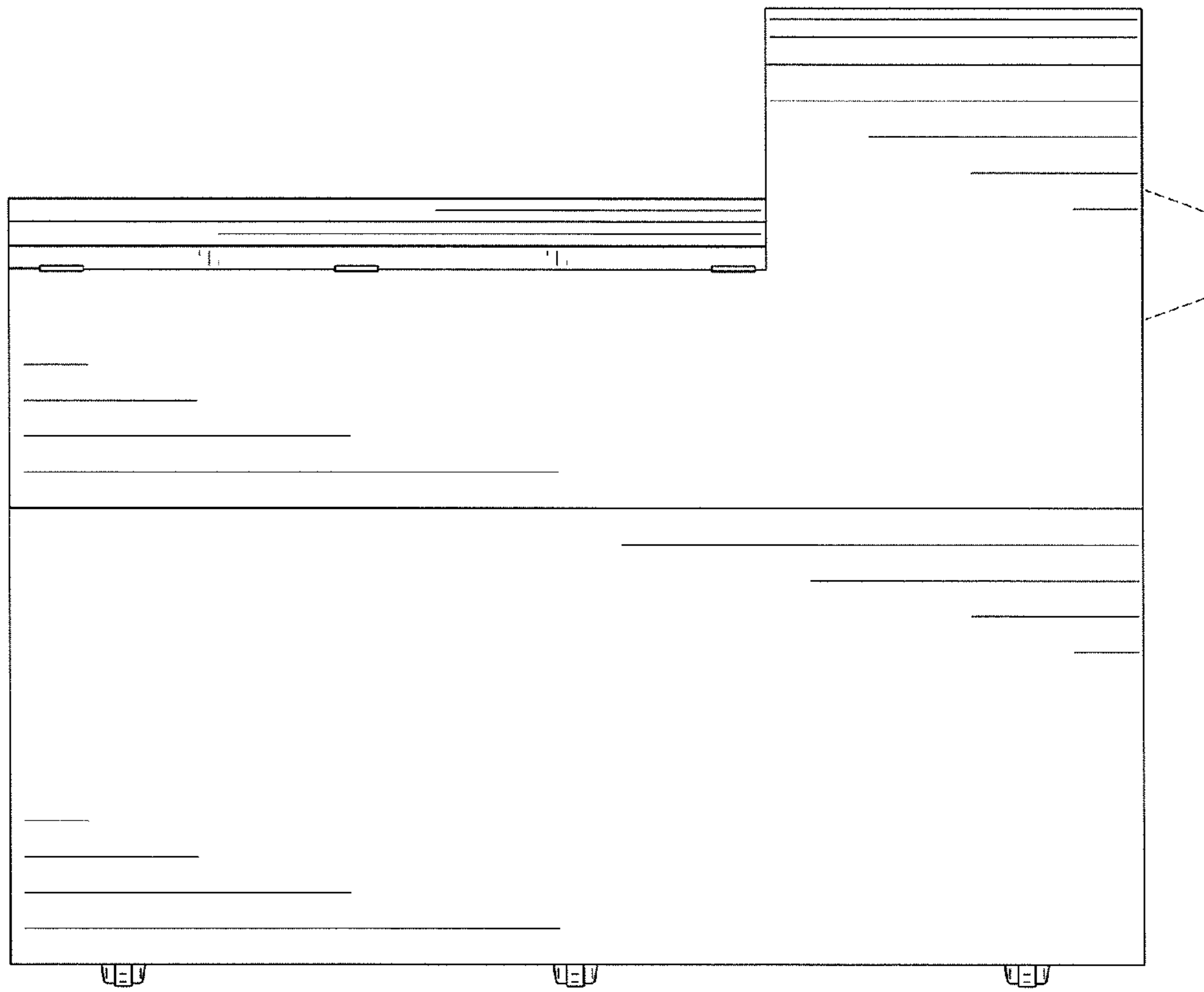


FIG. 3

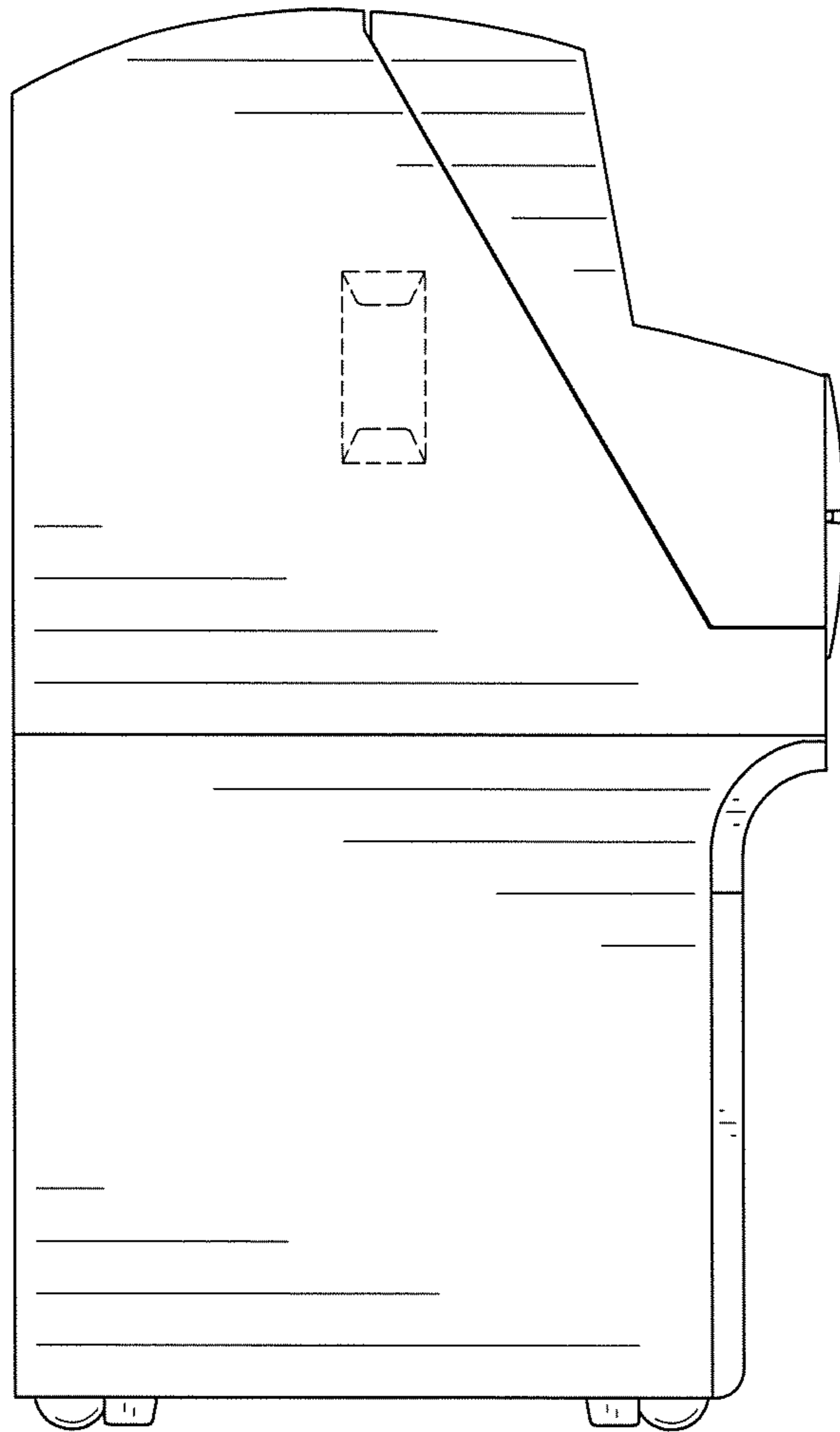


FIG. 4

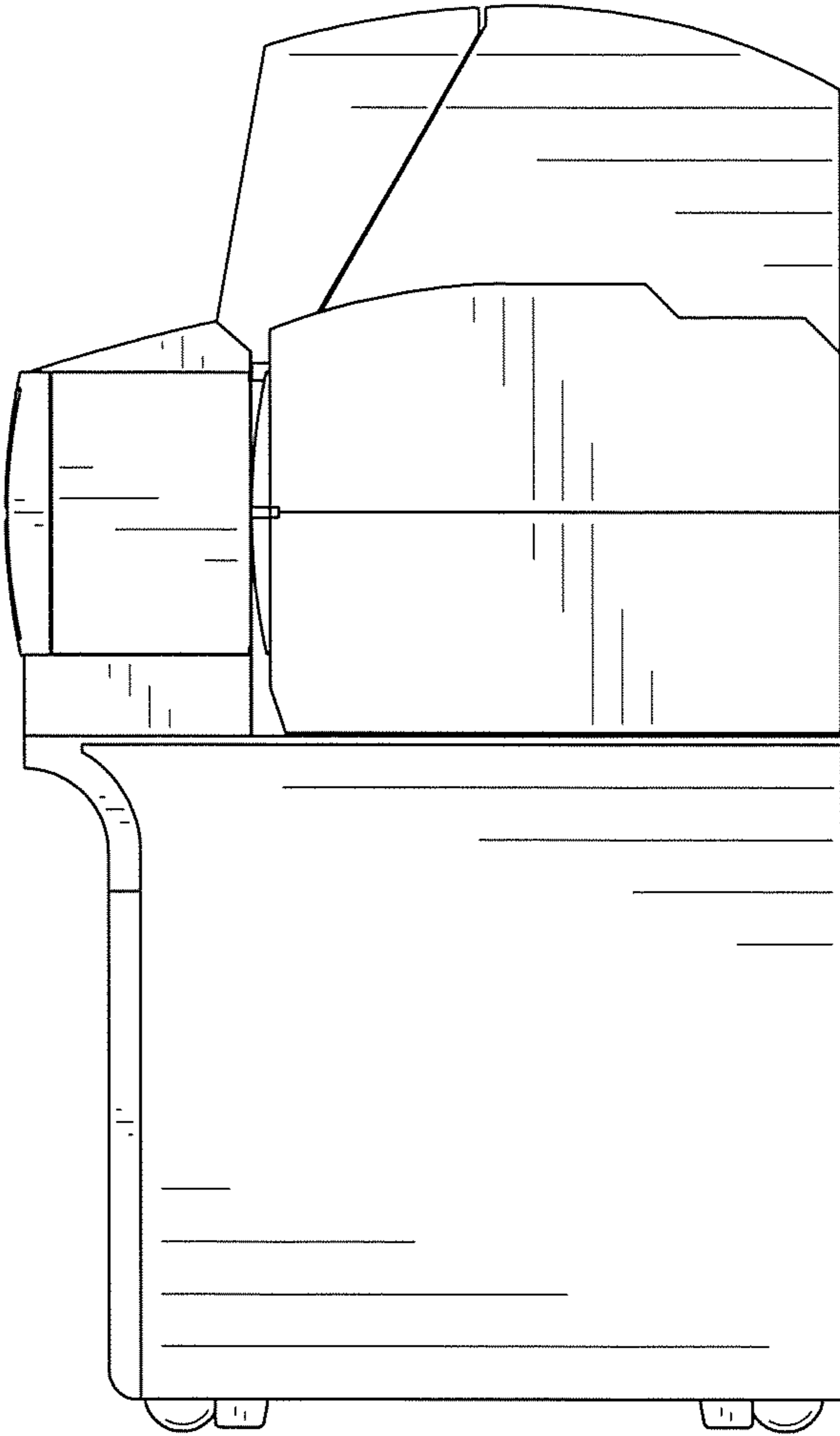


FIG. 5

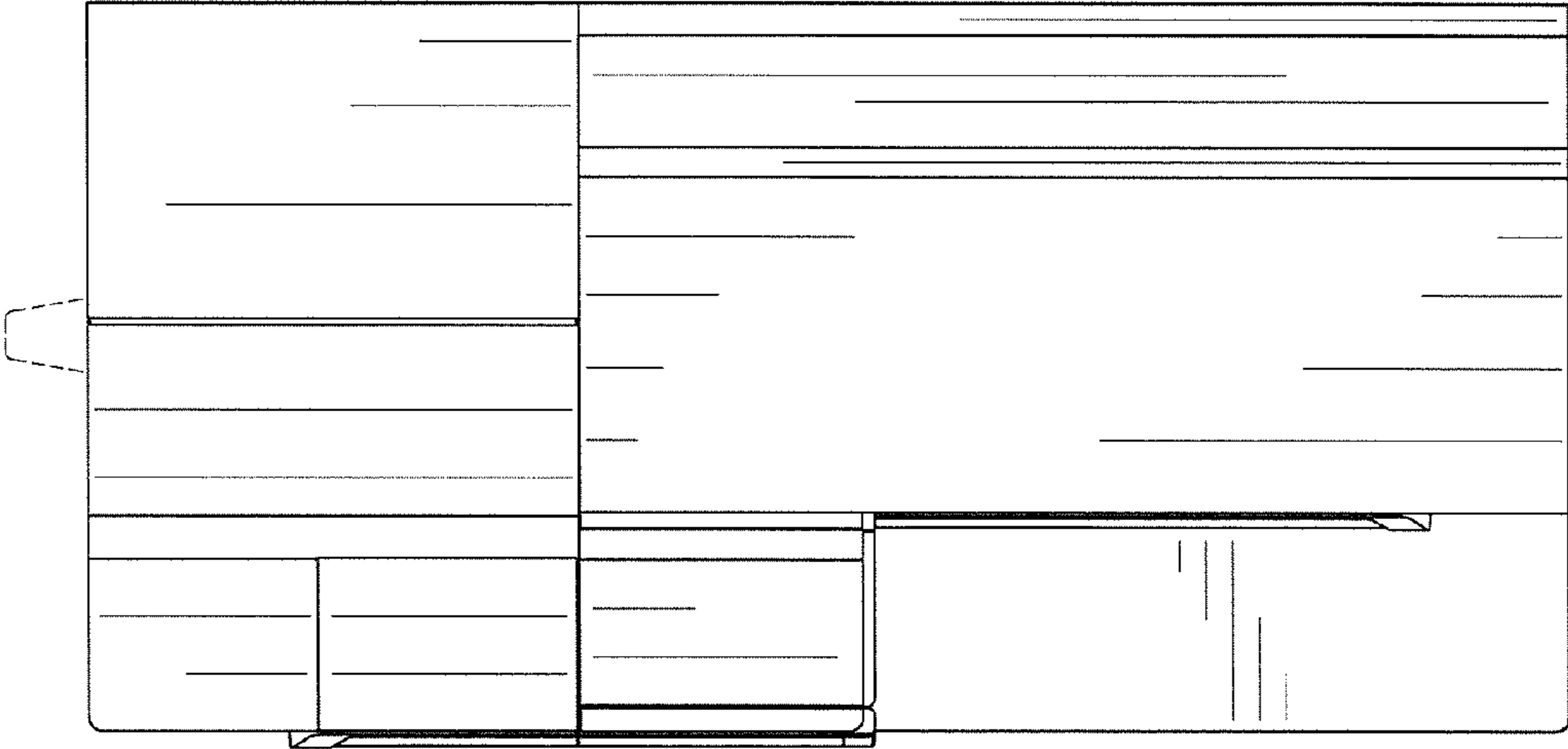


FIG. 6

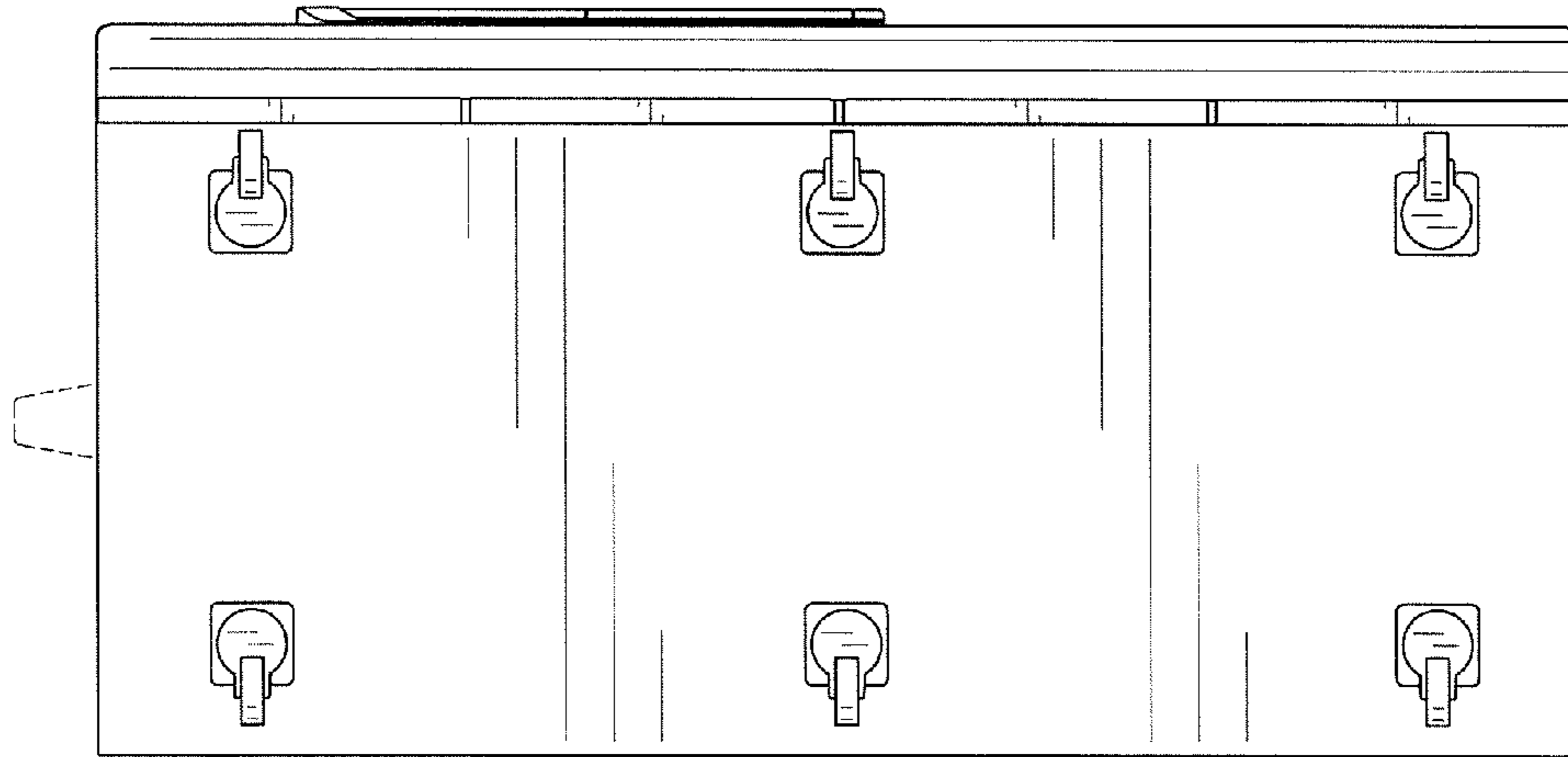


FIG. 7