



US00D715842S

(12) **United States Design Patent**
Smith

(10) **Patent No.:** **US D715,842 S**
(45) **Date of Patent:** **** Oct. 21, 2014**

(54) **FUNNEL RECEPTACLE**
(71) Applicant: **Derrick R. Smith**, Hartsville, SC (US)
(72) Inventor: **Derrick R. Smith**, Hartsville, SC (US)
(**) Term: **14 Years**
(21) Appl. No.: **29/454,217**
(22) Filed: **May 8, 2013**
(51) **LOC (10) Cl.** **15-02**
(52) **U.S. Cl.**
USPC **D15/152; D23/286**
(58) **Field of Classification Search**
USPC D15/150-152; D23/284, 286, 287, 308;
4/630, 619, 637, 629, 641, 640;
D6/654, 654.1, 698, 699.1, 699.2;
D34/17; 141/339, 340, 364; 184/106,
184/109, 1.5; 206/223
See application file for complete search history.

5,213,402 A * 5/1993 Bernal et al. 232/43.1
D341,366 S * 11/1993 Tricarico et al. D15/150
5,339,676 A * 8/1994 Johnson 141/86
5,414,880 A * 5/1995 Drath 4/641
D377,658 S * 1/1997 Adamson et al. D15/150
D401,602 S * 11/1998 Alvern et al. D15/151
D409,207 S * 5/1999 Alvern et al. D15/151
6,345,692 B1 * 2/2002 Wilson 184/1.5
D482,105 S * 11/2003 Rasic et al. D23/286
D560,777 S * 1/2008 Hanna D23/293.1
D653,745 S * 2/2012 Gregg et al. D23/386
D676,944 S * 2/2013 Schindler D23/286

* cited by examiner

Primary Examiner — Robert Delehanty
(74) *Attorney, Agent, or Firm* — Robert C. Montgomery;
Montgomery Patent & Design

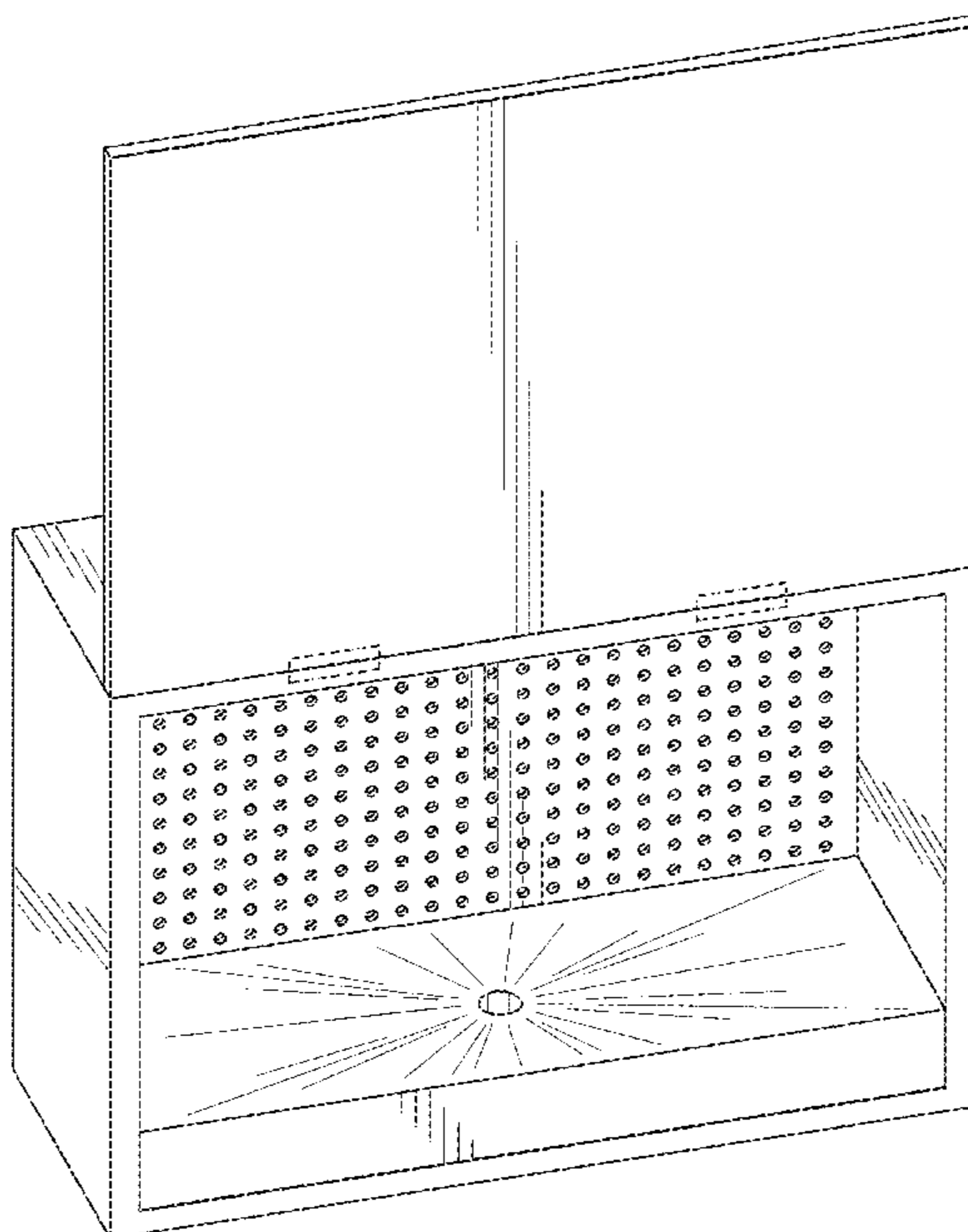
(57) **CLAIM**
The ornamental design for a funnel receptacle, as shown and described.

(56) **References Cited**
U.S. PATENT DOCUMENTS
D142,687 S * 10/1945 Ayres D15/152
4,054,184 A * 10/1977 Marcinko 184/1.5
4,099,598 A 7/1978 Clinard
D248,845 S * 8/1978 White et al. D34/17
4,195,710 A 4/1980 Garrison
4,369,532 A * 1/1983 Houchins et al. 4/619
4,403,692 A 9/1983 Poliaccio
RE32,458 E 7/1987 DeLay, Jr.
4,880,156 A * 11/1989 Wallet 141/340
4,930,602 A * 6/1990 Gust 184/106
5,067,530 A 11/1991 Short, III

DESCRIPTION

FIG. 1 is an isometric view of a funnel receptacle;
FIG. 2 is a front view thereof;
FIG. 3 is a rear view thereof;
FIG. 4 is a left-hand side view thereof;
FIG. 5 is a right-hand side view thereof;
FIG. 6 is a top view thereof;
FIG. 7 is a bottom view thereof; and,
FIG. 8 is another isometric view of a funnel receptacle in a closed position for illustration.

1 Claim, 8 Drawing Sheets



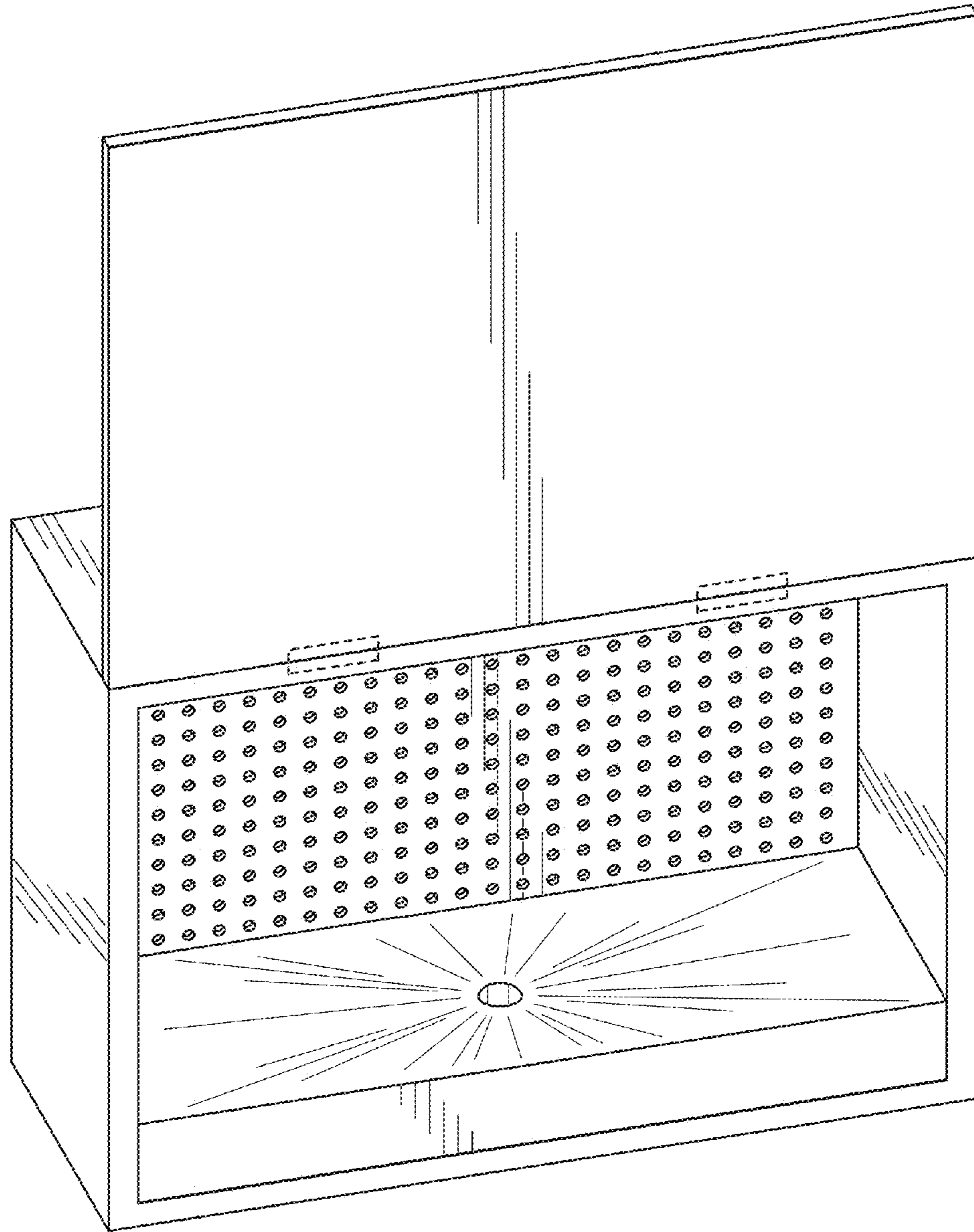


Fig. 1

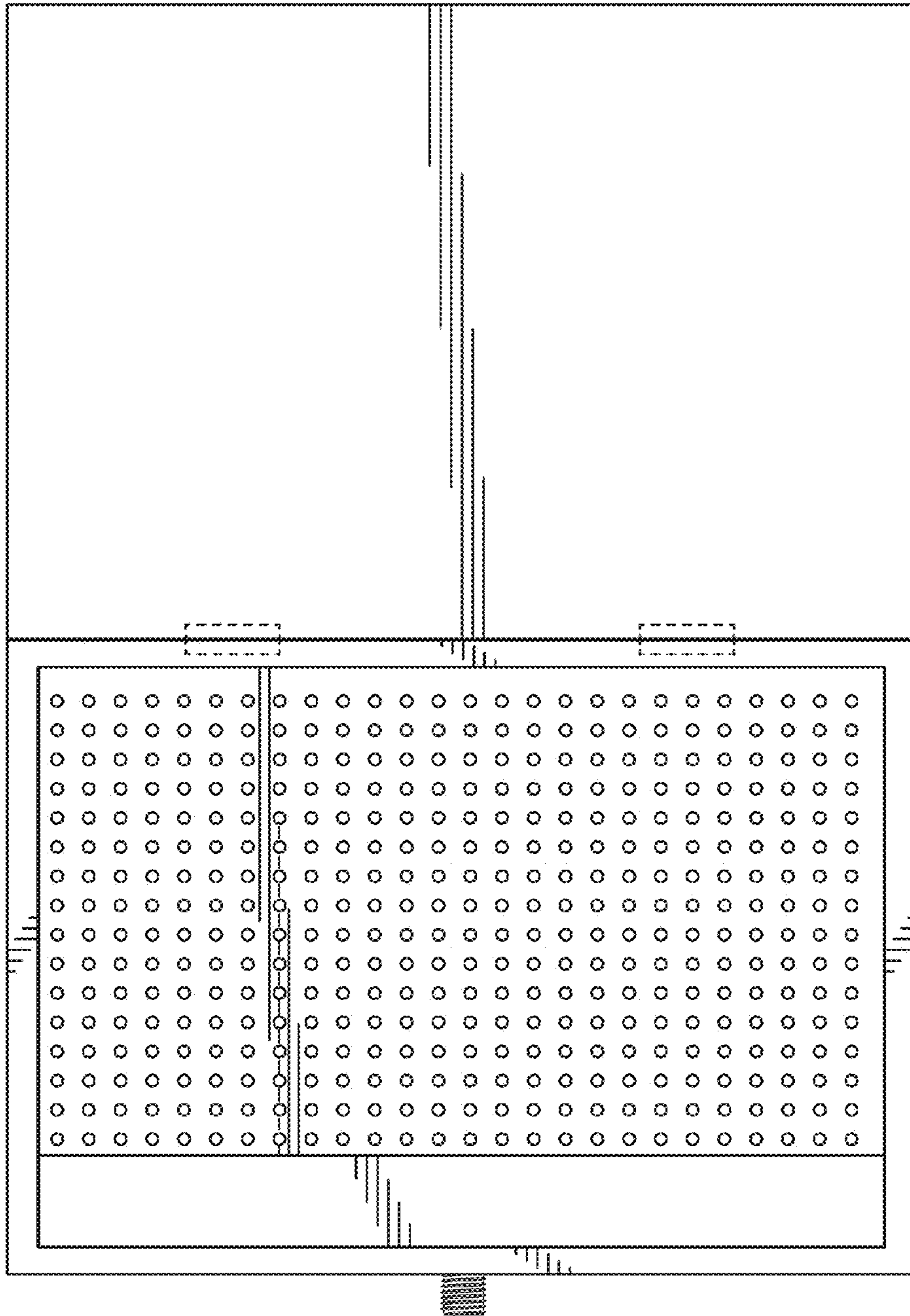


Fig. 2

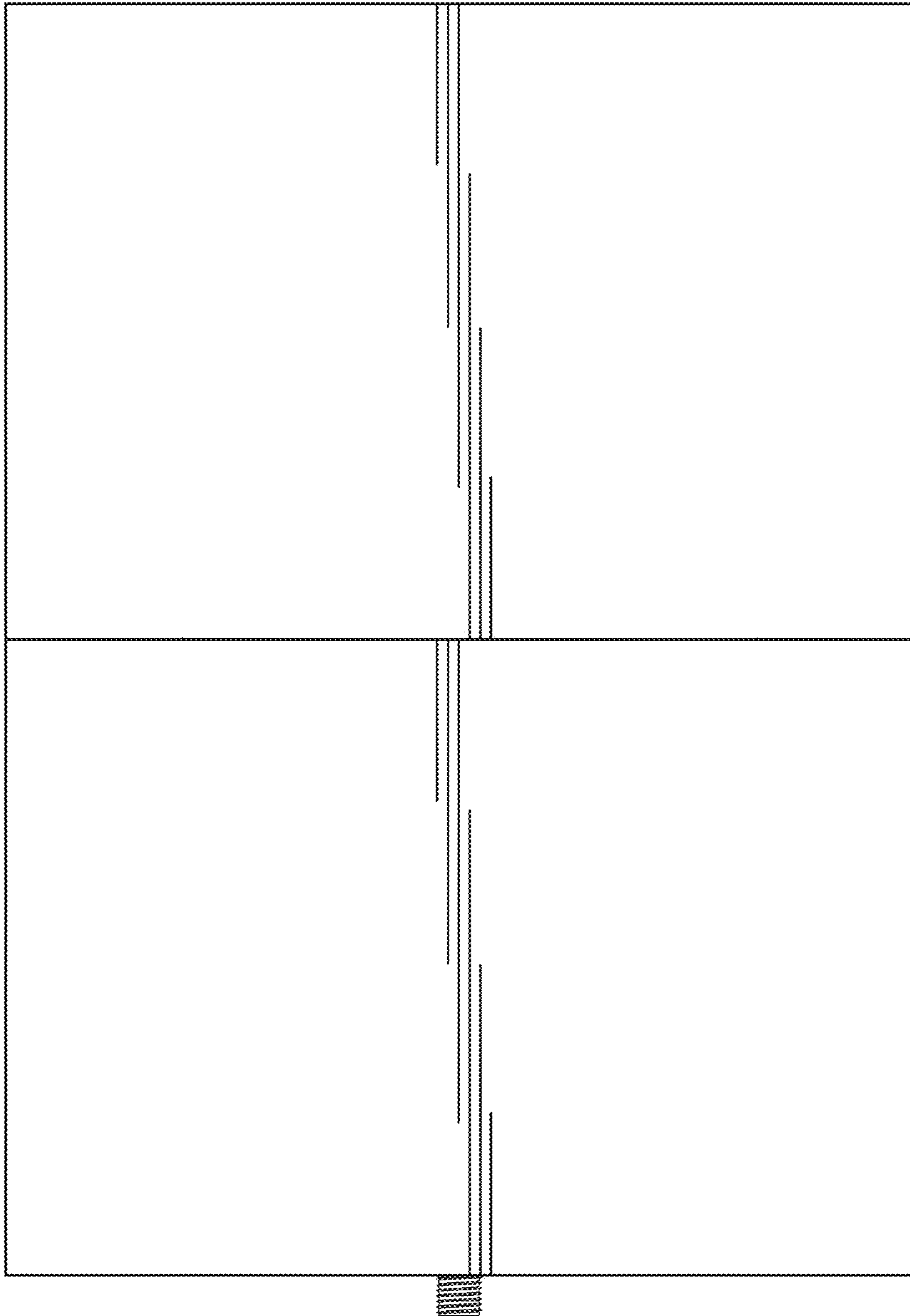


Fig. 3

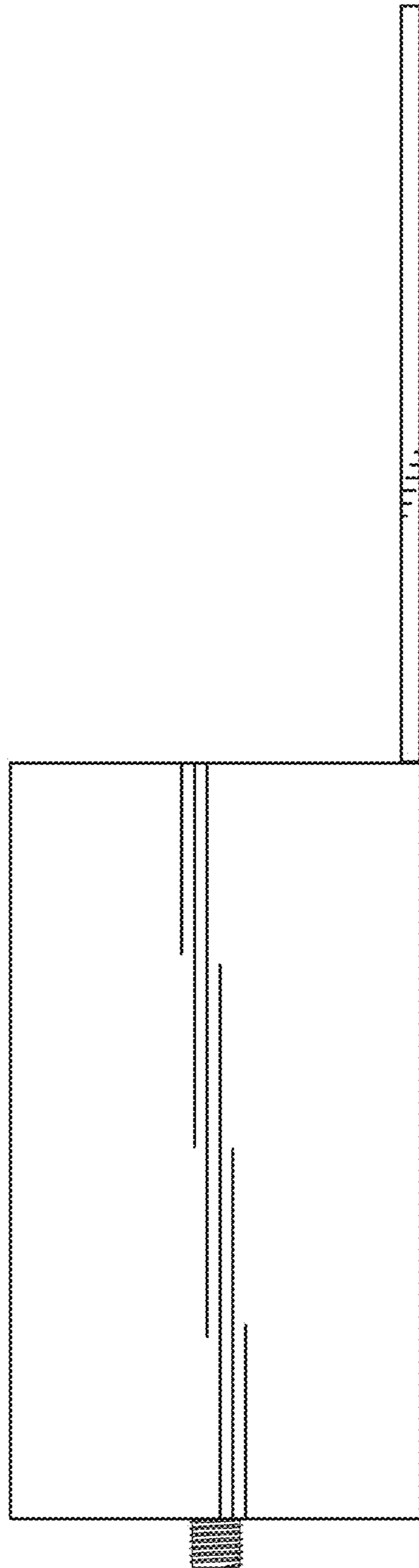


Fig. 4

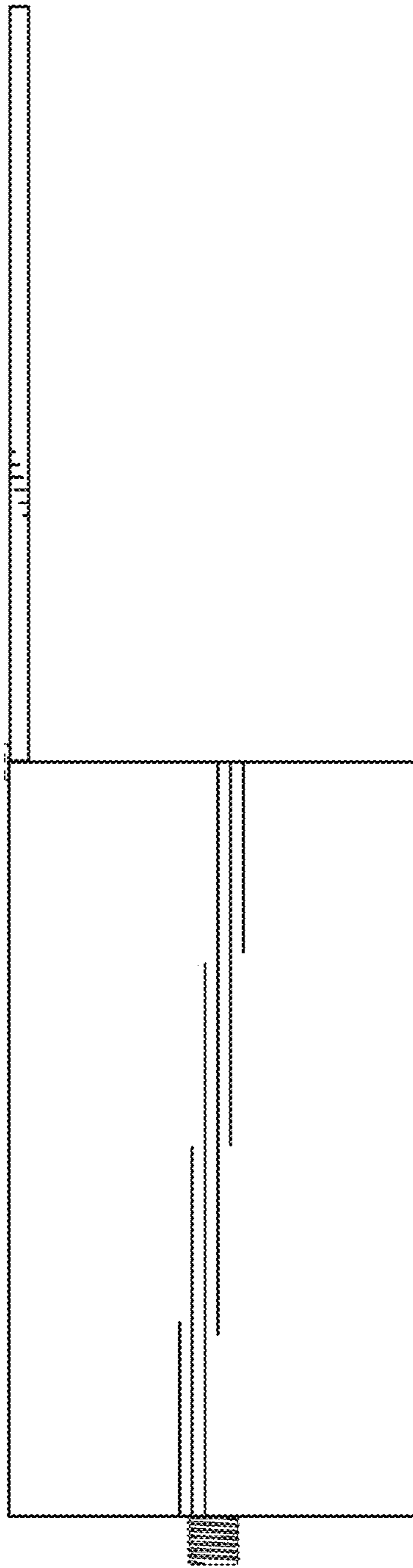


Fig. 5

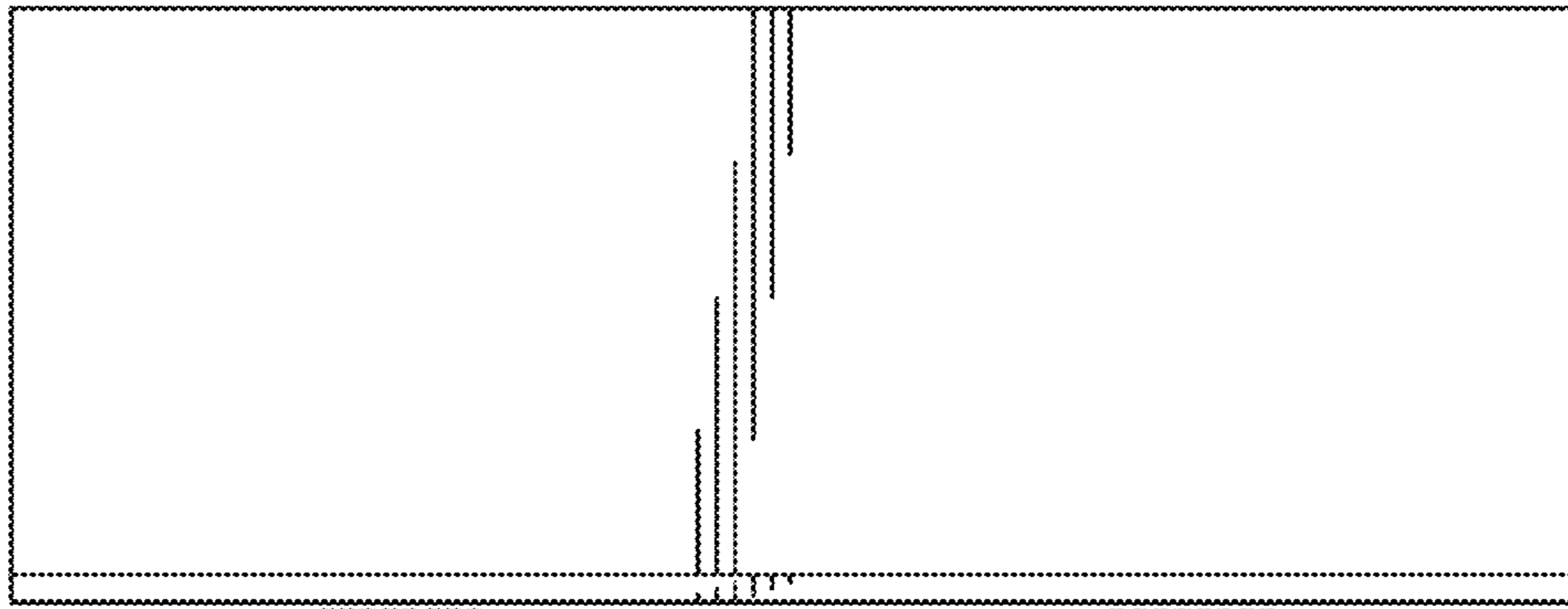


Fig. 6

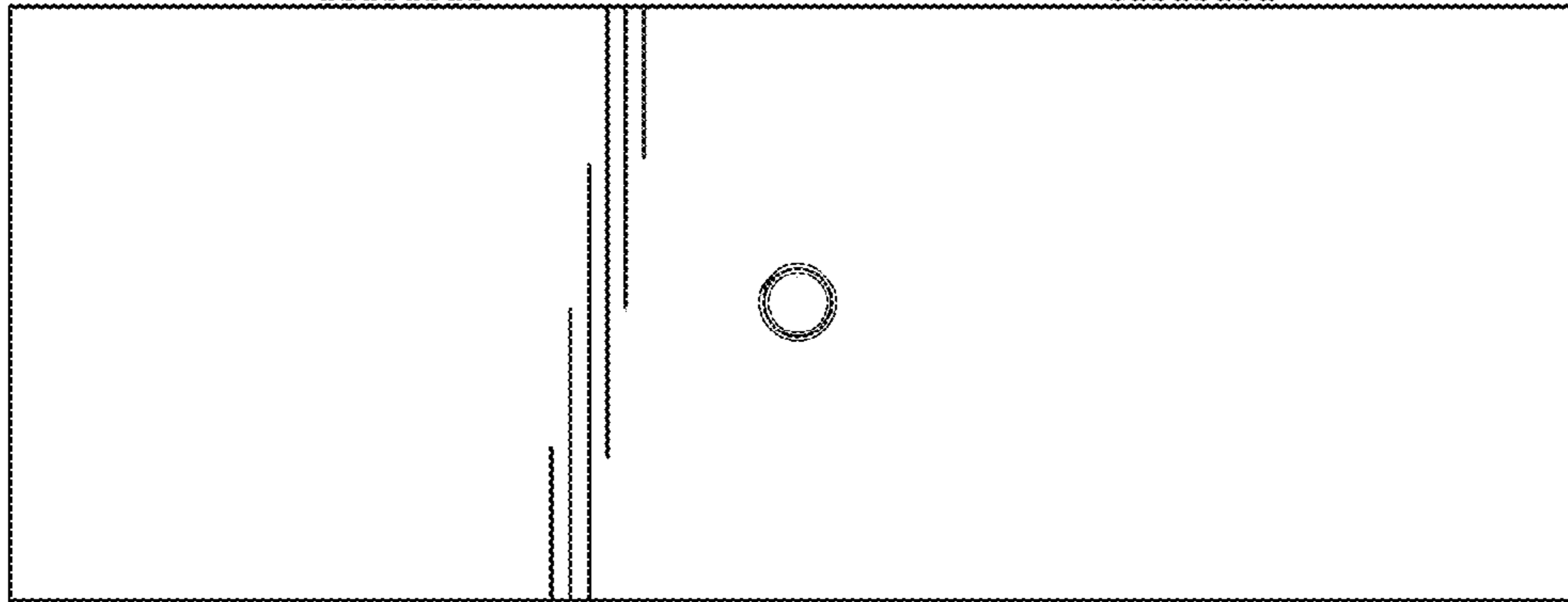


Fig. 7

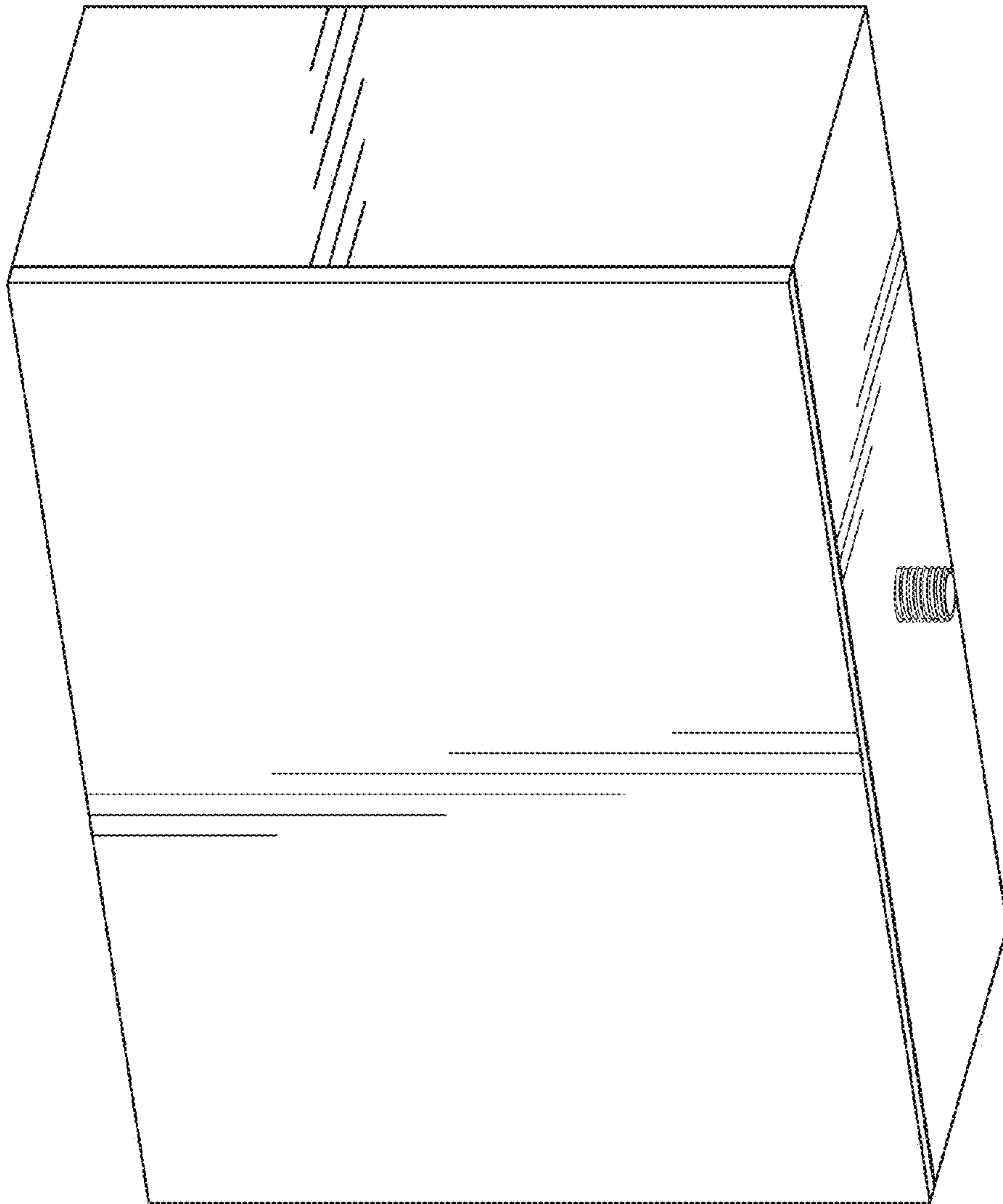


Fig. 8