



US00D715841S

(12) **United States Design Patent**
Comben et al.

(10) **Patent No.:** **US D715,841 S**
(45) **Date of Patent:** **** Oct. 21, 2014**

(54) **LINEAR ACTUATOR FOR USE IN SHIPPING**

(71) Applicant: **Atlas Elektronik UK Ltd.**, Dorchester (GB)

(72) Inventors: **John Anthony Comben**, Winfrith Newburgh (GB); **Richard Edward Horton**, Winfrith Newburgh (GB)

(73) Assignee: **Atlas Elektronik UK Ltd**, Winfrith Newburgh (GB)

(**) Term: **14 Years**

(21) Appl. No.: **29/475,007**

(22) Filed: **Nov. 27, 2013**

(30) **Foreign Application Priority Data**

May 28, 2013 (GB) GB4030081

(51) **LOC (10) Cl.** **15-99**

(52) **U.S. Cl.**
USPC **D15/143**

(58) **Field of Classification Search**
USPC D13/118, 158, 162, 184; D15/1-5, 7, 9, D15/143, 148, 149, 199; 74/89.15, 90.15, 74/411.54, 490.09; 297/14, 325, 327; 310/15, 20, 20.8, 80, 300
See application file for complete search history.

(56) **References Cited**

U.S. PATENT DOCUMENTS

D267,721 S * 1/1983 Dupuis et al. D15/148
D274,182 S * 6/1984 Kato D15/199

D344,279 S * 2/1994 Koyama et al. D15/199
D344,280 S * 2/1994 Koyama et al. D15/199
D410,477 S * 6/1999 Nihei et al. D15/199
D570,385 S * 6/2008 Chuo D15/143
D636,803 S * 4/2011 Nakagiri et al. D15/199
D686,648 S * 7/2013 Wu D15/143
D696,704 S * 12/2013 Battistella D15/143

* cited by examiner

Primary Examiner — Patricia Palasik

(74) *Attorney, Agent, or Firm* — Dascenzo Intellectual Property Law, P.C.

(57) **CLAIM**

The ornamental design for a linear actuator for use in shipping, as shown and described.

DESCRIPTION

FIG. 1 is a top, front isometric view of the new design in a first extended configuration.

FIG. 2 is a top, rear isometric view of the new design in the first extended configuration.

FIG. 3 is a top view of the new design in the first extended configuration.

FIG. 4 is a left side view of the new design in the first extended configuration.

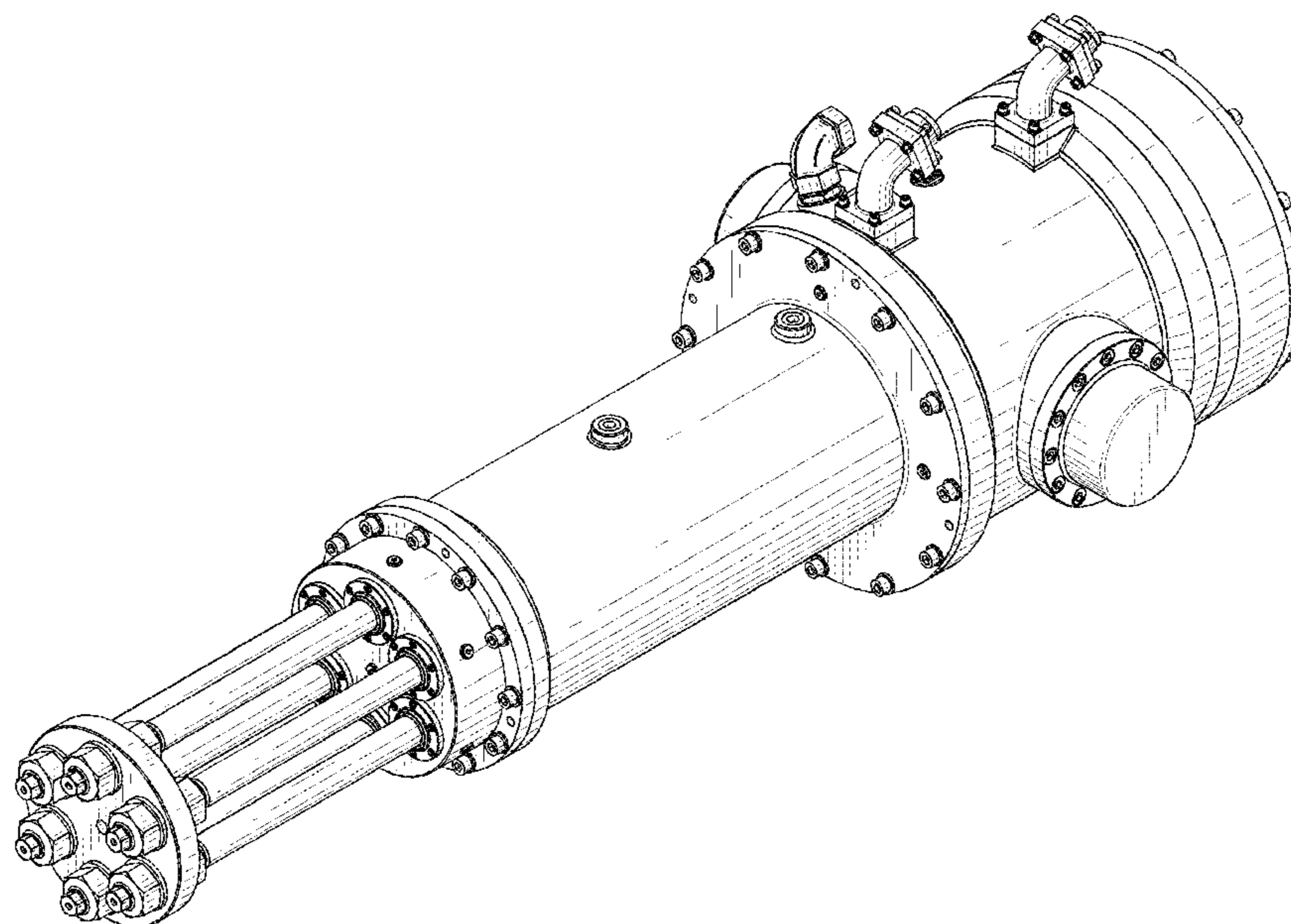
FIG. 5 is a front end view of the new design.

FIG. 6 is a rear end view of the new design.

FIG. 7 is a left side view of the new design in a second extended configuration; and,

FIG. 8 is a left side view of the new design in a retracted configuration.

1 Claim, 7 Drawing Sheets



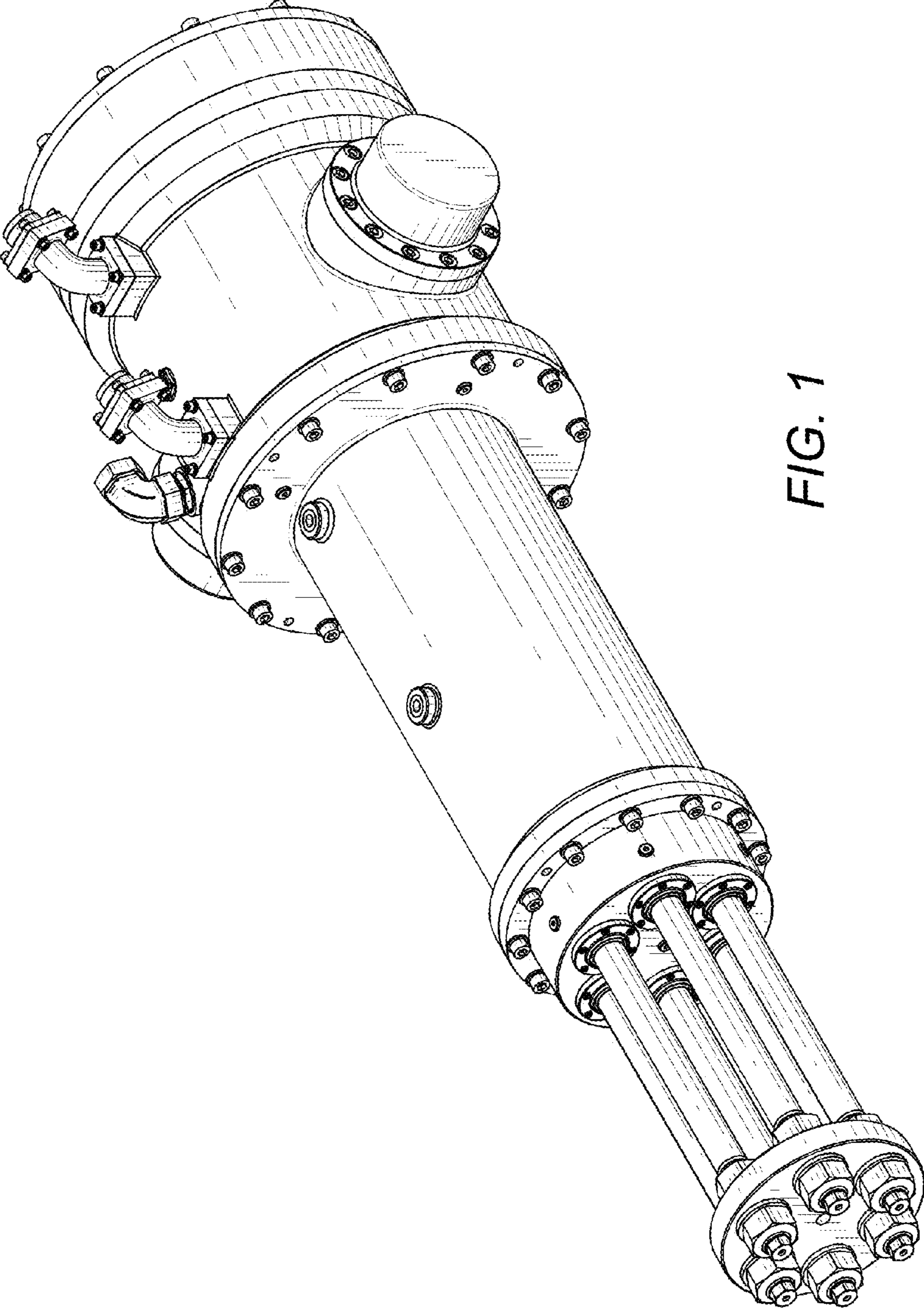


FIG. 1

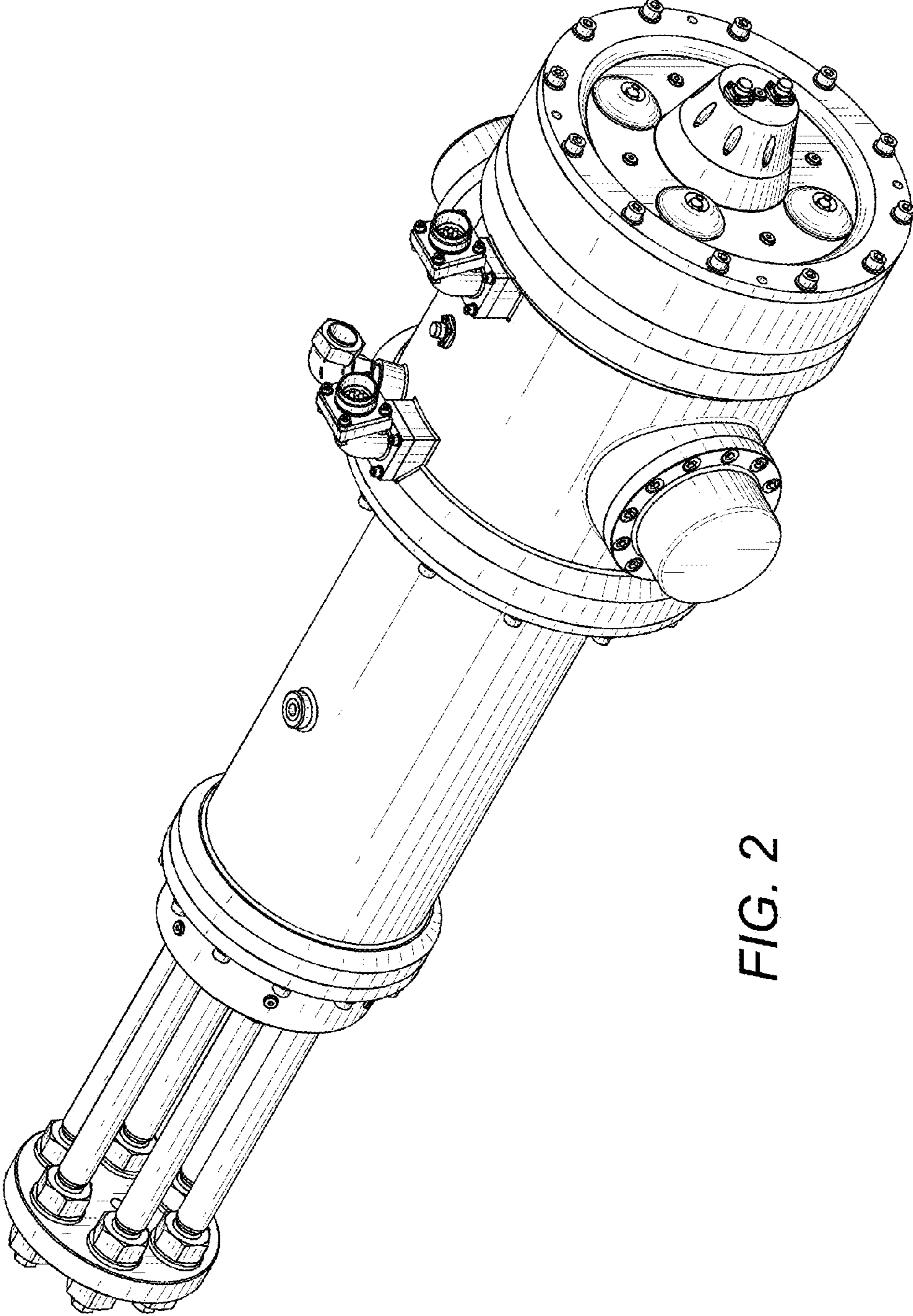


FIG. 2

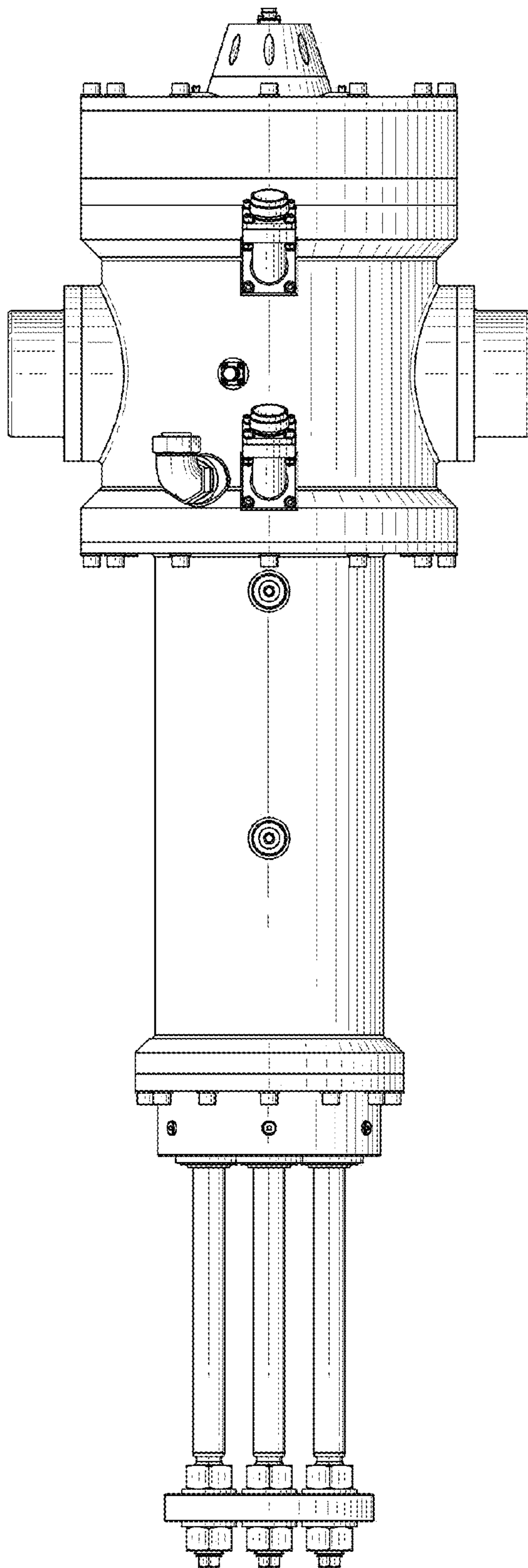


FIG. 3

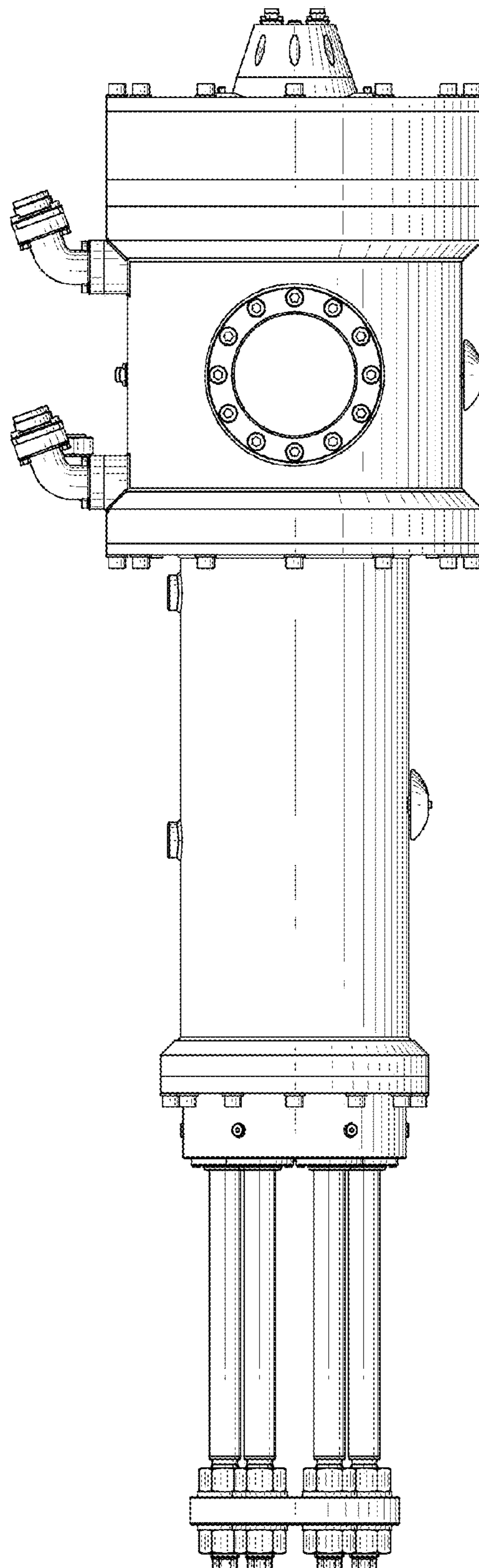


FIG. 4

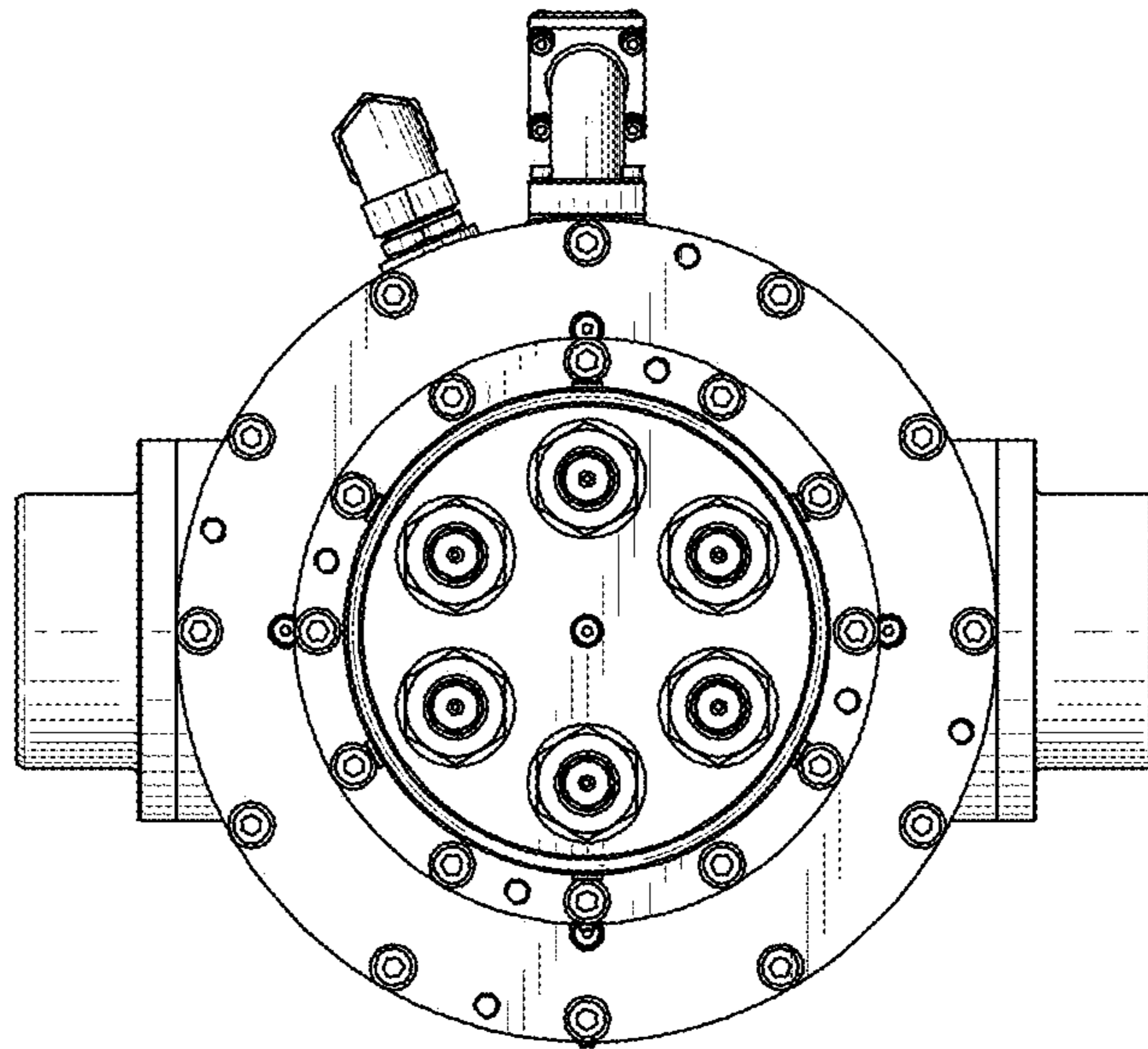


FIG. 5

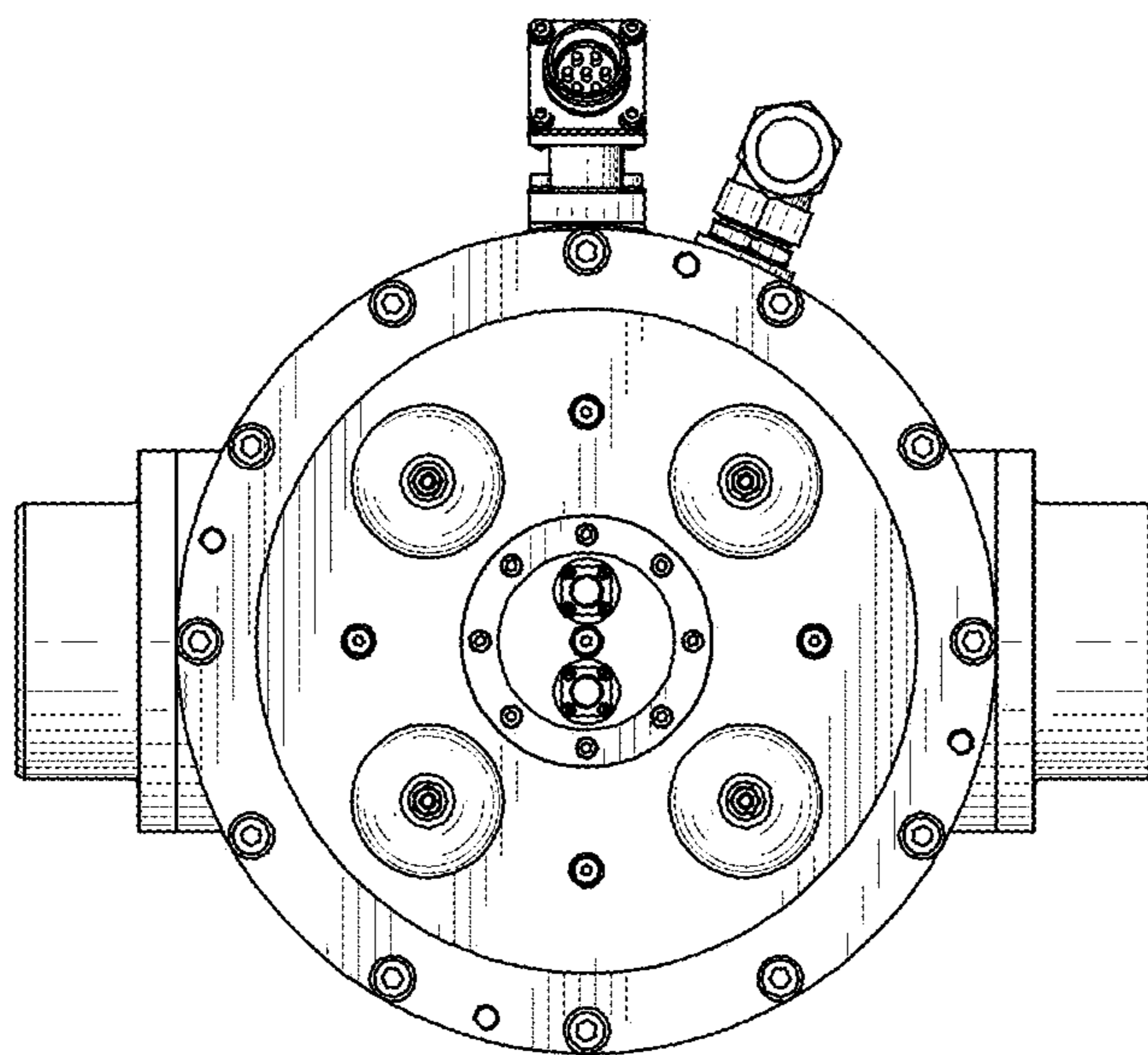


FIG. 6

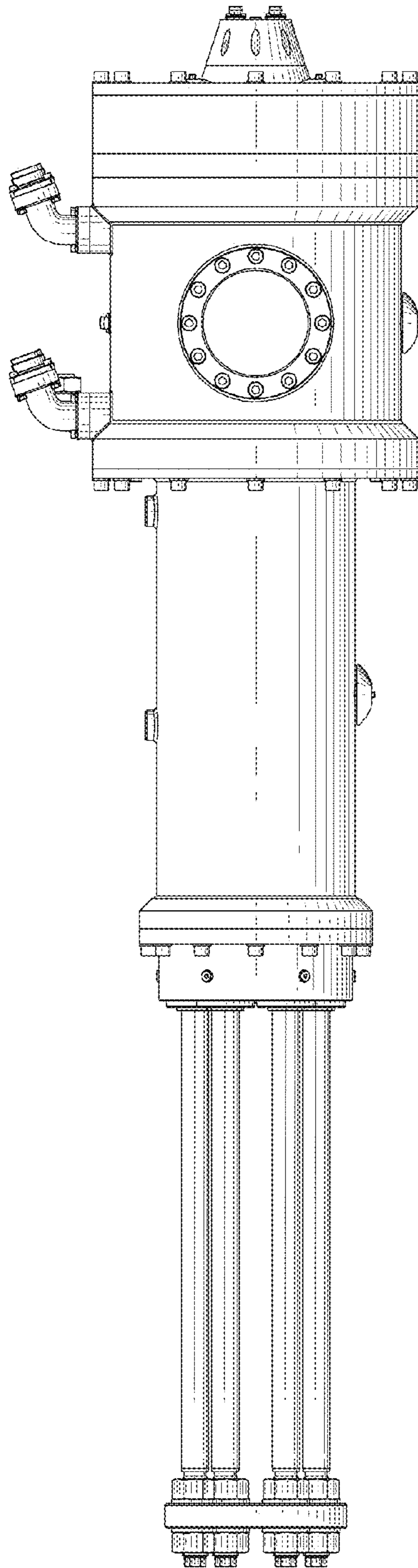


FIG. 7

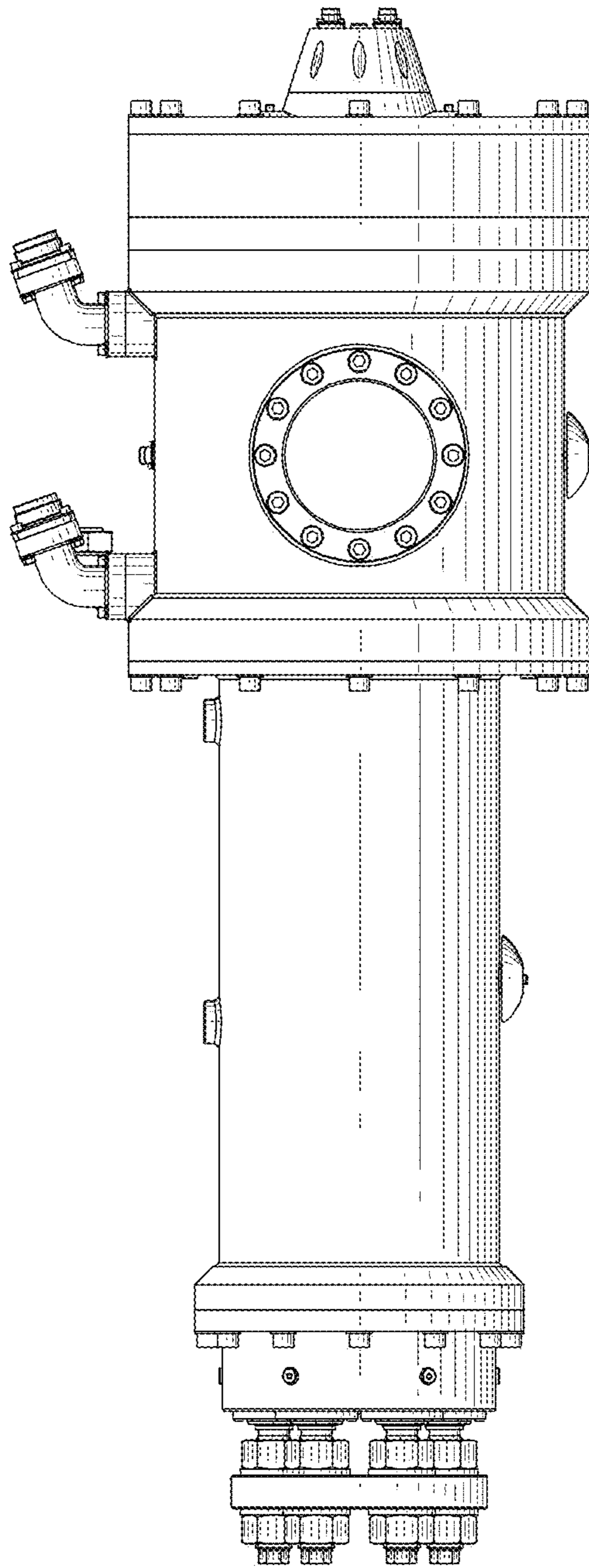


FIG. 8