



US00D715840S

(12) **United States Design Patent**
Park

(10) **Patent No.:** **US D715,840 S**

(45) **Date of Patent:** **** Oct. 21, 2014**

(54) **CUTTING INSERT**

(71) Applicant: **TaeguTec Ltd.**, Daegu (KR)

(72) Inventor: **Geon Woo Park**, Daegu (KR)

(73) Assignee: **TaeguTec Ltd.**, Daegu (KR)

(**) Term: **14 Years**

(21) Appl. No.: **29/485,616**

(22) Filed: **Mar. 20, 2014**

(51) **LOC (10) Cl.** **15-09**

(52) **U.S. Cl.**
USPC **D15/139**

(58) **Field of Classification Search**
USPC D8/70, 71; D15/131, 138, 139, 140;
407/35, 42, 112-119

See application file for complete search history.

(56) **References Cited**

U.S. PATENT DOCUMENTS

D487,281 S *	3/2004	Roman et al.	D15/139
D497,923 S *	11/2004	Waggle et al.	D15/139
D656,166 S *	3/2012	Michelet et al.	D15/139
D705,828 S *	5/2014	Imai et al.	D15/139
2005/0214080 A1 *	9/2005	Satran	407/113
2006/0216122 A1 *	9/2006	Engstrom et al.	407/114

2012/0027530 A1 *	2/2012	Agic	407/114
2013/0022417 A1 *	1/2013	Gesell et al.	407/113
2013/0302099 A1 *	11/2013	Choi et al.	407/113

* cited by examiner

Primary Examiner — Patricia Palasik

(74) *Attorney, Agent, or Firm* — Hamre, Schumann, Mueller & Larson, P.C.

(57) **CLAIM**

The ornamental design for a cutting insert, as shown and described.

DESCRIPTION

FIG. 1 is a perspective view of a cutting insert showing my new design;
FIG. 2 is a front elevational view thereof;
FIG. 3 is a rear elevational view thereof;
FIG. 4 is a left side view thereof;
FIG. 5 is a right side view thereof;
FIG. 6 is a top plan view thereof;
FIG. 7 is a bottom plan view thereof; and,
FIG. 8 is a cross-sectional view taken along line 8-8 of FIG. 2. The broken line environmental showing is for illustrative purposes only and forms no part of the claimed design.

1 Claim, 4 Drawing Sheets

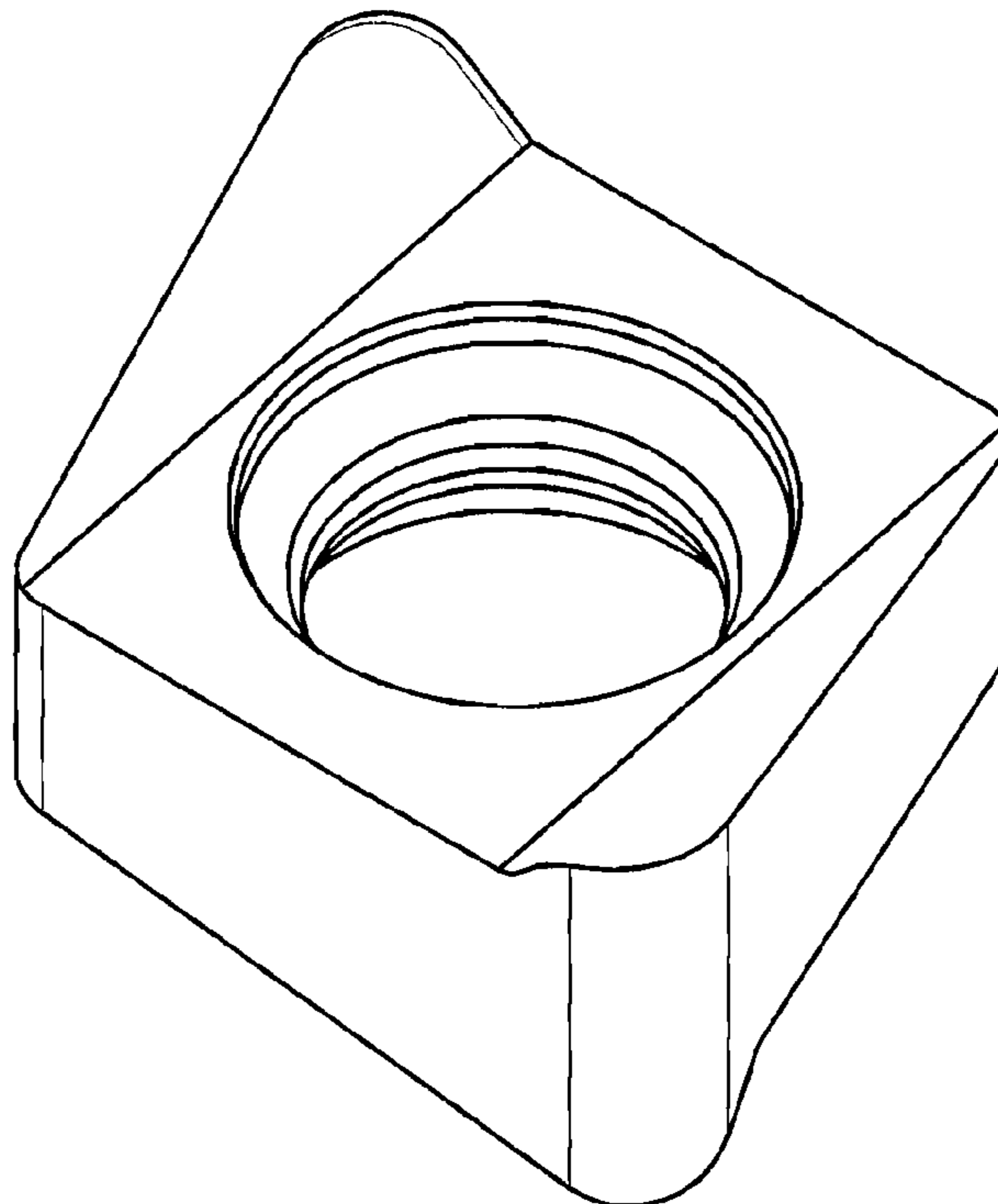


Fig. 1

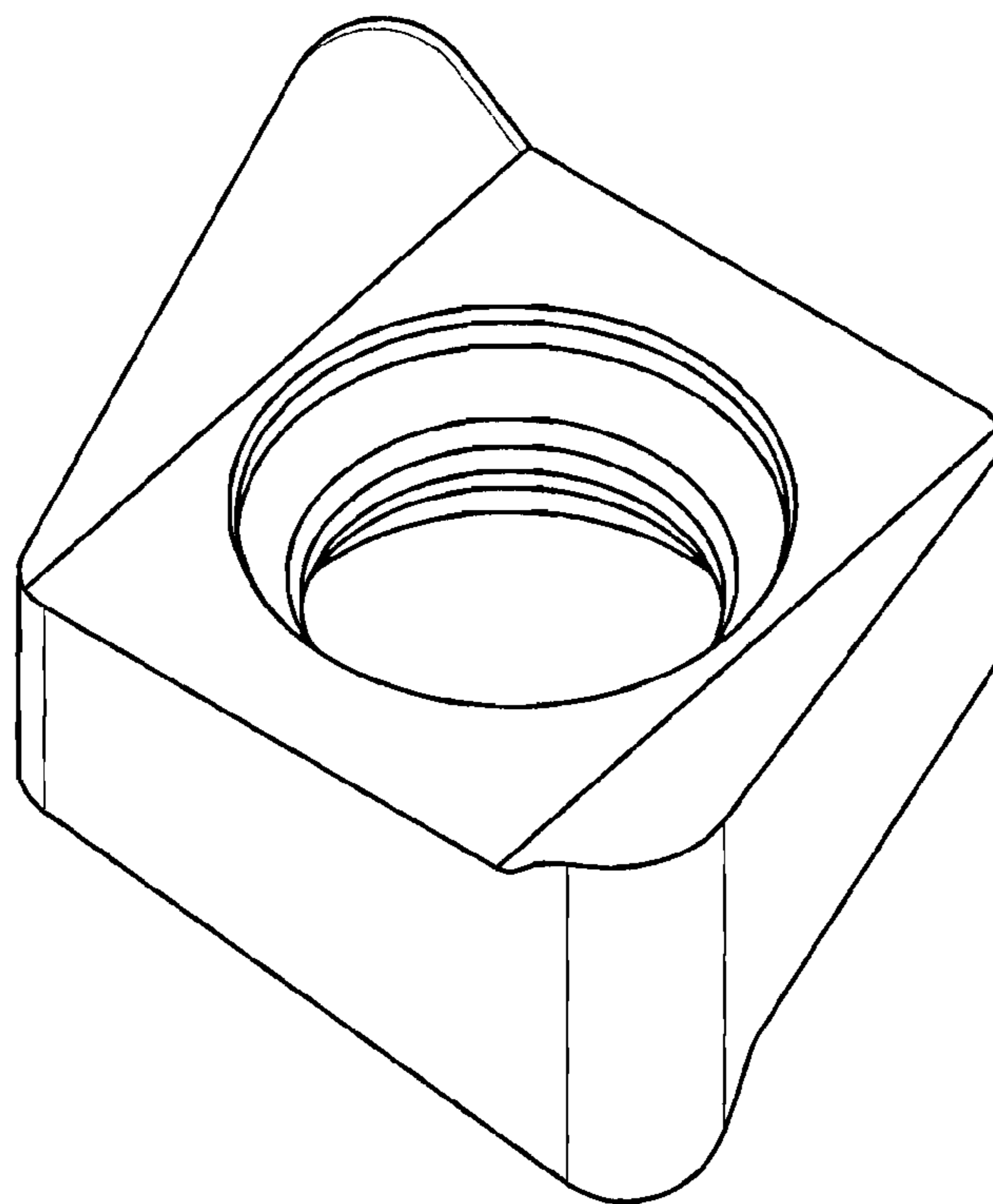


Fig. 2

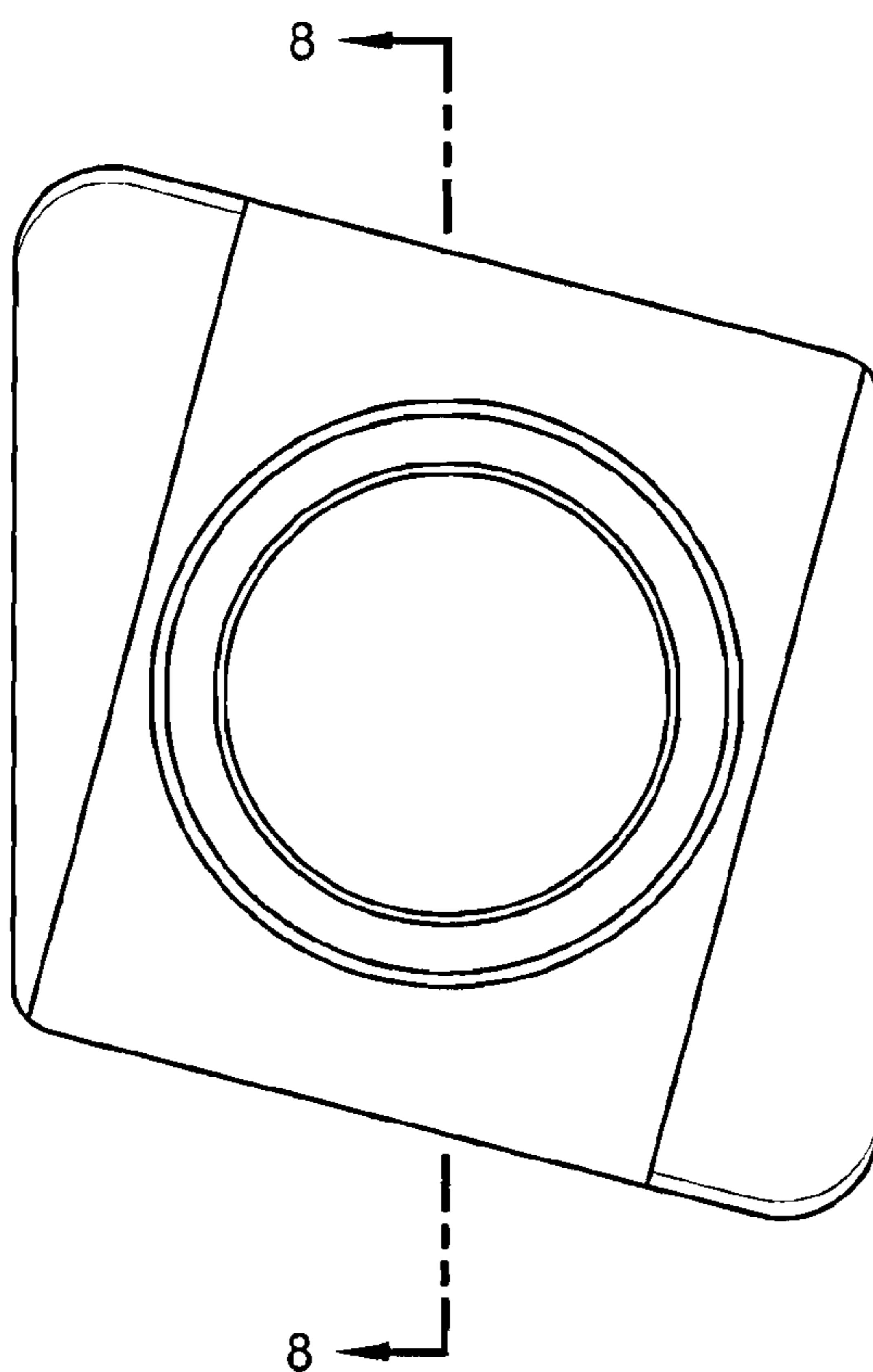


Fig. 3

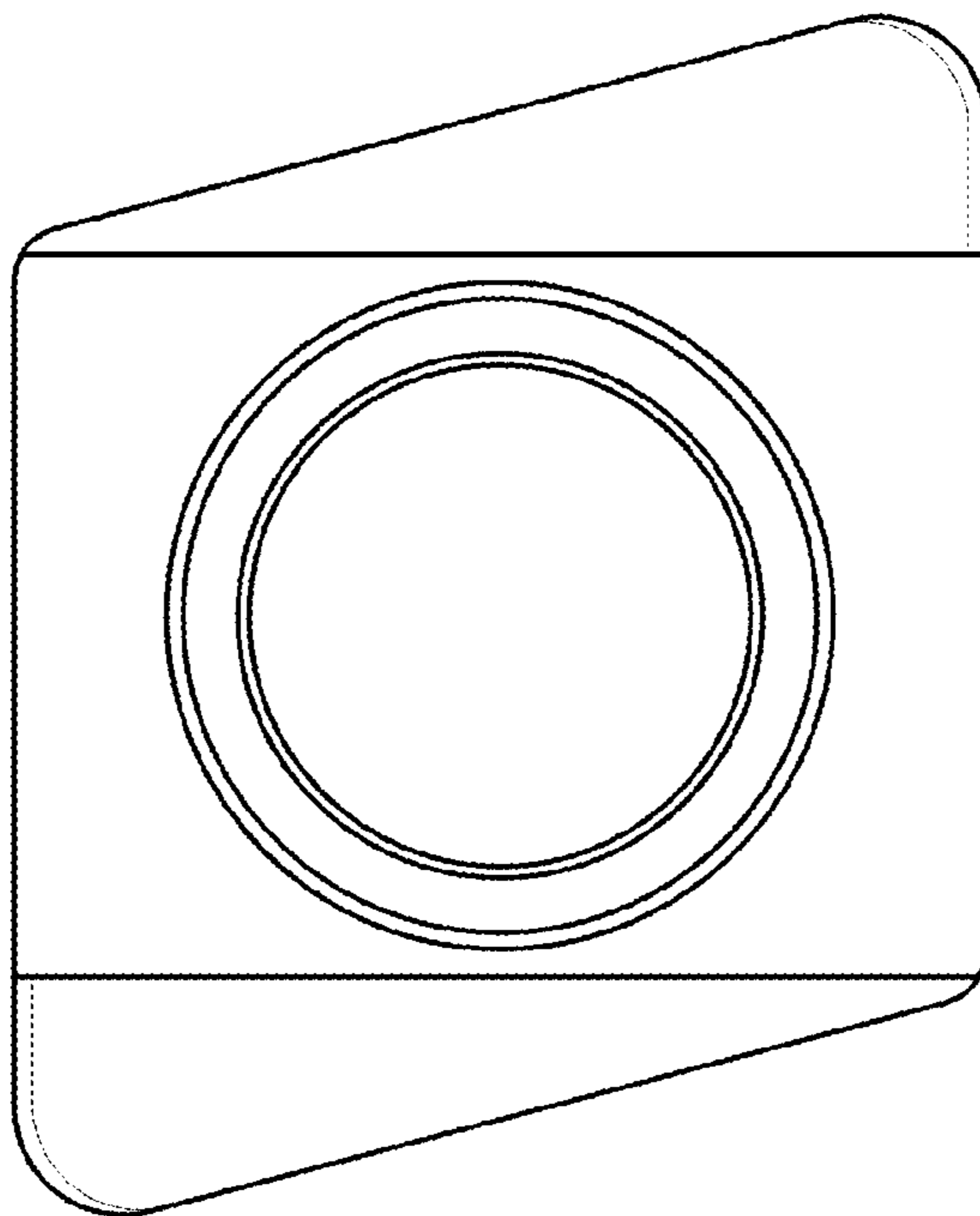


Fig. 4

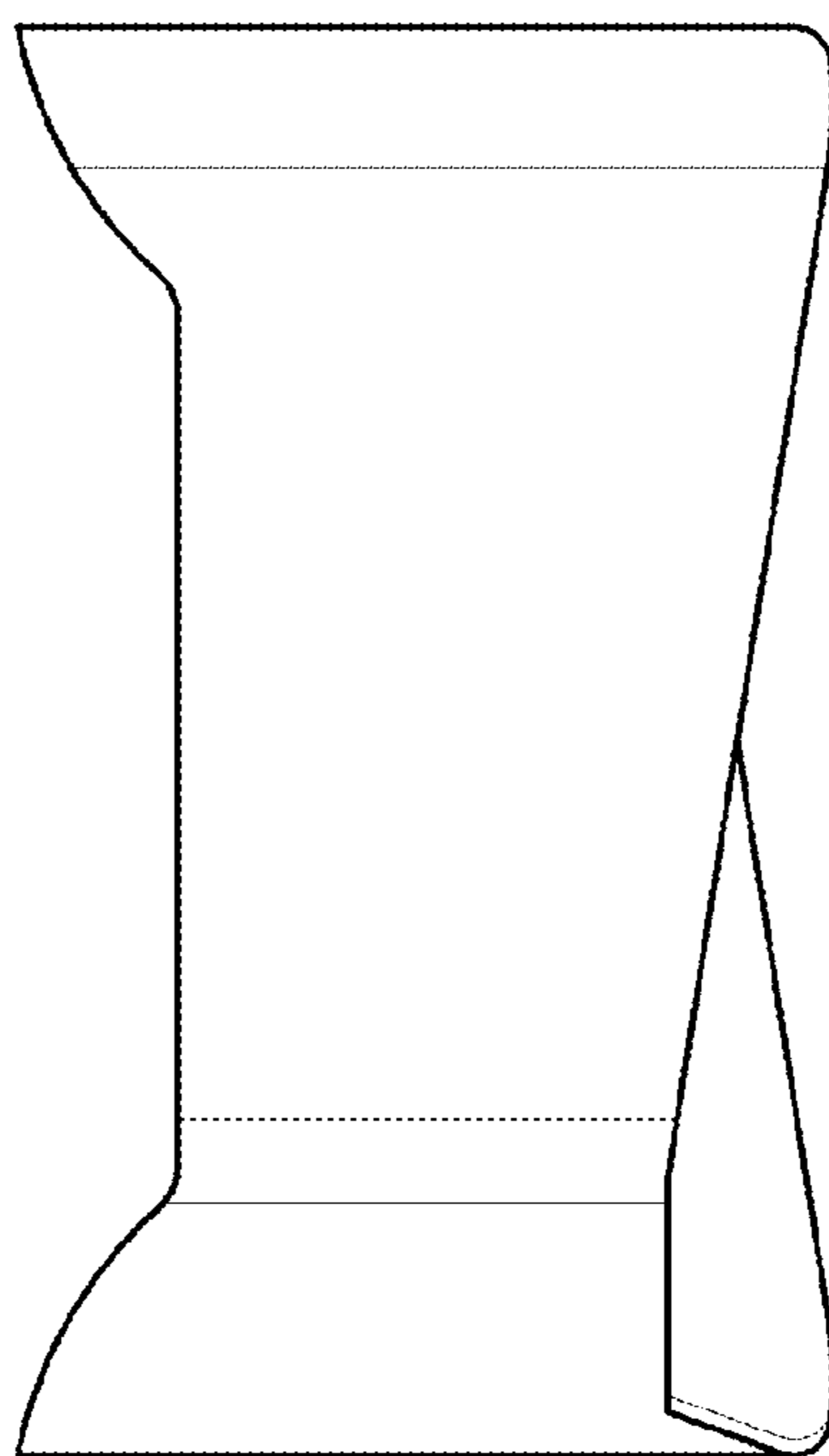


Fig. 5

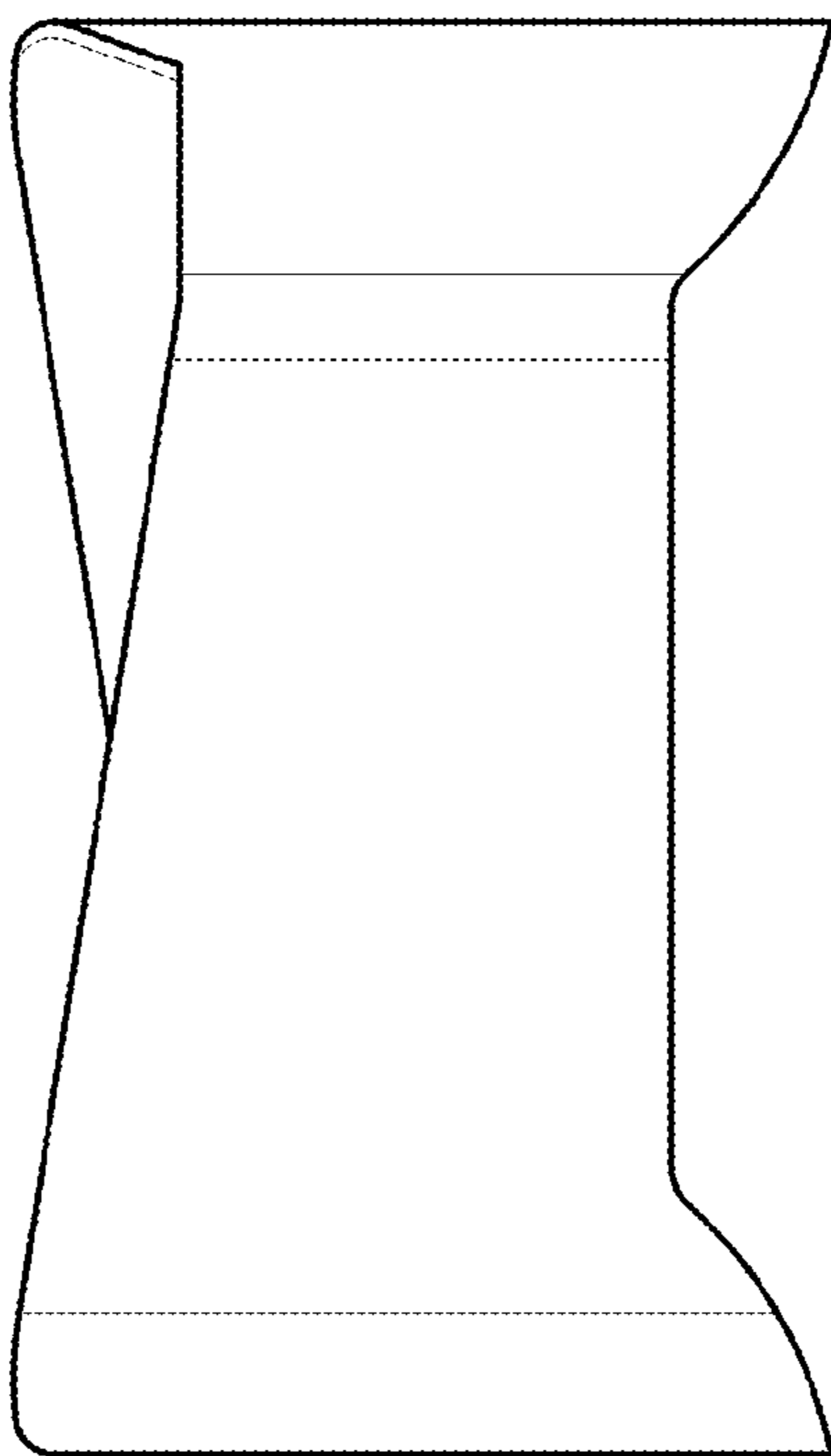


Fig. 6

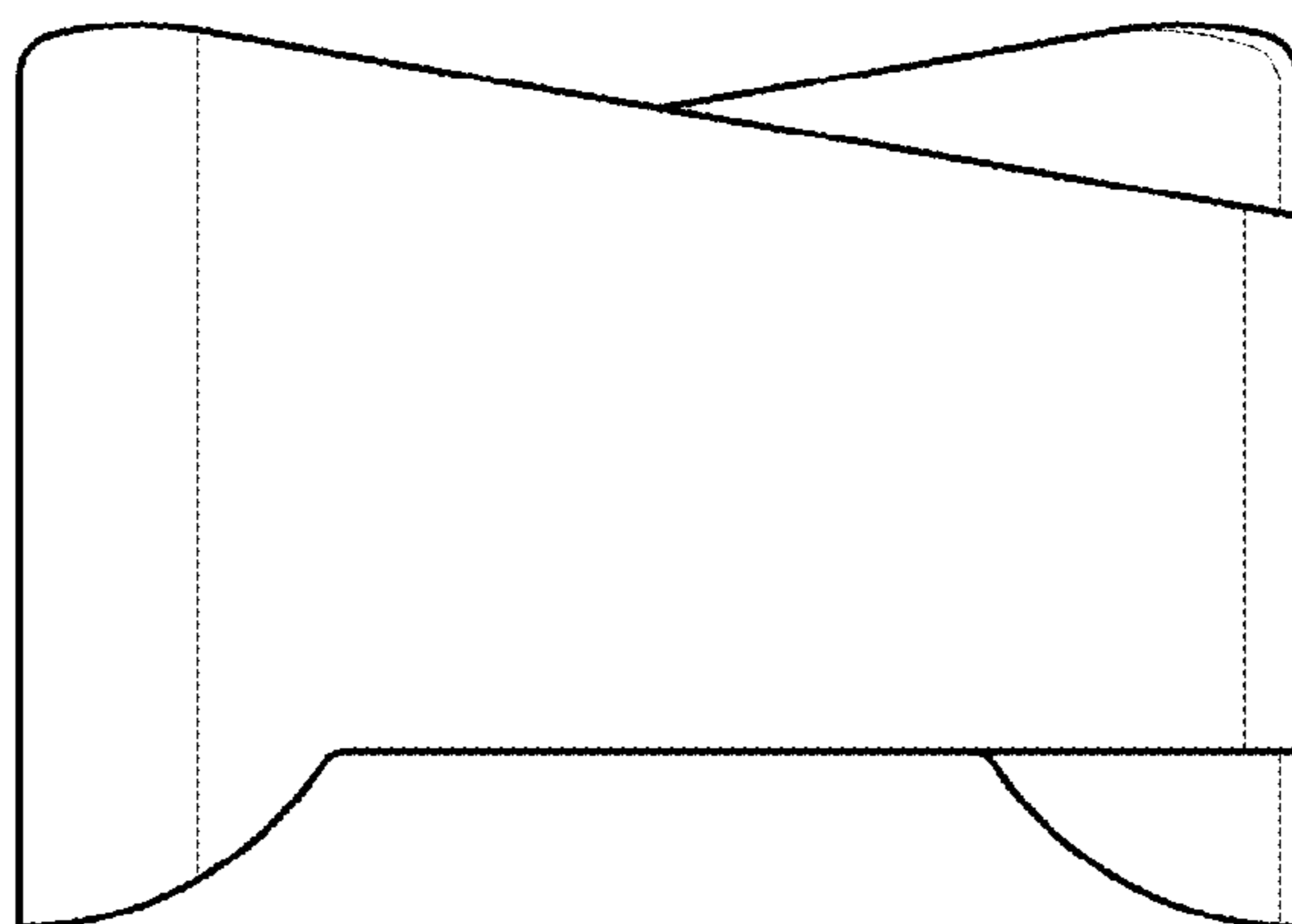


Fig. 7

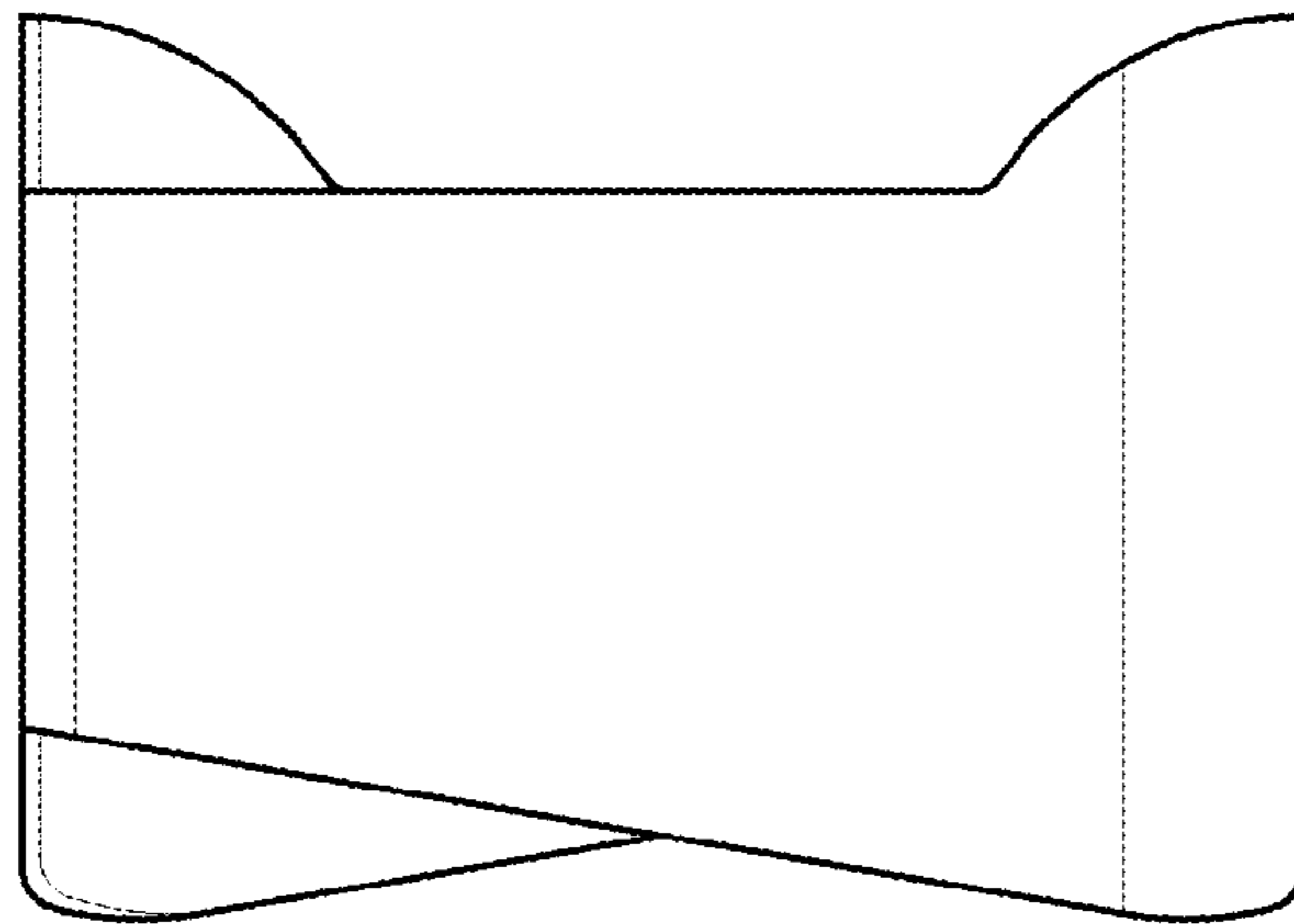


Fig. 8

