



US00D715838S

(12) **United States Design Patent**
Nagakura et al.

(10) **Patent No.:** **US D715,838 S**
(45) **Date of Patent:** **** Oct. 21, 2014**

(54) **CYLINDER HEAD FOR INTERNAL COMBUSTION ENGINES**

(71) Applicant: **Honda Motor Co., Ltd.**, Tokyo (JP)

(72) Inventors: **Masaki Nagakura**, Wako (JP); **Satoshi Nakamura**, Wako (JP)

(73) Assignee: **Honda Motor Co., Ltd.**, Tokyo (JP)

(**) Term: **14 Years**

(21) Appl. No.: **29/483,939**

(22) Filed: **Mar. 4, 2014**

(30) **Foreign Application Priority Data**

Sep. 4, 2013 (JP) 2013-020455

(51) **LOC (10) Cl.** **15-01**

(52) **U.S. Cl.**
USPC **D15/5**

(58) **Field of Classification Search**

CPC F02F 1/40; F02F 1/243; F02F 1/24;
F02F 1/42; F02F 1/242; F02F 11/002; F02F
1/38; F02F 7/006; F02F 1/4264; F02F 1/36;
F02F 1/4285; F02F 1/02; F02F 11/00; F02F
1/002; F02F 1/16; F02F 2001/245; F02F
1/4214; F02B 1/04; F02B 3/06
USPC D15/1-6
See application file for complete search history.

(56) **References Cited**

U.S. PATENT DOCUMENTS

5,535,714 A * 7/1996 Aoyama et al. 123/193.5
6,295,963 B1 * 10/2001 Kollock et al. 123/193.5
7,367,294 B2 * 5/2008 Rozario et al. 123/41.82 R
7,784,442 B2 * 8/2010 Lester et al. 123/193.5

D701,885 S * 4/2014 Clark et al. D15/5
D705,269 S * 5/2014 Tachikawa et al. D15/5
8,714,128 B2 * 5/2014 Galeazzi et al. 123/193.5
2007/0215074 A1 * 9/2007 Rozario et al. 123/41.82 R
2012/0012073 A1 * 1/2012 Brewer et al. 123/41.74
2012/0031355 A1 * 2/2012 Romblom 123/58.1
2012/0227686 A1 * 9/2012 D'Anna et al. 123/41.82 R
2012/0227687 A1 * 9/2012 Galeazzi et al. 123/41.82 R
2013/0055971 A1 * 3/2013 Brewer et al. 123/41.82 R

* cited by examiner

Primary Examiner — John Windmuller

Assistant Examiner — Ania Aman

(74) *Attorney, Agent, or Firm* — Westerman, Hattori,
Daniels & Adrian, LLP

(57) **CLAIM**

The ornamental design for a cylinder head for internal combustion engines, as shown and described.

DESCRIPTION

FIG. 1 is a front elevational view of the cylinder head for internal combustion engines according to our invention; FIG. 2 is a rear elevational view thereof; FIG. 3 is a top plan view thereof; FIG. 4 is a bottom plan view thereof; FIG. 5 is a right side elevational view thereof; FIG. 6 is a left side elevational view thereof; FIG. 7 is a front perspective view thereof, as seen from the lower right side; FIG. 8 is a front perspective view thereof, as seen from the lower left side; FIG. 9 is a rear perspective view thereof, as seen from the upper right side; and, FIG. 10 is a rear perspective view thereof, as seen from the upper left side.

1 Claim, 10 Drawing Sheets

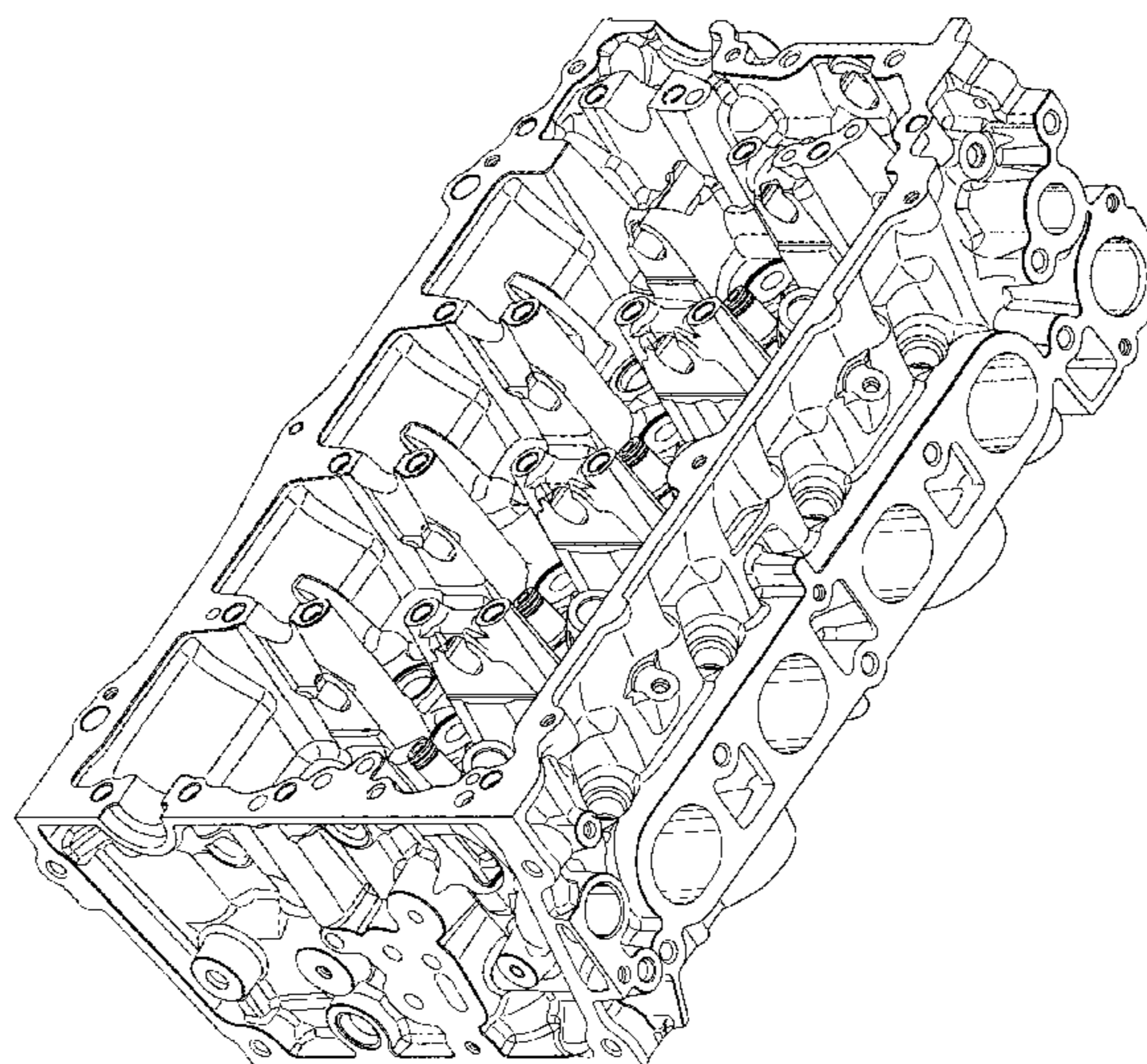


FIG.1

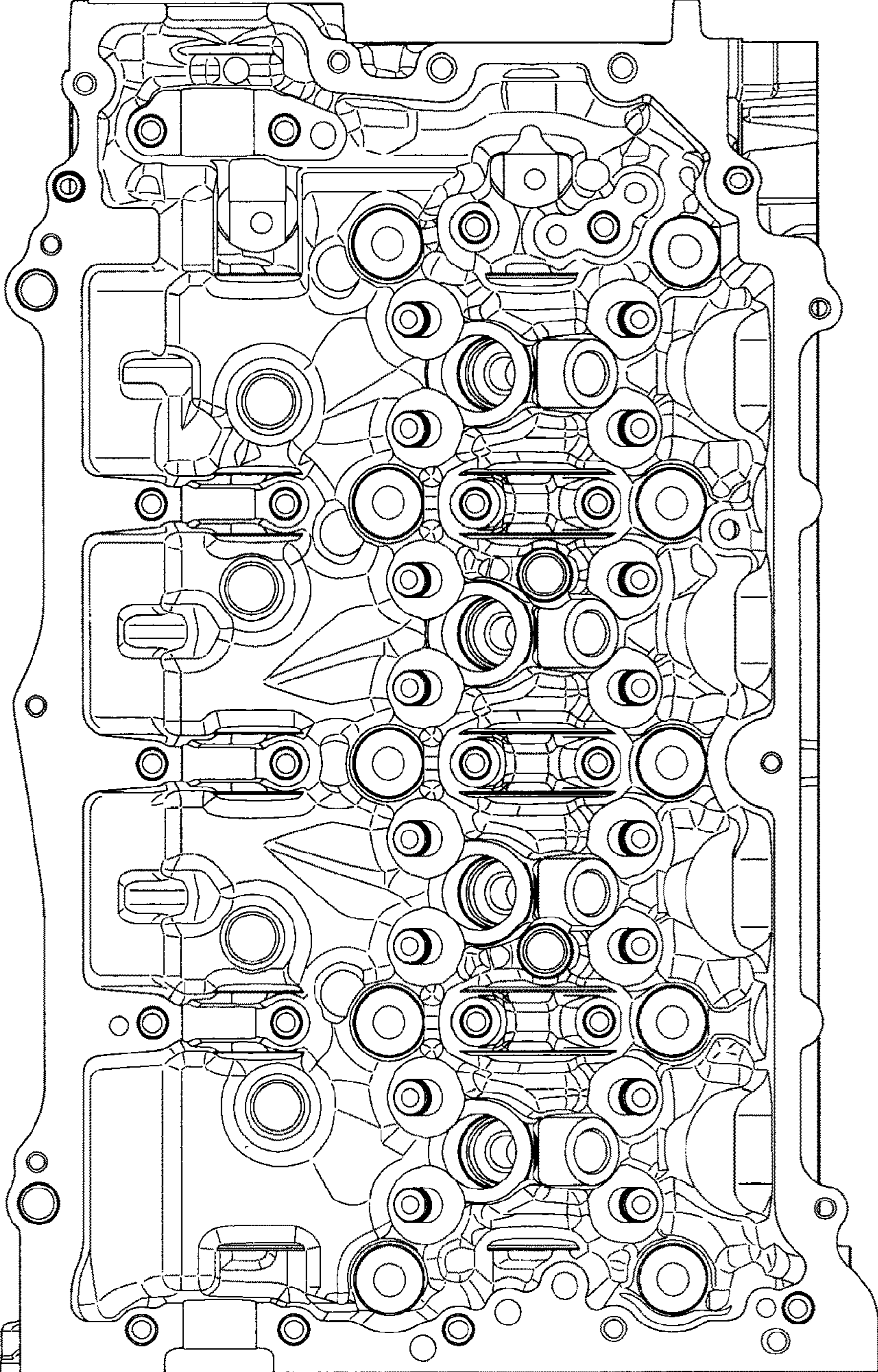


FIG.2

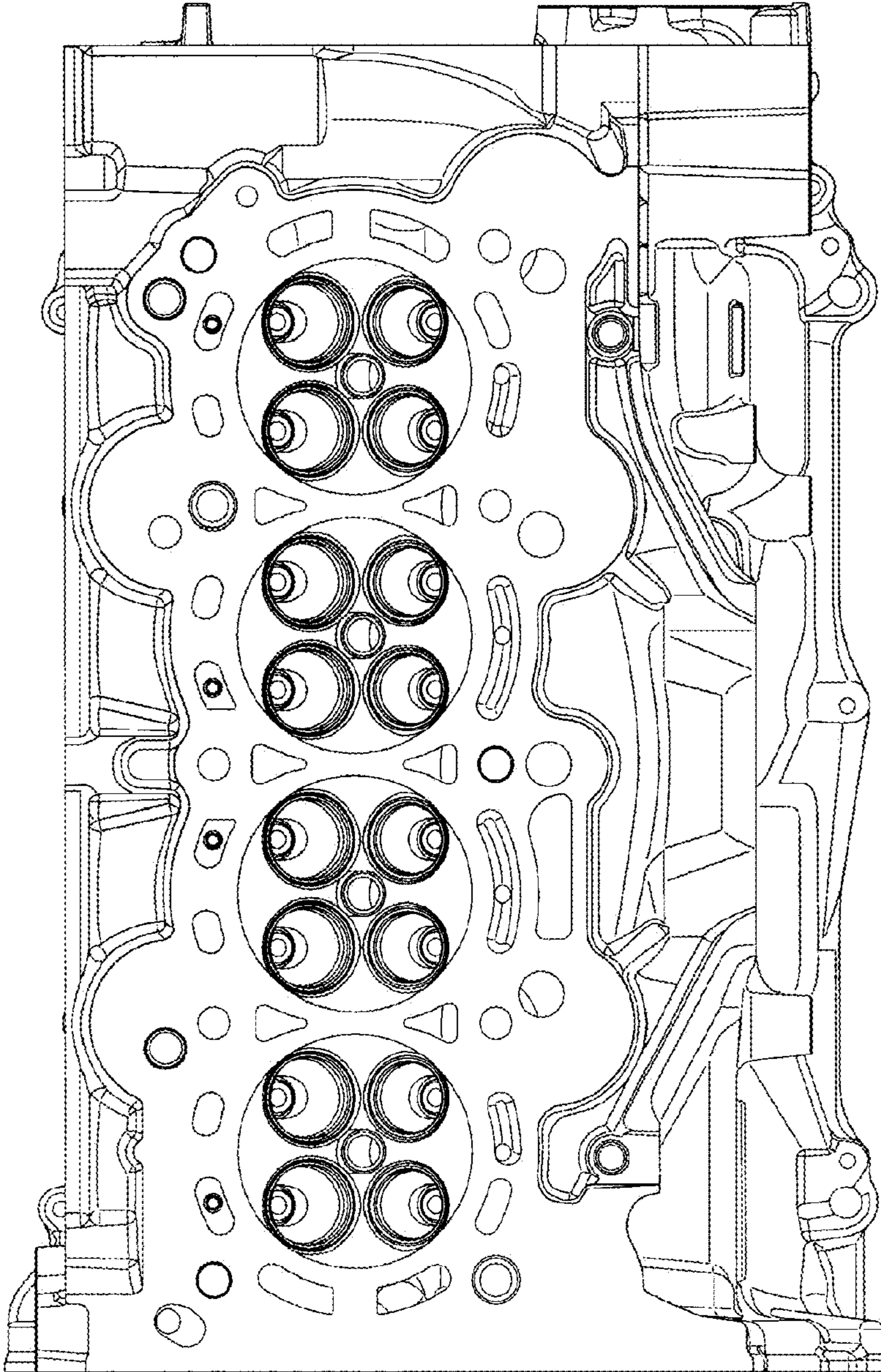


FIG.3

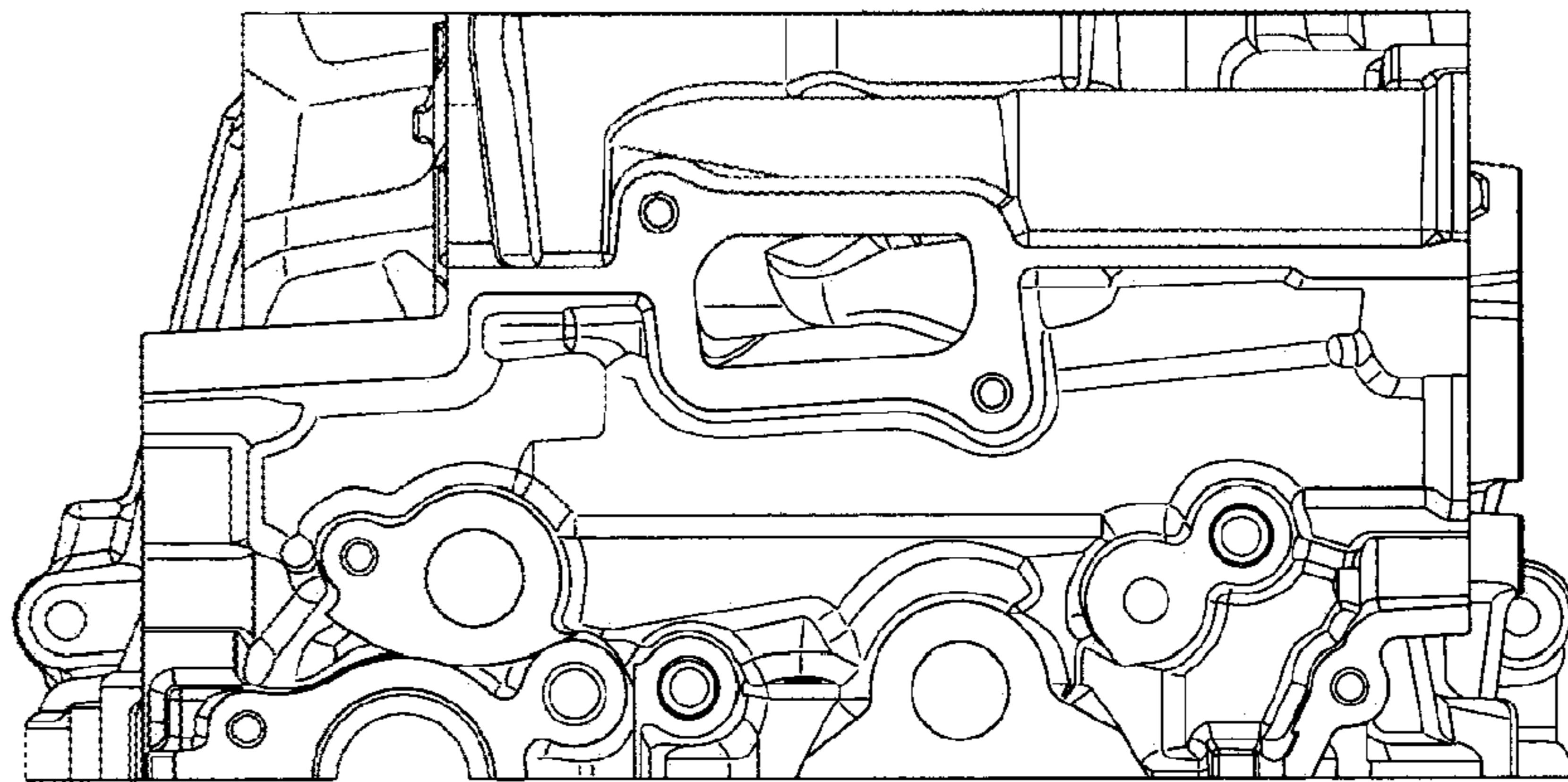


FIG.4

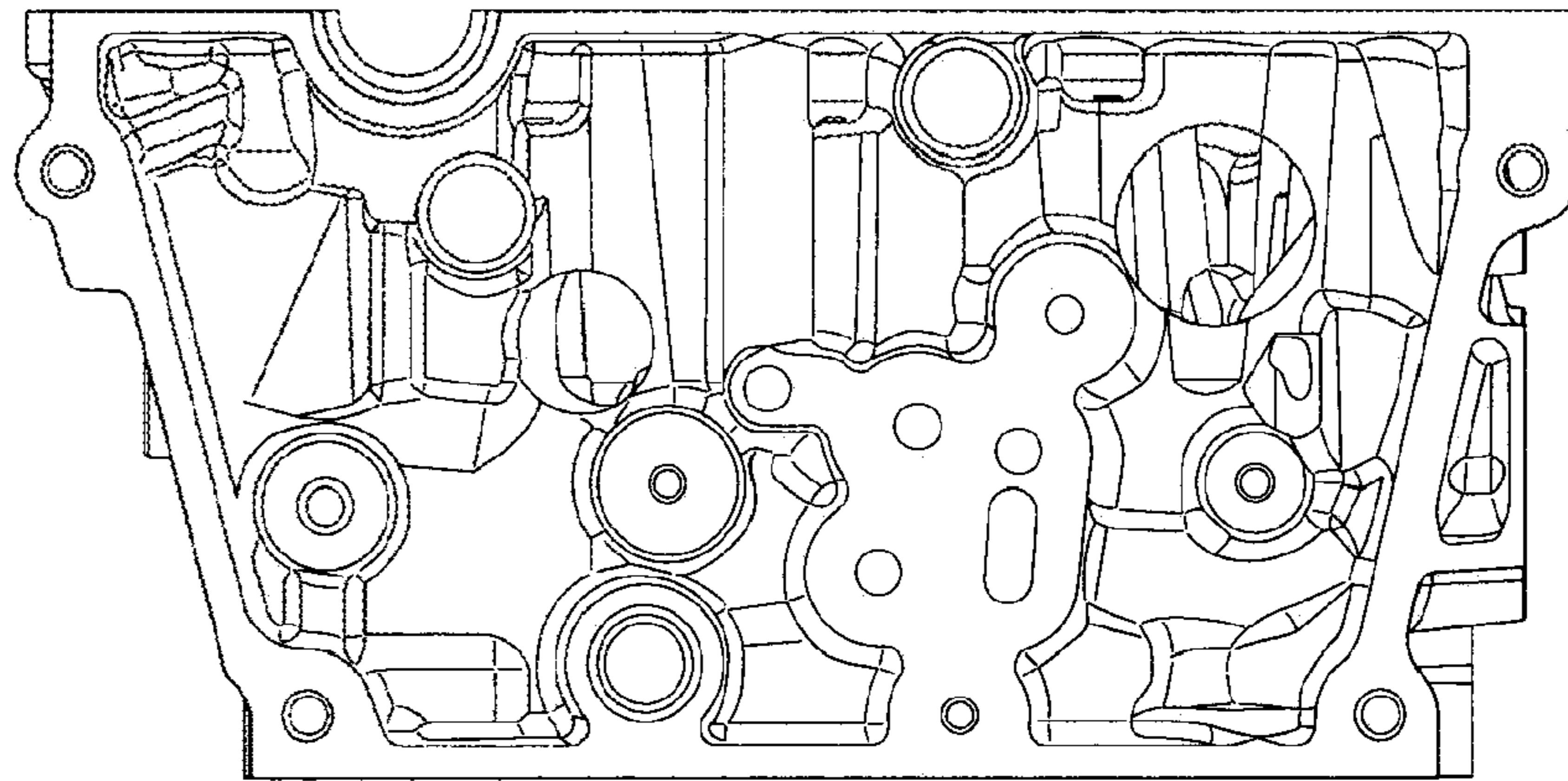


FIG.5

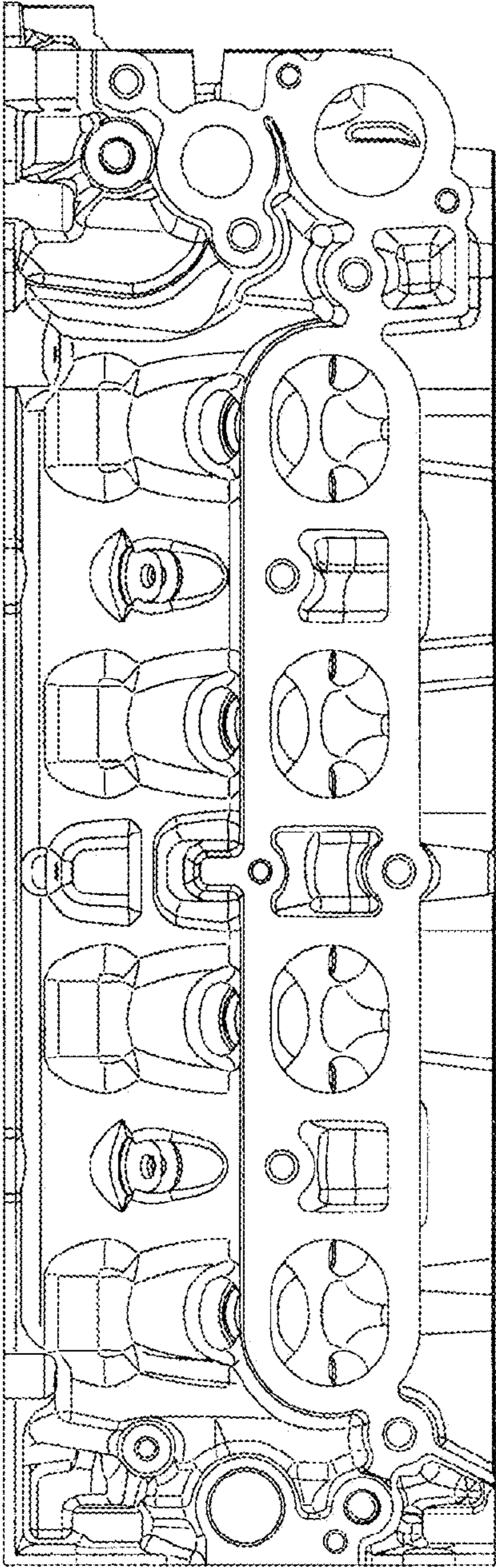


FIG.6

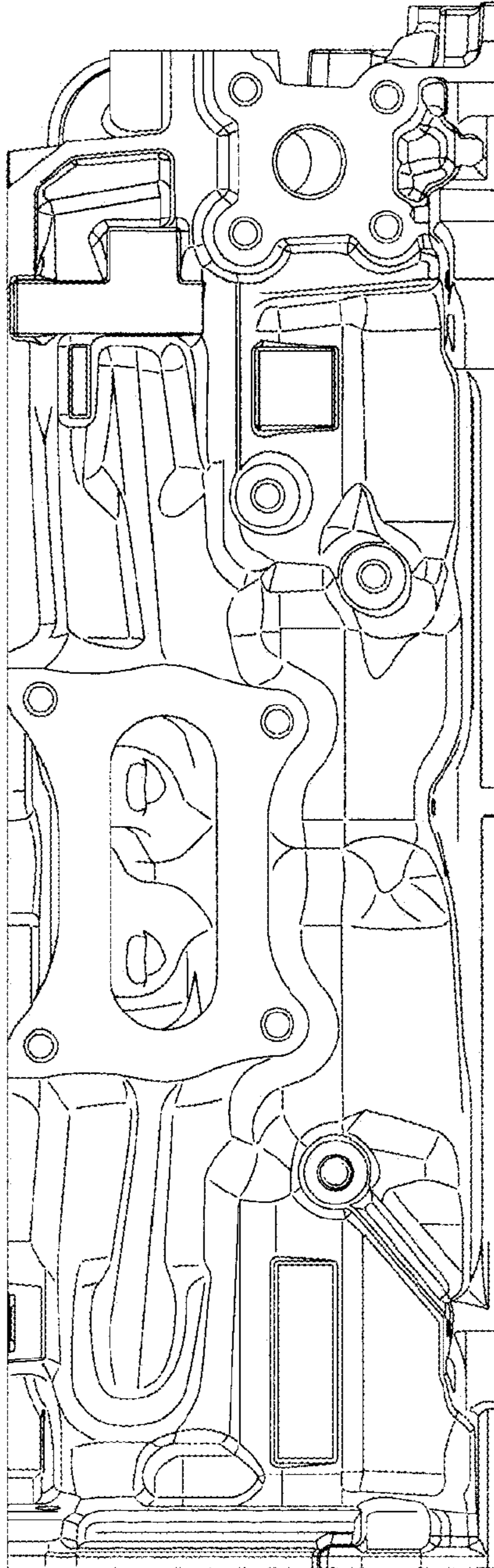


FIG.7

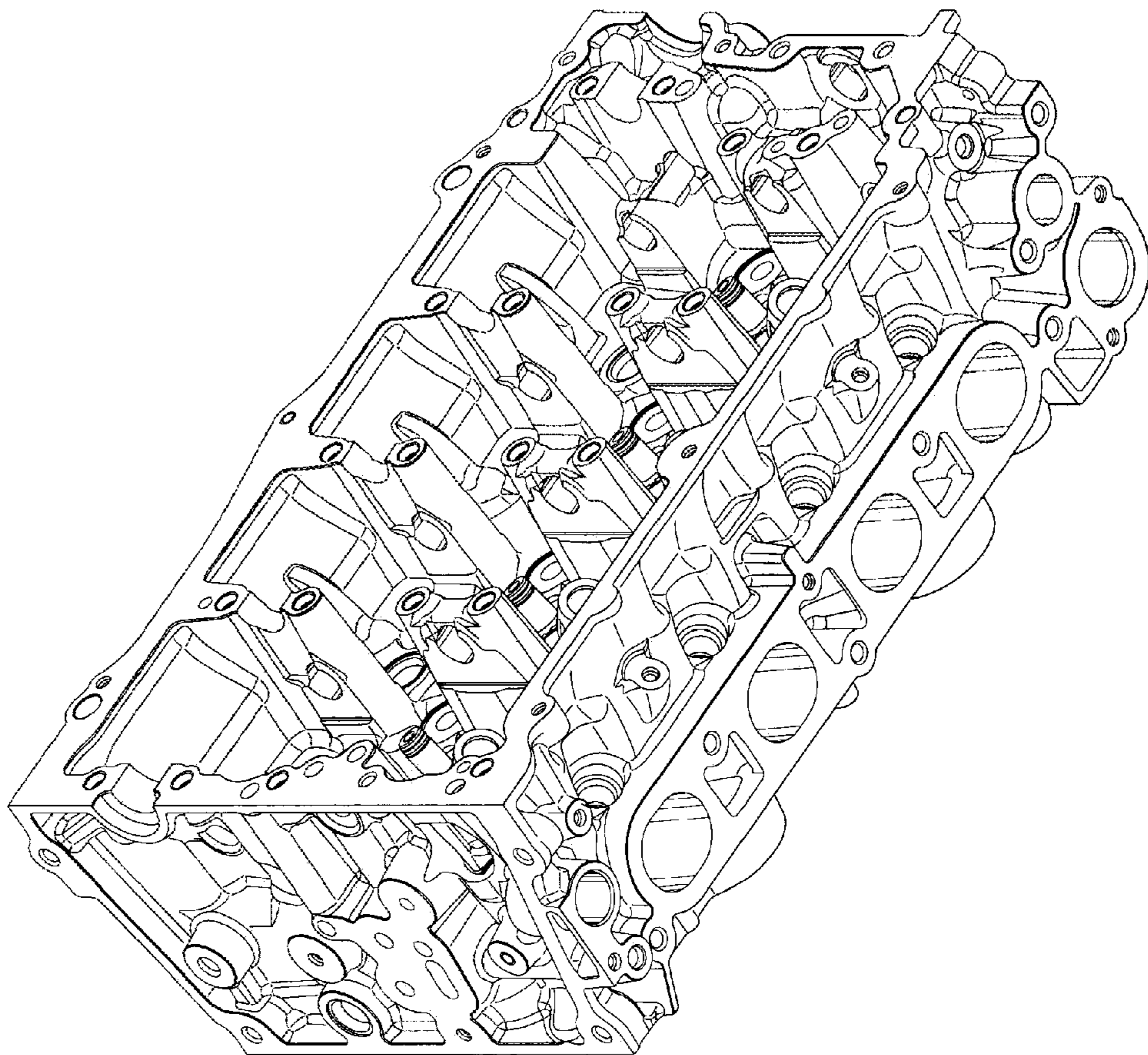


FIG.8

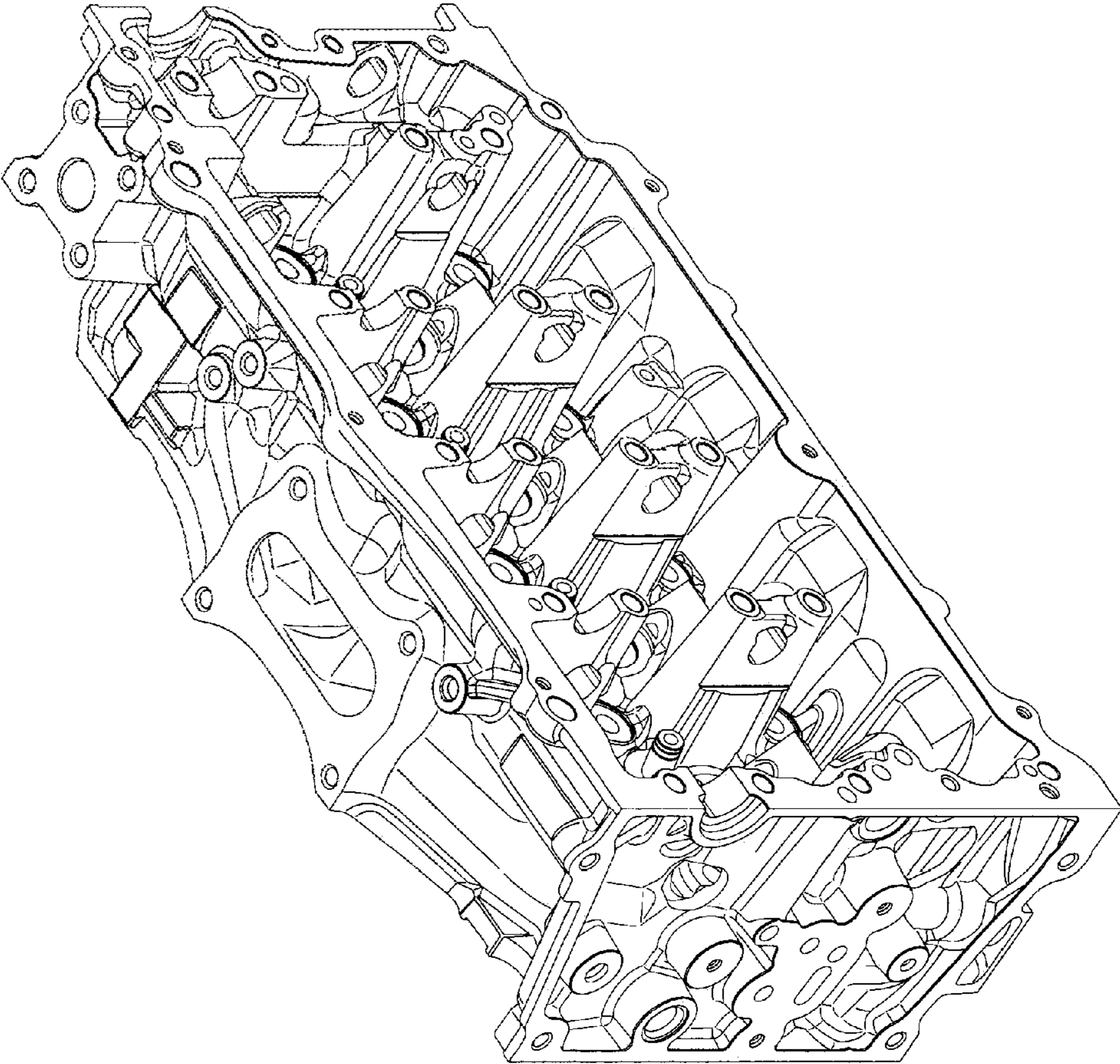


FIG.9

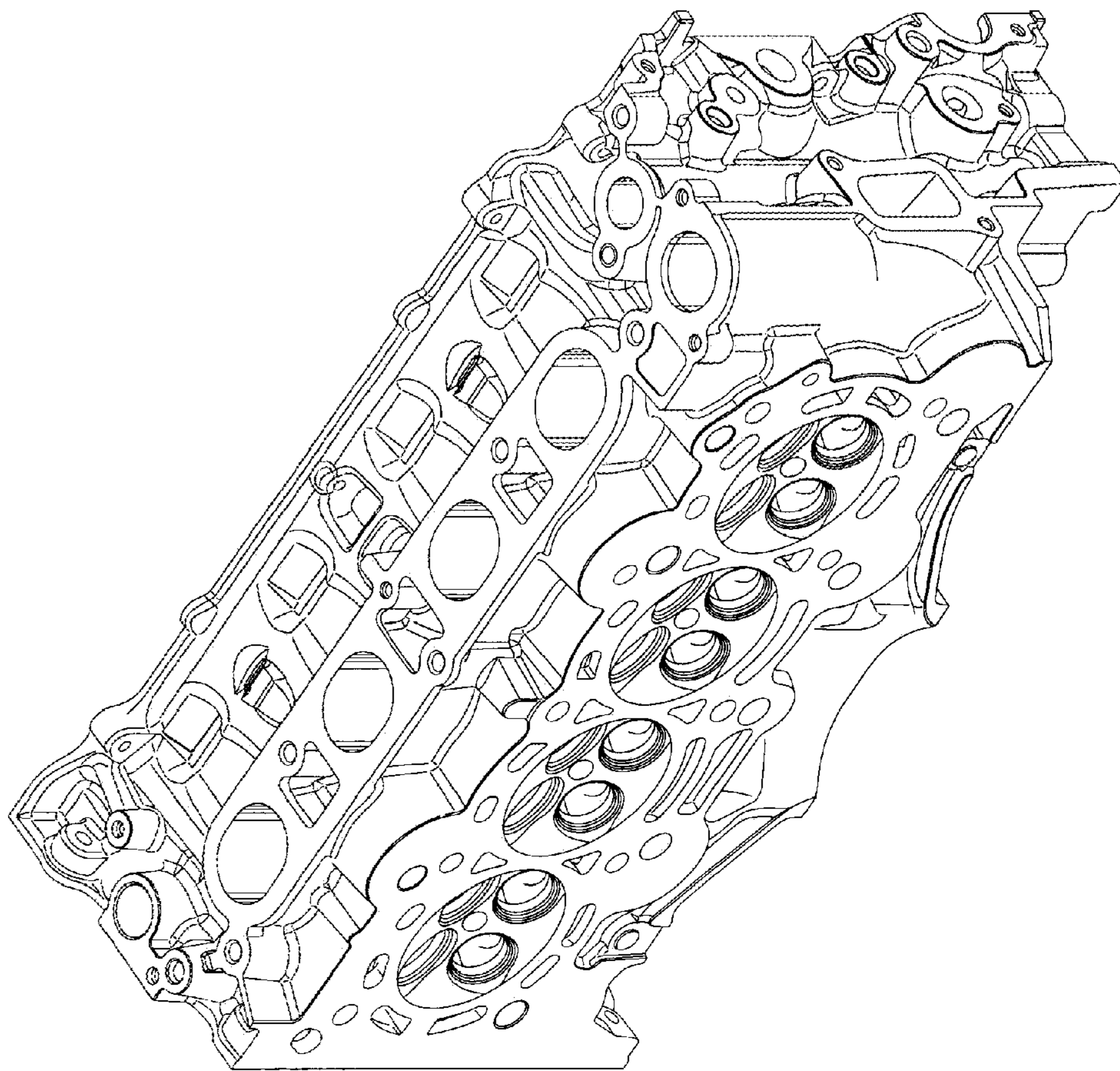


FIG.10

