



US00D715806S

(12) **United States Design Patent**  
**An et al.**

(10) **Patent No.:** **US D715,806 S**

(45) **Date of Patent:** **\*\* Oct. 21, 2014**

(54) **STAND FOR PORTABLE TERMINAL**

(56) **References Cited**

(71) Applicant: **Samsung Electronics Co., Ltd.**,  
Suwon-si (KR)

U.S. PATENT DOCUMENTS

(72) Inventors: **Dae-Geun An**, Seoul (KR); **In-Ho Baek**,  
Yongin-si (KR)

D430,884 S *	9/2000	Hung .....	D14/447
D454,332 S *	3/2002	Yokoyama .....	D13/108
D473,072 S *	4/2003	Seeley .....	D6/449
D530,273 S *	10/2006	Solland .....	D13/108
D532,744 S *	11/2006	Aglassinger .....	D13/108
D534,489 S *	1/2007	Klein et al. ....	D13/108
D558,192 S *	12/2007	Daly et al. ....	D14/251
D571,788 S *	6/2008	King et al. ....	D14/217
D622,274 S *	8/2010	Green .....	D14/447
D640,247 S *	6/2011	Baumann et al. ....	D14/253
D640,249 S *	6/2011	Choi .....	D14/253
D655,470 S *	3/2012	Best et al. ....	D32/52
D676,450 S *	2/2013	Lye .....	D14/447

(73) Assignee: **Samsung Electronics Co., Ltd.**,  
Suwon-si (KR)

(\*\*) Term: **14 Years**

(21) Appl. No.: **29/482,335**

(22) Filed: **Feb. 18, 2014**

\* cited by examiner

(30) **Foreign Application Priority Data**

*Primary Examiner* — Angela J Lee

Sep. 30, 2013 (KR) ..... 30-2013-0049431

(74) *Attorney, Agent, or Firm* — NSIP Law

(51) **LOC (10) Cl.** ..... **08-03**

(57) **CLAIM**

(52) **U.S. Cl.**

The ornamental design for a stand for portable terminal, as shown and described.

USPC ..... **D14/447**

**DESCRIPTION**

(58) **Field of Classification Search**

USPC ..... D14/447, 432, 433, 434, 439, 440, 451,  
D14/452, 457, 459, 460, 461, 251, 253, 448,  
D14/449, 450; D9/433, 455, 457; D20/10,  
D20/25; D6/672, 674, 674.1, 678, 682,  
D6/682.3; 40/124.05, 124.06, 124.07,  
40/124.08, 124.09, 124.14, 124.16, 539;  
248/917-924, 445, 447.1, 451, 456,  
248/459, 460, 150, 152, 174, 188.6, 176.1;  
361/679.02, 679.09, 679.21, 679.26,  
361/679.3, 679.27, 679.55, 679.56

FIG. 1 is a front perspective view of a stand for portable terminal showing our new design;  
FIG. 2 is a front view thereof;  
FIG. 3 is a rear view thereof;  
FIG. 4 is a left-side view thereof;  
FIG. 5 is a right-side view thereof;  
FIG. 6 is a top view thereof; and,  
FIG. 7 is a bottom view thereof.

The broken lines illustrating portions of the stand for portable terminal are for environmental purposes only and form no part of the claimed design.

See application file for complete search history.

**1 Claim, 7 Drawing Sheets**

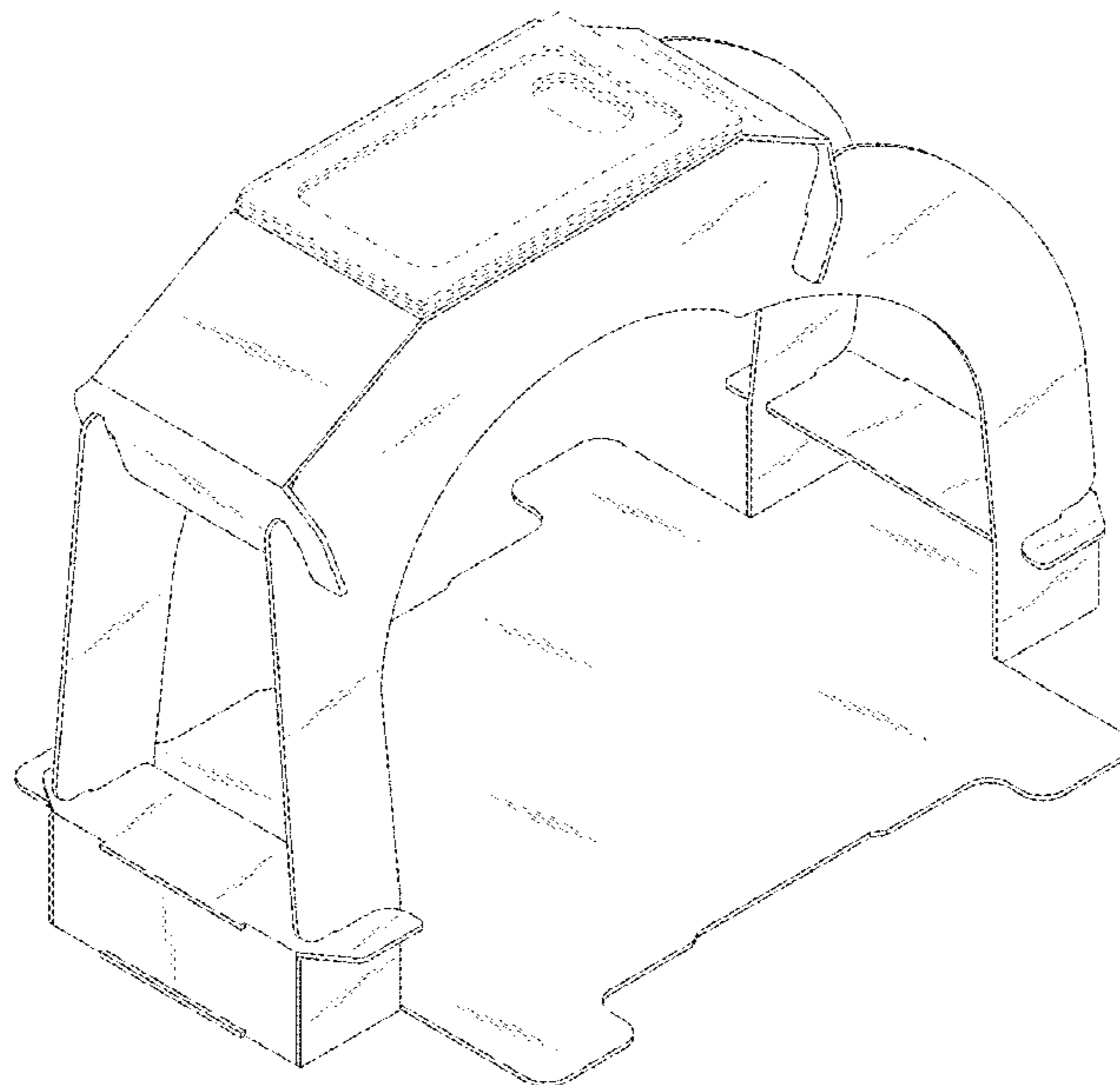


FIG.1

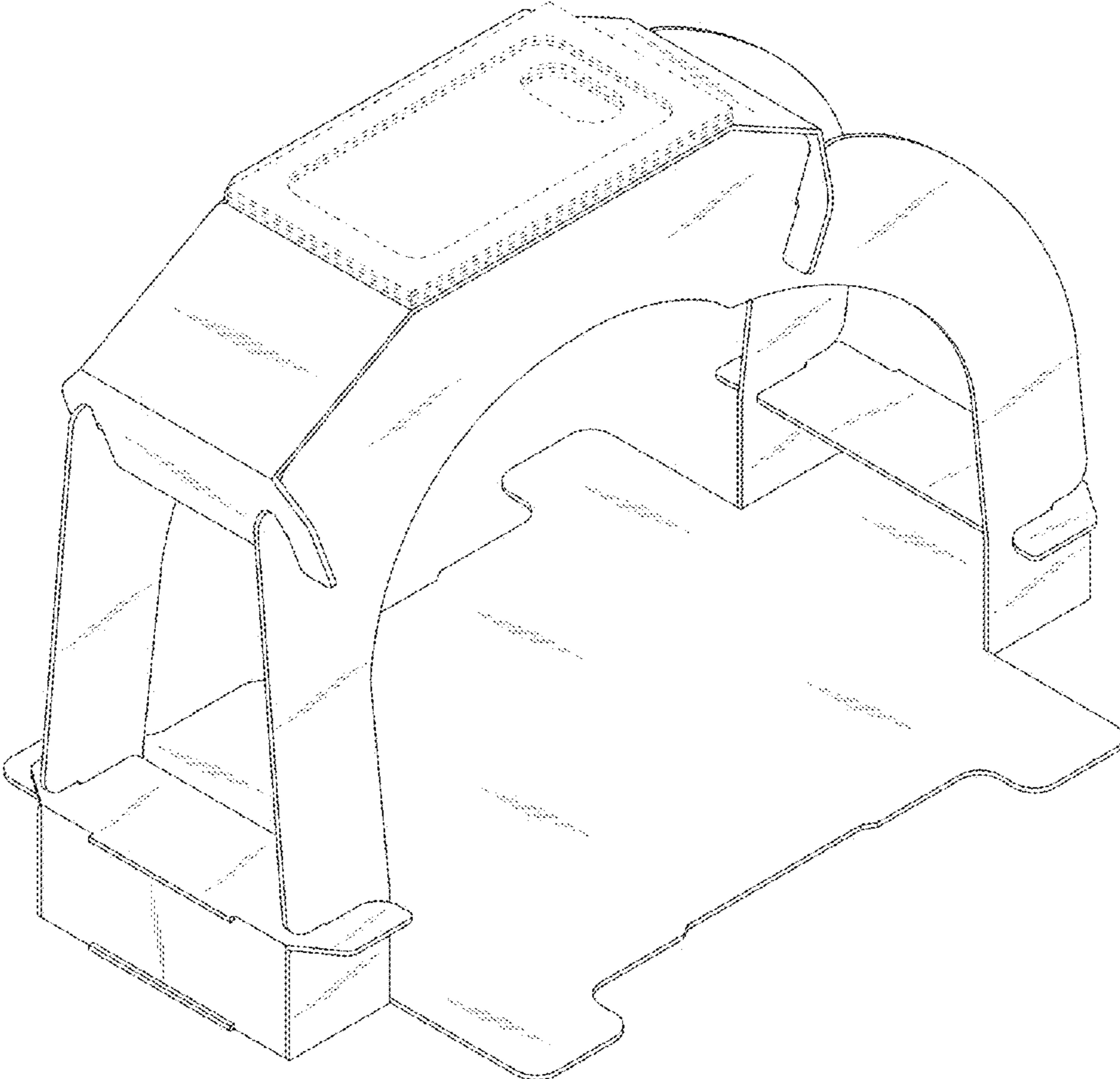


FIG.2

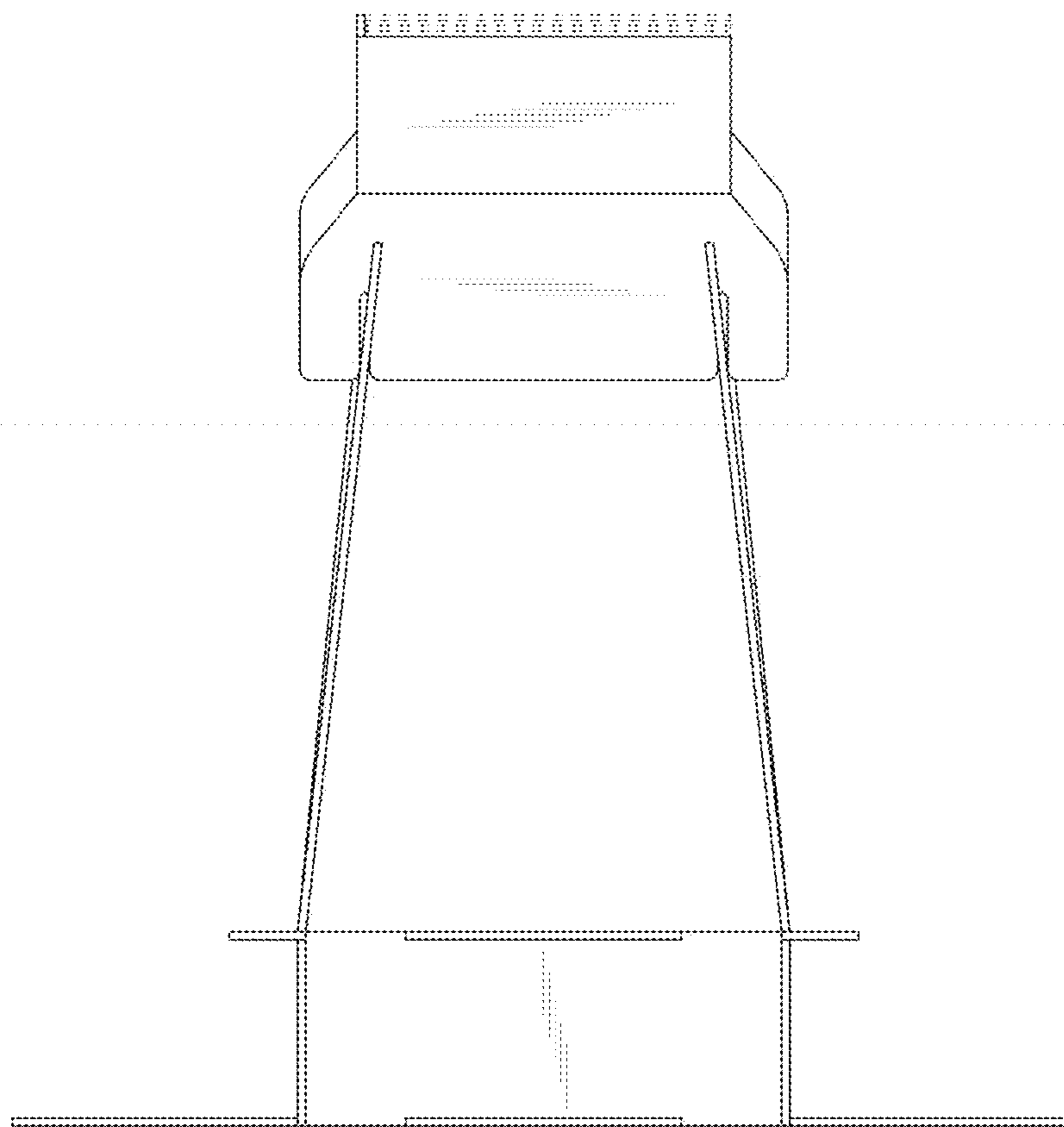


FIG.3

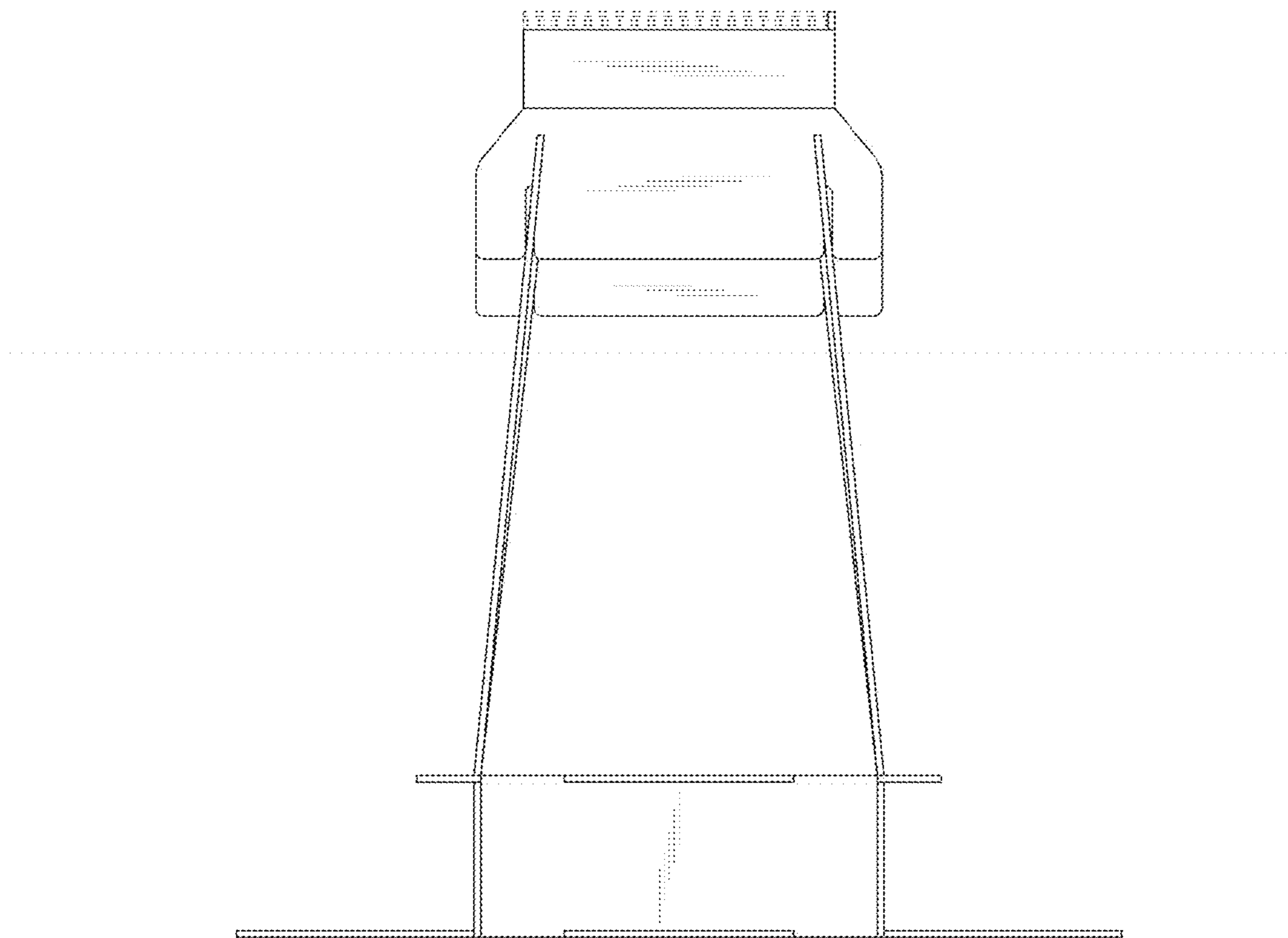


FIG.4

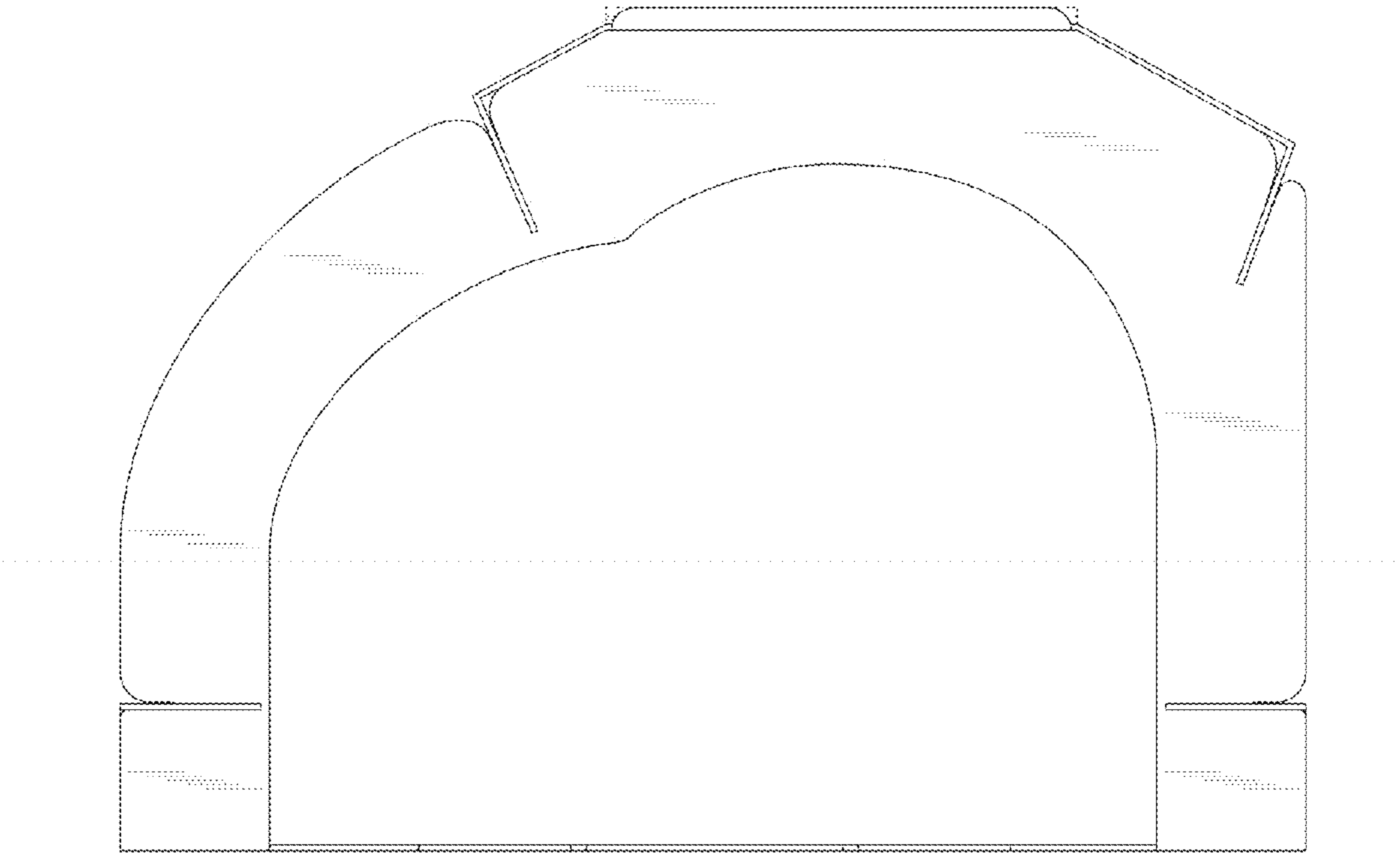


FIG.5

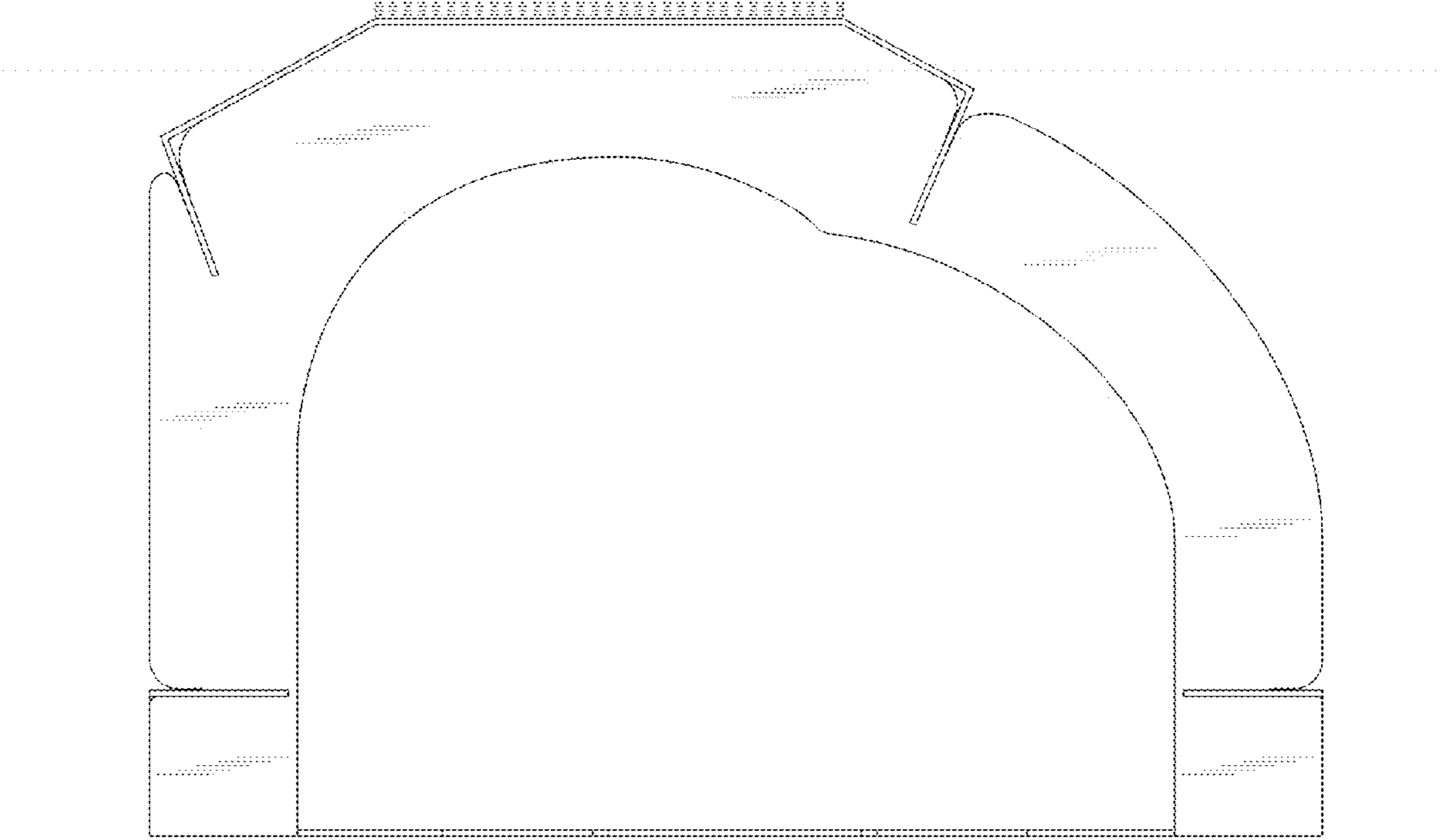


FIG.6

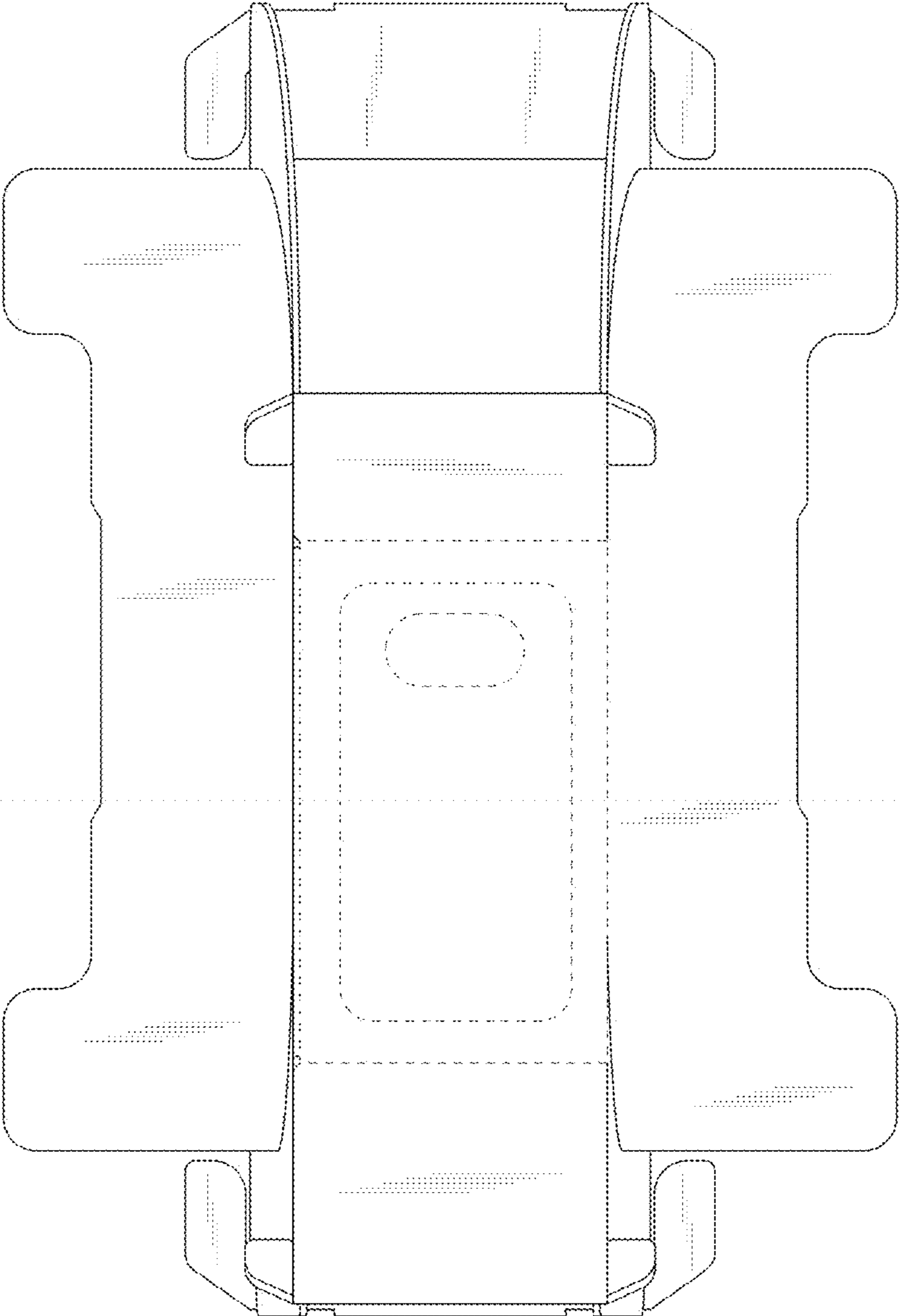




FIG.7

