



US00D715803S

(12) **United States Design Patent**
Major

(10) **Patent No.:** **US D715,803 S**

(45) **Date of Patent:** **** Oct. 21, 2014**

(54) **MOBILE DEVICE HOLDER WITH EXTENSION ARMS**

(71) Applicant: **Marc Robert Major**, Los Angeles, CA (US)

(72) Inventor: **Marc Robert Major**, Los Angeles, CA (US)

(**) Term: **14 Years**

(21) Appl. No.: **29/472,799**

(22) Filed: **Nov. 15, 2013**

(51) **LOC (10) Cl.** **08-03**

(52) **U.S. Cl.**
USPC **D14/447**

(58) **Field of Classification Search**
USPC D14/447, 432, 433, 434, 439, 440, 451, D14/452, 457, 459, 460, 461, 251, 253, 448, D14/449, 450; D9/433, 455, 457; D20/10, D20/25; D6/672, 674, 674.1, 678, 682, D6/682.3; 40/124.05, 124.06, 124.07, 40/124.08, 124.09, 124.14, 124.16, 539; 248/917-924, 445, 447.1, 451, 456, 248/459, 460, 150, 152, 174, 188.6, 176.1; 361/679.02, 679.09, 679.21, 679.26, 361/679.3, 679.27, 679.55, 679.56

See application file for complete search history.

(56) **References Cited**

U.S. PATENT DOCUMENTS

D337,762 S * 7/1993 Crane D14/451
D500,099 S * 12/2004 Gioffre D21/627

D572,216 S * 7/2008 Lin D14/126
D572,681 S * 7/2008 Lin D14/126
D576,120 S * 9/2008 Lin D14/126
D620,010 S * 7/2010 Chiu D14/448
D653,668 S * 2/2012 Song et al. D14/447
D669,462 S * 10/2012 Avrahami et al. D14/253
D677,261 S * 3/2013 Hsu et al. D14/447
D682,283 S * 5/2013 Tak et al. D14/447
D687,428 S * 8/2013 Kim et al. D14/253
D687,832 S * 8/2013 Edwards et al. D14/447
2012/0006950 A1 * 1/2012 Vandiver 248/176.3

* cited by examiner

Primary Examiner — Angela J Lee

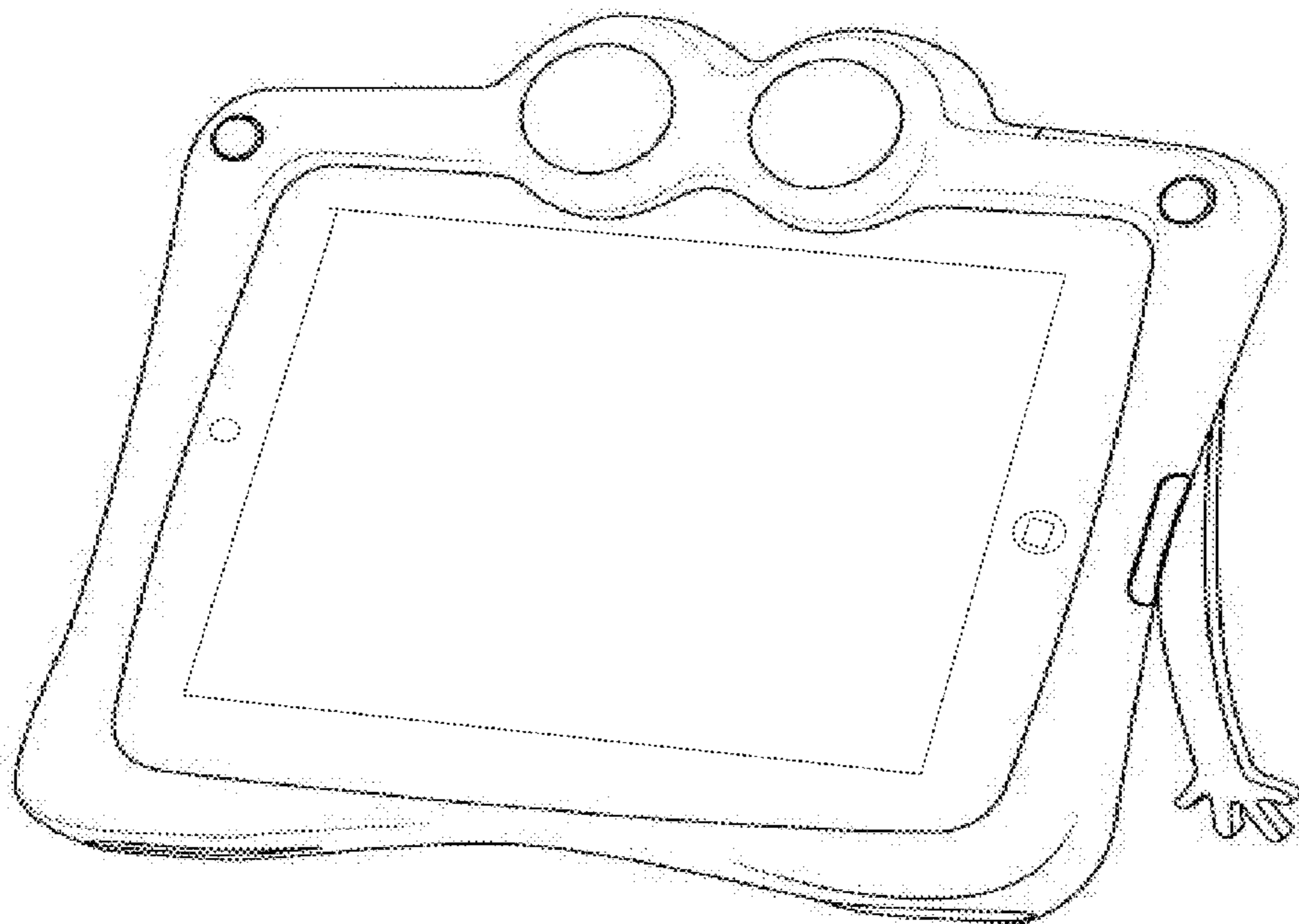
(57) **CLAIM**

The ornamental design for a mobile device holder with extension arms, as shown and described.

DESCRIPTION

FIG. 1 is a front perspective view of a mobile device holder with extension arms showing our new design; FIG. 2 is a back perspective view thereof, but showing an extension arm in an alternate position; FIG. 3 is a front view thereof, but with the extension arms shown in an alternate position; FIG. 4 is a back view thereof; FIG. 5 is a bottom view thereof; FIG. 6 is a left perspective view thereof; and, FIG. 7 is a right perspective view thereof. The broken lines shown herein are included for the purpose of illustrating portions of a mobile device that forms no part of the claimed design.

1 Claim, 7 Drawing Sheets



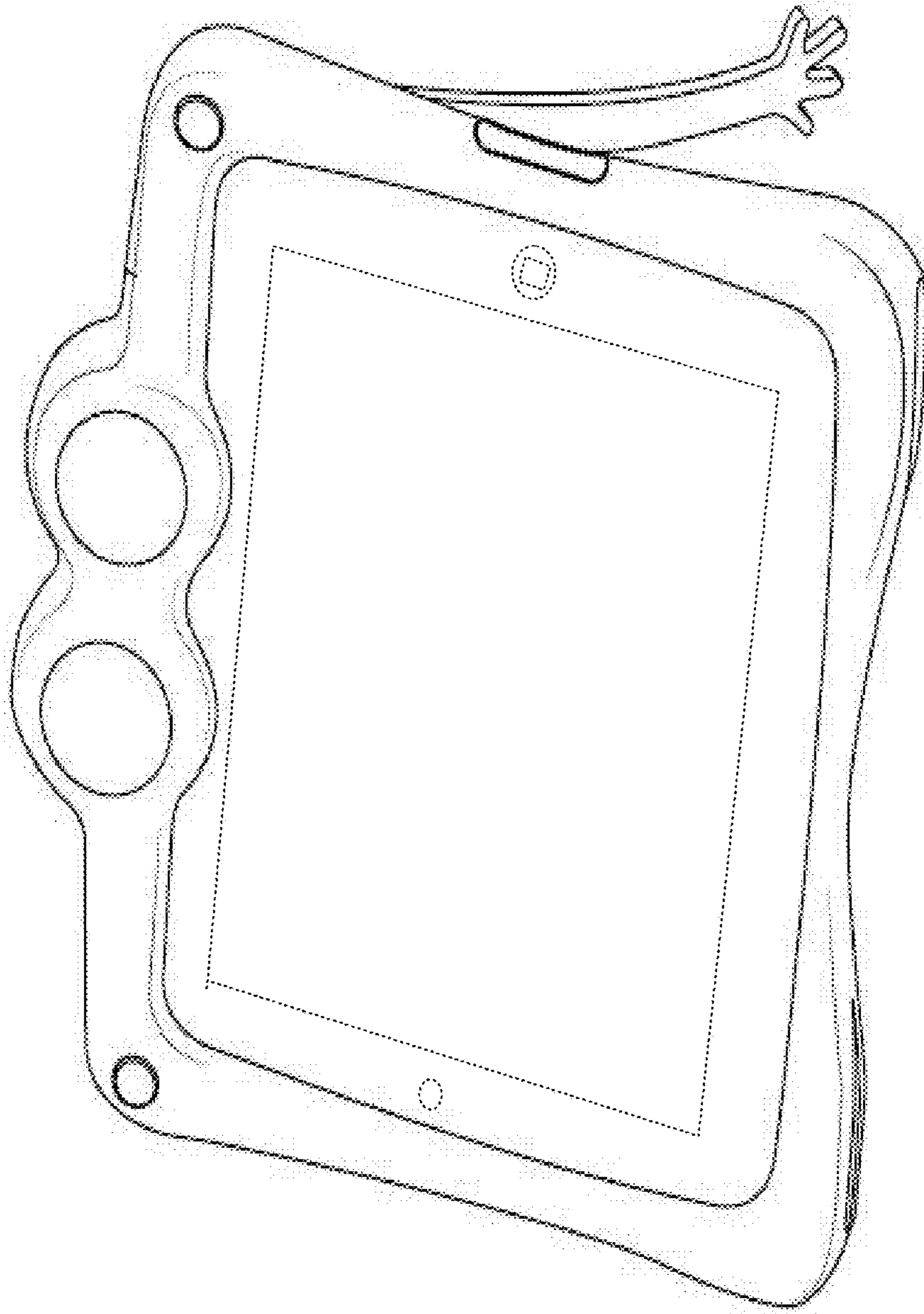


FIG. 1

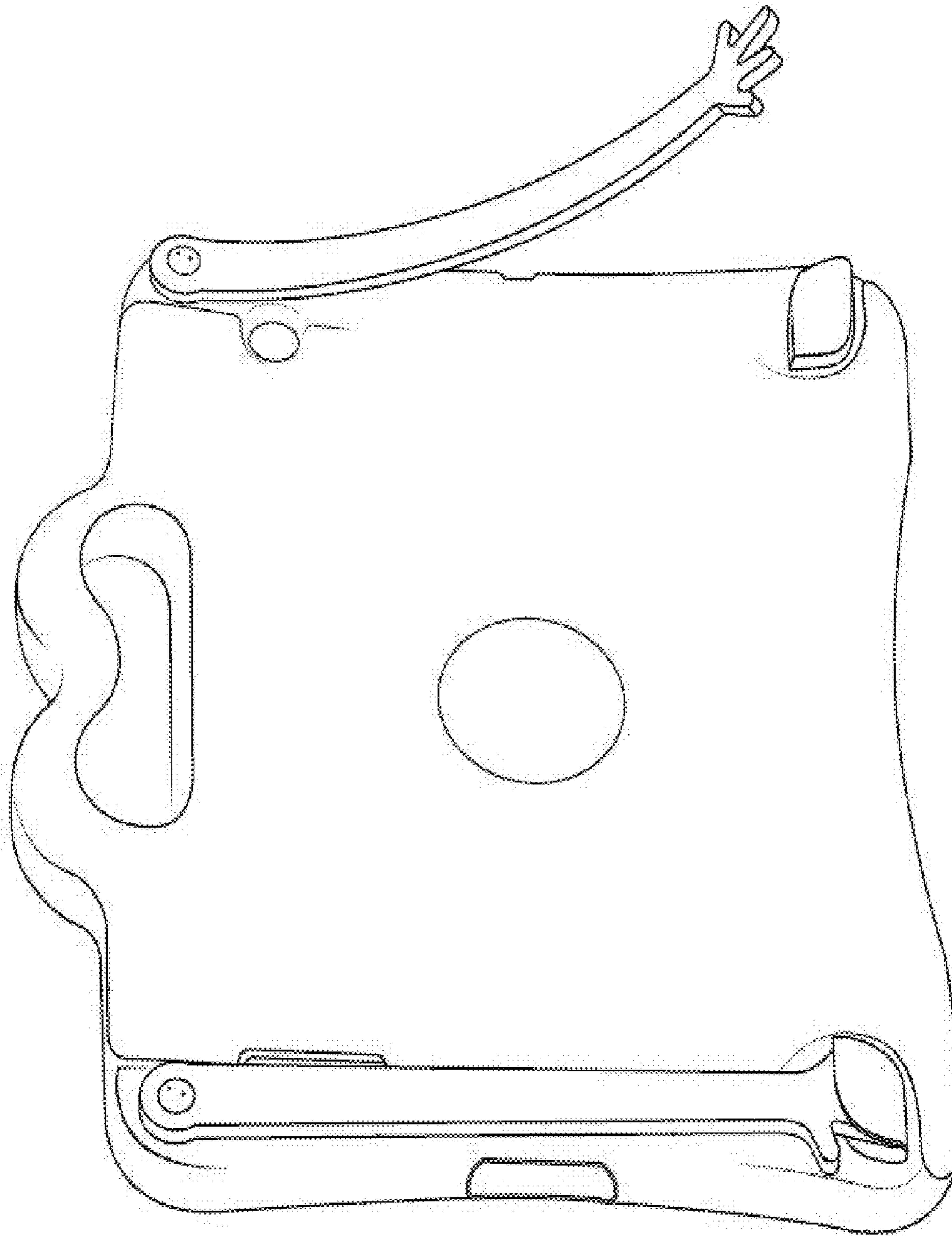


FIG. 2

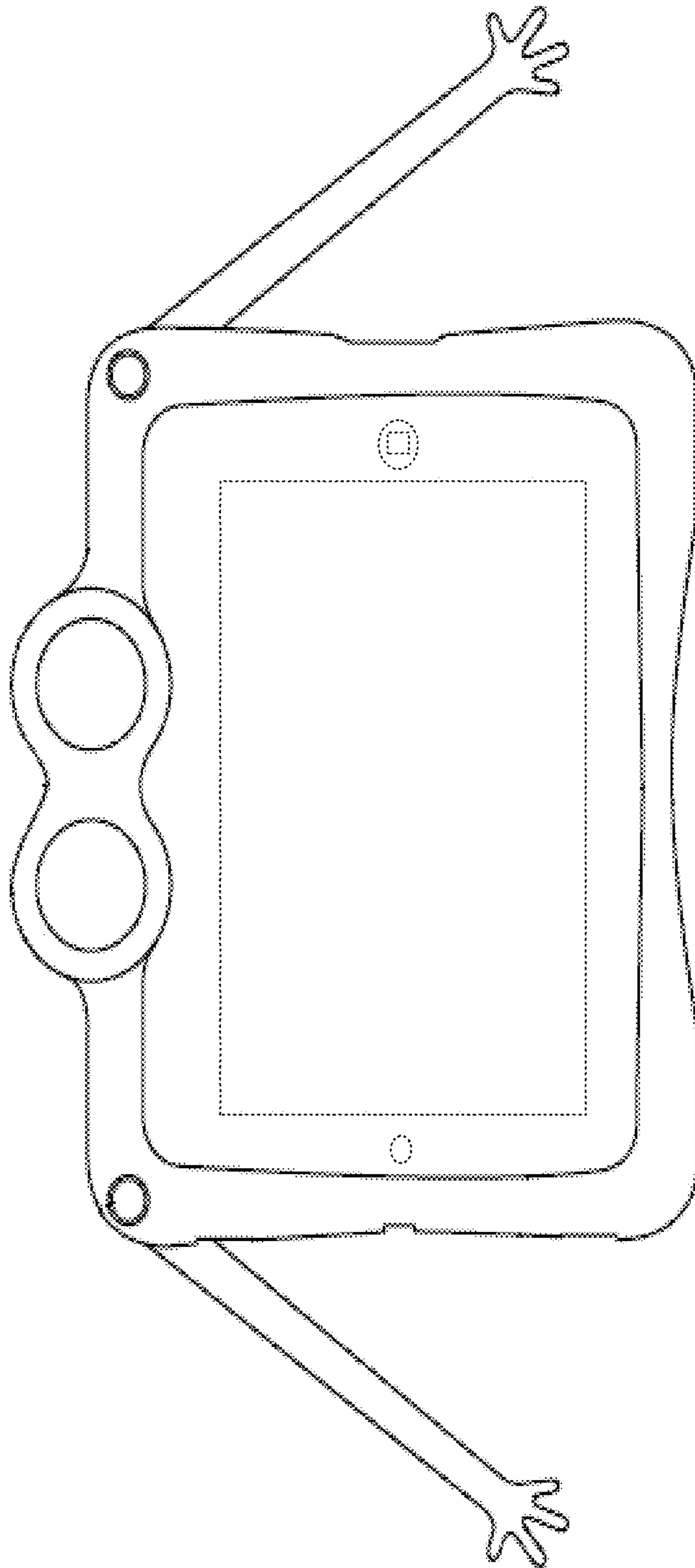


FIG. 3

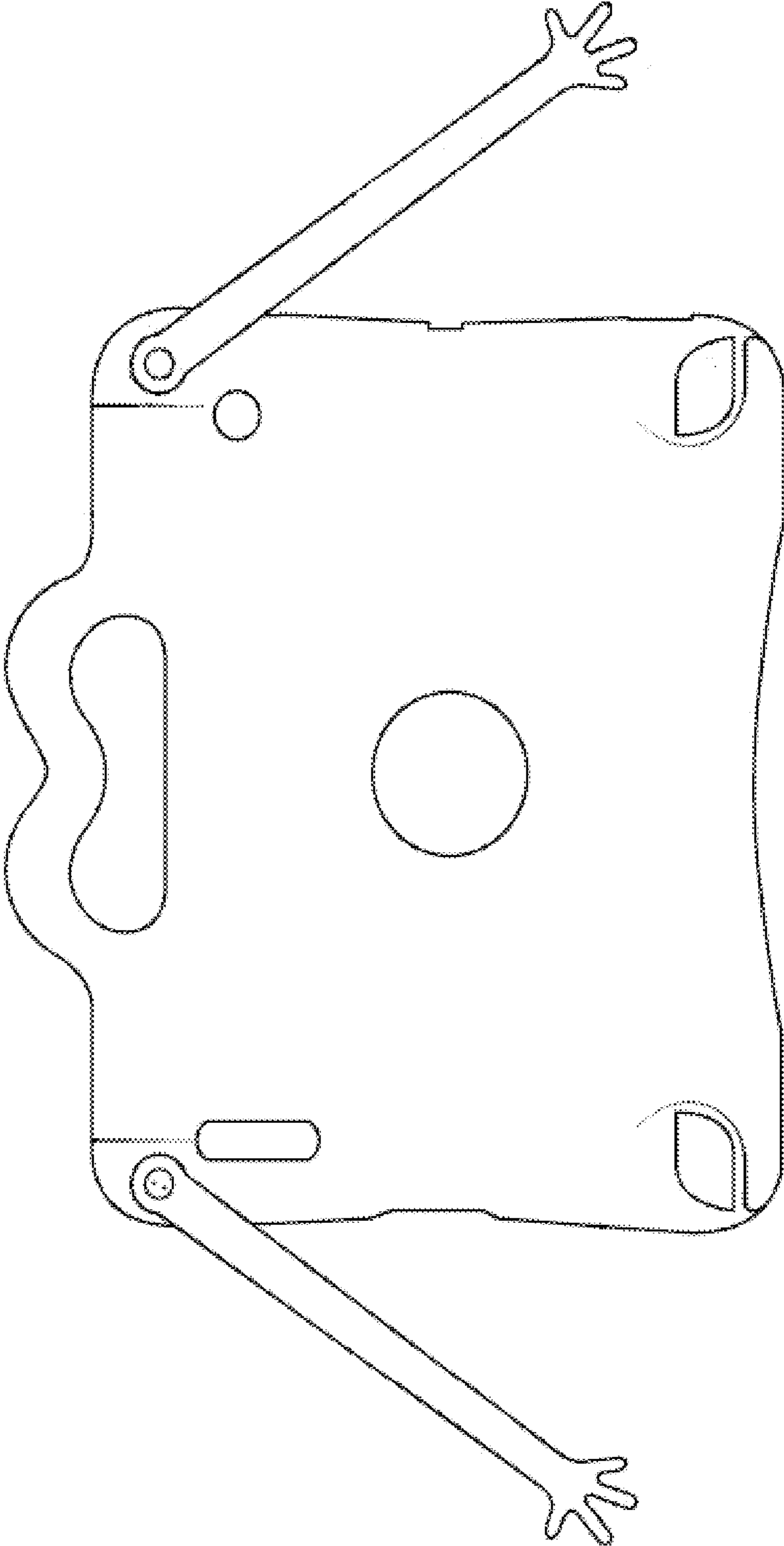


FIG. 4

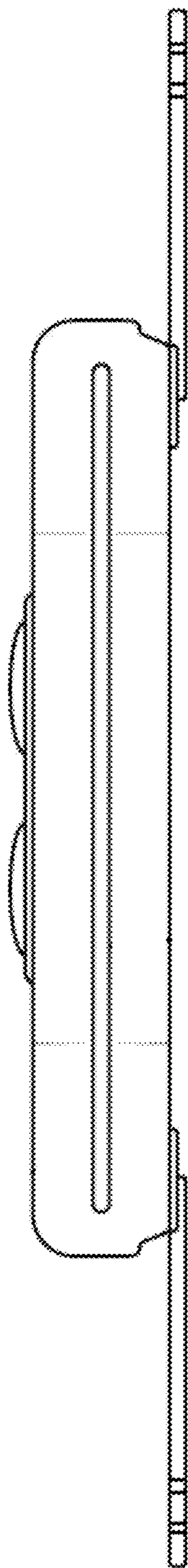


FIG. 5

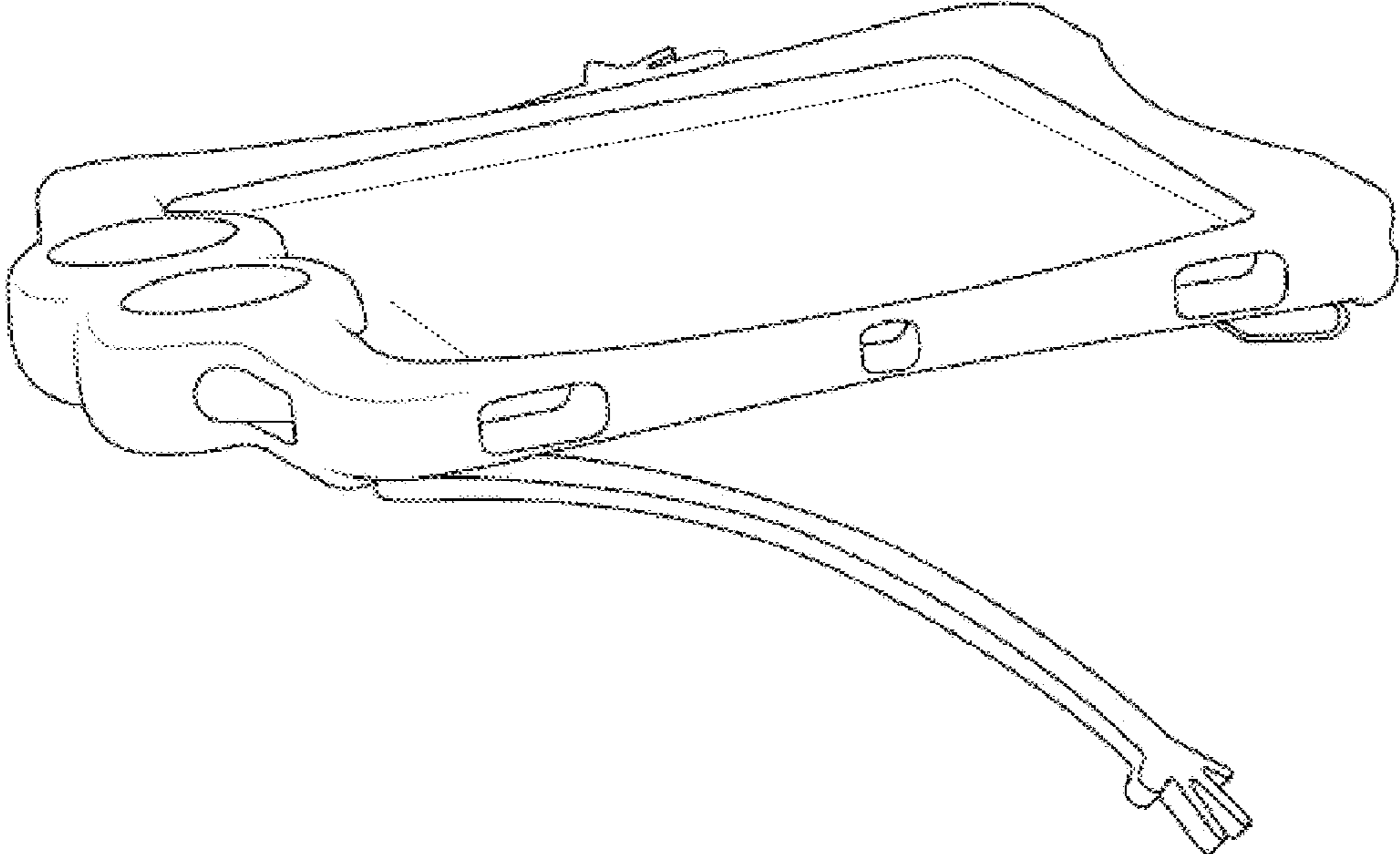


FIG. 6

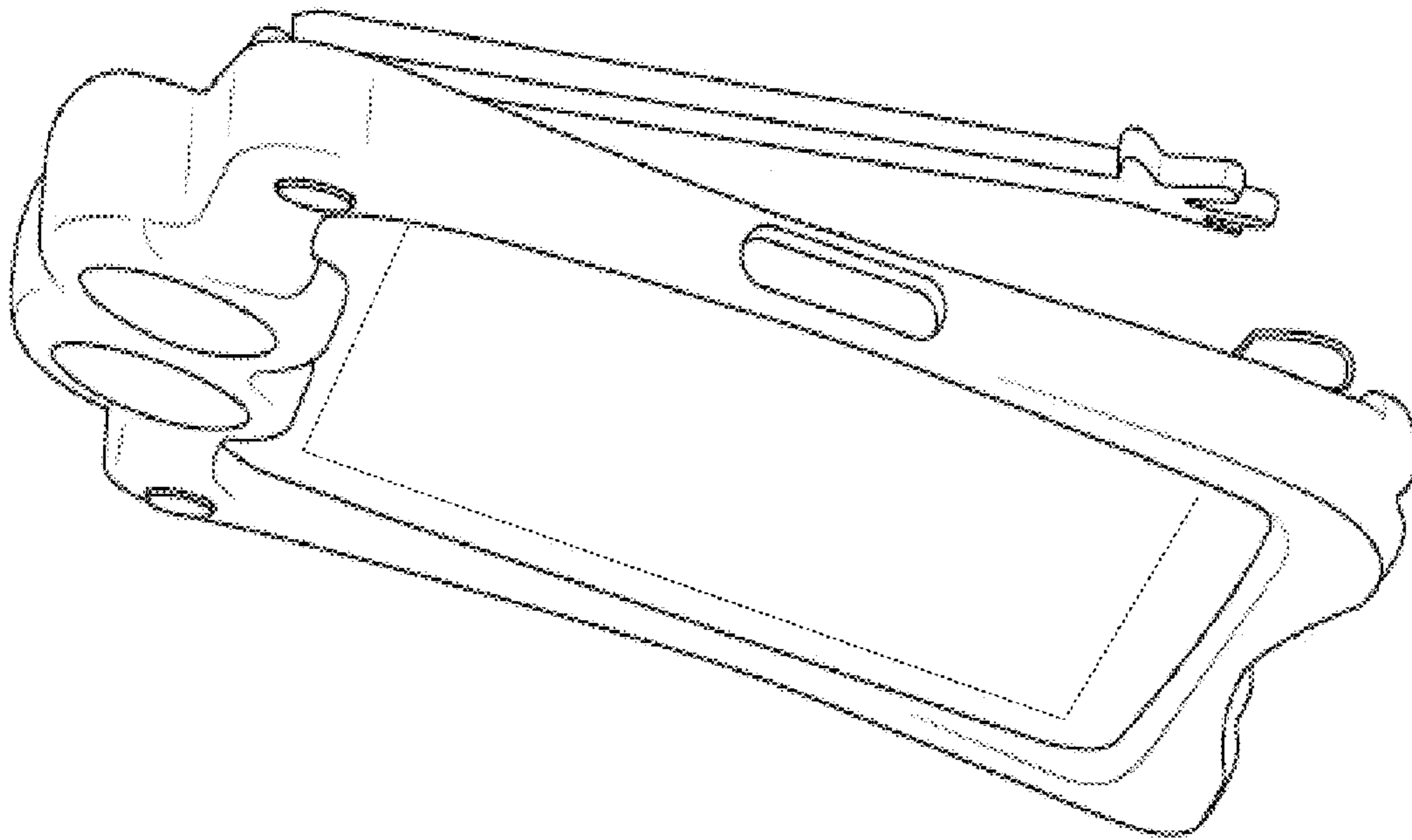


FIG. 7