



US00D715798S

(12) **United States Design Patent**  
**De La Cruz et al.**

(10) **Patent No.:** **US D715,798 S**  
(45) **Date of Patent:** **\*\* Oct. 21, 2014**

(54) **INFORMATION DISPLAY**

(71) Applicant: **Caterpillar Inc.**, Peoria, IL (US)

(72) Inventors: **Victoria A. De La Cruz**, Peoria, IL (US); **Douglas J. Carlton**, Edwards, IL (US); **Scott D. Larson**, Brimfield, IL (US); **David L. Zwetz, II**, Morton, IL (US); **Richard E. Randell**, Dunlap, IL (US)

(73) Assignee: **Caterpillar Inc.**, Peoria, IL (US)

(\*\*) Term: **14 Years**

(21) Appl. No.: **29/452,872**

(22) Filed: **Apr. 23, 2013**

(51) **LOC (10) Cl.** ..... **14-02**

(52) **U.S. Cl.**  
USPC ..... **D14/371**

(58) **Field of Classification Search**  
USPC ..... D14/371-375, 125-129, 336, 337, 314;  
341/12; 345/104, 156, 168, 173;  
348/180, 184, 325, 739; 349/1, 2, 11,  
349/62; 361/679.05-679.07, 679.21;  
D6/300, 308

See application file for complete search history.

(56) **References Cited**

U.S. PATENT DOCUMENTS

D349,691 S \* 8/1994 Takeichi et al. .... D14/339  
7,145,769 B2 \* 12/2006 Chen ..... 361/679.26  
D596,175 S \* 7/2009 Viertola et al. .... D14/314  
D651,220 S \* 12/2011 Ohtonen ..... D15/28  
2006/0238529 A1 \* 10/2006 Lavelle et al. .... 345/204

\* cited by examiner

*Primary Examiner* — Freda S Nunn

(74) *Attorney, Agent, or Firm* — Finnegan, Henderson, Farabow, Garrett & Dunner LLP

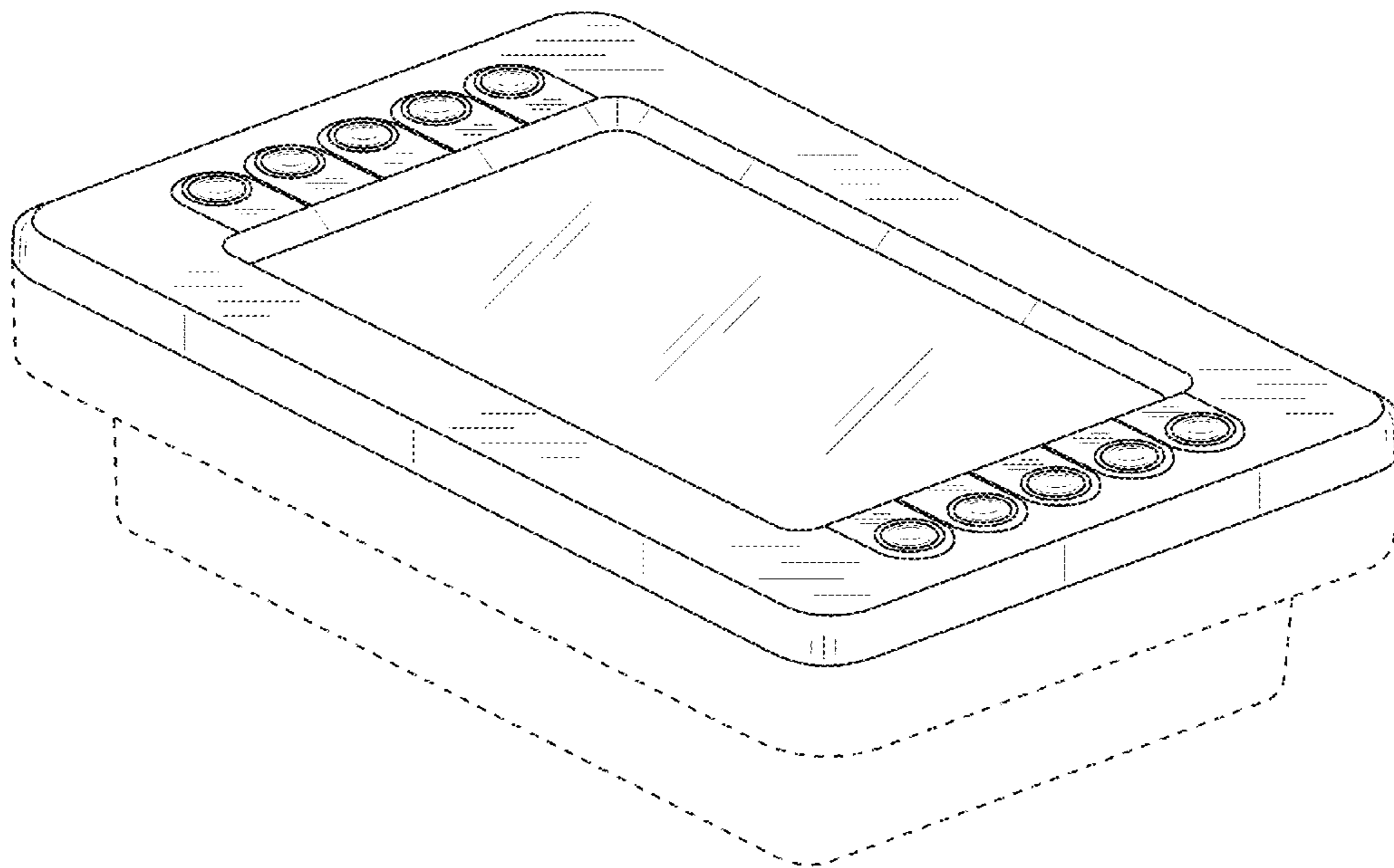
(57) **CLAIM**

The ornamental design for an information display, as shown and described.

**DESCRIPTION**

FIG. 1 is a front bottom perspective view of an information display, showing our new design;  
FIG. 2 is a front elevation view thereof;  
FIG. 3 is a rear view thereof;  
FIG. 4 is a top plan view thereof;  
FIG. 5 is a bottom view thereof;  
FIG. 6 is a right side view thereof; and,  
FIG. 7 is a left side view thereof.  
The portions depicted in broken lines of even length are environment and form no part of the claimed design.

**1 Claim, 7 Drawing Sheets**



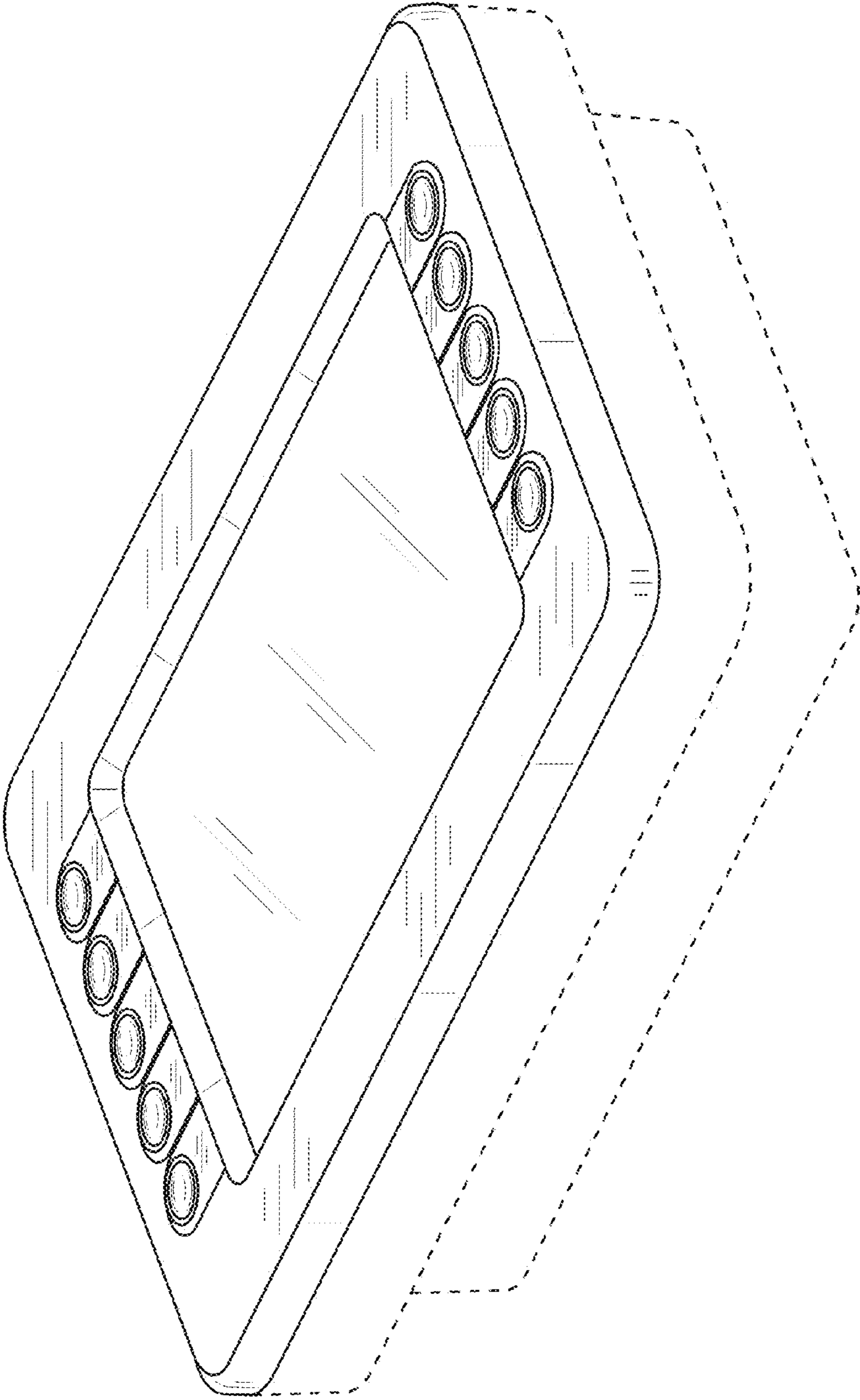
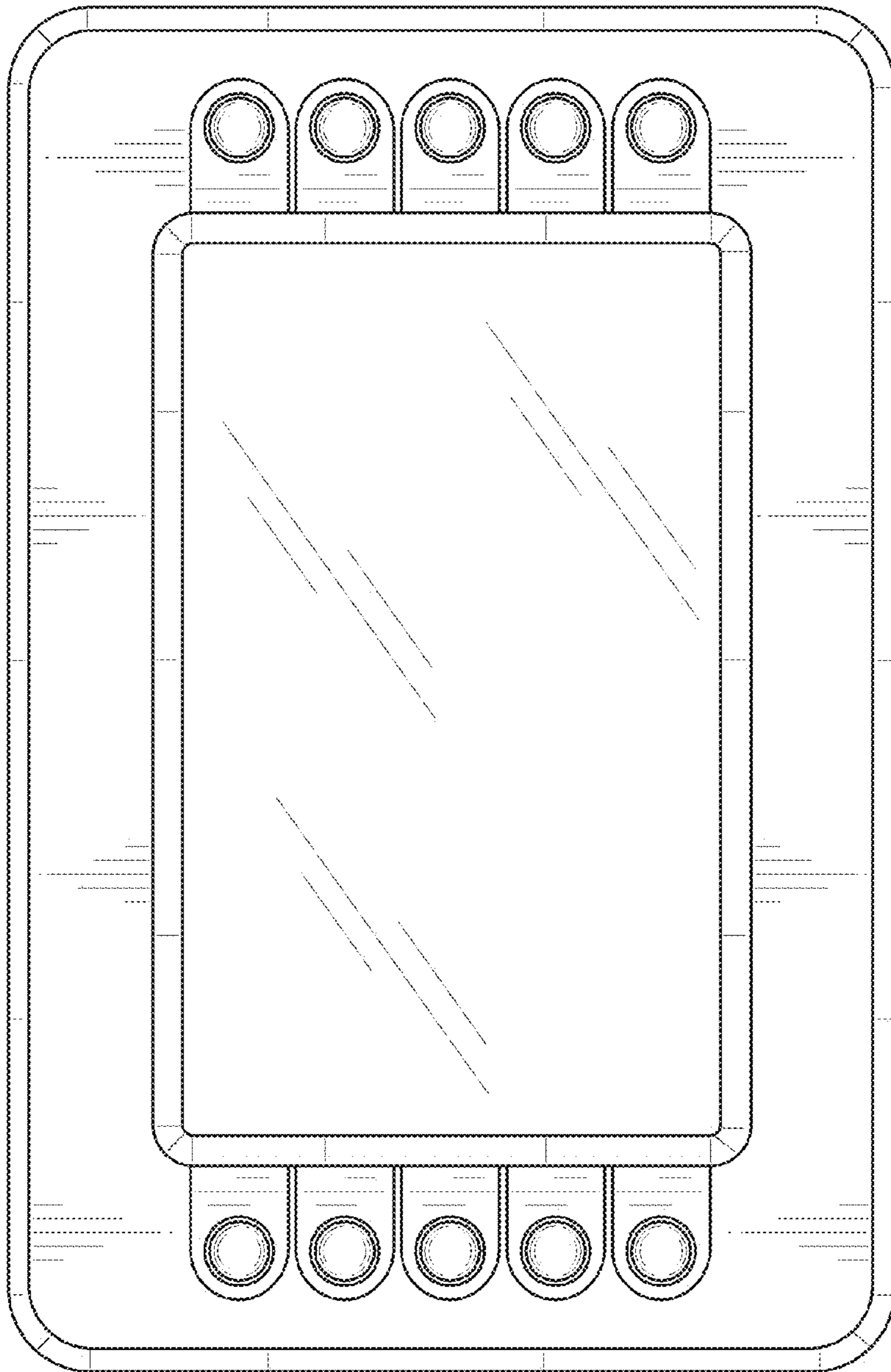
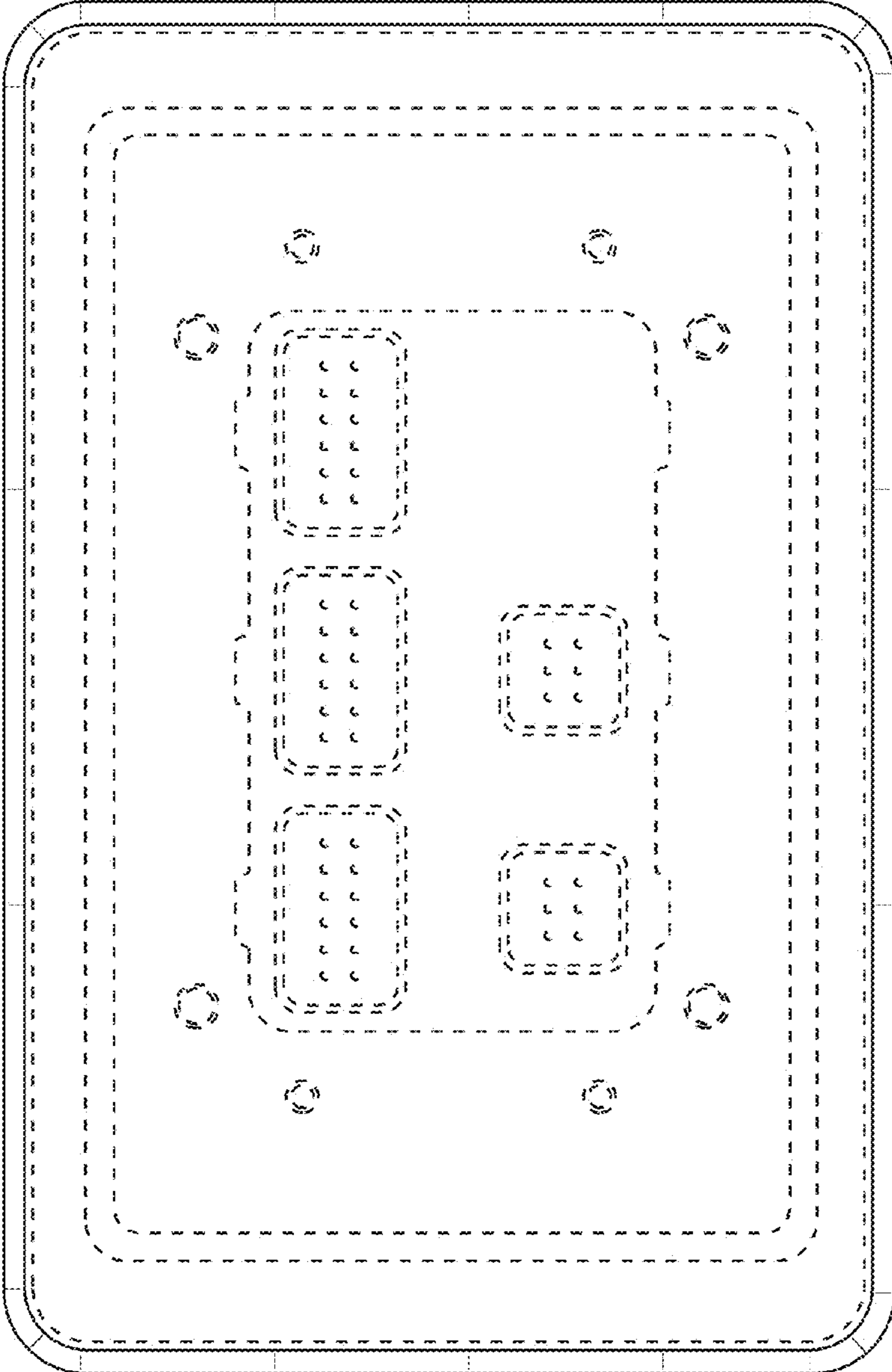


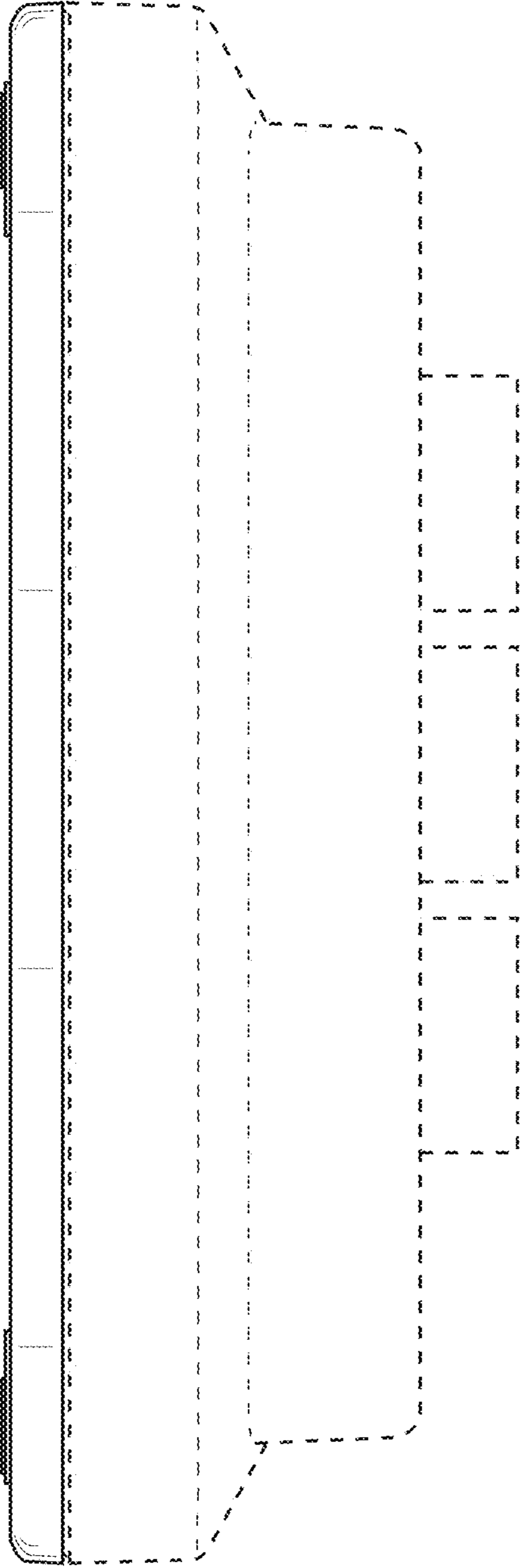
FIG. 1



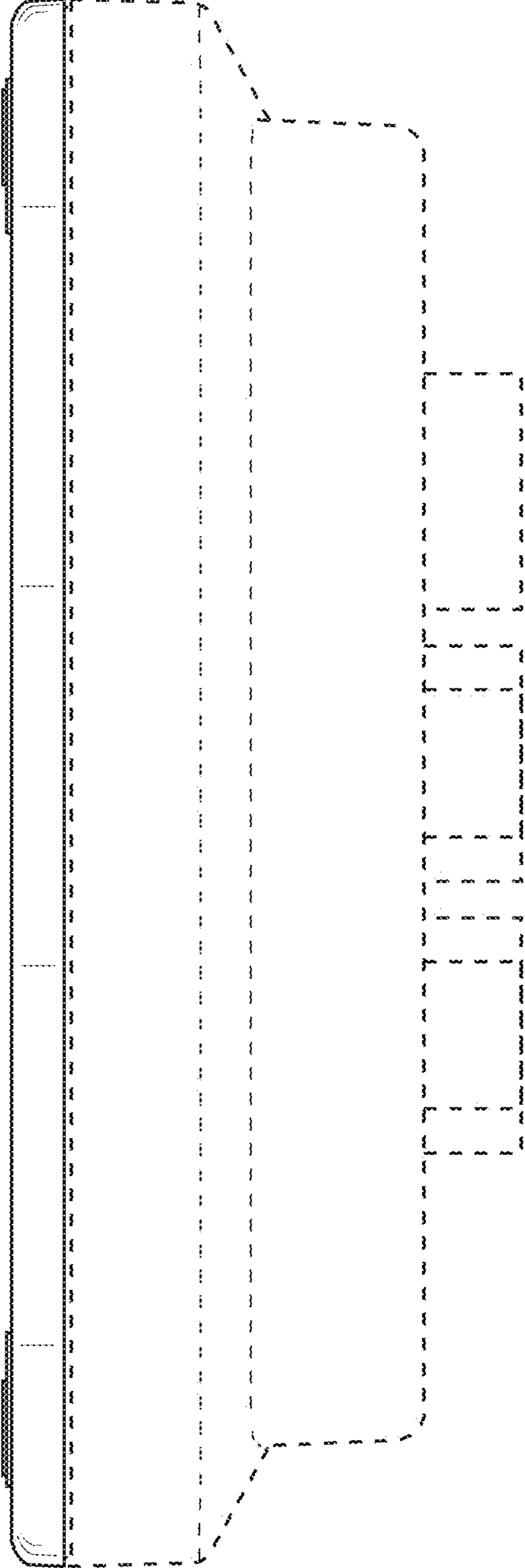
**FIG. 2**



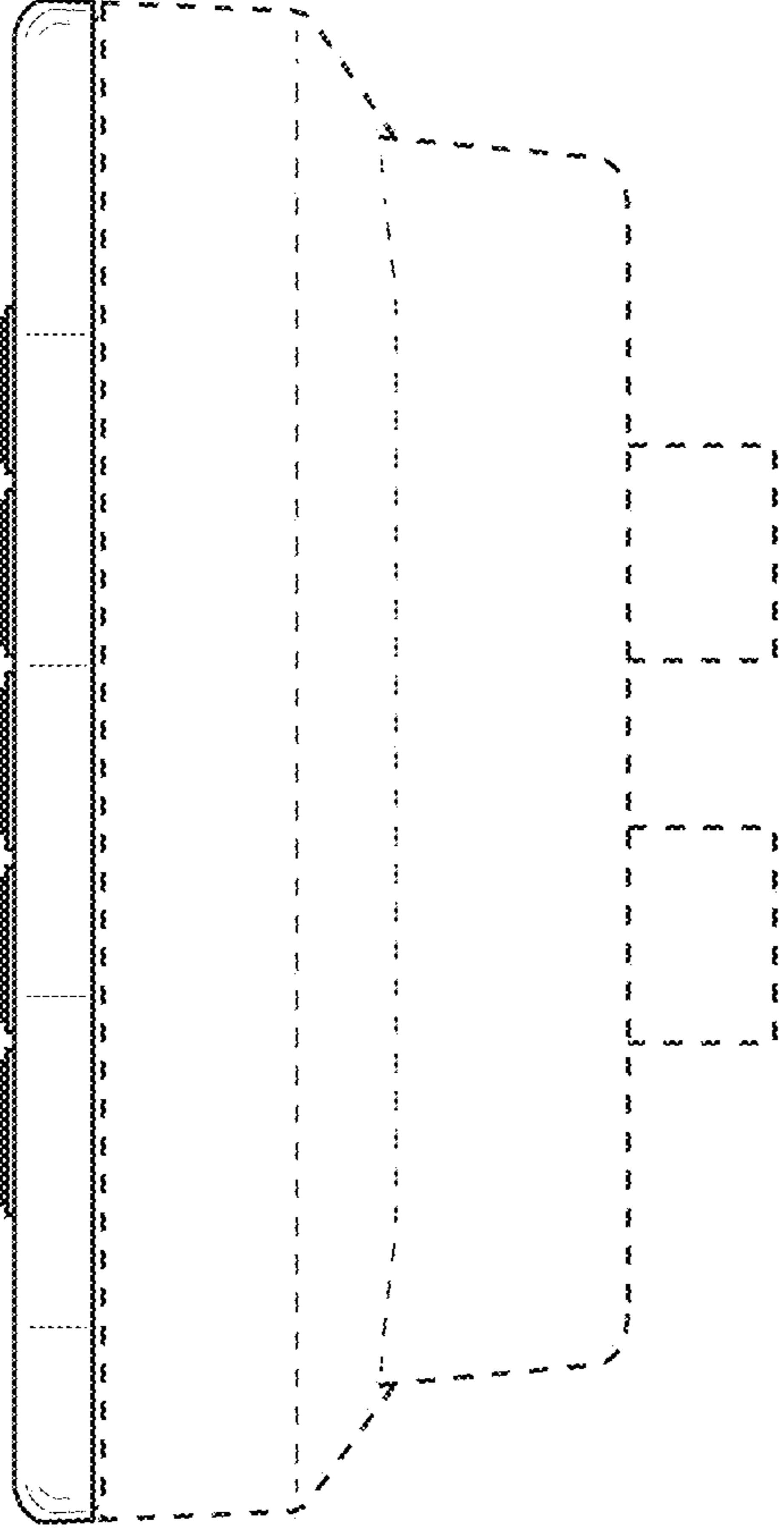
**FIG. 3**



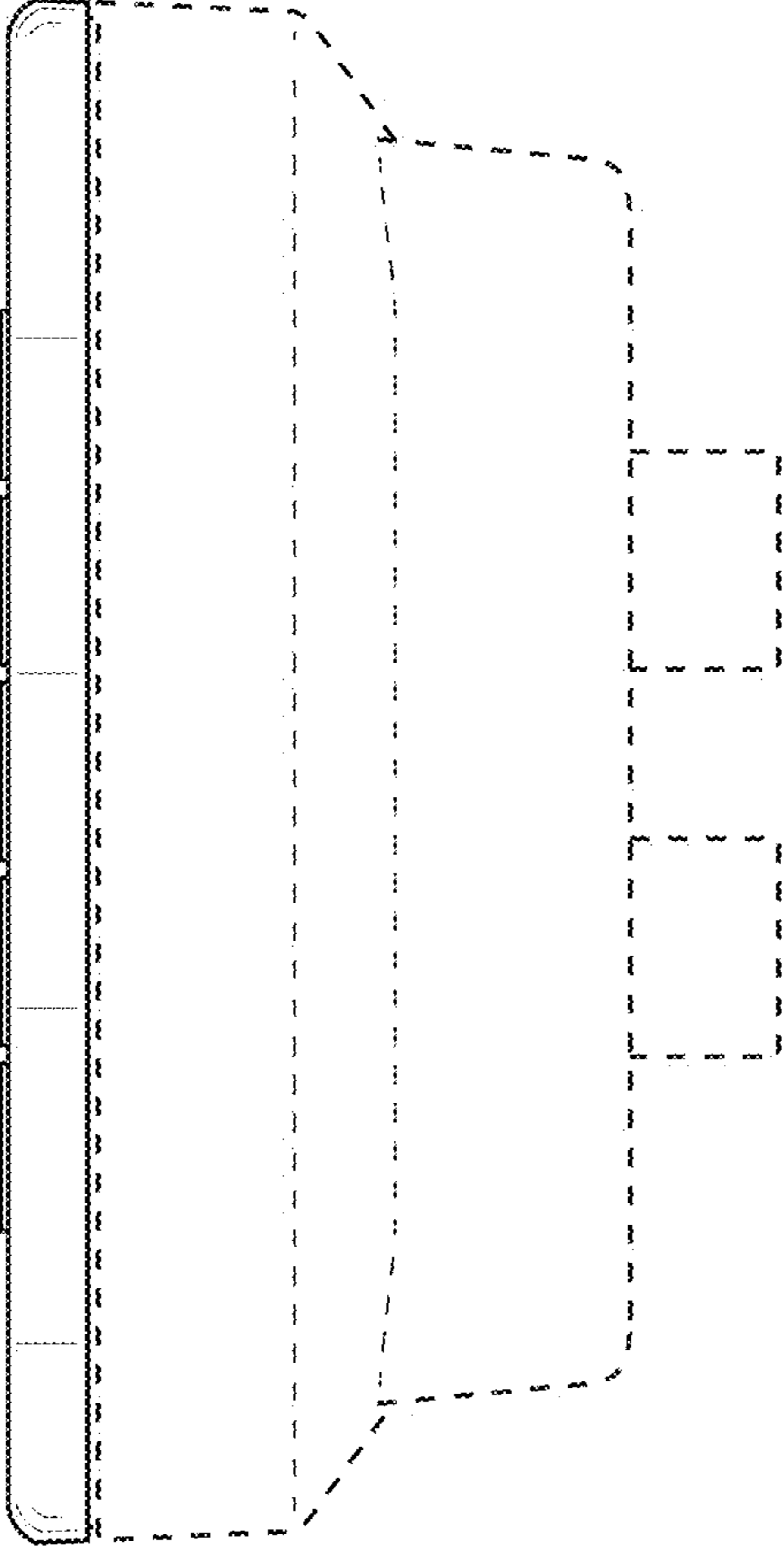
**FIG. 4**



**FIG. 5**



**FIG. 6**



**FIG. 7**