



US00D715797S

(12) **United States Design Patent**
Hiraga

(10) **Patent No.:** **US D715,797 S**
(45) **Date of Patent:** **** Oct. 21, 2014**

(54) **INFORMATION COMMUNICATION
TERMINAL**

(71) Applicant: **Funai Electric Co., Ltd.**, Daito (JP)

(72) Inventor: **Naotake Hiraga**, Daito (JP)

(73) Assignee: **Funai Electric Co., Ltd.**, Osaka (JP)

(**) Term: **14 Years**

(21) Appl. No.: **29/440,865**

(22) Filed: **Dec. 28, 2012**

(30) **Foreign Application Priority Data**

Sep. 13, 2012 (JP) 2012-022217

(51) **LOC (10) Cl.** **14-02**

(52) **U.S. Cl.**
USPC **D14/358**; D14/356

(58) **Field of Classification Search**
USPC 320/107, 108-115; 345/173-174;
455/556.1; 720/669; D3/216, 218;
D6/466; D8/396; D10/65, 78, 104,
D10/104.1, 105.1, 106.1; D13/78, 103, 108,
D13/110, 139.1-139.7, 158, 171, 184;
D14/125, 138 G, 155, 168, 188, 203.3,
D14/217, 240, 242

See application file for complete search history.

(56) **References Cited**

U.S. PATENT DOCUMENTS

D297,518 S *	9/1988	Yuen	D10/106.1
D316,847 S *	5/1991	Rowen et al.	D13/168
D317,593 S *	6/1991	Rowen	D13/168
D568,312 S *	5/2008	Wang et al.	D14/356
D640,646 S *	6/2011	Wu et al.	D14/125
D660,794 S *	5/2012	Fahrendorff et al.	D13/108
D672,355 S *	12/2012	Lee et al.	D14/447
D684,957 S *	6/2013	Smith et al.	D14/242
D691,656 S *	10/2013	Merrill et al.	D19/60
D693,798 S *	11/2013	Chuang et al.	D14/240

FOREIGN PATENT DOCUMENTS

CN	302233313	*	12/2012
EM	001911280-0001	*	9/2011
FR	871793-001	*	2/1988
FR	060706-001	*	9/2006
JP	D1426817	*	11/2011

OTHER PUBLICATIONS

DirecTV's New DVR Records 5 Shows at Once, Streams to Multiple TVs [online]. Olivarez-Giles, Nathan, 2012 [retrieved on Jan. 30, 2014]. Retrieved from the Internet: <URL: <http://www.wired.com/gadgetlab/2012/10/directv-genie-dvr/>>*

(Continued)

Primary Examiner — Richard E Chilcot

Assistant Examiner — John Eberhart

(74) *Attorney, Agent, or Firm* — Sughrue Mion, PLLC

(57) **CLAIM**

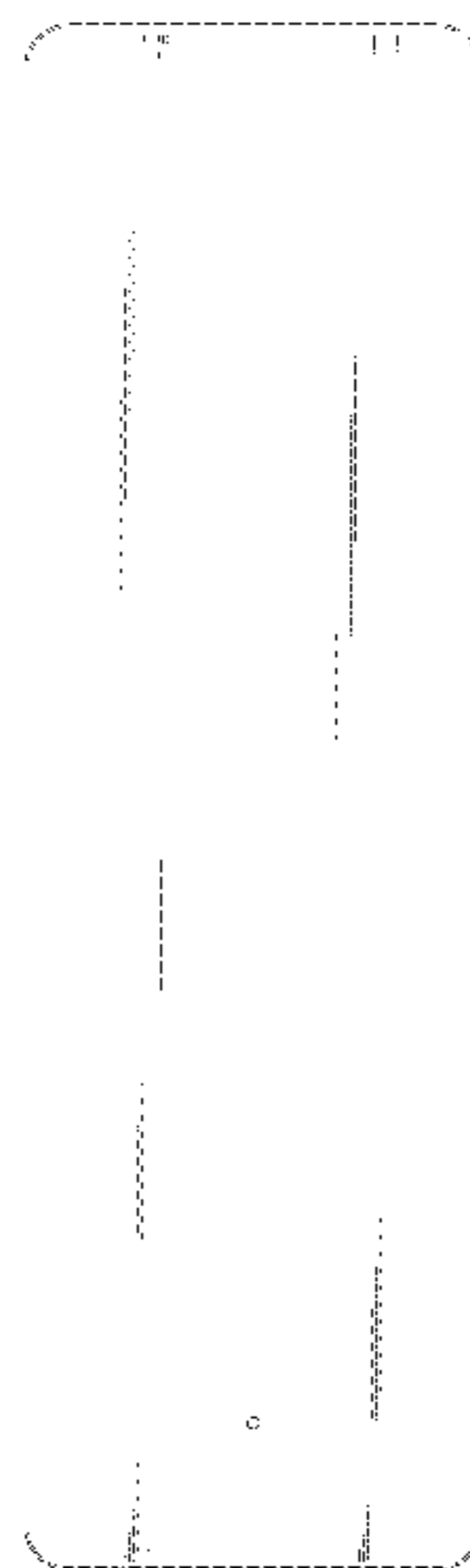
The ornamental design for an information communication terminal, as shown and described.

DESCRIPTION

FIG. 1 is front view of an information communication terminal showing my new design;
FIG. 2 is a rear view thereof;
FIG. 3 is a left side view thereof;
FIG. 4 is a right side view thereof;
FIG. 5 is a top plan view thereof;
FIG. 6 is a bottom view thereof;
FIG. 7 is an enlarged end view taken along line 7-7 shown in FIG. 2; and
FIG. 8 is an enlarged end view taken along line 8-8 shown in FIG. 2; and,
FIG. 9 is an enlarged partial view of the upper right corner of FIG. 2.

The portions of the article in broken lines show unclaimed subject matter only and form no part of the claimed design.

1 Claim, 6 Drawing Sheets



(56)

References Cited

OTHER PUBLICATIONS

Drop cable: record free HD TV on CM7400 DVR [online]. Photoseek.com, 2012 [retrieved on Jan. 30, 2014]. Retrieved from the Internet: <URL: <http://photoseek.com/2012/hdtv-antenna-dvr-replaces-cable-tv/>.*

DirecTV's New DVR Records 5 Shows at Once, Streams to Multiple TVs [online]. Olivarez-Giles, Nathan, 2012 [retrieved on Jan. 30, 2014]. Retrieved from the Internet: <URL: <http://www.wired.com/gadgetlab/2012/10/directv-genie-dvr/www.ubergizmo.com/2013/01/samsung-hd-dvr-surveillance-system/>.*

Samsung HD DVR Surveillance System gives you high definition security footage [online]. Wong, George, 2013 [retrieved on Jan. 30, 2014]. Retrieved from the Internet: <URL: <http://www.ubergizmo.com/2013/01/samsung-hd-dvr-surveillance-system/>.*

Drop cable: record free HD TV on CM7400 DVR [online]. Photoseek.com, 2012 [retrieved on Jan. 30, 2014]. Retrieved from the Internet: <URL: <http://photoseek.com/2012/hdtv-antenna-dvr-replaces-cable-tv/>.*

* cited by examiner

Fig. 1

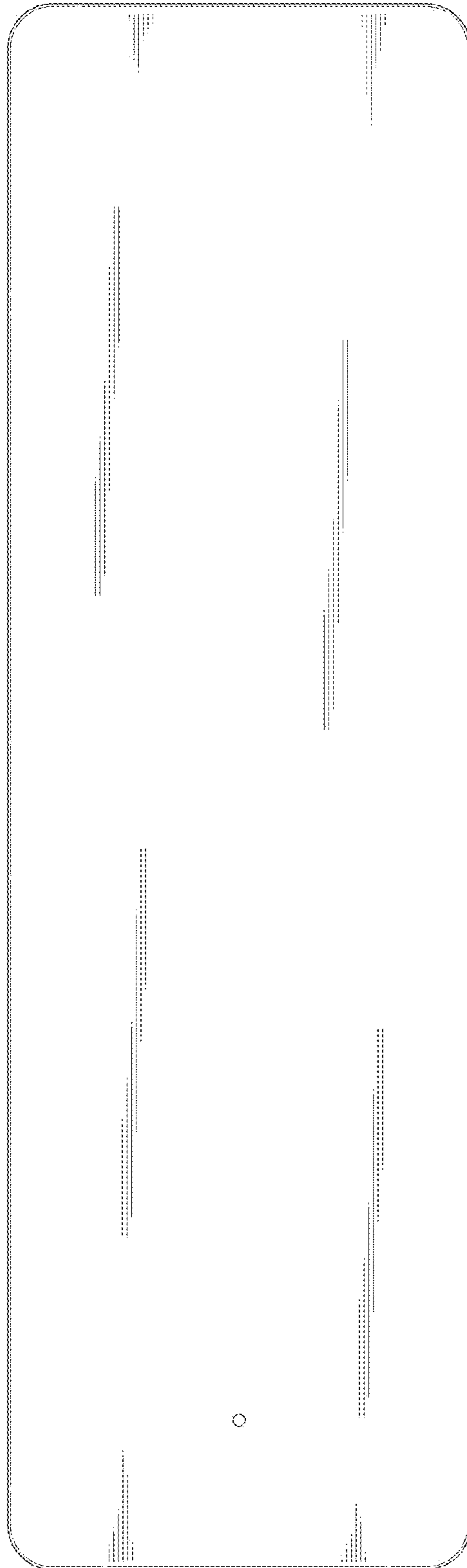


Fig. 2

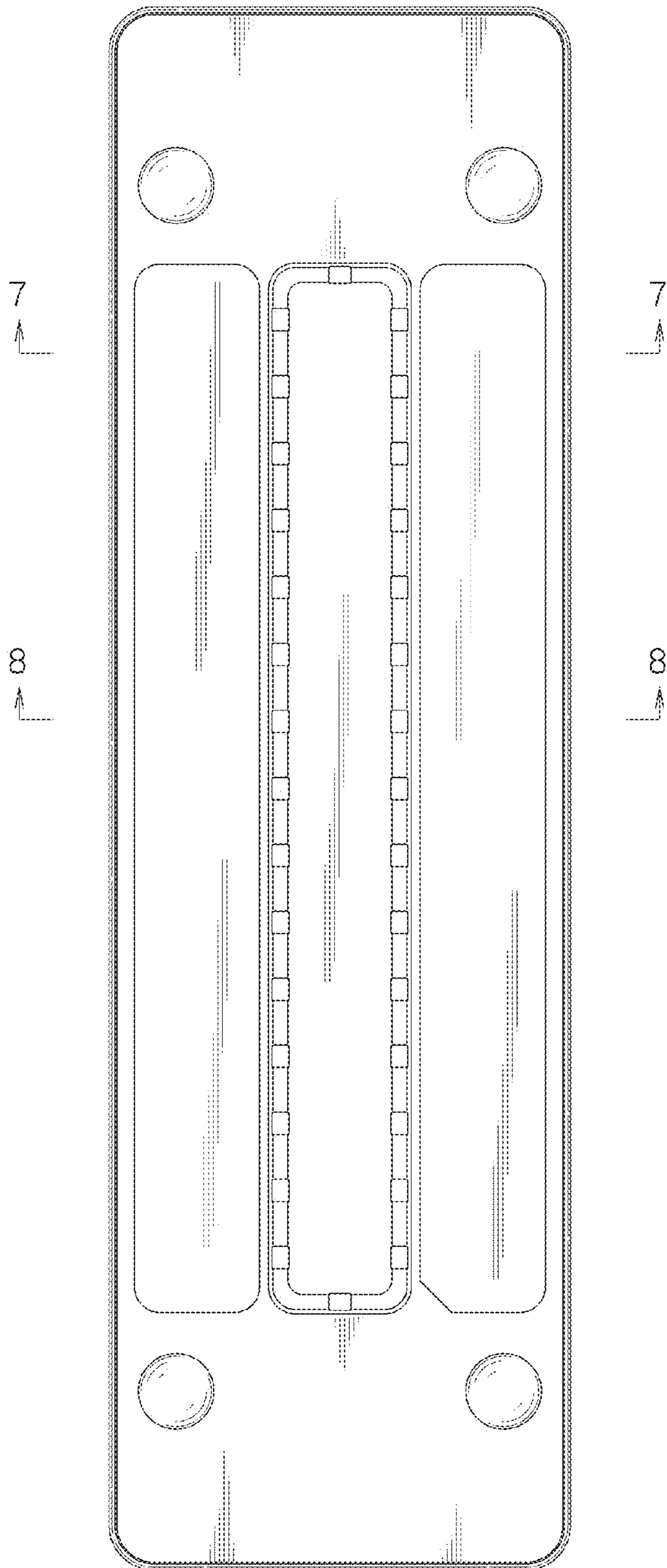


Fig. 3

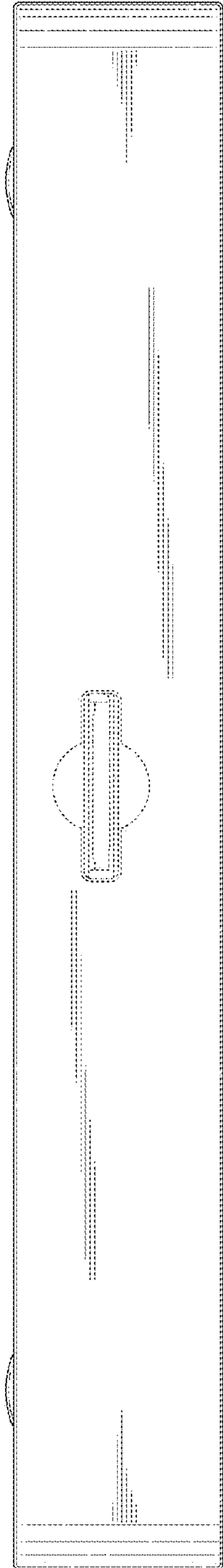


Fig. 4

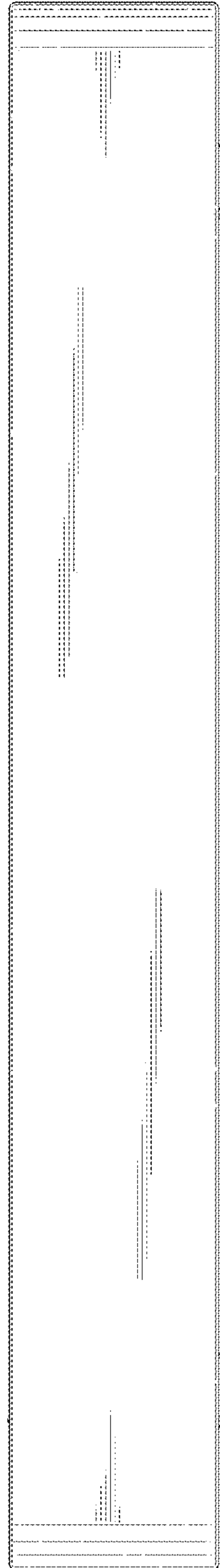


Fig. 5

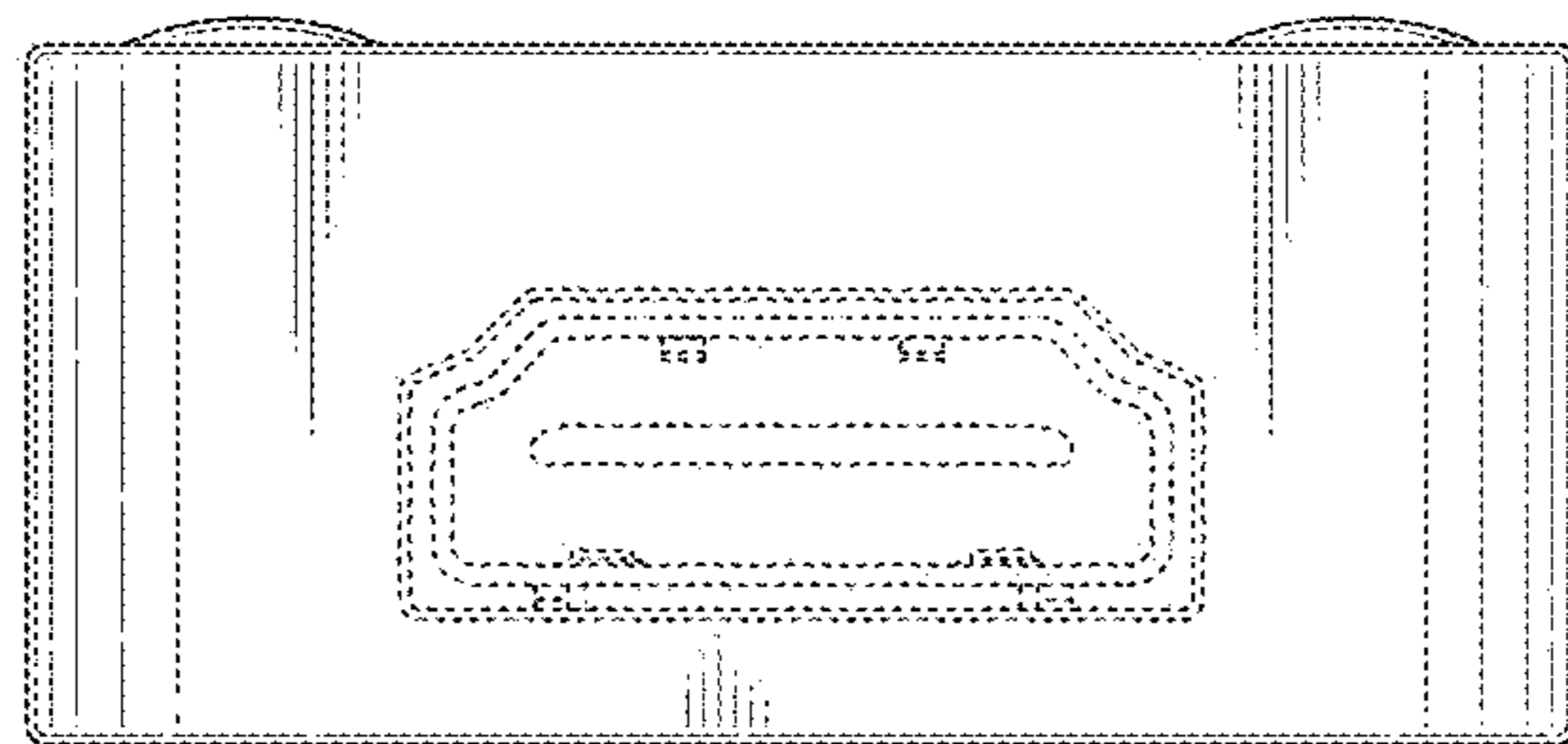


Fig. 6

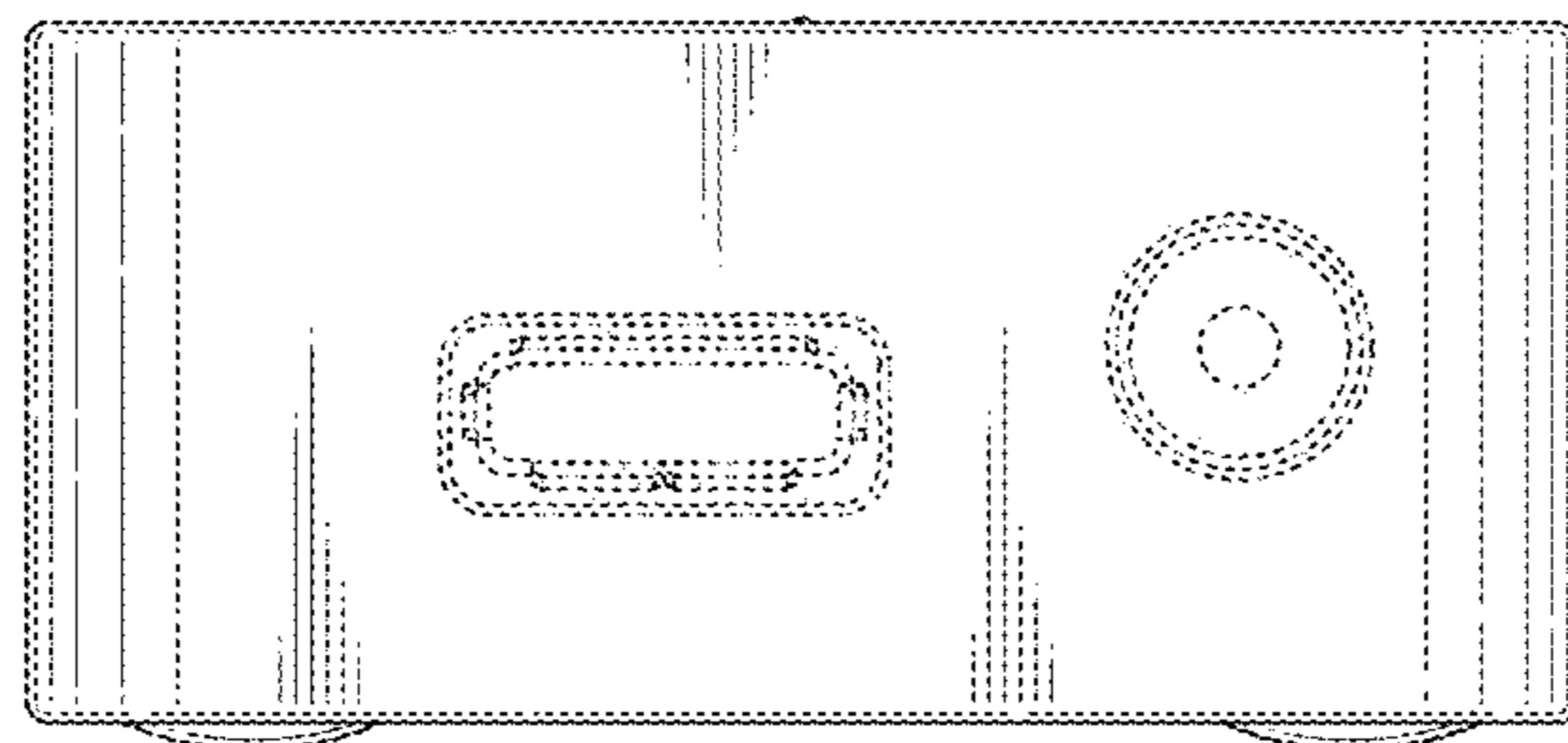


Fig. 7

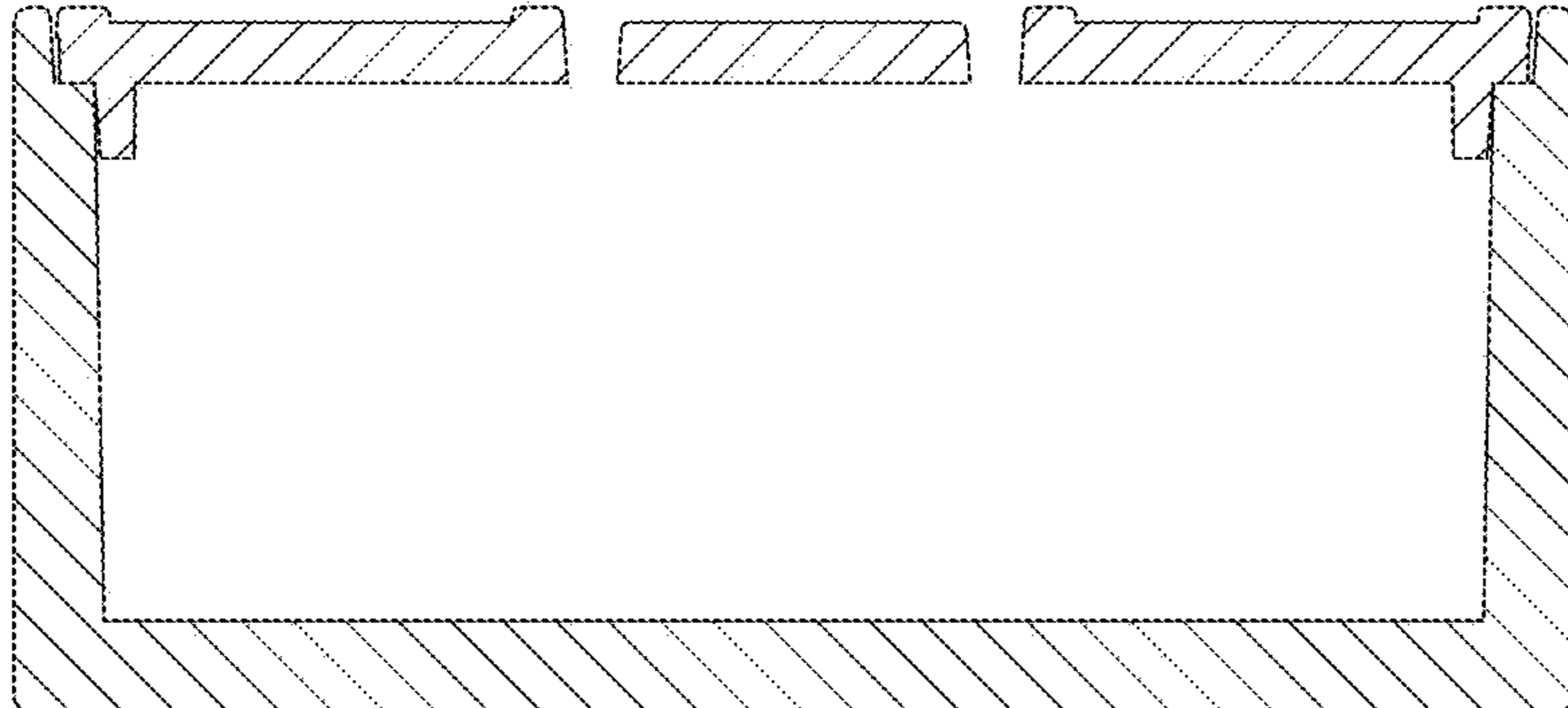


Fig. 8

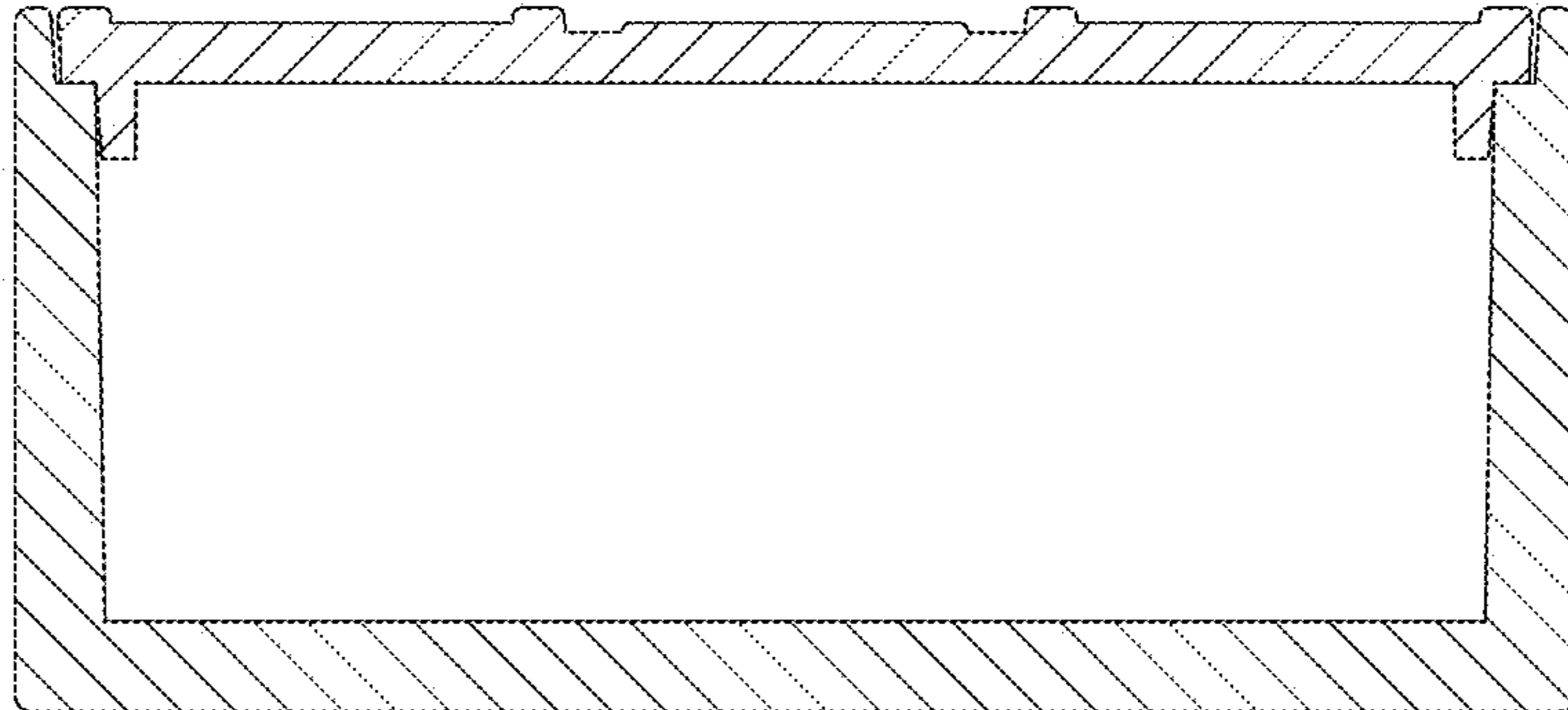


Fig. 9

