



US00D715793S

(12) **United States Design Patent**  
**Tsao et al.**

(10) **Patent No.:** **US D715,793 S**  
(45) **Date of Patent:** **\*\* Oct. 21, 2014**

(54) **NOTEBOOK COMPUTER**

(71) Applicant: **Acer Incorporated**, New Taipei (TW)

(72) Inventors: **Jung-Wei Tsao**, New Taipei (TW);  
**Hsueh-Chih Peng**, New Taipei (TW);  
**Wei-Yuan Cheng**, New Taipei (TW);  
**Yu-Chuan Chang**, New Taipei (TW)

(73) Assignee: **Acer Incorporated**, New Taipei (TW)

(\*\*) Term: **14 Years**

(21) Appl. No.: **29/443,803**

(22) Filed: **Jan. 22, 2013**

(30) **Foreign Application Priority Data**

Oct. 4, 2012 (TW) ..... 101305824

(51) **LOC (10) Cl.** ..... **14-02**

(52) **U.S. Cl.**  
USPC ..... **D14/318**

(58) **Field of Classification Search**  
USPC ..... D14/315-327; D18/1, 2, 7, 11;  
235/145 A, 145 R; 341/22, 23; 345/104,  
345/156, 168, 169, 173; 361/679.08,  
361/679.09, 679.11, 679.26, 679.27

See application file for complete search history.

(56) **References Cited**

**U.S. PATENT DOCUMENTS**

7,403,378 B2 \* 7/2008 Lo et al. .... 361/679.55  
D607,450 S \* 1/2010 Morishita et al. .... D14/318  
D671,936 S \* 12/2012 Fong et al. .... D14/318

**FOREIGN PATENT DOCUMENTS**

KR 3005693060000 8/2010

**OTHER PUBLICATIONS**

“Office Action of Taiwan Counterpart Application”, issued on Oct. 25, 2013, p. 1-p. 3.

\* cited by examiner

*Primary Examiner* — Freda S Nunn

(74) *Attorney, Agent, or Firm* — Jianq Chyun IP Office

(57) **CLAIM**

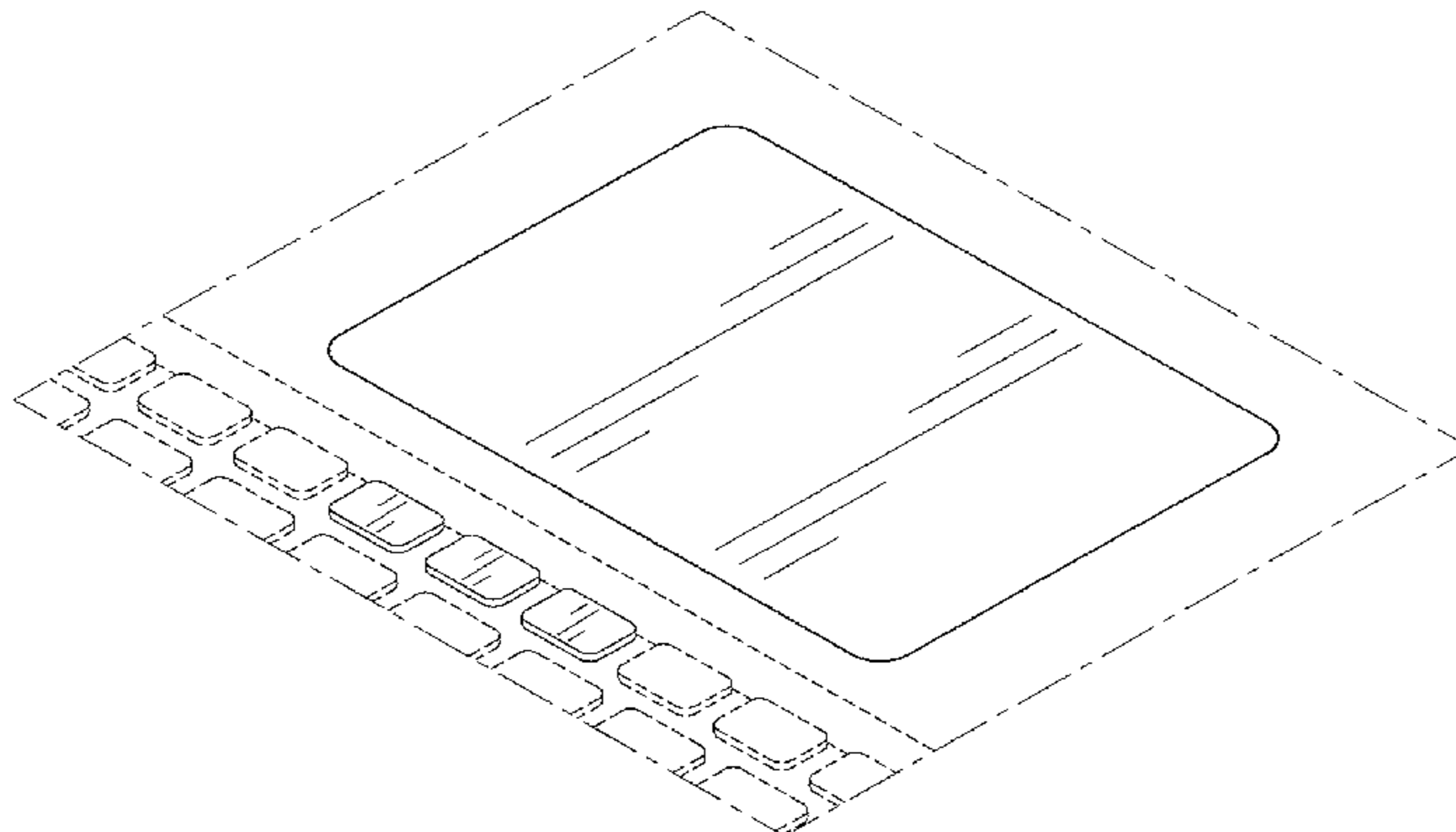
The ornamental design for a notebook computer, as shown and described.

**DESCRIPTION**

FIG. 1 is a perspective view of a notebook computer showing a first embodiment of our new design;  
FIG. 2 is another perspective view of the first embodiment;  
FIG. 3 is a top view of the first embodiment;  
FIG. 4 is an enlarged view of an indicated portion of FIG. 1;  
FIG. 5 is a perspective view of a notebook computer showing a second embodiment of our new design;  
FIG. 6 is another perspective view of the second embodiment;  
FIG. 7 is a top view of the second embodiment;  
FIG. 8 is an enlarged view thereof of an indicated portion of FIG. 6;  
FIG. 9 is a perspective view of a notebook computer showing a third embodiment of our new design;  
FIG. 10 is another perspective view of the third embodiment;  
FIG. 11 is a top view of the third embodiment;  
FIG. 12 is an enlarged view thereof of an indicated portion of FIG. 9;  
FIG. 13 is a perspective view of a notebook computer showing a fourth embodiment of our new design;  
FIG. 14 is another perspective view of the fourth embodiment;  
FIG. 15 is a top view of the fourth embodiment; and,  
FIG. 16 is an enlarged view thereof of an indicated portion of FIG. 13.

The long-dash, short-dash broken lines shown in FIGS. 1, 4, 6, 8, 9, 12, 13, and 16 that are immediately adjacent to the claimed surface are used to emphasize the enlarged views, while all other lines are directed to environment and form no part of the claimed design.

**1 Claim, 16 Drawing Sheets**



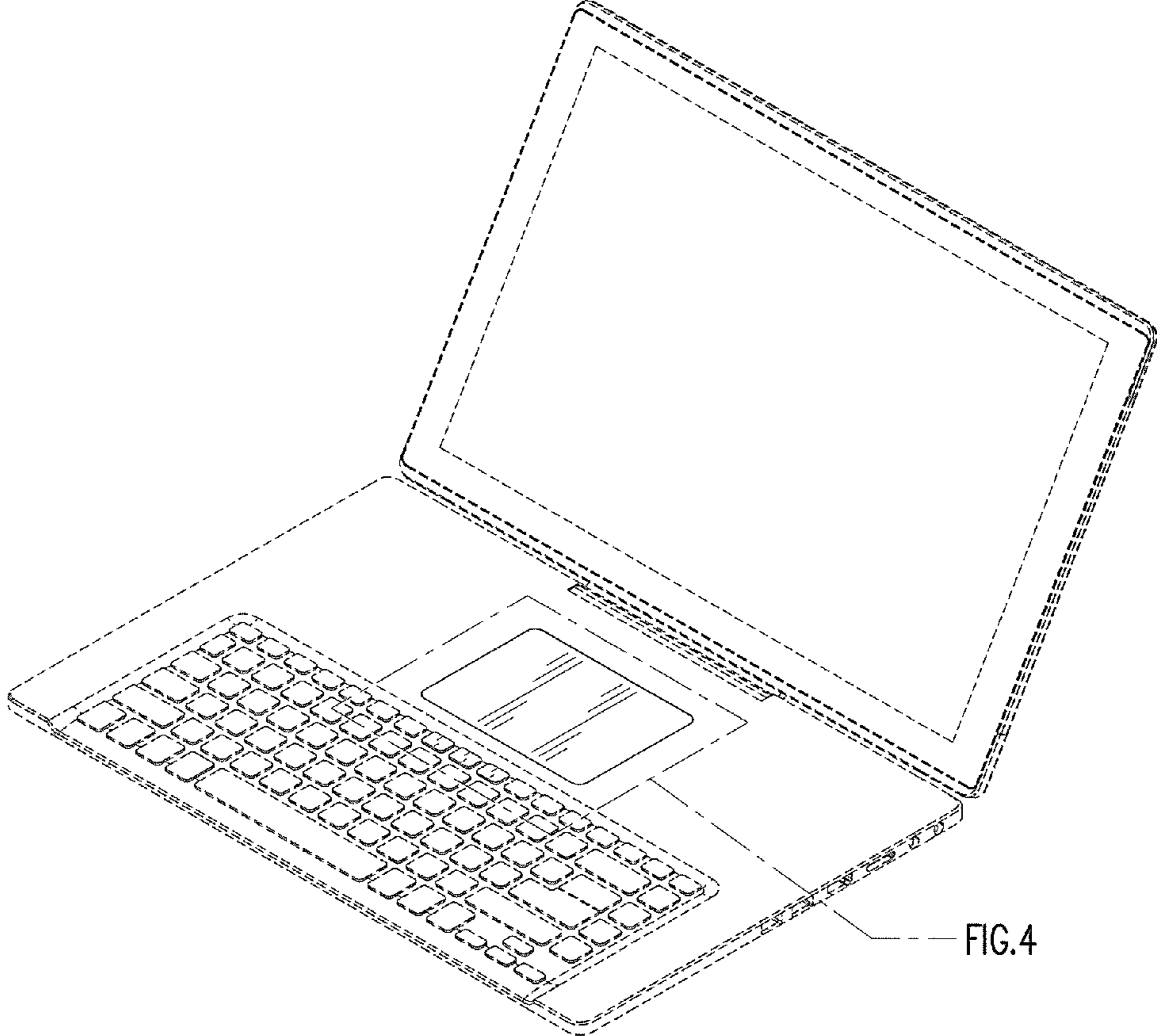


FIG. 1

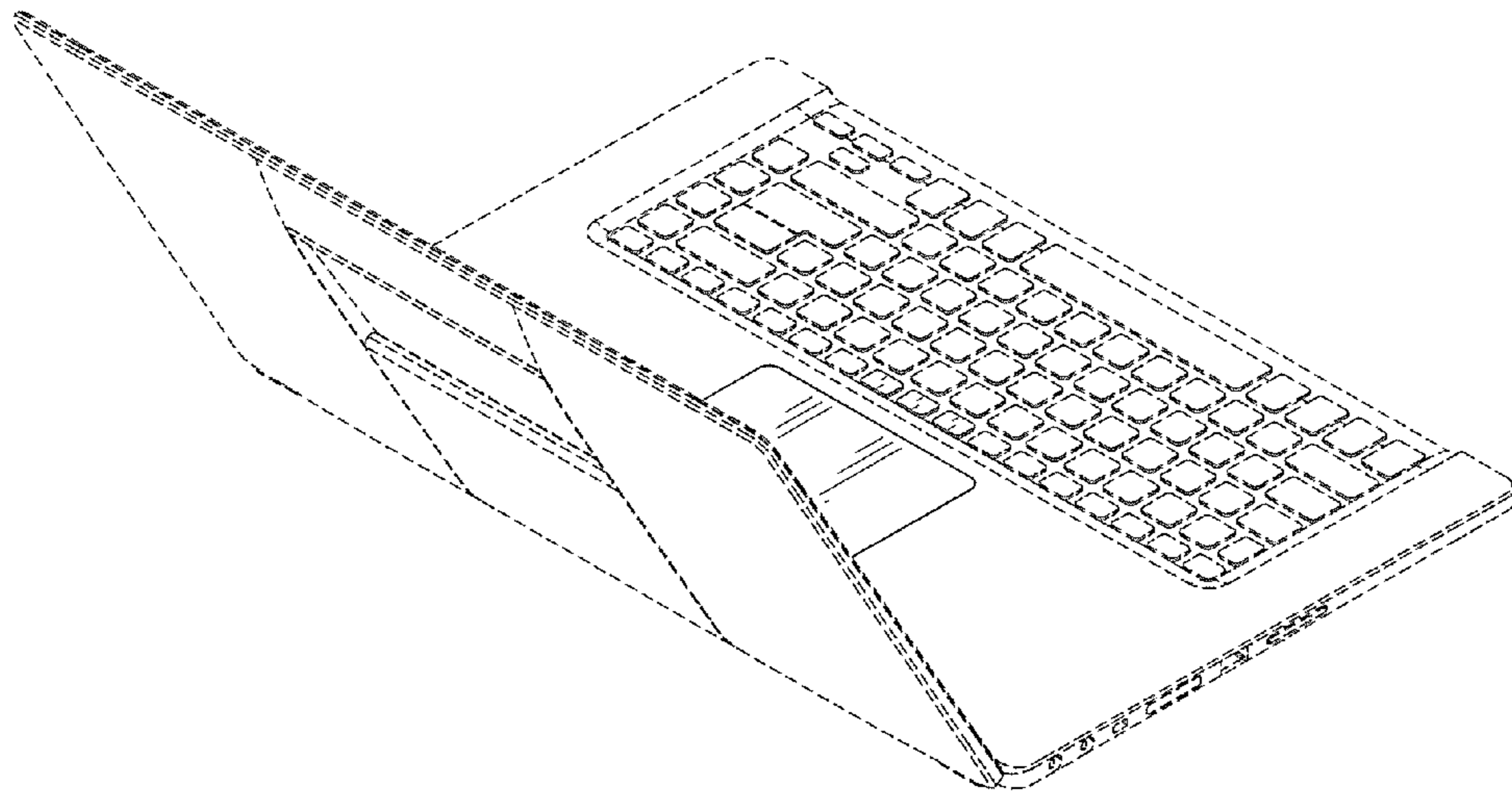


FIG. 2

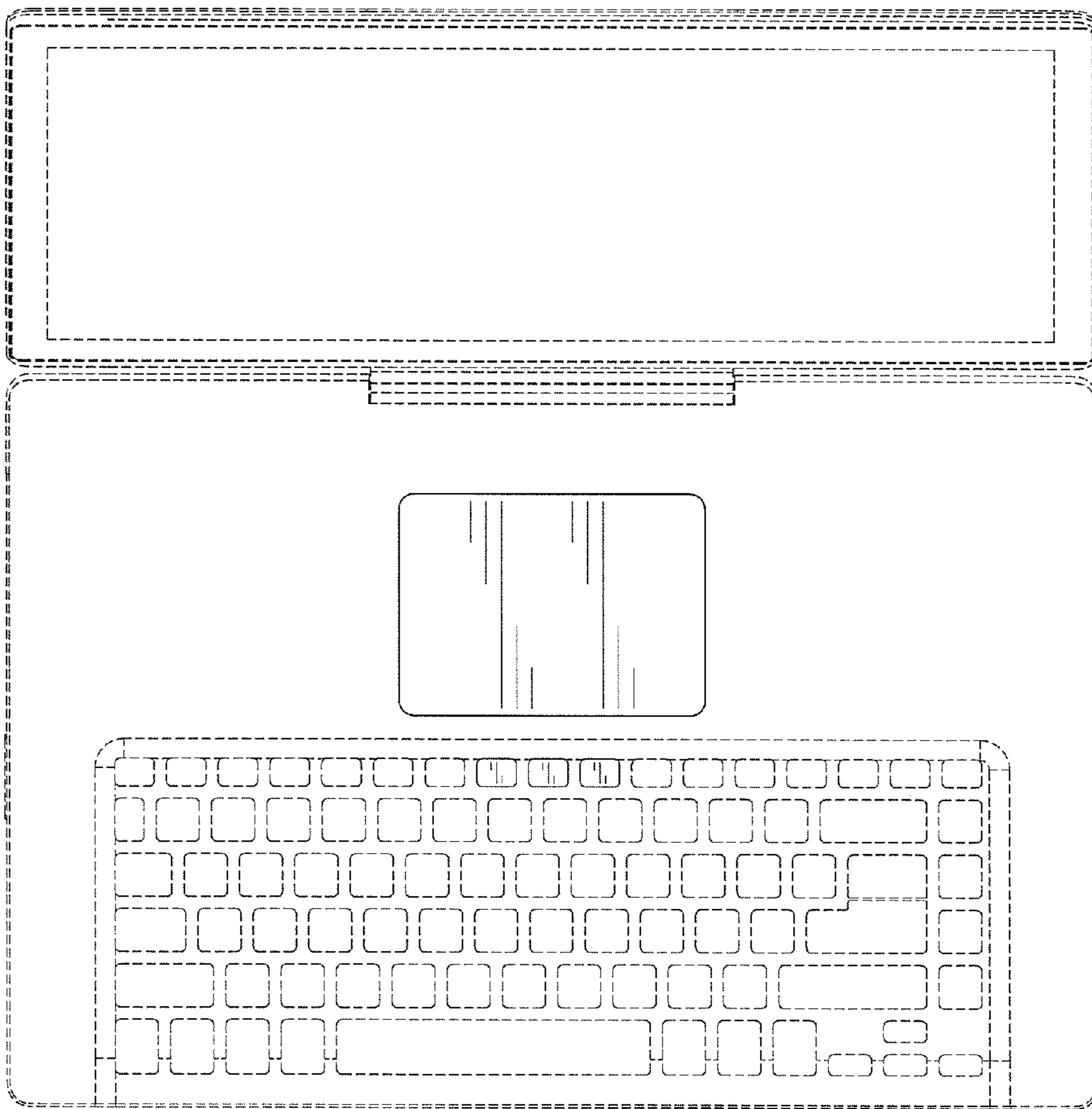


FIG. 3

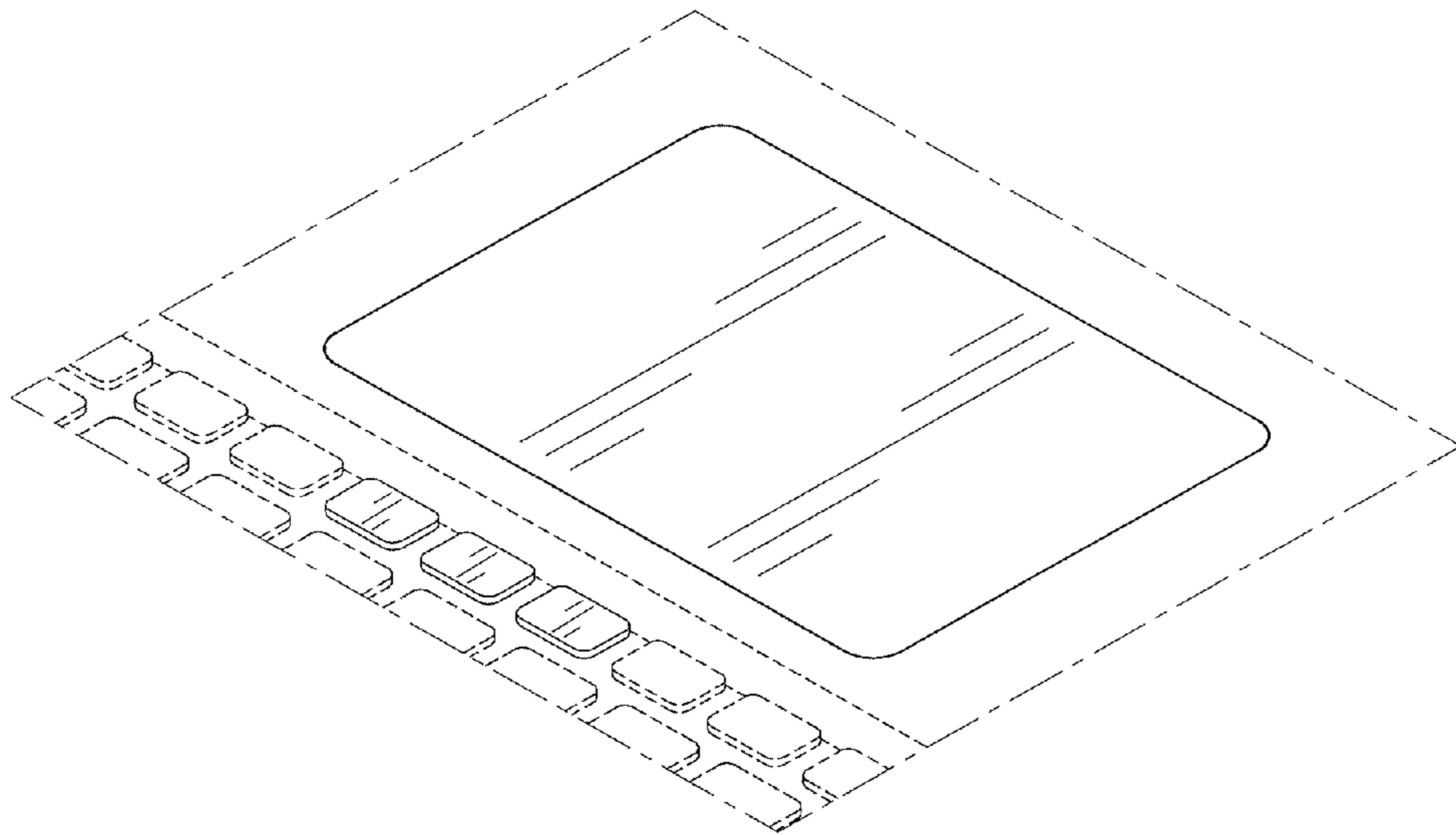


FIG. 4

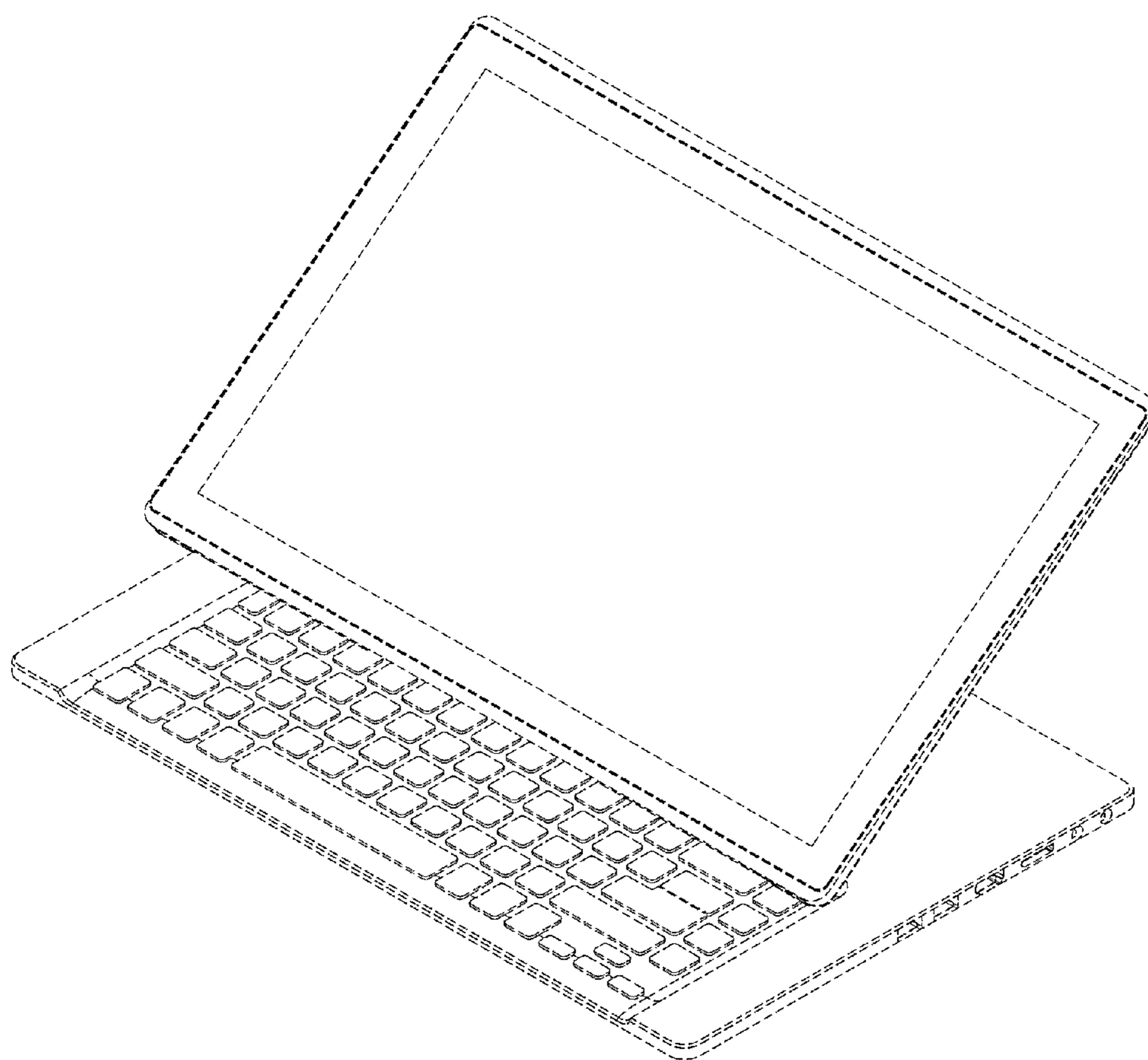


FIG. 5

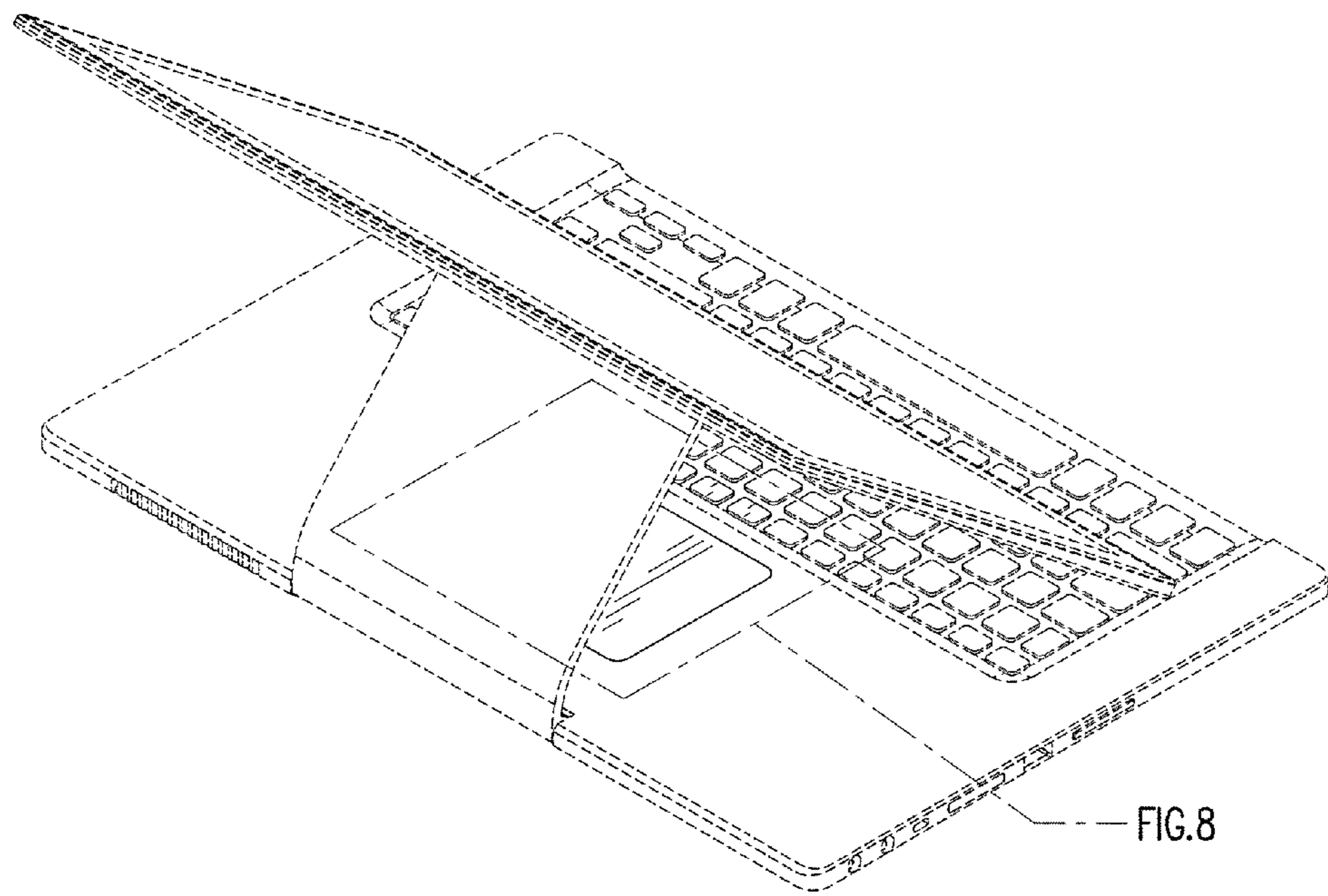


FIG. 6

FIG. 8

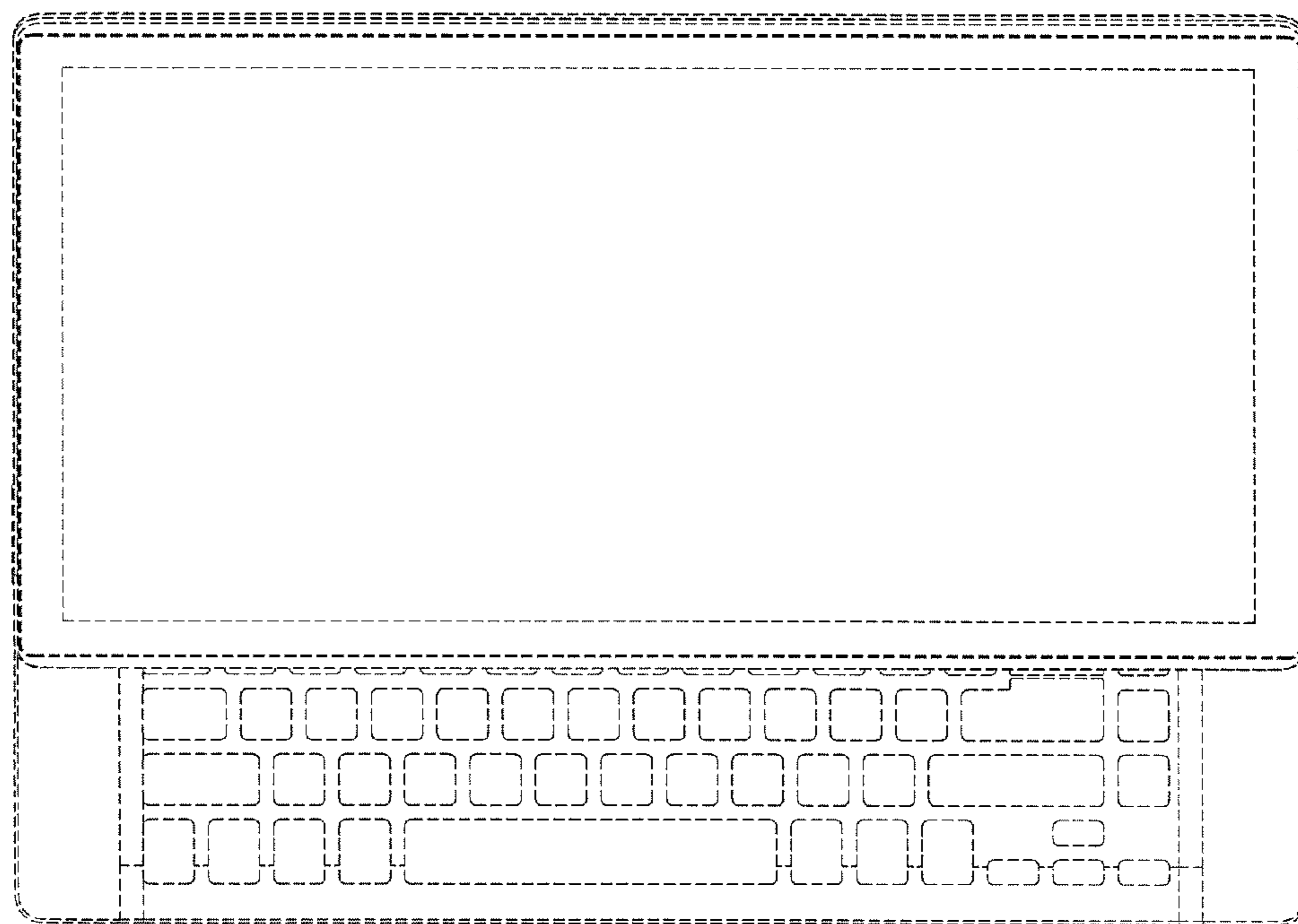


FIG. 7



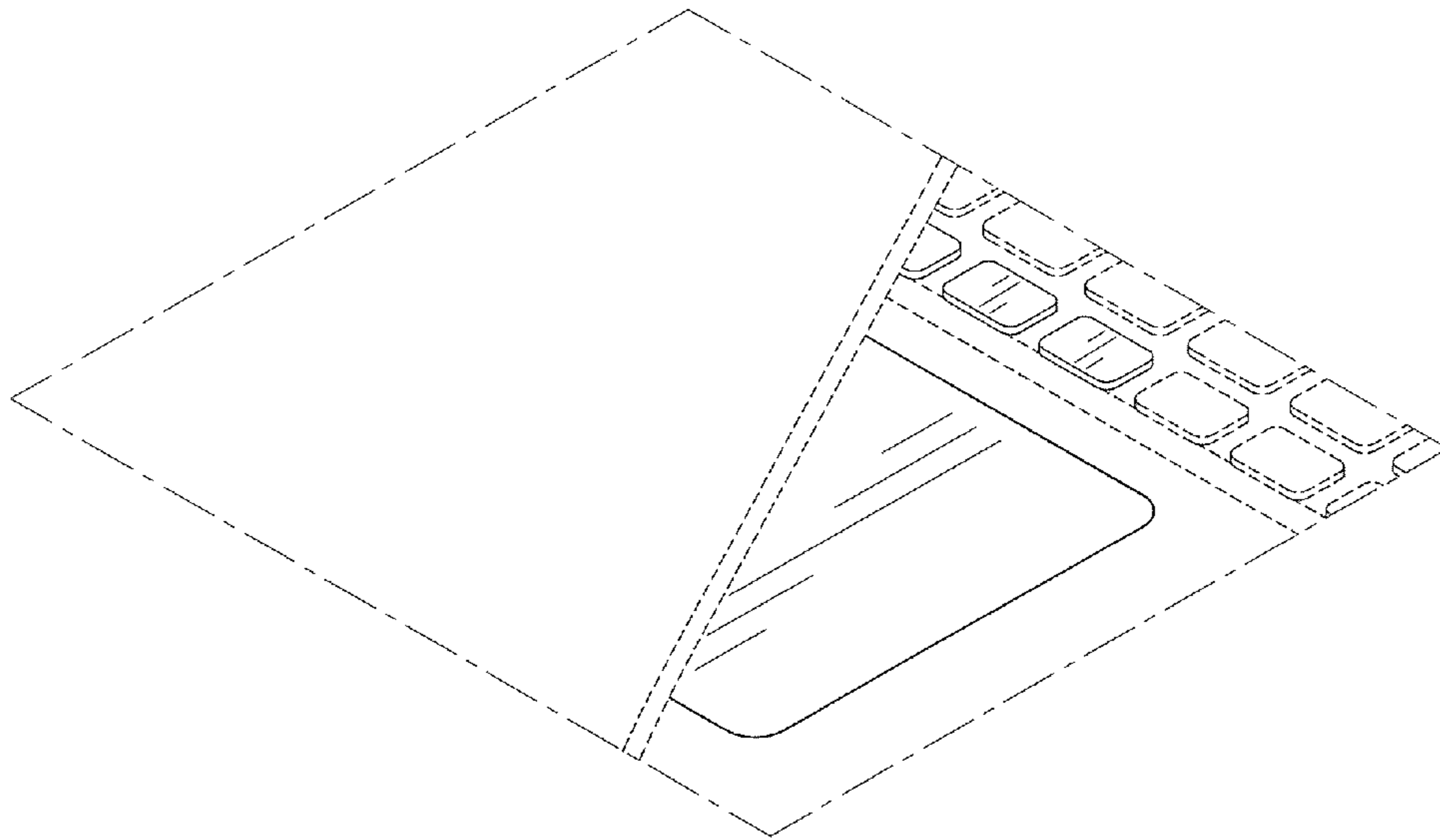


FIG. 8

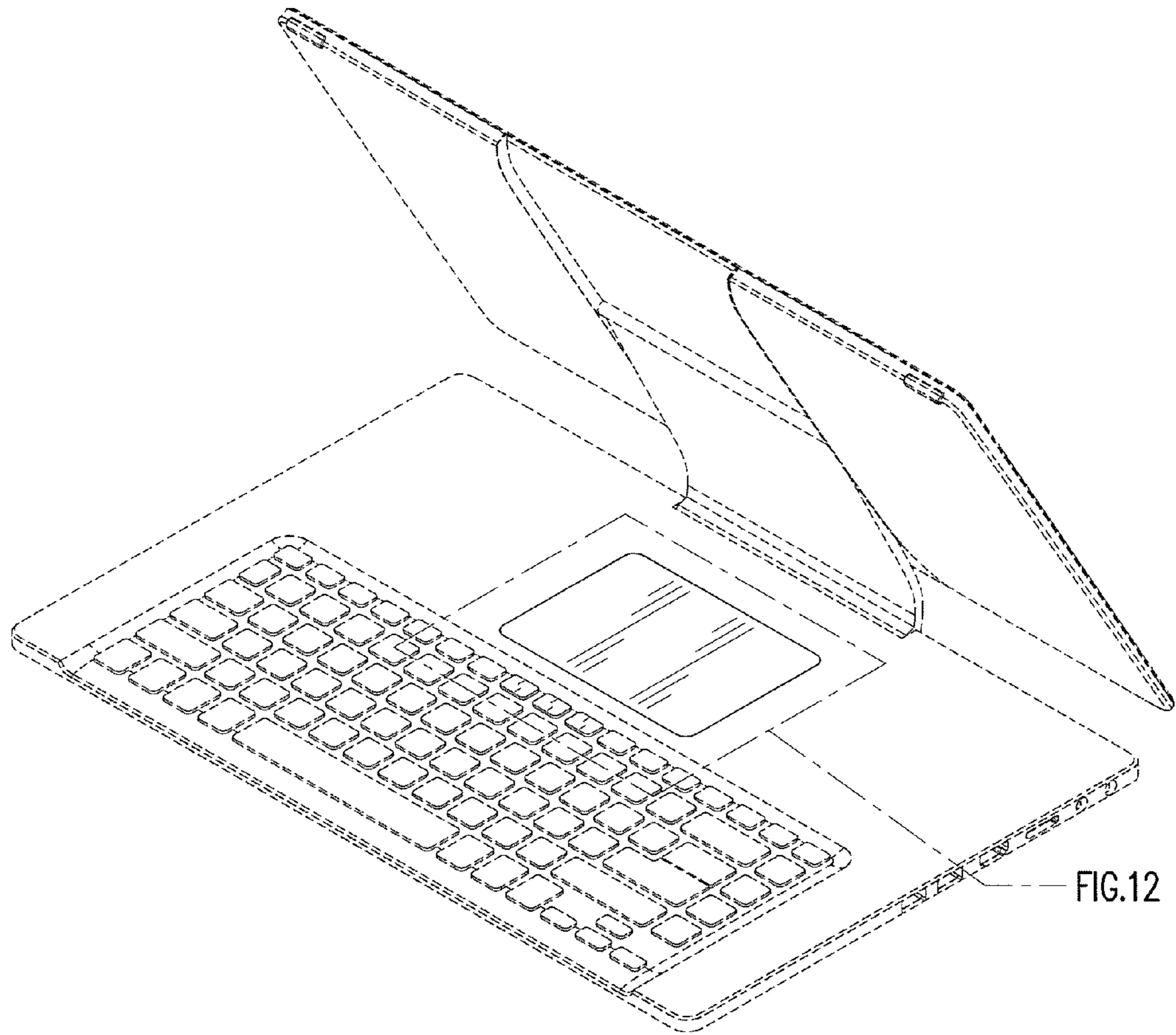


FIG.12

FIG. 9

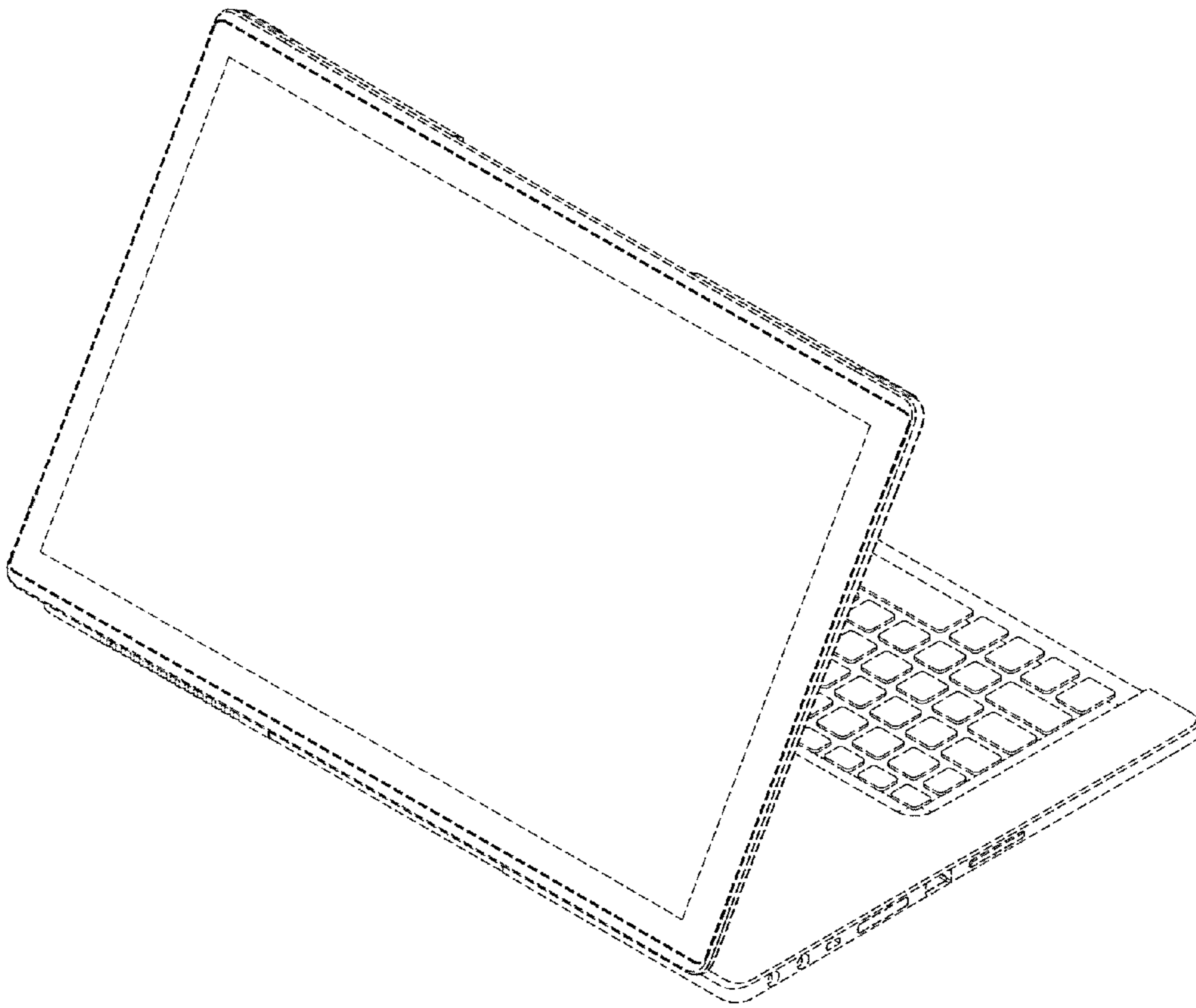


FIG. 10

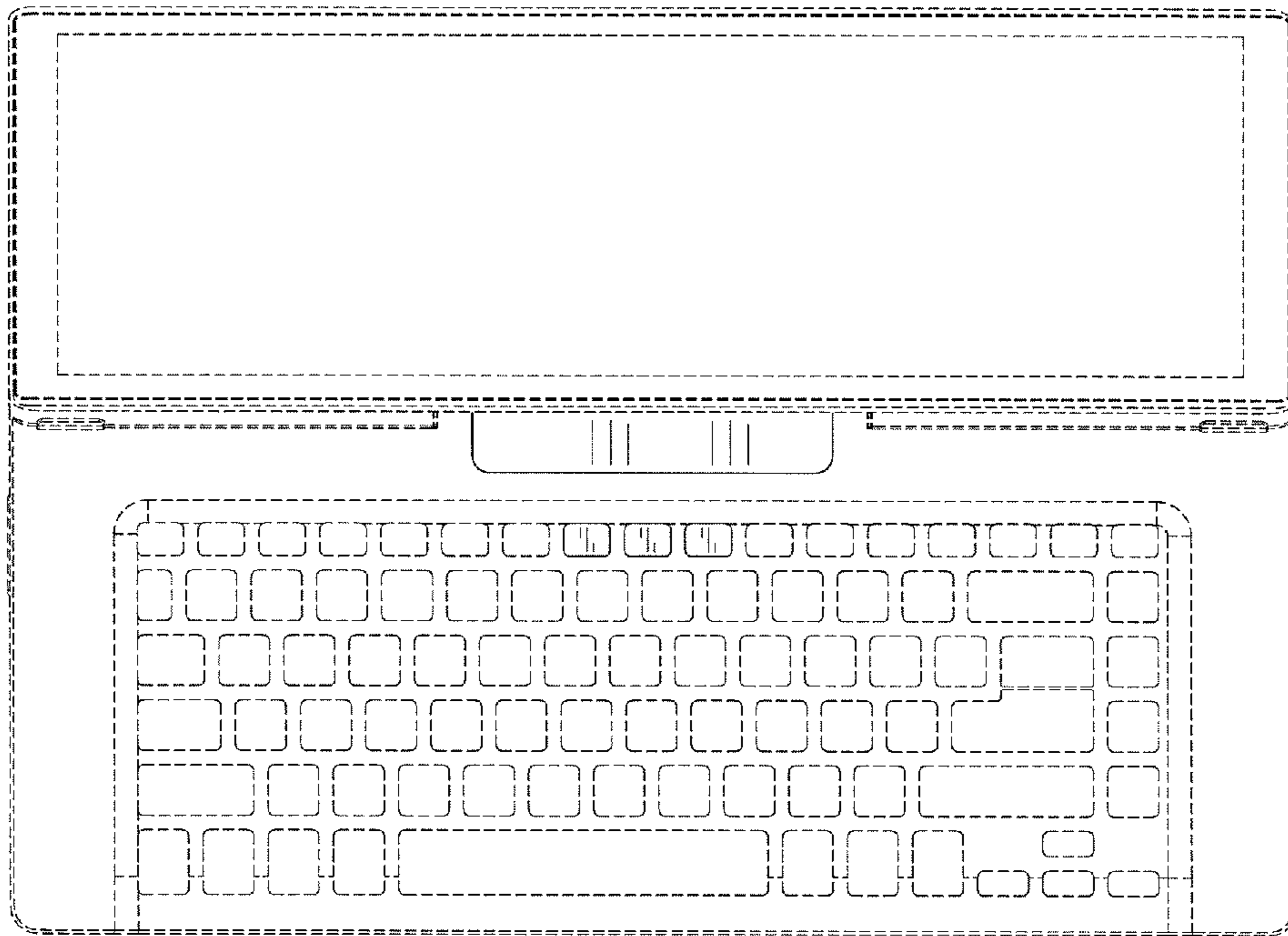


FIG. 11

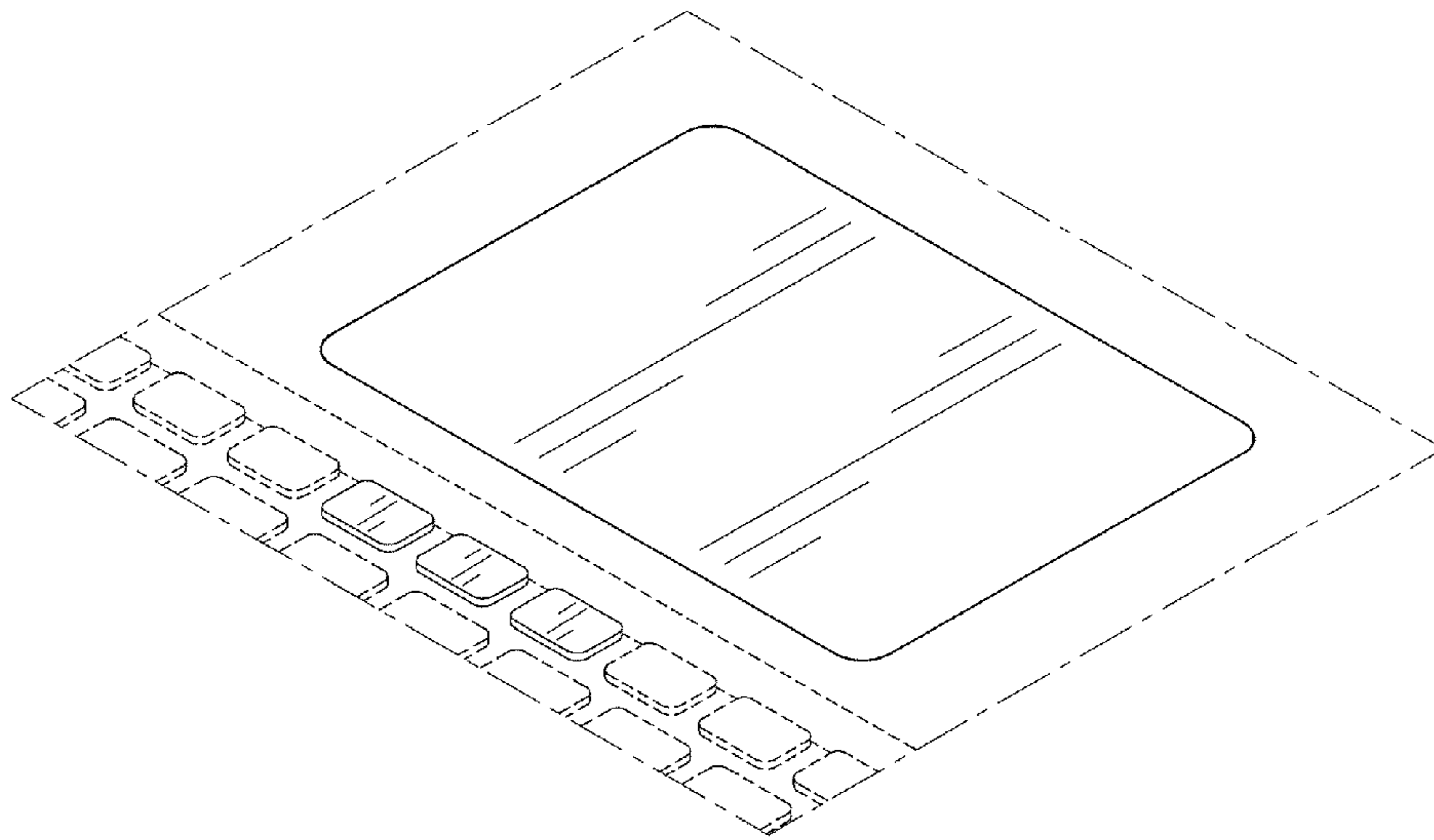


FIG. 12

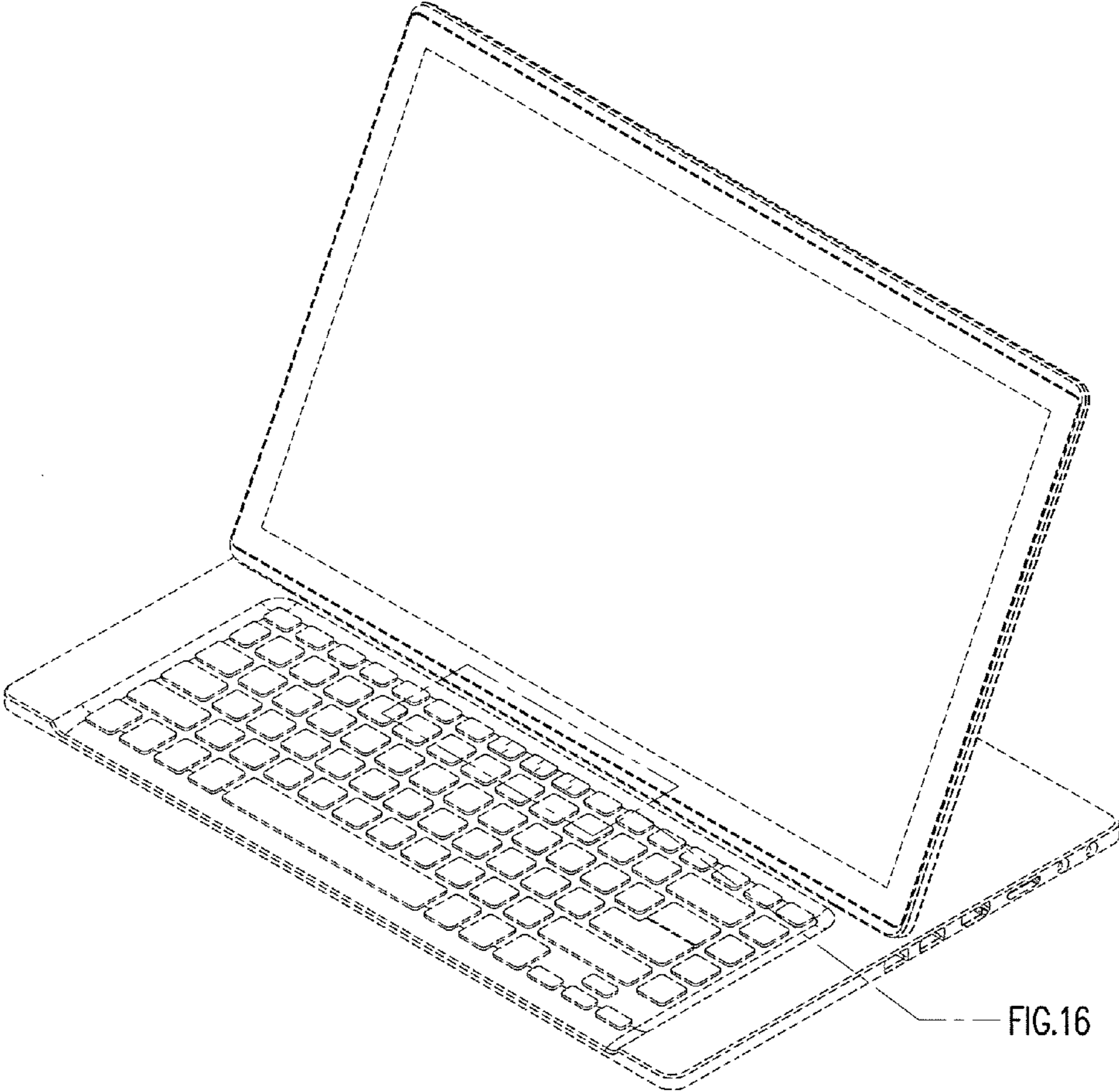


FIG. 13

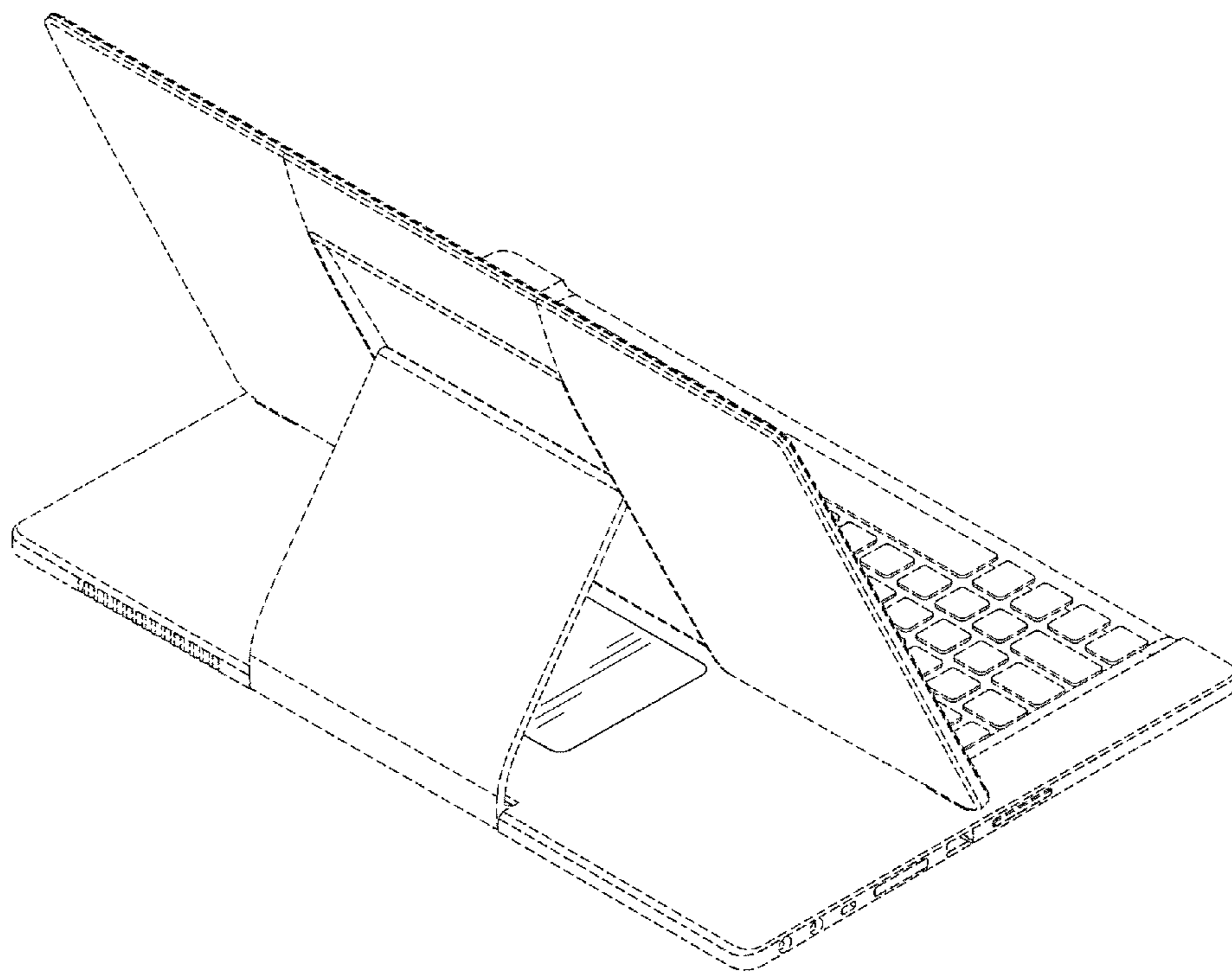


FIG. 14

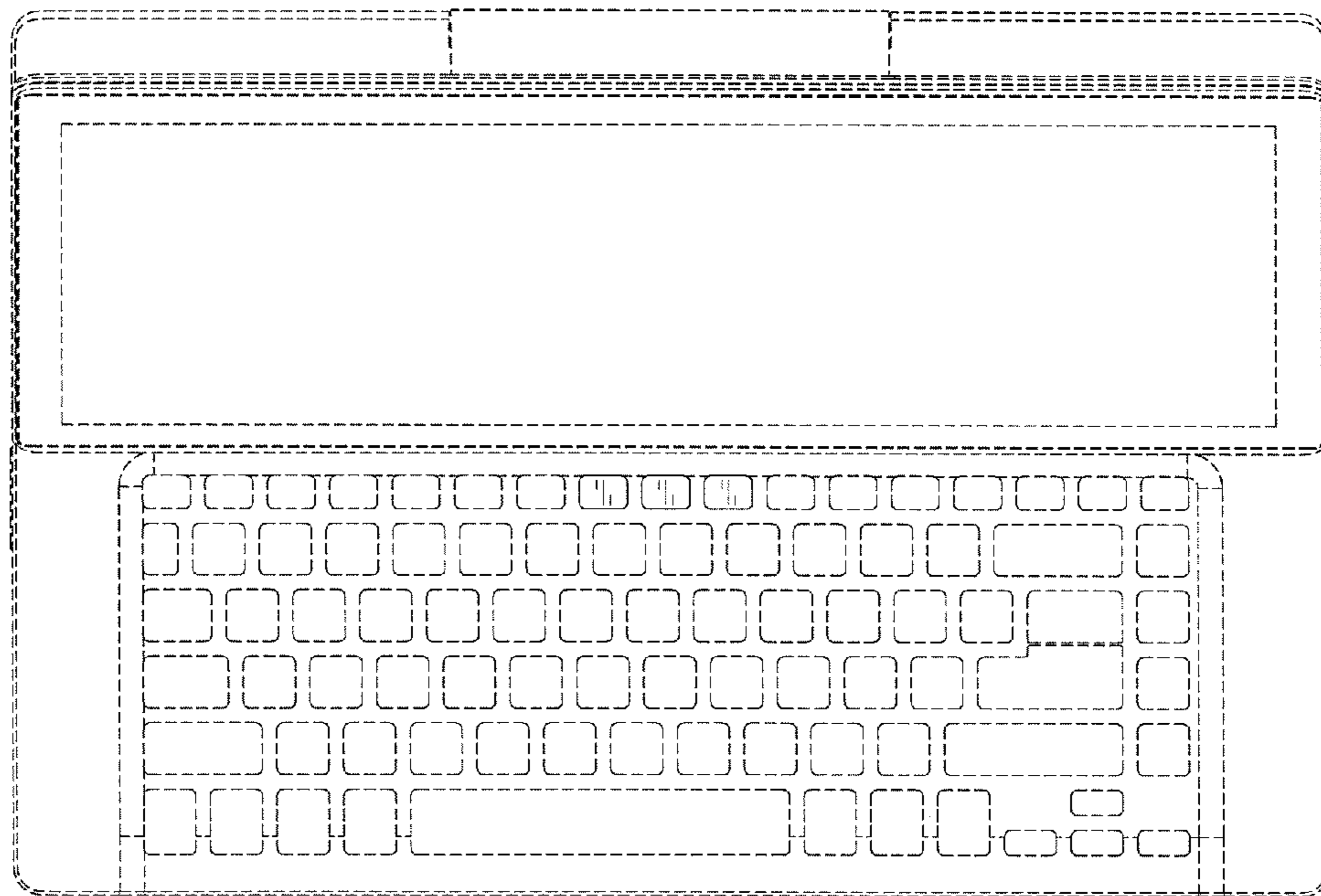


FIG. 15



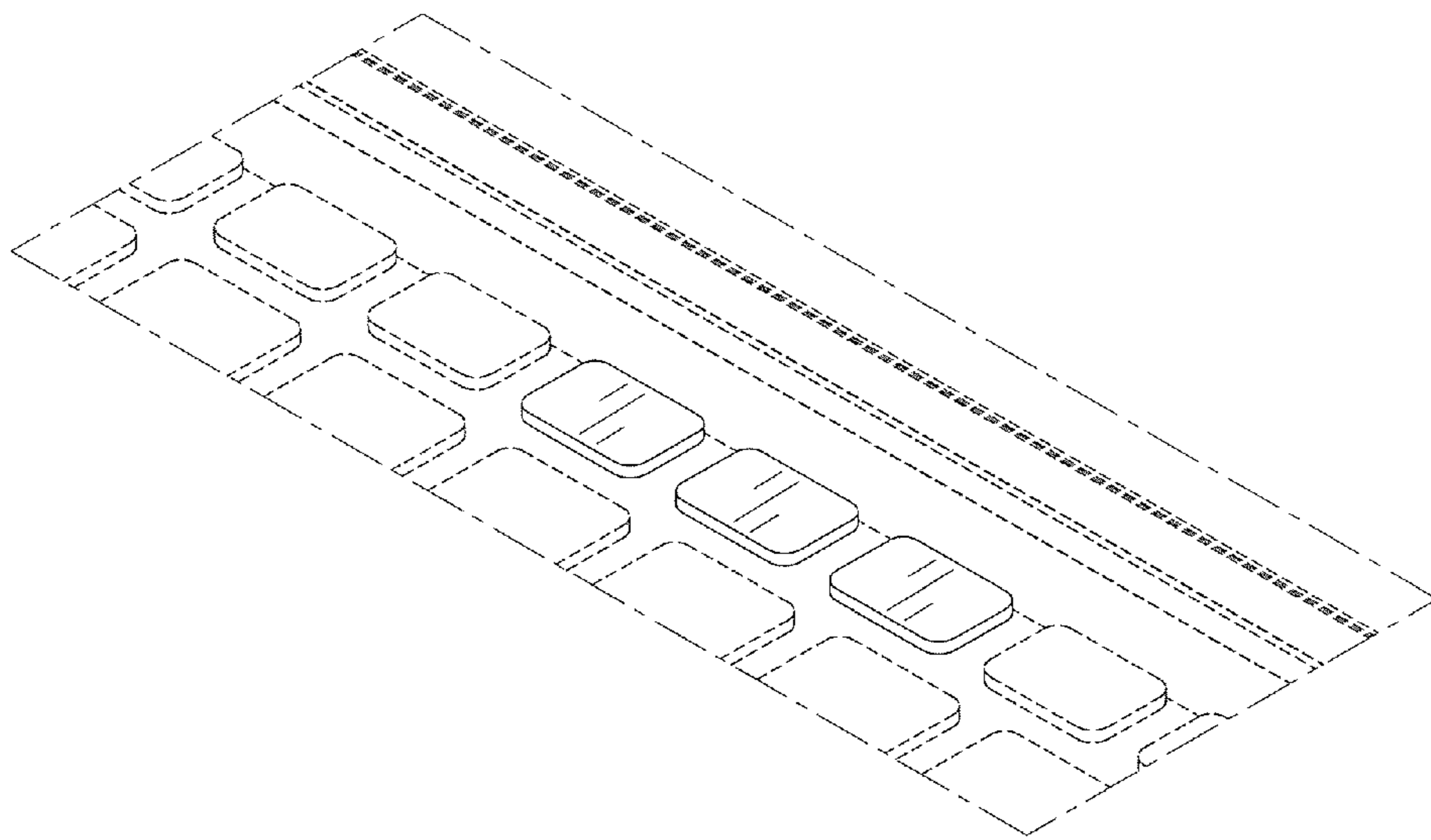


FIG. 16