



US00D715791S

(12) **United States Design Patent**  
**Yu**

(10) **Patent No.:** **US D715,791 S**  
(45) **Date of Patent:** **\*\* Oct. 21, 2014**

(54) **HANDLE FOR TAKING PHOTOS WITH CELL PHONE**

(71) Applicant: **Looq Systems, Inc.**, Santa Clara, CA (US)

(72) Inventor: **Woody Yu**, Santa Clara, CA (US)

(73) Assignee: **Looq System Inc.**, Santa Clara, CA (US)

(\*\*) Term: **14 Years**

(21) Appl. No.: **29/456,699**

(22) Filed: **Jun. 3, 2013**

(51) **LOC (10) Cl.** ..... **14-03**

(52) **U.S. Cl.**  
USPC ..... **D14/253**

(58) **Field of Classification Search**  
USPC ..... D14/208, 209.1, 217, 238.1, 243, D14/250–253, 434, 440, 447, 496, D14/203.3–203.7, 248, 240, 341–347; D3/201, 215, 218, 226, 269, 273, 301, D3/303; D19/90; D6/553; 455/575.1, 455/575.8; 206/305, 320; 320/108, 115; 429/96; 220/4.02; 150/165; 361/679.56, 679.3, 679.25, 816; 379/426, 446, 455, 433.1; 248/309.1, 248/371, 176.3, 668; 224/411; D12/223, D12/407, 415; D13/102, 108; D9/414–420; D16/242–244

See application file for complete search history.

(56) **References Cited**

**U.S. PATENT DOCUMENTS**

D257,259 S *	10/1980	Shiraishi .....	D16/244
D386,510 S *	11/1997	Peterson .....	D16/244
D391,265 S *	2/1998	Richter .....	D14/253
5,768,645 A *	6/1998	Kessler .....	396/376
D411,544 S *	6/1999	Richter .....	D14/253
D626,541 S *	11/2010	Kim et al. ....	D14/253

D658,651 S *	5/2012	Lee et al. ....	D14/452
D670,284 S *	11/2012	Choi .....	D14/253
D678,387 S *	3/2013	Stump et al. ....	D16/244
D700,175 S *	2/2014	Ohm .....	D14/253
8,783,975 B1 *	7/2014	Cifers .....	396/428
2008/0207276 A1 *	8/2008	Burrell .....	455/573
2009/0084912 A1 *	4/2009	Speggiorin .....	248/176.3
2009/0308993 A1 *	12/2009	Chang .....	248/176.3
2010/0200710 A1 *	8/2010	Shenouda .....	248/157
2013/0168275 A1 *	7/2013	Hennessey .....	206/320

\* cited by examiner

*Primary Examiner* — Susan Bennett Hattan

*Assistant Examiner* — Janice Hallmark

(74) *Attorney, Agent, or Firm* — K&L Gates LLP

(57) **CLAIM**

An ornamental design for a handle for taking photos with cell phone, as shown and described.

**DESCRIPTION**

FIG. 1 is a front perspective view of a handle for taking photos with cell phone.

FIG. 2 is a front view of the handle for taking photos with cell phone.

FIG. 3 is a rear view of the handle for taking photos with cell phone.

FIG. 4 is a left side view of the handle for taking photos with cell phone.

FIG. 5 is a right side view of the handle for taking photos with cell phone.

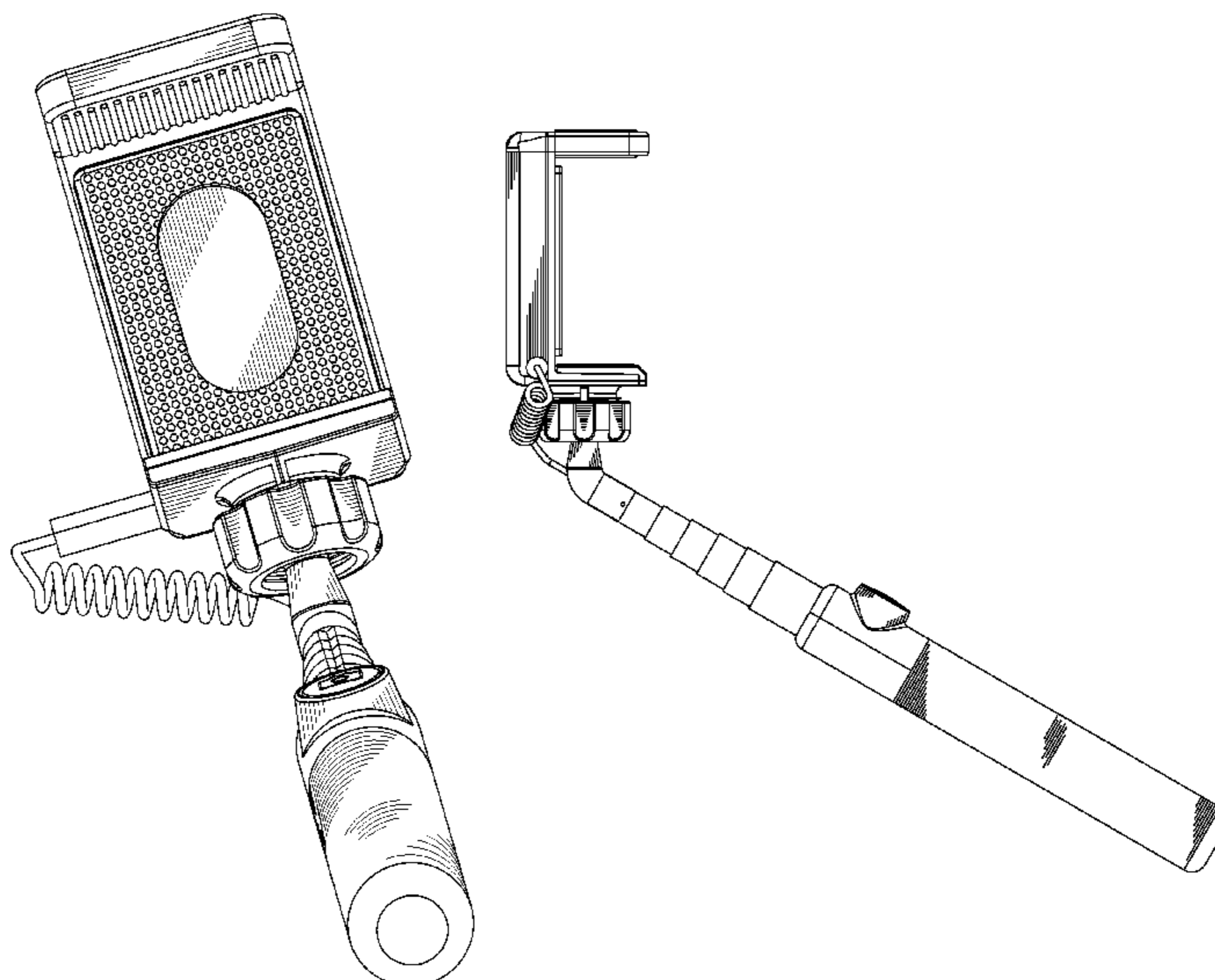
FIG. 6 is a top view of the handle for taking photos with cell phone.

FIG. 7 is a bottom view of the handle for taking photos with cell phone; and,

FIG. 8 is a second front perspective view of the handle for taking photos with cell phone.

The broken lines in the drawings illustrate portions of the handle for taking photos with cell phone which form no part of the claimed design.

**1 Claim, 8 Drawing Sheets**



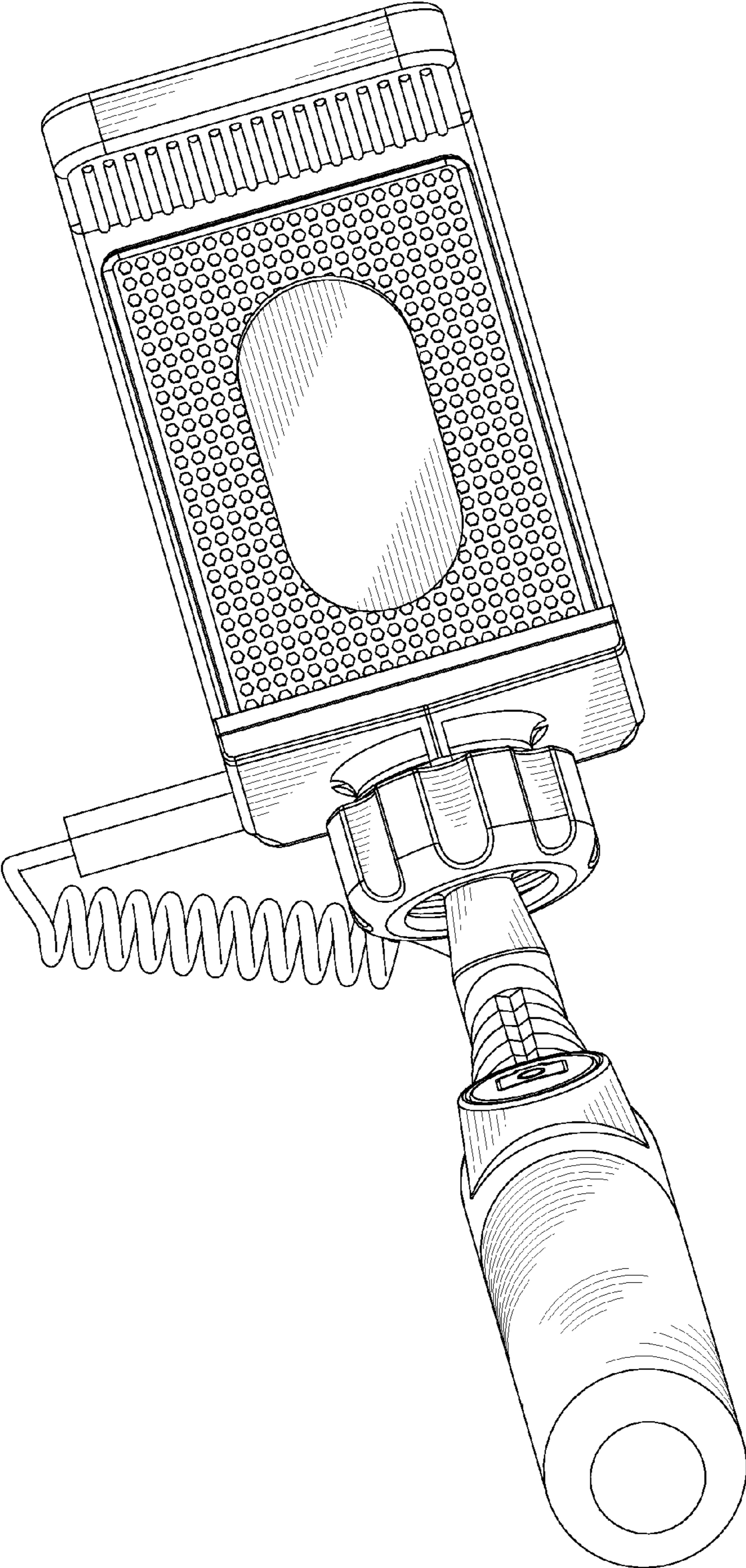


FIG. 1

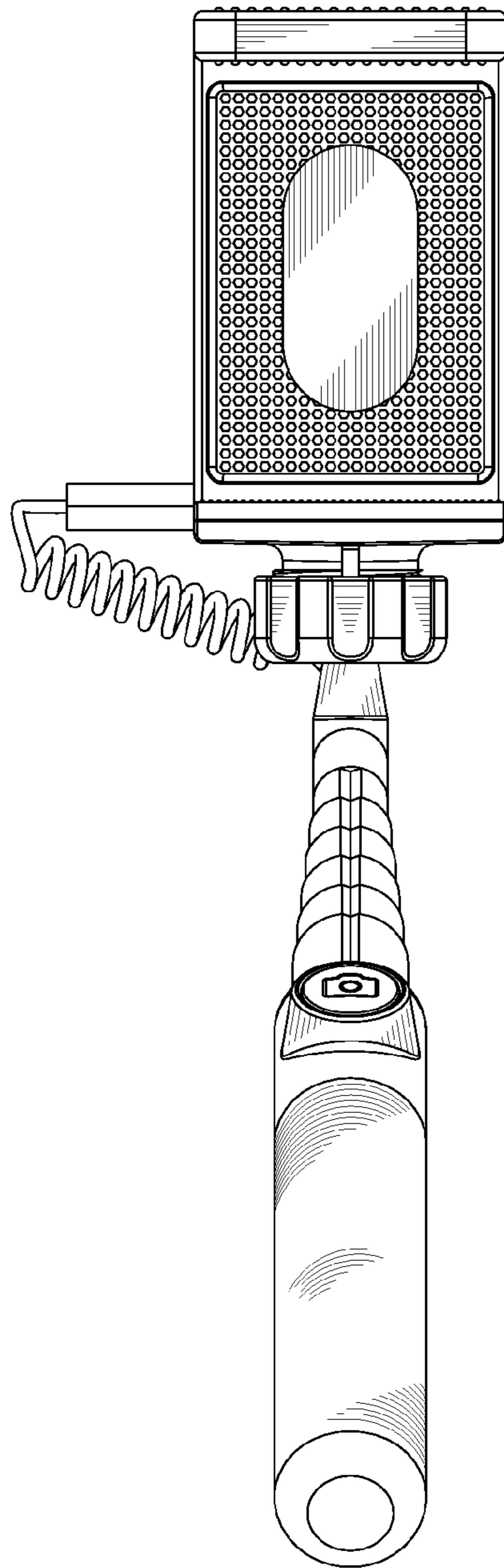


FIG. 2

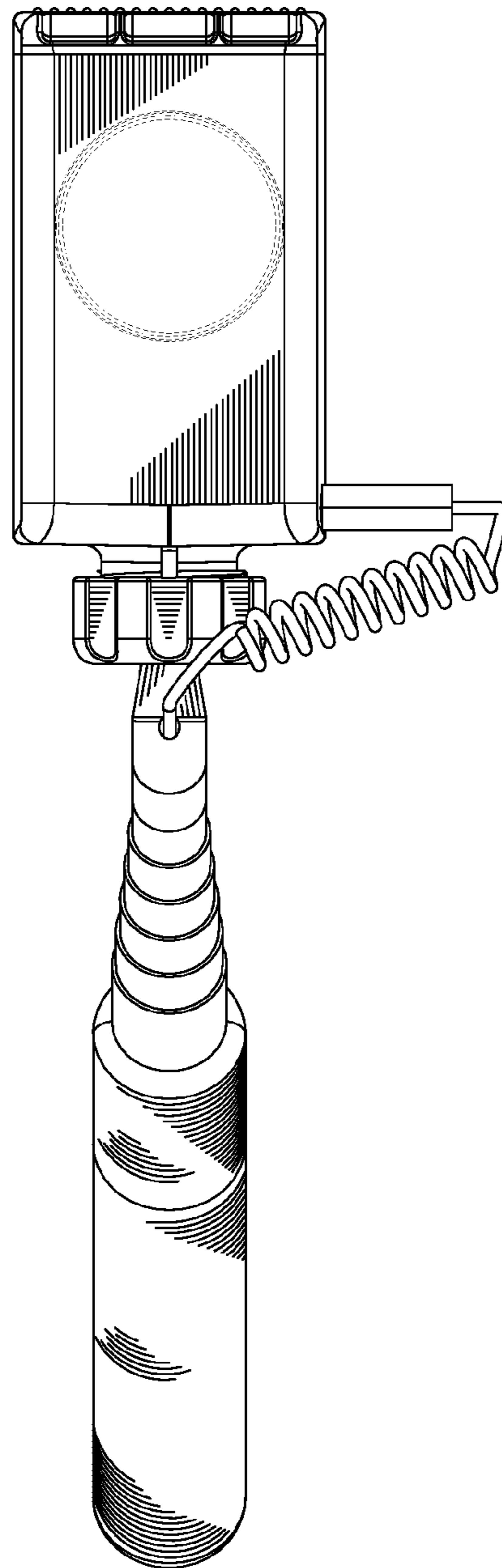


FIG. 3

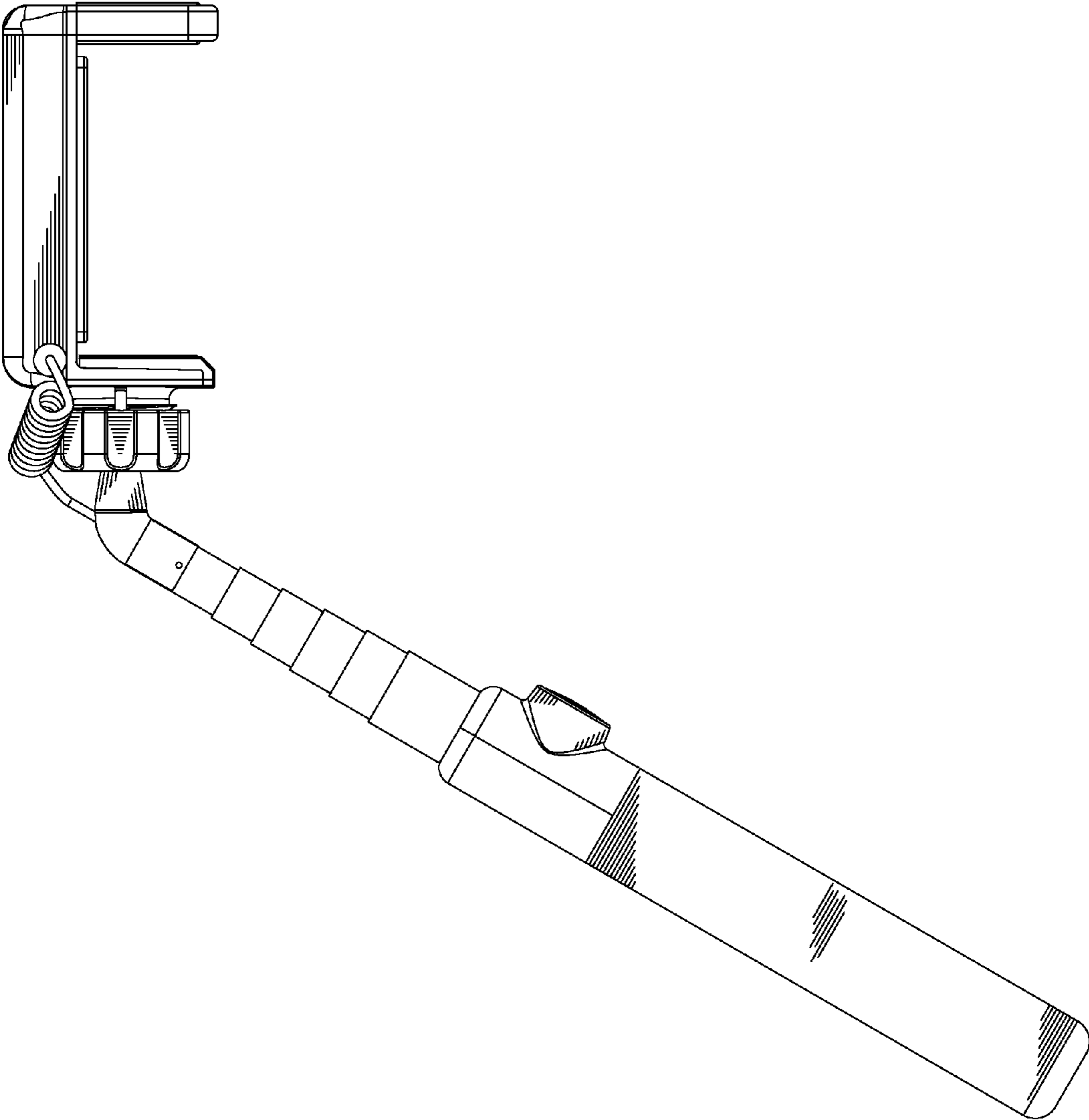


FIG. 4

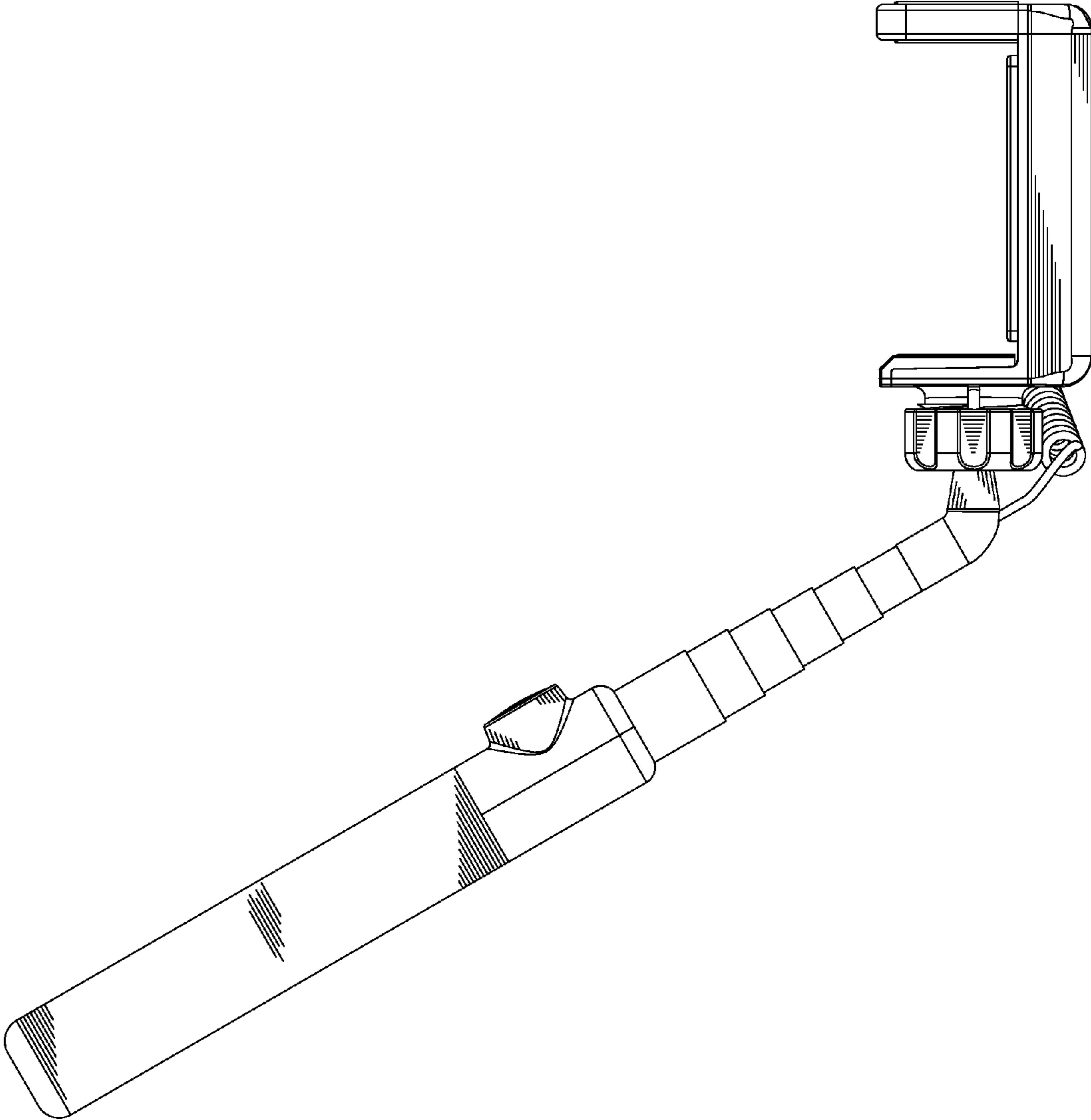


FIG. 5

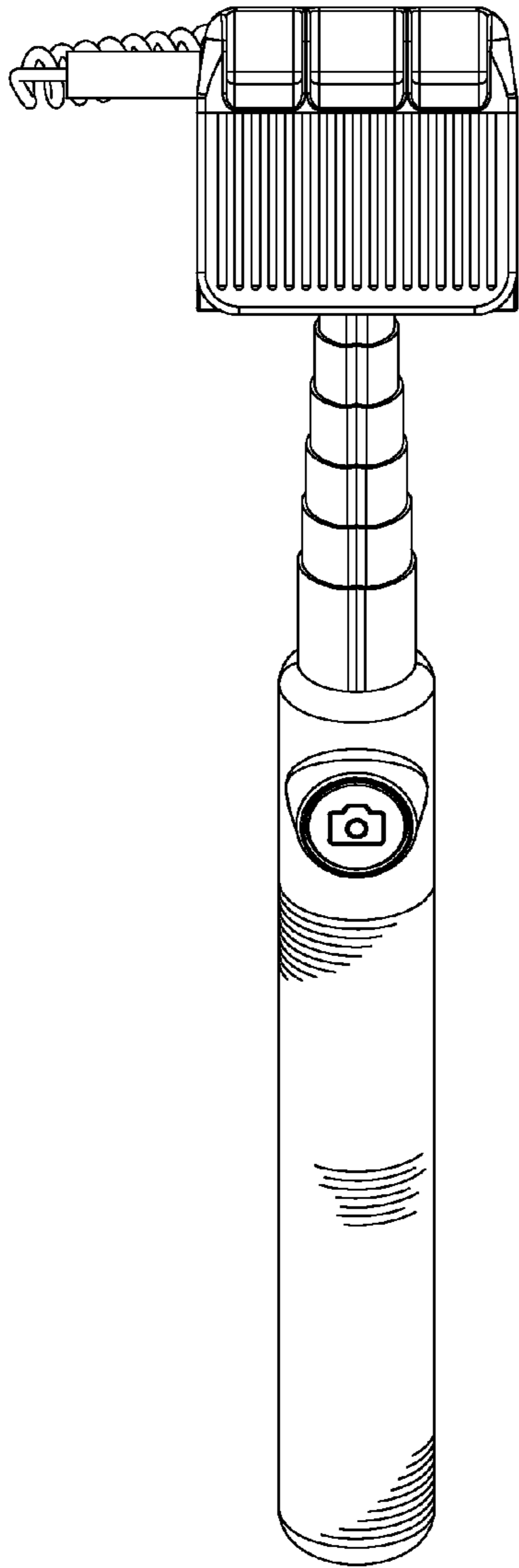


FIG. 6

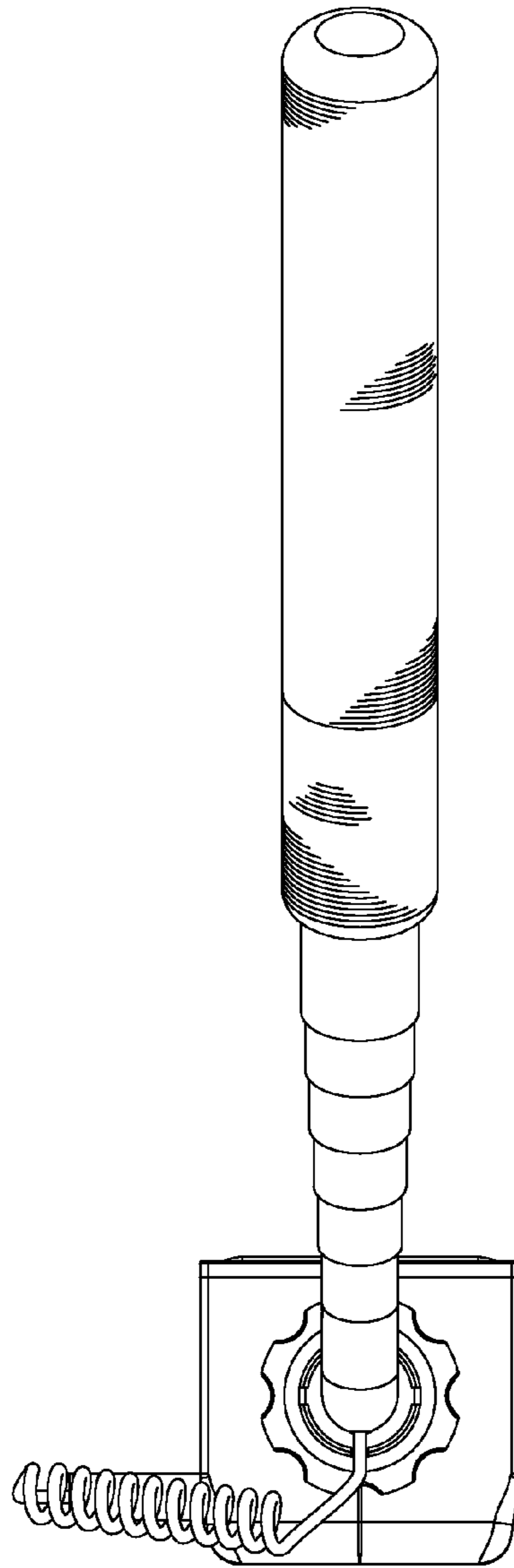


FIG. 7



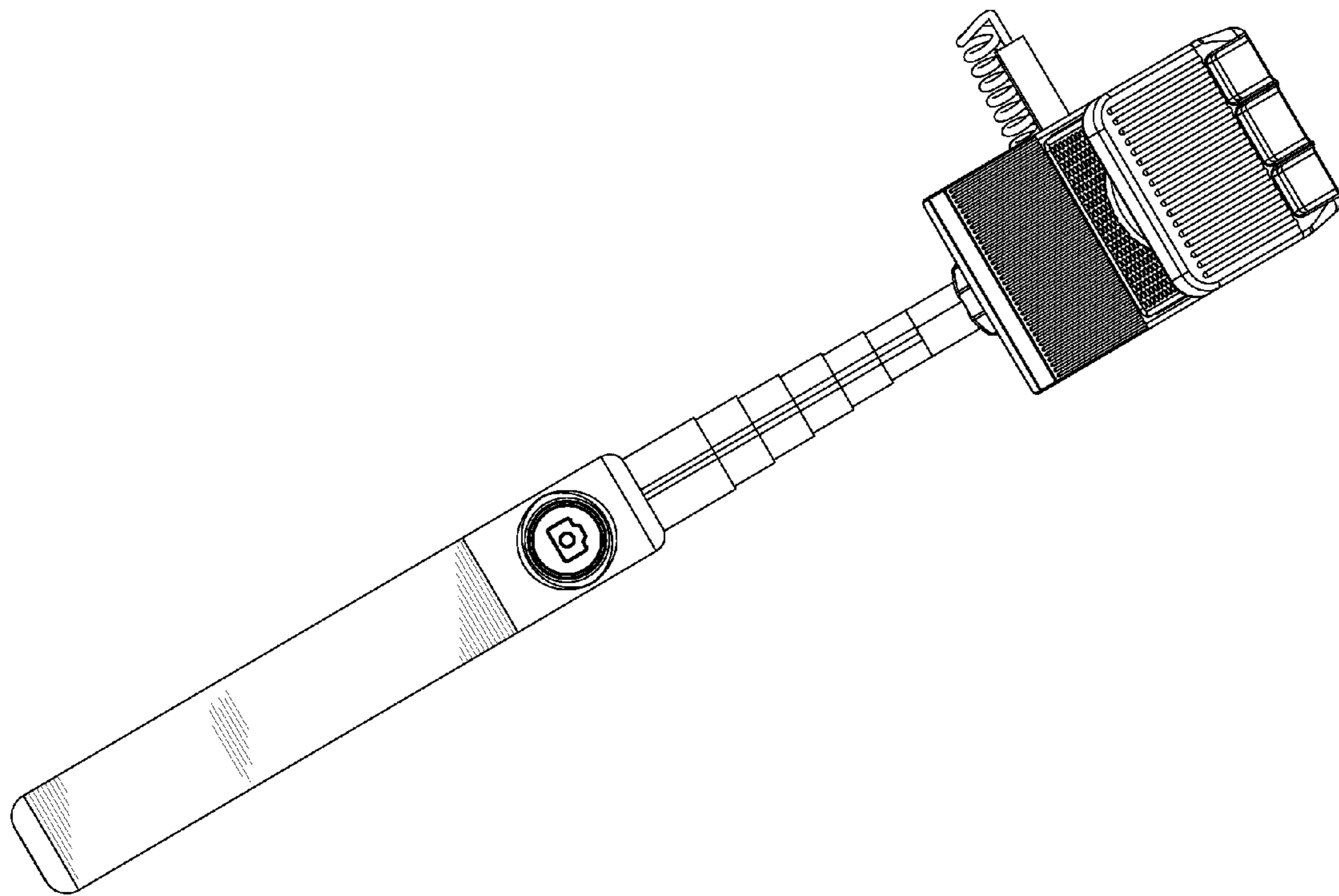


FIG. 8