



US00D715790S

(12) **United States Design Patent**
Conomos et al.

(10) **Patent No.:** **US D715,790 S**
(45) **Date of Patent:** **** Oct. 21, 2014**

(54) **APPARATUS SUPPORT BRACKET**

(75) Inventors: **Nicholas Conomos**, Brisbane Queensland (AU); **Neil Davidson**, Toowong Queensland (AU); **Sara Pontoppidan**, Toowong Queensland (AU); **Robert Shepherd**, Toowong Queensland (AU); **Cambell Smyth**, Toowong Queensland (AU)

(73) Assignee: **Nicholas Conomos**, Brisbane Queensland (AU)

(**) Term: **14 Years**

(21) Appl. No.: **29/418,234**

(22) Filed: **Apr. 13, 2012**

(51) **LOC (10) Cl.** **14-03**

(52) **U.S. Cl.**
USPC **D14/253; D8/355**

(58) **Field of Classification Search**
USPC D8/349, 354, 355, 363; D14/140, 217, D14/224, 224.1, 229, 240, 243, 250–253, D14/299, 344, 434, 447, 451–452, 483, D14/496; D13/108; 361/679.41; 439/116, 439/107; D12/415, 418; 379/165, 449, 455; 248/352, 309.3, 309.1, 205.5, 279.1, 248/206.2, 205.8, 157, 127, 122.1; D3/201; D11/79; 63/26

See application file for complete search history.

(56) **References Cited**

U.S. PATENT DOCUMENTS

3,831,991 A * 8/1974 Lukeman 294/187
D331,005 S * 11/1992 Plahn D8/355

5,911,395 A * 6/1999 Hussaini 248/206.3
D614,613 S * 4/2010 Kim et al. D14/253
D626,541 S * 11/2010 Kim et al. D14/253
D638,008 S * 5/2011 Richter D14/253
D645,462 S * 9/2011 Choi D14/253
D655,282 S * 3/2012 Richter D14/253
D655,283 S * 3/2012 Richter D14/253
D655,284 S * 3/2012 Richter D14/253
D681,028 S * 4/2013 Richter D14/253
D681,029 S * 4/2013 Richter D14/253
2007/0120026 A1 * 5/2007 Chen 248/205.5
2007/0120027 A1 * 5/2007 Chang 248/205.5

* cited by examiner

Primary Examiner — Mark Goodwin

(74) *Attorney, Agent, or Firm* — Fredrikson & Byron, PA

(57) **CLAIM**

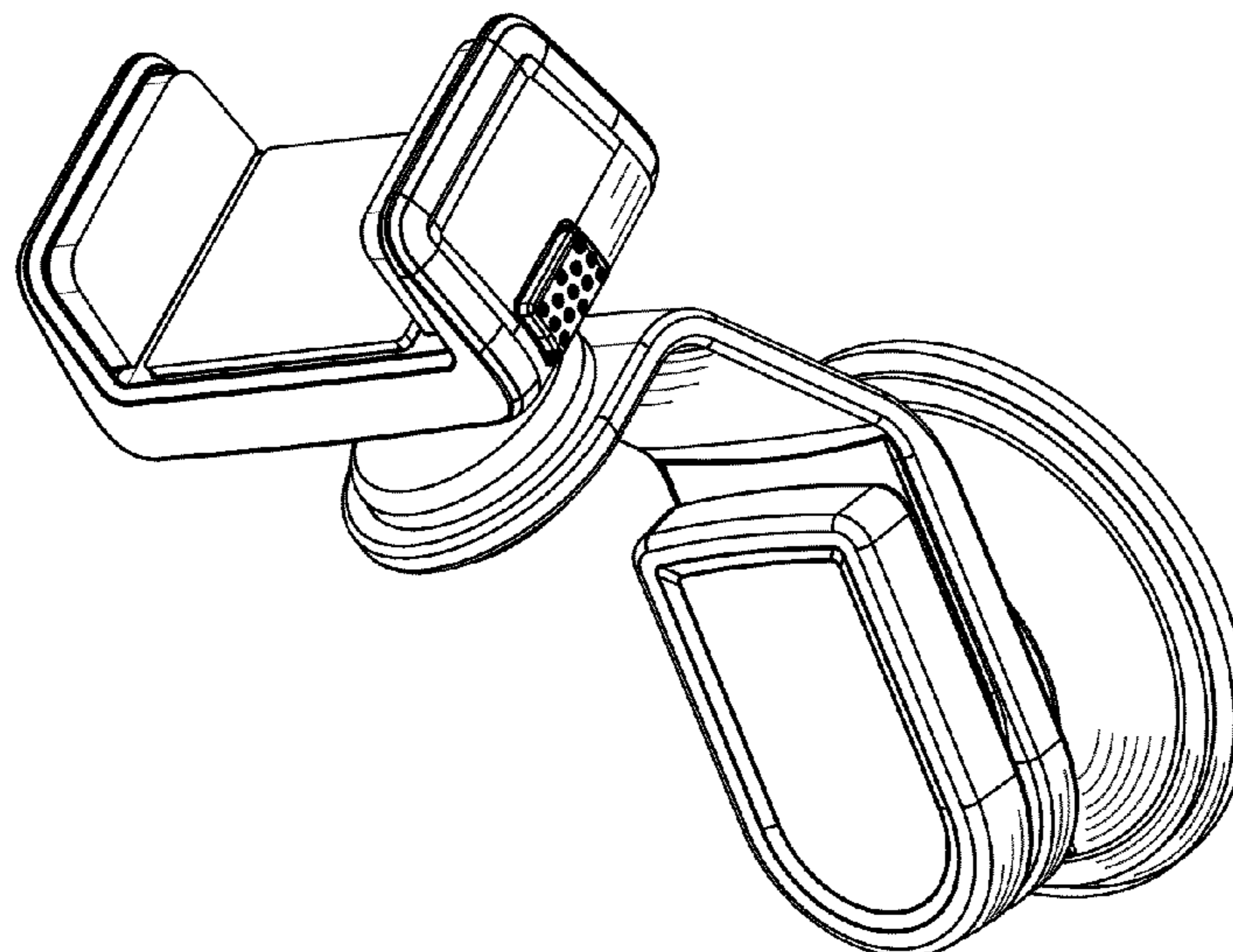
We claim the ornamental design for an apparatus support bracket, as shown and described.

DESCRIPTION

FIG. 1 is a front perspective view of an apparatus support bracket of our new design;
FIG. 2 is a rear perspective view thereof;
FIG. 3 is an elevation view of a first side thereof;
FIG. 4 is an elevation view of a second side thereof opposite said first side;
FIG. 5 is a top plan view thereof;
FIG. 6 is a bottom plan view thereof;
FIG. 7 is an elevation view of a third side thereof; and,
FIG. 8 is an elevation view of a fourth side thereof opposite said third side.

The broken line showing in FIGS. 2, 4, and 6 is included for the purpose of illustrating portions of the apparatus support bracket and forms no part of the claimed design.

1 Claim, 5 Drawing Sheets



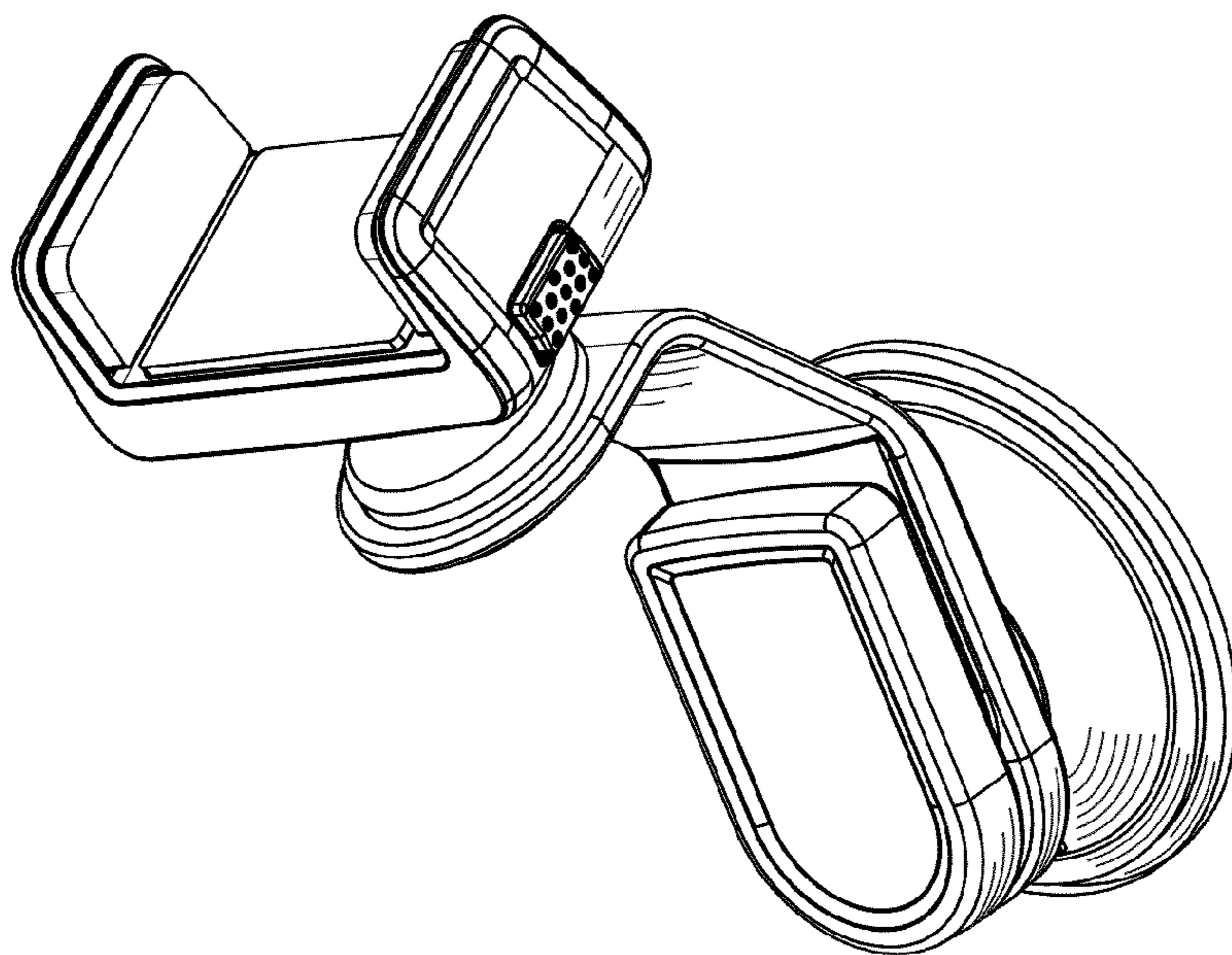


Fig. 1

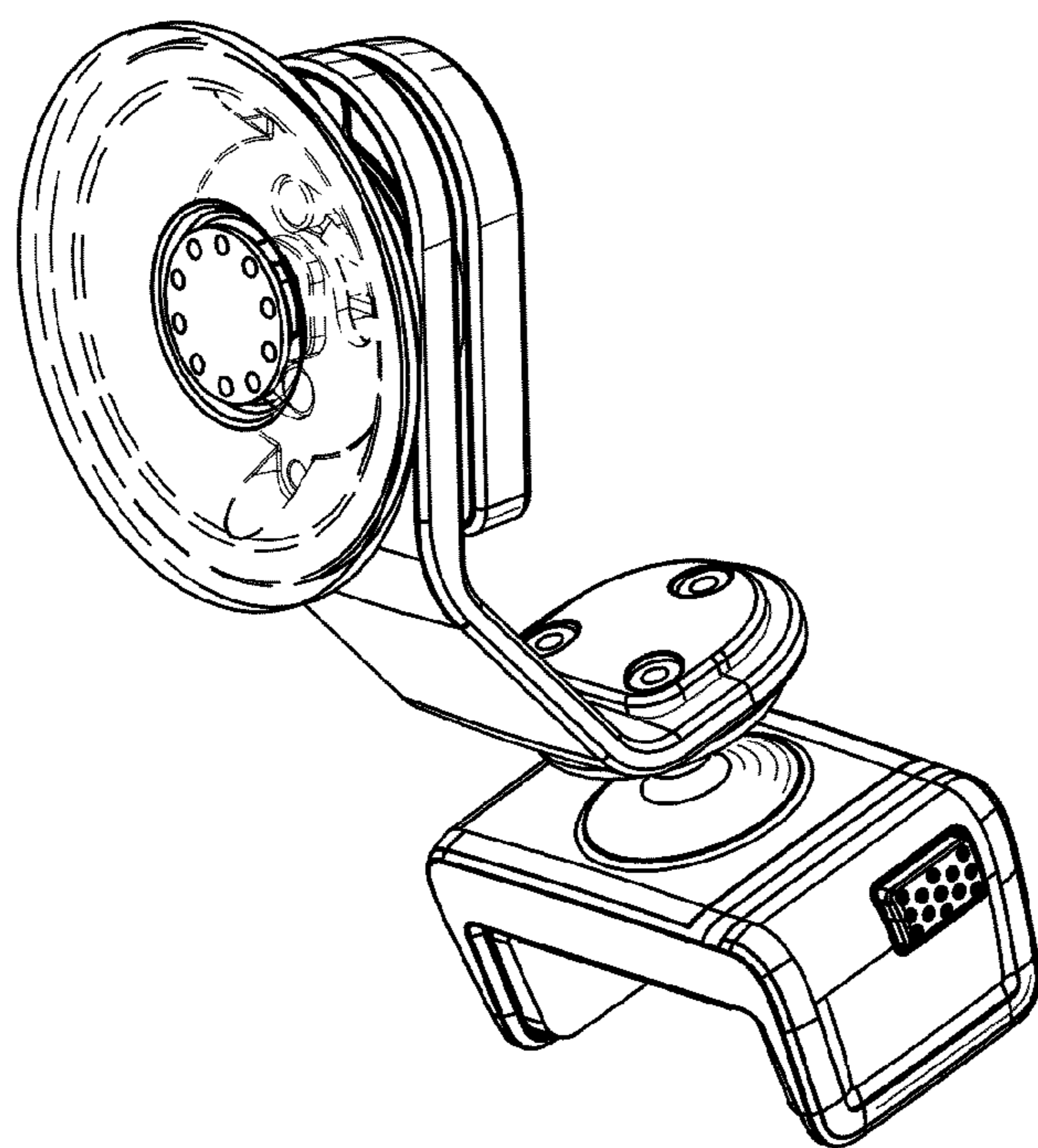


Fig. 2

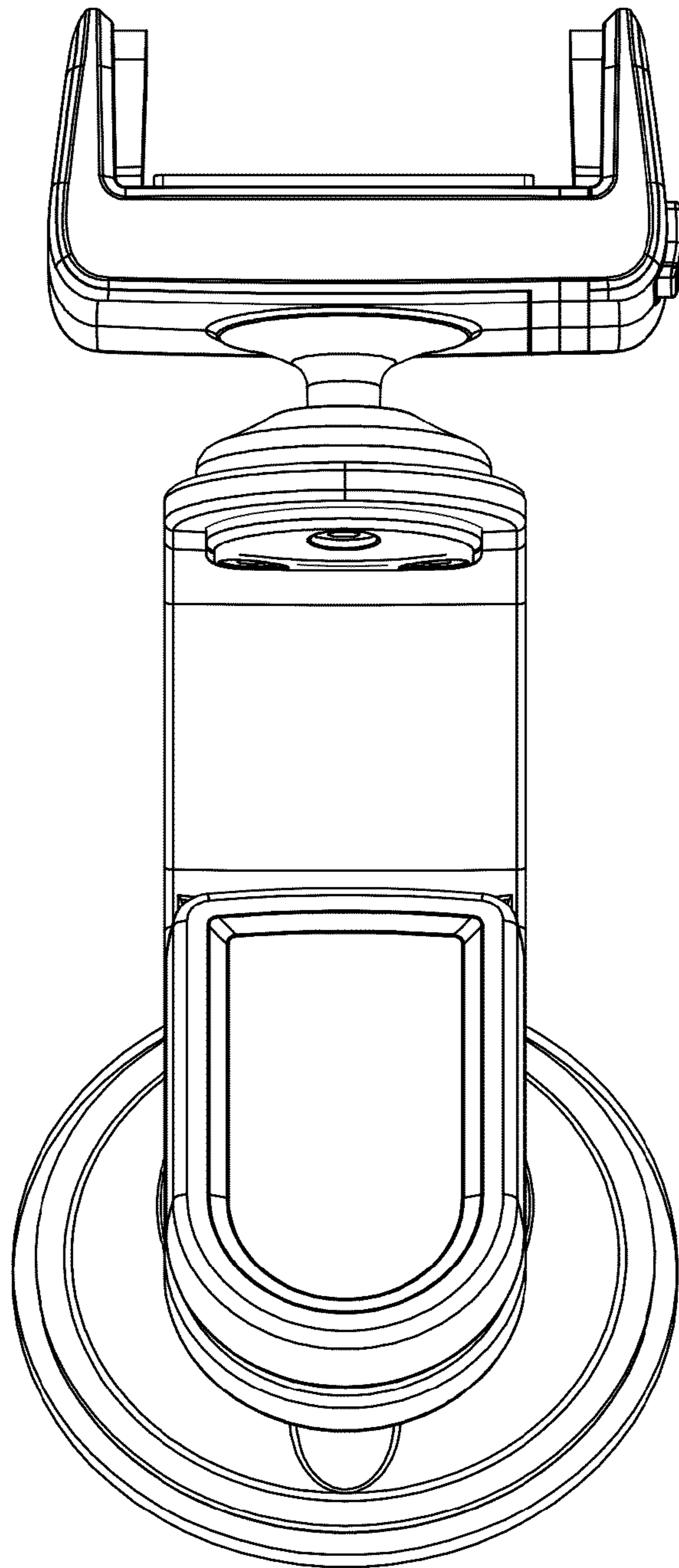


Fig. 3

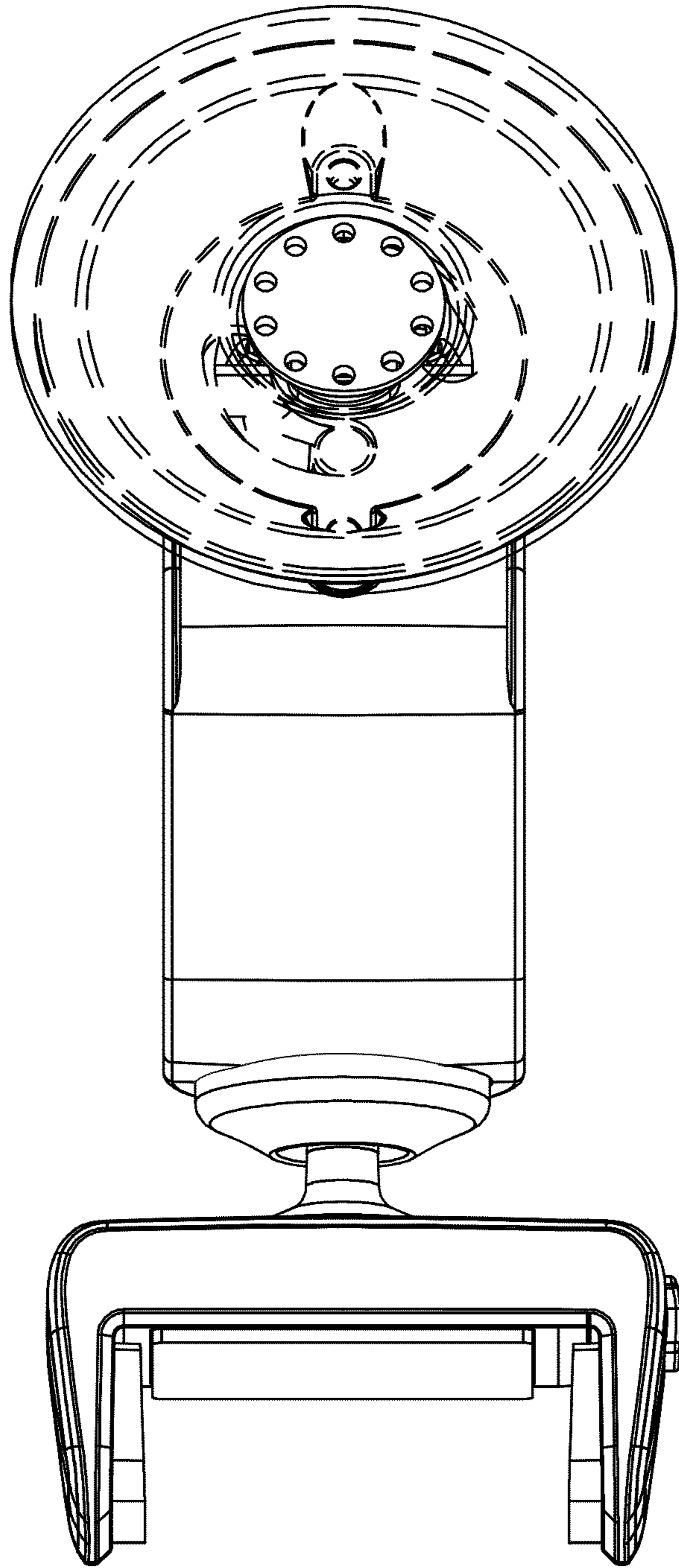


Fig. 4

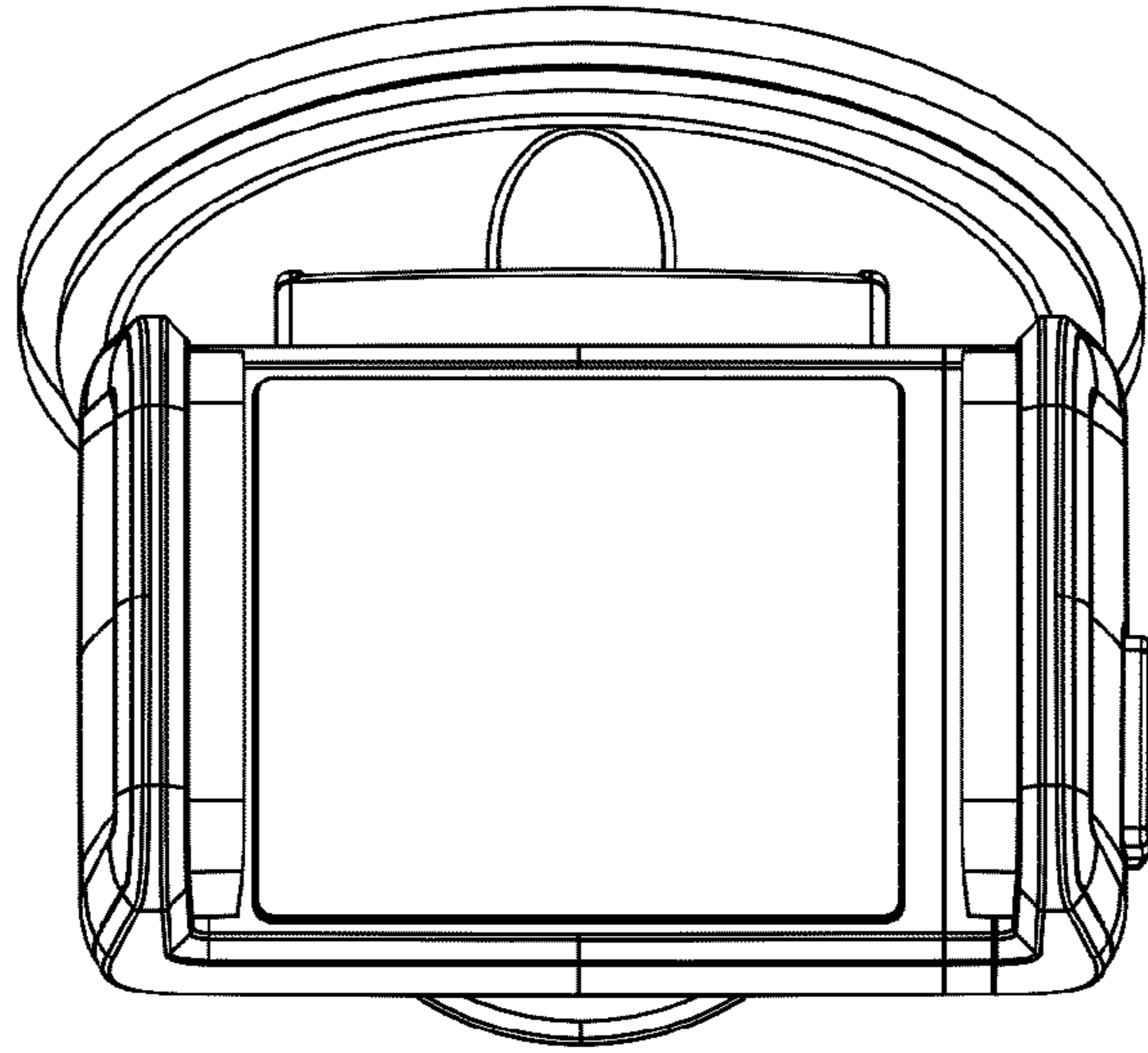


Fig. 5

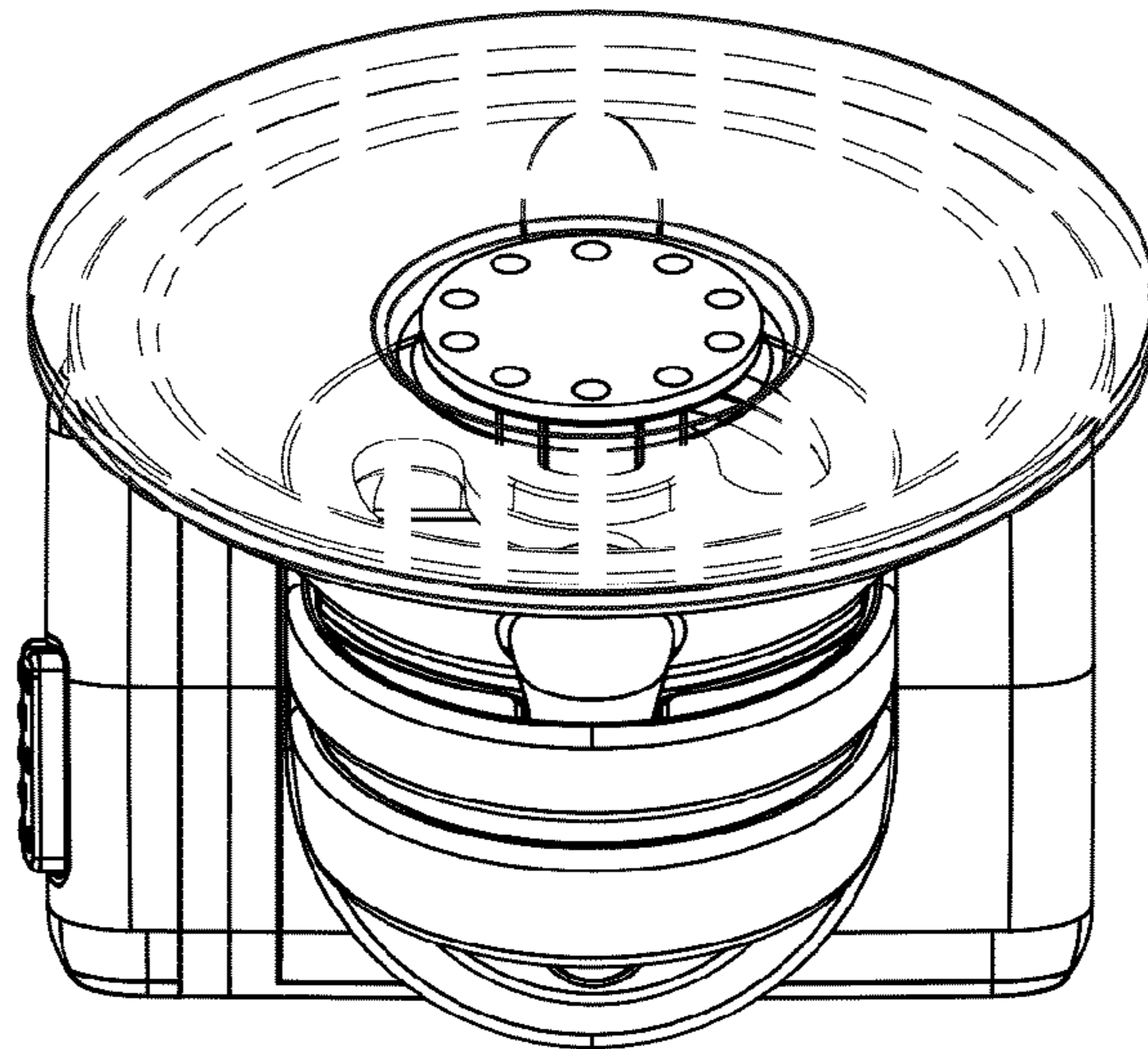


Fig. 6

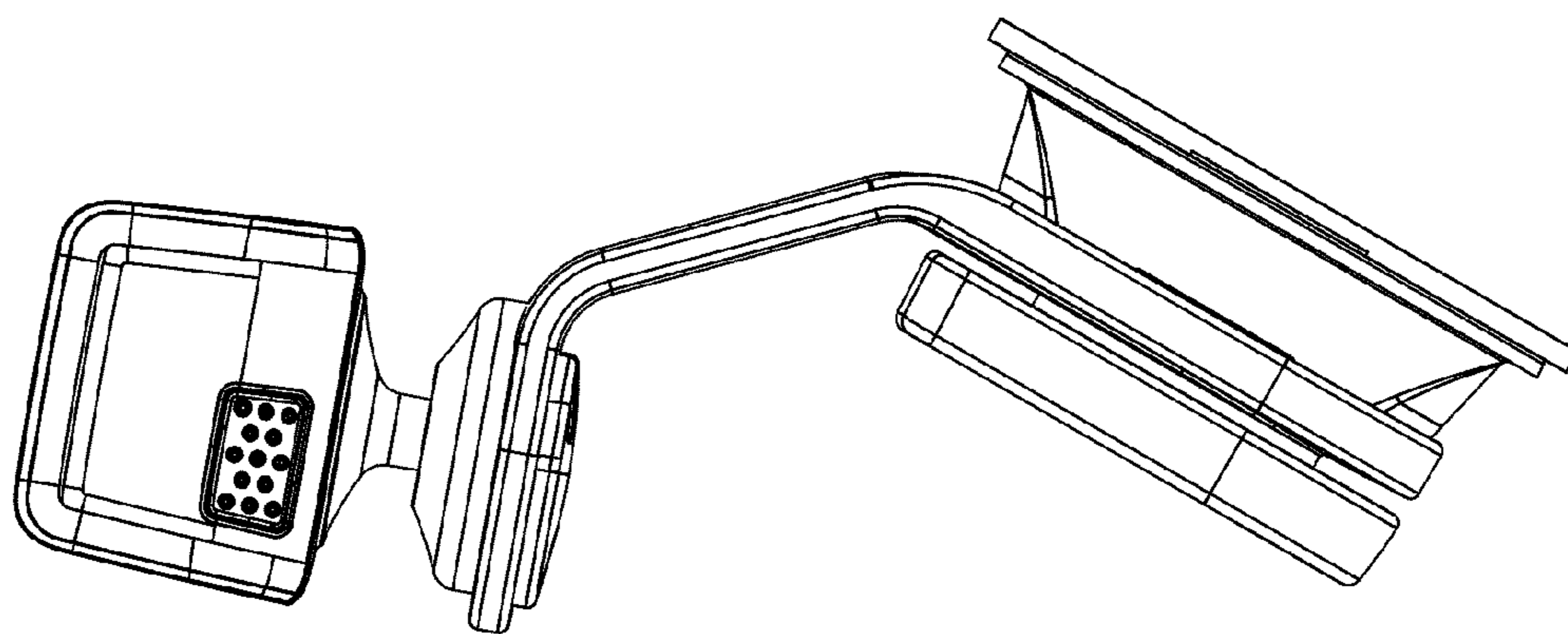


Fig. 7

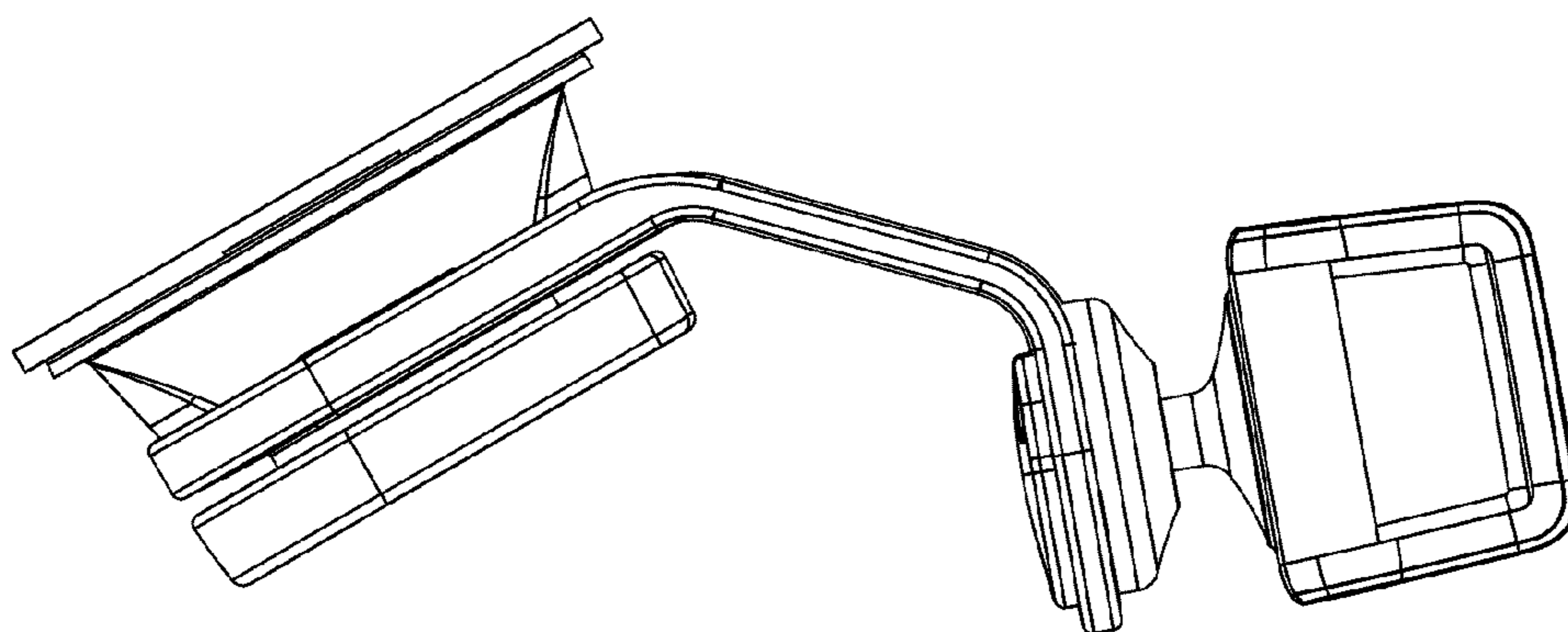


Fig. 8