



US00D715784S

(12) **United States Design Patent**  
**Lin et al.**

(10) **Patent No.:** **US D715,784 S**  
(45) **Date of Patent:** **\*\* Oct. 21, 2014**

(54) **SCREEN FILM KIT FOR A TABLET OR A PHONE**

(71) Applicants: **Shao Yu Lin**, Guangdong (CN); **Qiang Xiong**, Guangdong (CN)

(72) Inventors: **Shao Yu Lin**, Guangdong (CN); **Qiang Xiong**, Guangdong (CN)

(\*\*) Term: **14 Years**

(21) Appl. No.: **29/451,794**

(22) Filed: **Apr. 9, 2013**

(30) **Foreign Application Priority Data**

Jan. 5, 2013 (CN) ..... 2013 3 00551160

(51) **LOC (10) Cl.** ..... **14-02**

(52) **U.S. Cl.**  
USPC ..... **D14/238.1**

(58) **Field of Classification Search**  
USPC ..... D14/188, 496, 224, 224.1, 238.1, 239, D14/447-450, 250, 251; D21/324, 333; 359/443, 450, 452, 453, 456, 460, 507, 359/893; 348/818, 823, 824, 825, 834, 739, 348/786, 789; 345/156, 30-34, 903, 905, 345/160, 162, 174, 175  
See application file for complete search history.

(56) **References Cited**

U.S. PATENT DOCUMENTS

5,508,757	A *	4/1996	Chen	348/818
6,750,922	B1 *	6/2004	Benning	348/818
D514,114	S *	1/2006	Cochard	D14/450
7,226,176	B1 *	6/2007	Huang	359/609
7,362,386	B2 *	4/2008	Huber	348/789
D612,818	S *	3/2010	Lents, Jr.	D14/125
8,044,942	B1 *	10/2011	Leonhard et al.	345/173
D652,825	S *	1/2012	Bau	D14/238.1
D656,135	S *	3/2012	Swartz et al.	D14/250
D658,164	S *	4/2012	Chan	D14/238.1
D681,612	S *	5/2013	Palacios	D14/238.1
8,616,327	B1 *	12/2013	Palacios	181/175

\* cited by examiner

*Primary Examiner* — Prabhakar Deshmukh

(74) *Attorney, Agent, or Firm* — IPro, Inc.; Na Xu

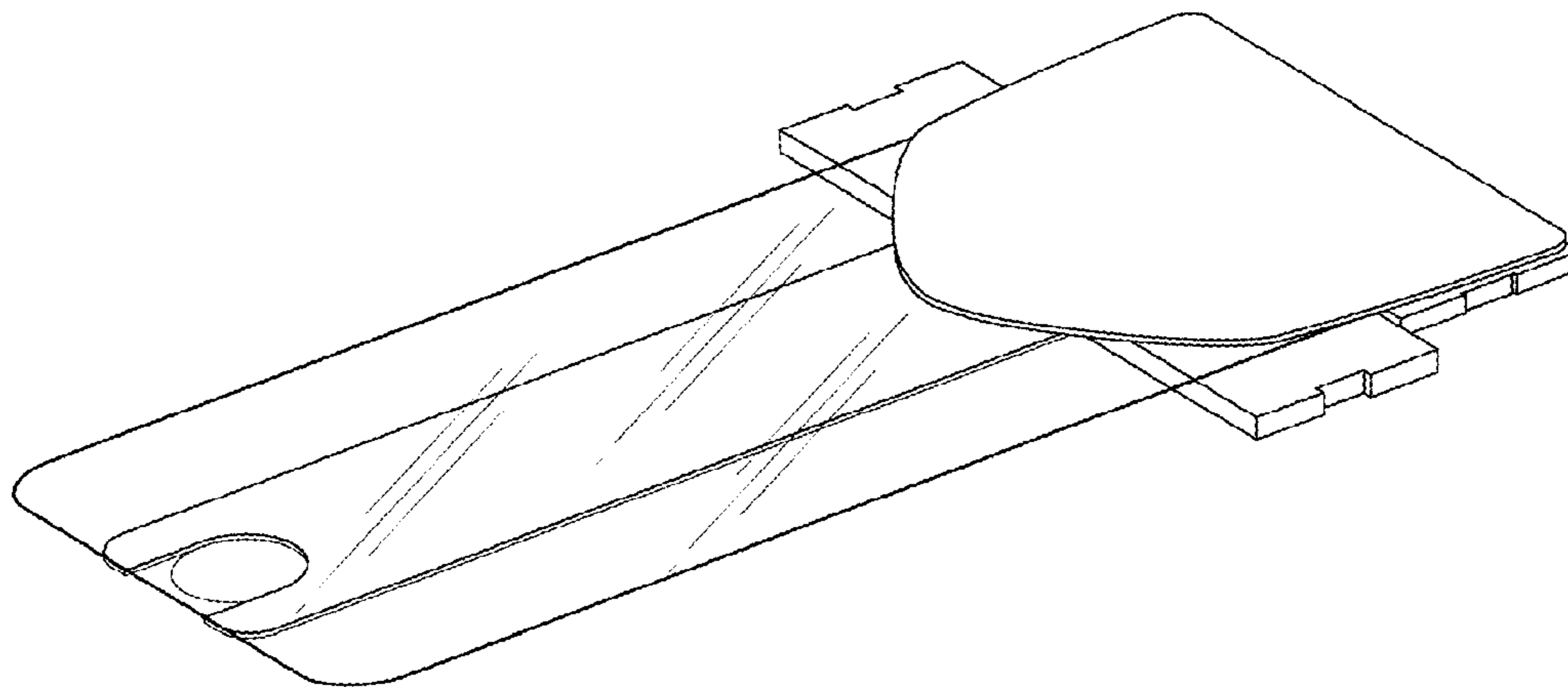
(57) **CLAIM**

The ornamental design for a screen film kit for a tablet or a phone, as shown and described.

**DESCRIPTION**

FIG. 1 is a front perspective view of a screen film kit for a tablet or a phone showing our new design; FIG. 2 is a rear perspective view thereof; FIG. 3 is a front elevation view thereof; FIG. 4 is a rear elevation view thereof; FIG. 5 is a left elevation view thereof; FIG. 6 is a right elevation view thereof; FIG. 7 is a top plan view thereof; and, FIG. 8 is a bottom plan view thereof.

**1 Claim, 6 Drawing Sheets**



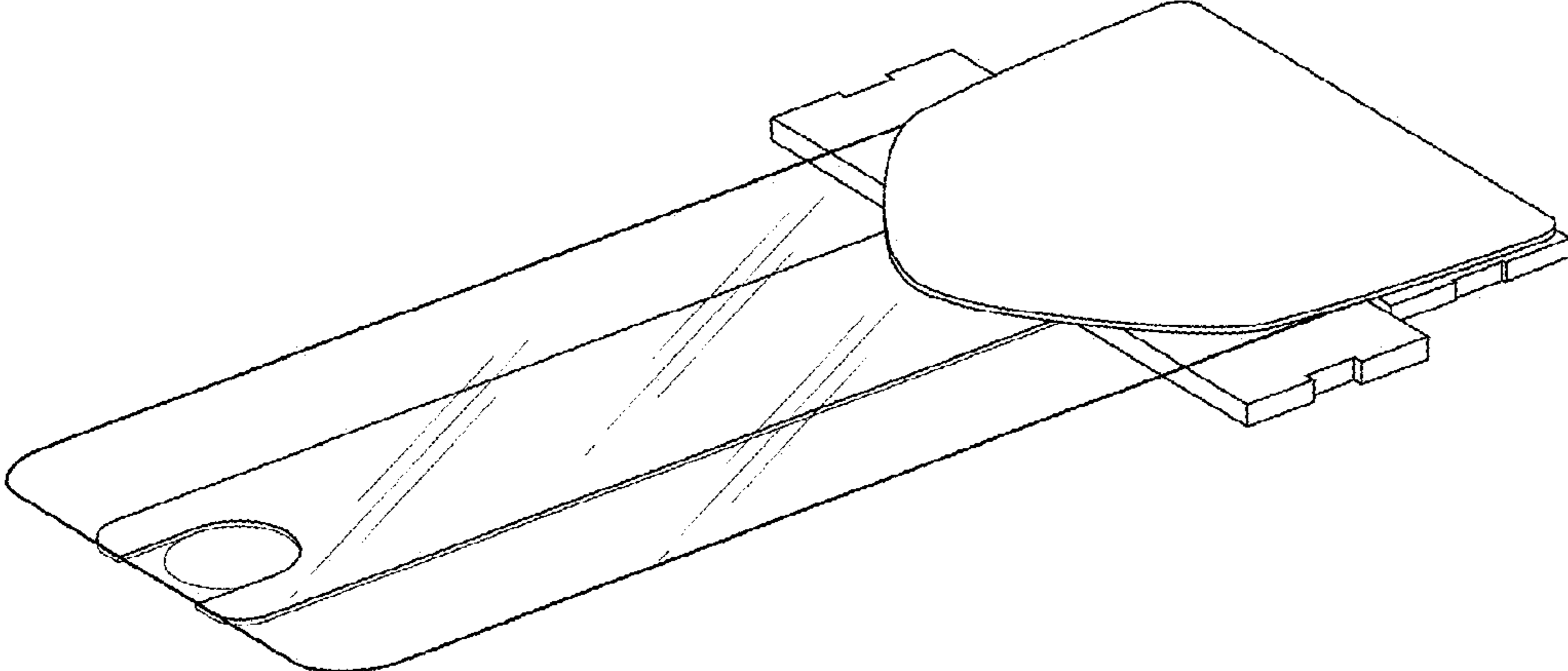


Figure 1

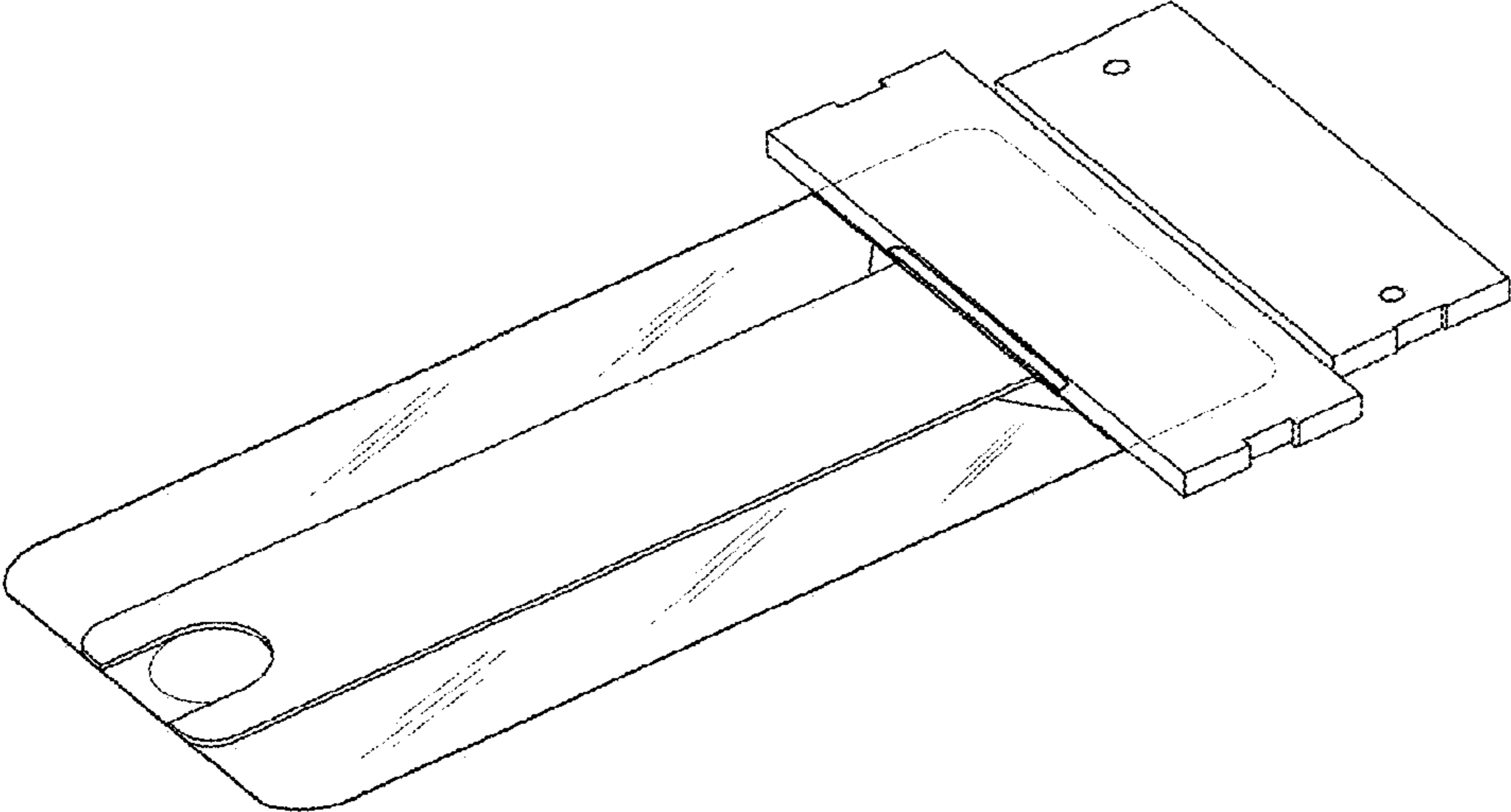


Figure 2

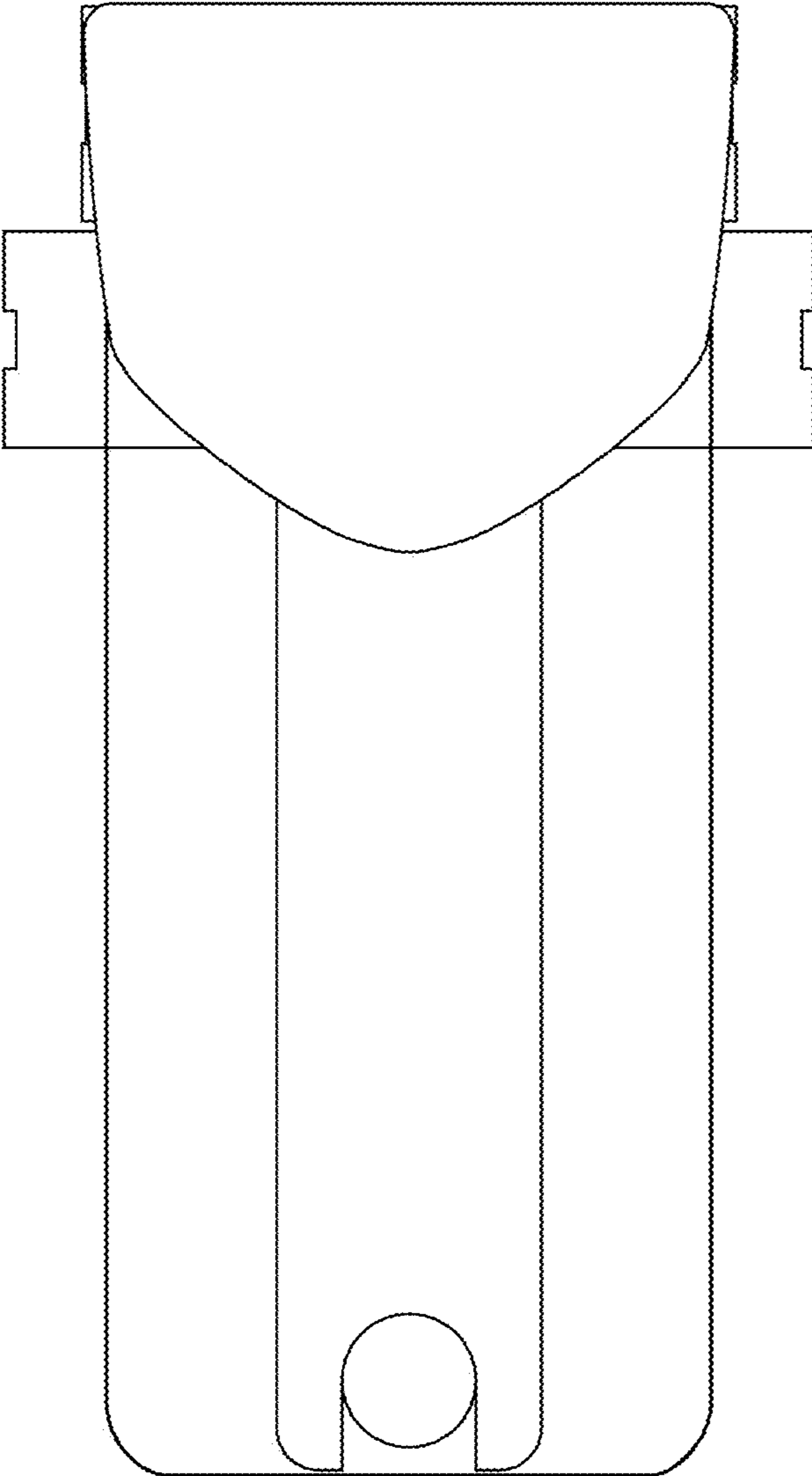


Figure 3

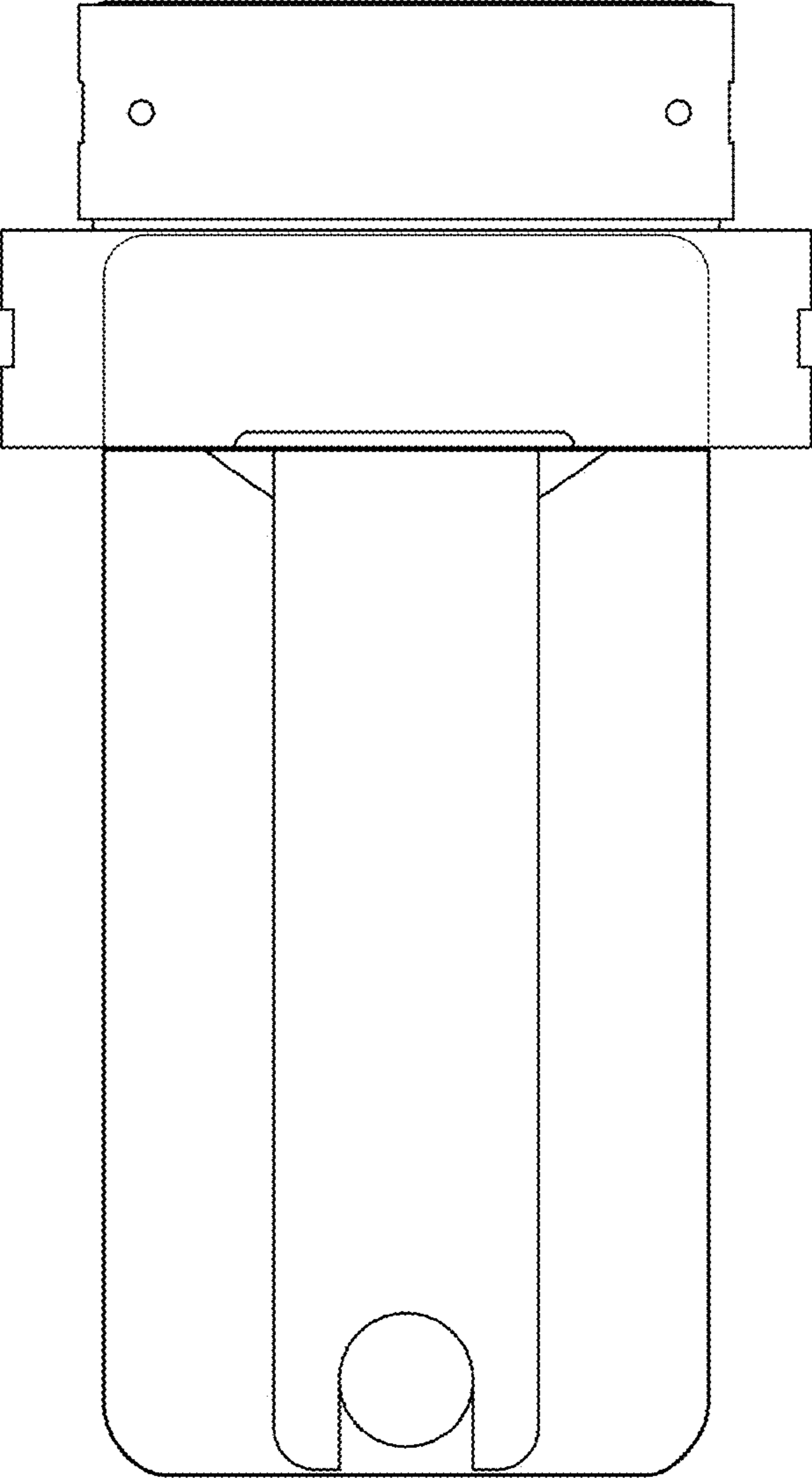


Figure 4

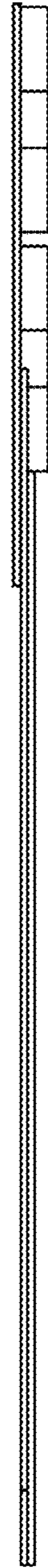


Figure 5



Figure 6



Figure 7

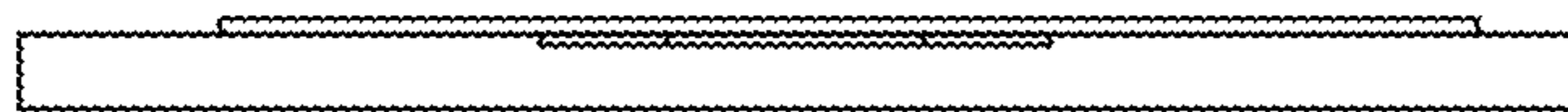


Figure 8