



US00D715777S

(12) **United States Design Patent**
Huang et al.

(10) **Patent No.:** **US D715,777 S**
(45) **Date of Patent:** **** Oct. 21, 2014**

(54) **EARPHONE**

(71) Applicant: **Merry Electronics (Shenzhen) Co., Ltd.**, Shenzhen (CN)

(72) Inventors: **Allen Huang**, Taichung (TW); **Troy Hung**, Taichung (TW)

(73) Assignee: **Merry Electronics (Shenzhen) Co., Ltd.**, Shenzhen (CN)

(**) Term: **14 Years**

(21) Appl. No.: **29/470,697**

(22) Filed: **Oct. 24, 2013**

(51) **LOC (10) Cl.** **14-01**

(52) **U.S. Cl.**
USPC **D14/223**

(58) **Field of Classification Search**
CPC H04R 1/1016
USPC D14/223, 205, 206; 181/129, 130, 135;
379/430, 431; 381/380, 381, 322;
455/90.3, 575.1

See application file for complete search history.

(56) **References Cited**

U.S. PATENT DOCUMENTS

| | | | | | | |
|-----------|---|---|---------|-----------------|-------|---------|
| D206,665 | S | * | 1/1967 | Sanzone | | D24/174 |
| 3,440,365 | A | * | 4/1969 | Hazell et al. | | 379/430 |
| 4,069,400 | A | * | 1/1978 | Johanson et al. | | 381/324 |
| D266,271 | S | * | 9/1982 | Johanson et al. | | D24/174 |
| 4,953,215 | A | * | 8/1990 | Weiss et al. | | 381/325 |
| 5,363,444 | A | * | 11/1994 | Norris | | 379/430 |
| 5,659,156 | A | * | 8/1997 | Mauney et al. | | 181/130 |
| D427,994 | S | * | 7/2000 | Pirelli | | D14/223 |
| 6,122,388 | A | * | 9/2000 | Feldman | | 381/322 |

| | | | | | | |
|-----------|----|---|---------|----------------|-------|---------|
| D457,514 | S | * | 5/2002 | Marion et al. | | D14/223 |
| 6,574,345 | B1 | * | 6/2003 | Huang | | 381/380 |
| D531,169 | S | * | 10/2006 | Tokioka et al. | | D14/223 |
| D549,222 | S | * | 8/2007 | Huang | | D14/223 |
| D550,657 | S | * | 9/2007 | Gan et al. | | D14/223 |
| D566,687 | S | * | 4/2008 | Duarte et al. | | D14/205 |
| D587,685 | S | * | 3/2009 | Densho | | D14/206 |
| D590,375 | S | * | 4/2009 | Komiyama | | D14/223 |
| D593,537 | S | * | 6/2009 | Arimoto | | D14/205 |
| D606,049 | S | * | 12/2009 | Matsuda et al. | | D14/223 |
| D623,171 | S | * | 9/2010 | Chen et al. | | D14/223 |
| D628,193 | S | * | 11/2010 | Zheng | | D14/223 |
| D632,677 | S | * | 2/2011 | Brown et al. | | D14/223 |
| D635,558 | S | * | 4/2011 | Zheng | | D14/223 |
| D641,010 | S | * | 7/2011 | Kwon | | D14/223 |
| D652,822 | S | * | 1/2012 | Lee et al. | | D14/223 |
| D652,823 | S | * | 1/2012 | Chen | | D14/223 |
| D666,580 | S | * | 9/2012 | Lee et al. | | D14/223 |
| D699,226 | S | * | 2/2014 | Yoon | | D14/223 |
| D707,206 | S | * | 6/2014 | Akana et al. | | D14/223 |

* cited by examiner

Primary Examiner — Paula Greene

(74) *Attorney, Agent, or Firm* — Bacon & Thomas, PLLC

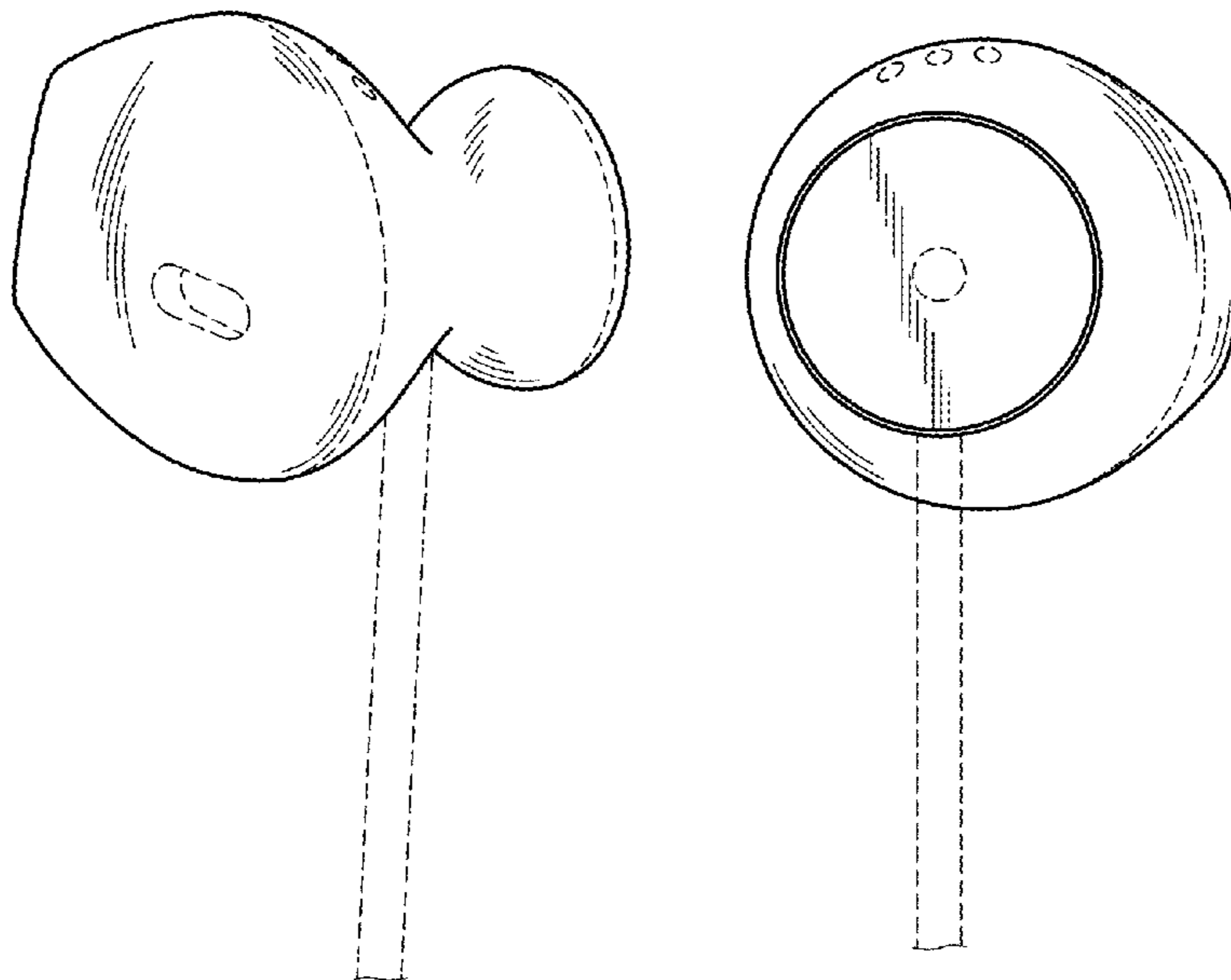
(57) **CLAIM**

The ornamental design for earphone, as shown and described.

DESCRIPTION

FIG. 1 shows a perspective view of the present design.
FIG. 2 shows a front view of the present design.
FIG. 3 shows a rear view of the present design.
FIG. 4 shows a left view of the present design.
FIG. 5 shows a right view of the present design.
FIG. 6 shows a top view of the present design; and,
FIG. 7 shows a bottom view of the present design.
The broken lines are for environmental purposes only and form no part of the claimed design.

1 Claim, 4 Drawing Sheets



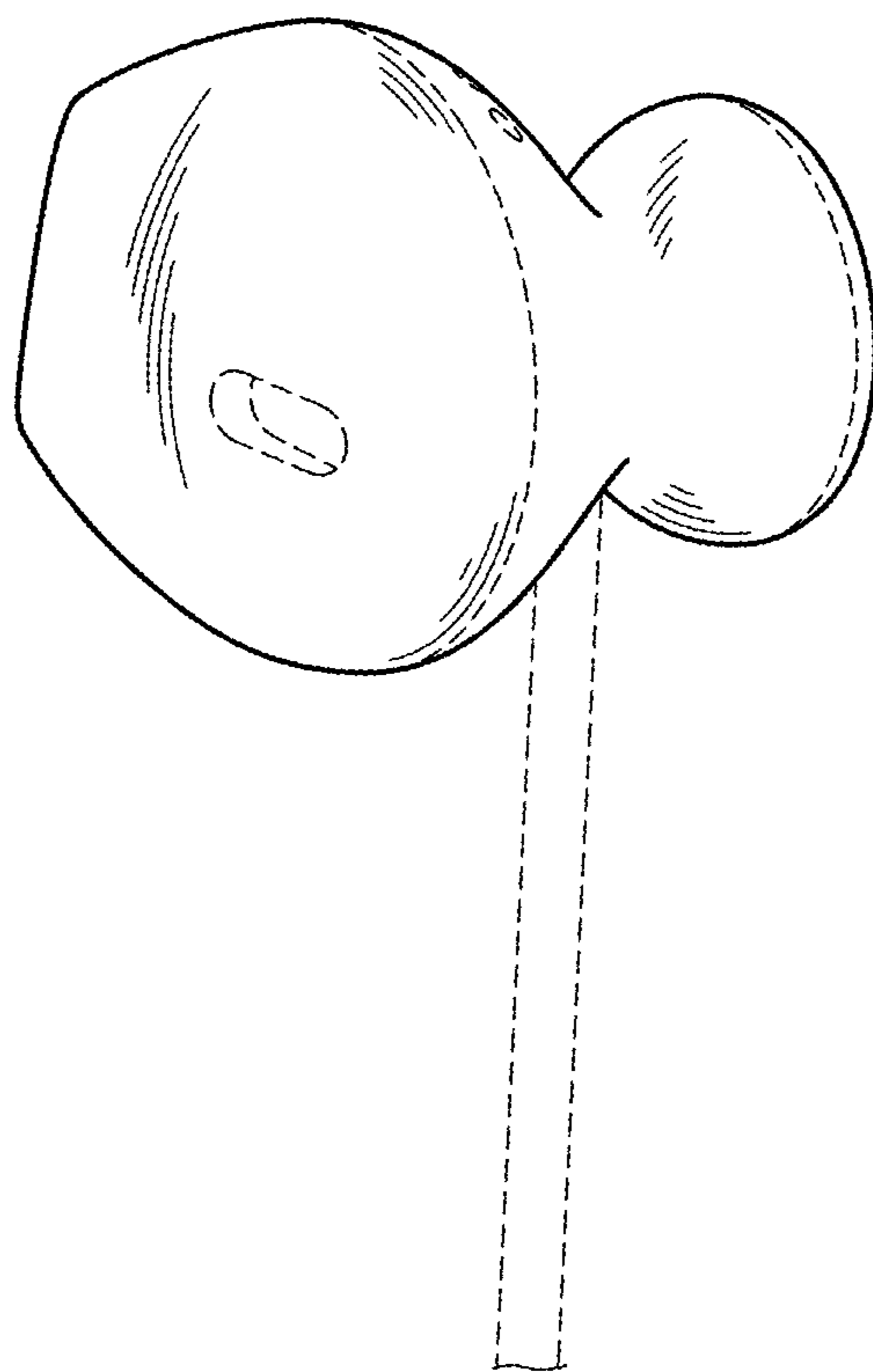


FIG. 1

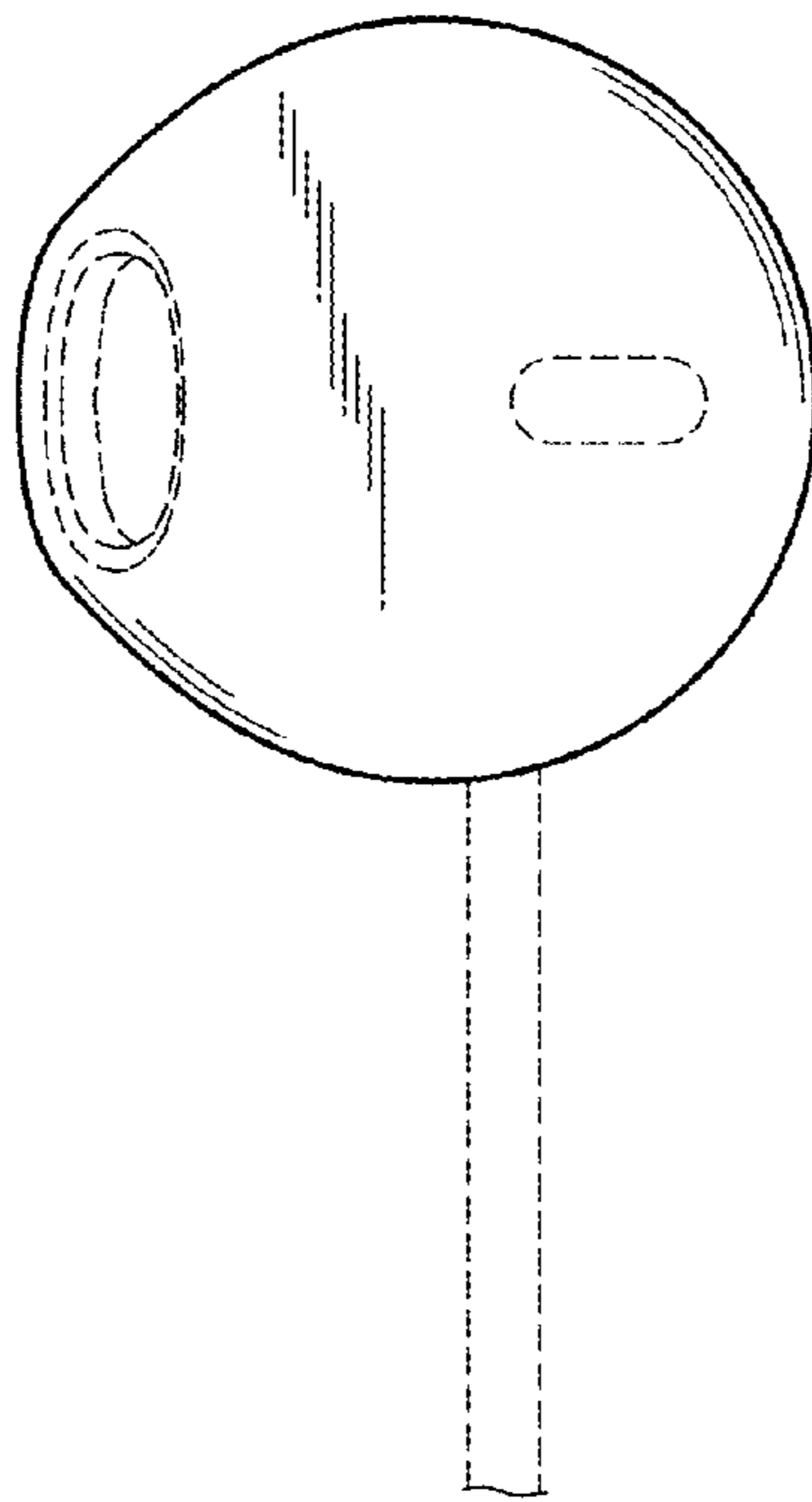


FIG. 2

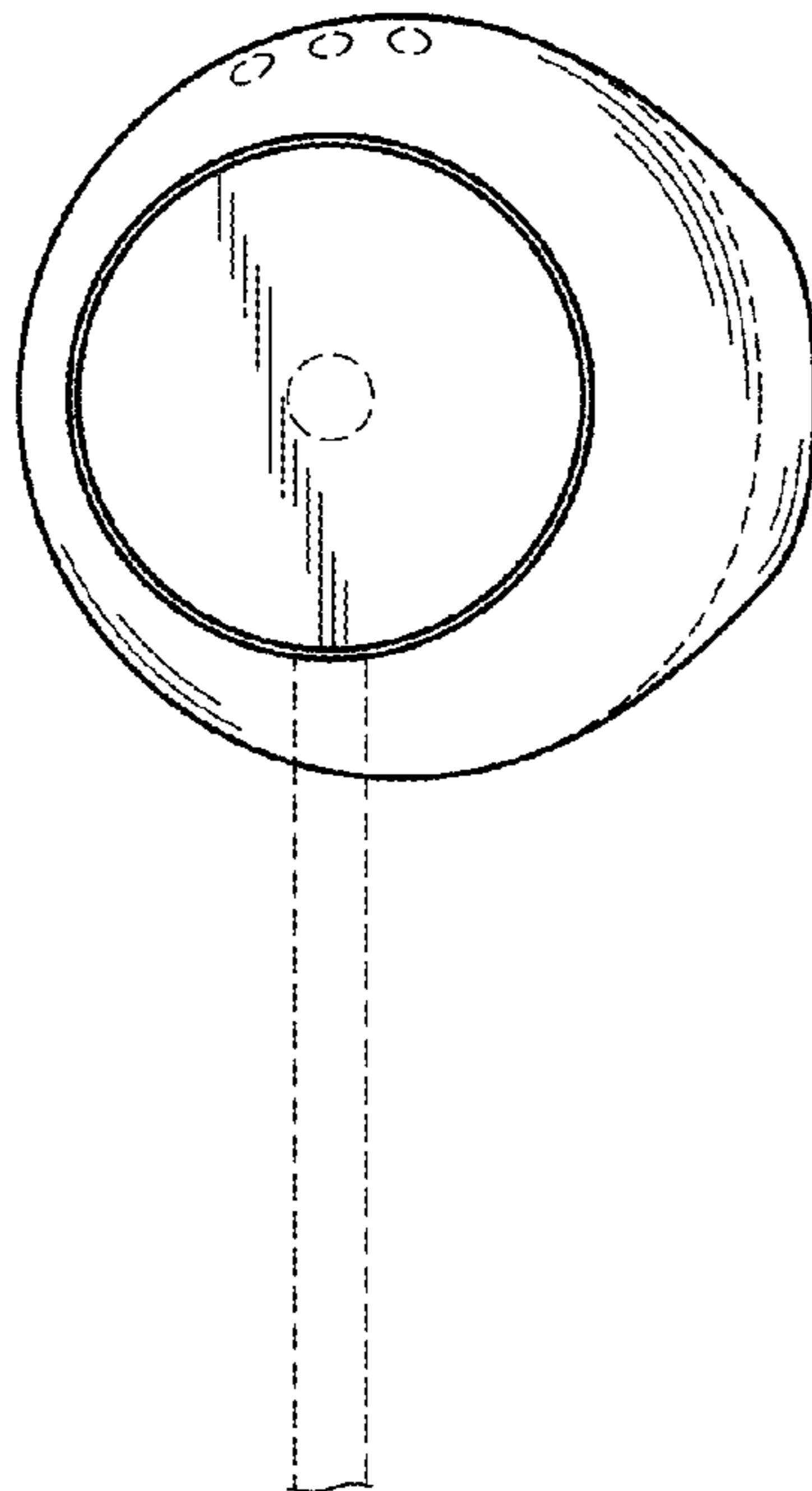


FIG. 3

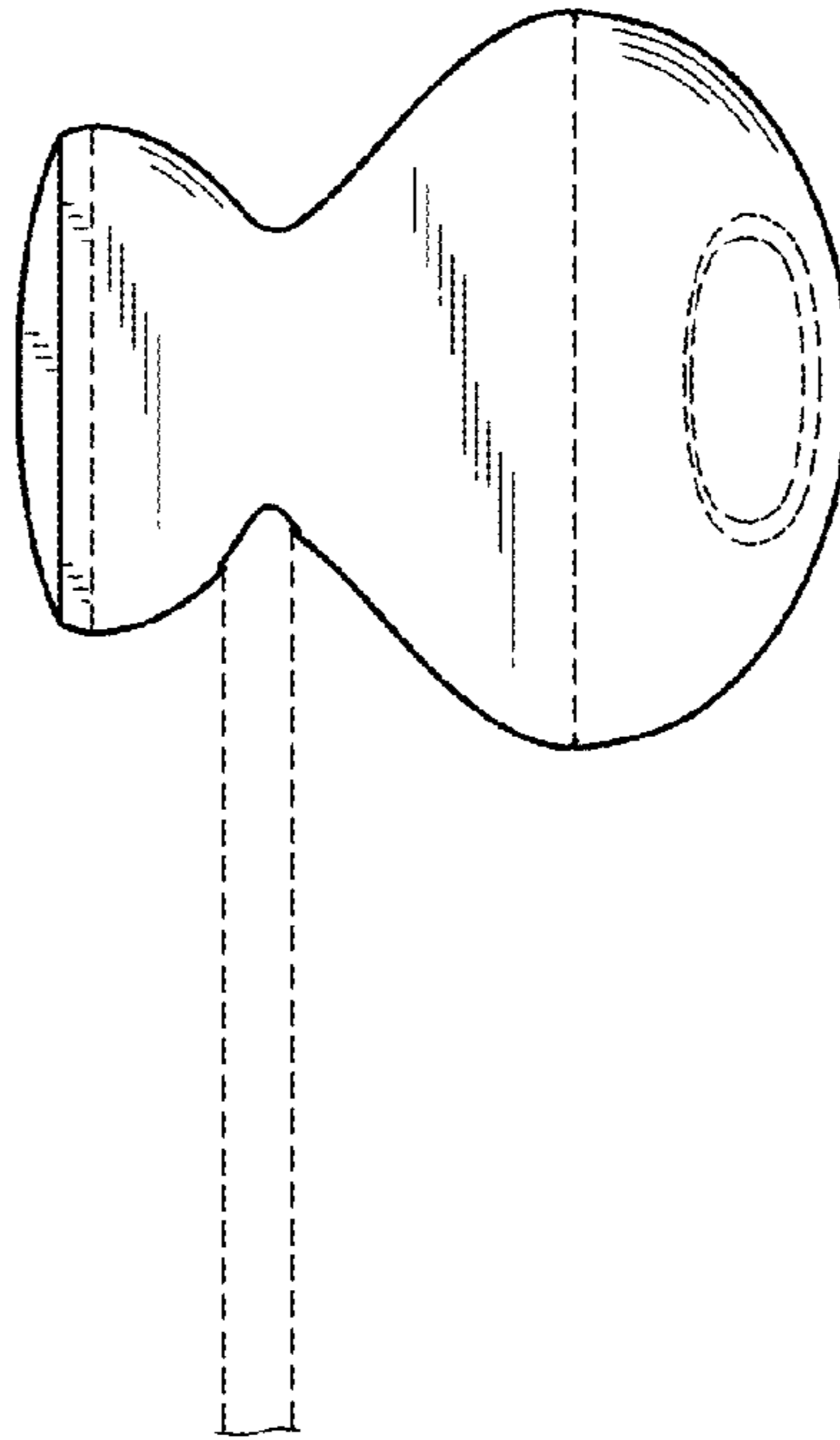


FIG. 4

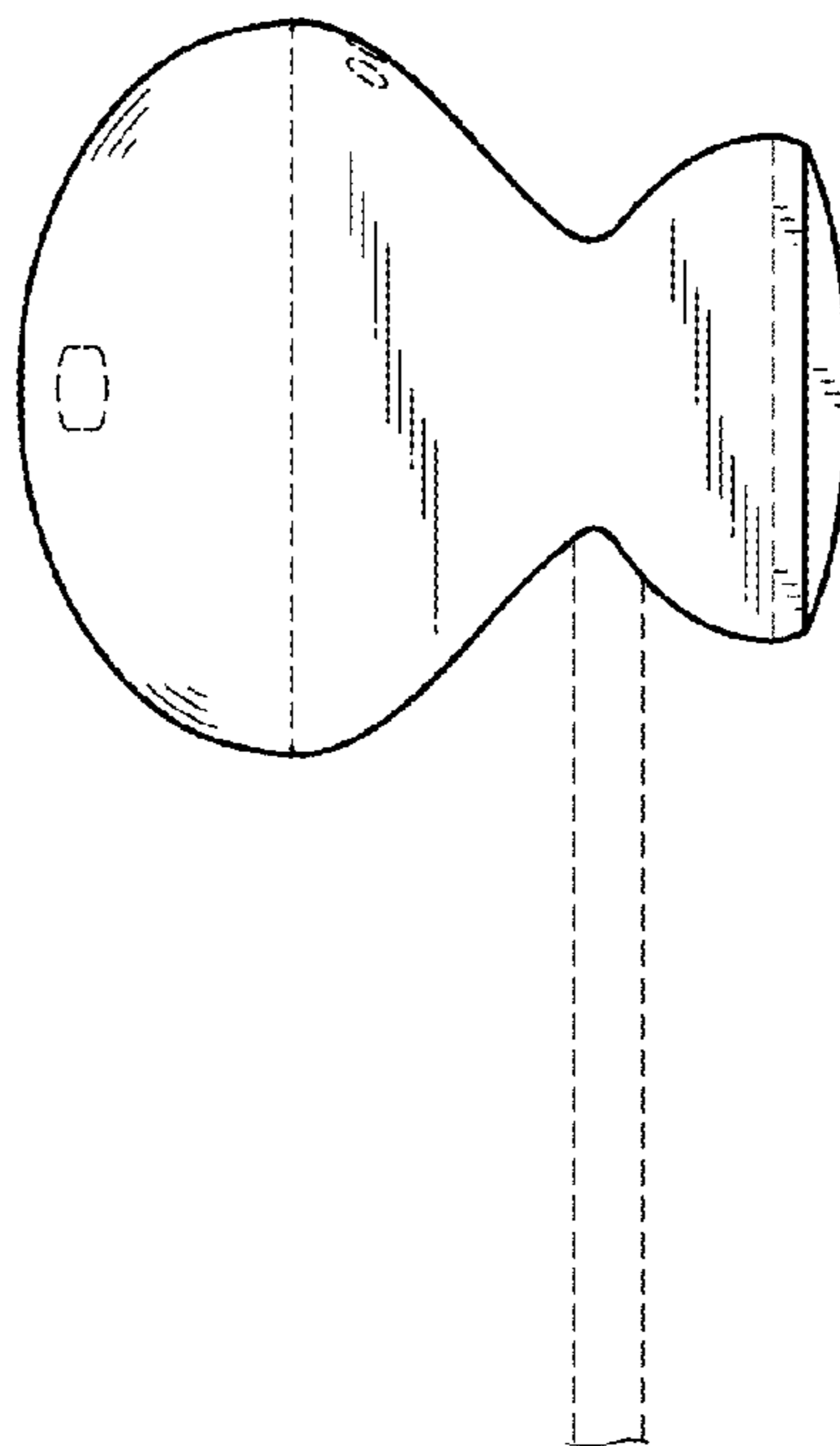


FIG. 5

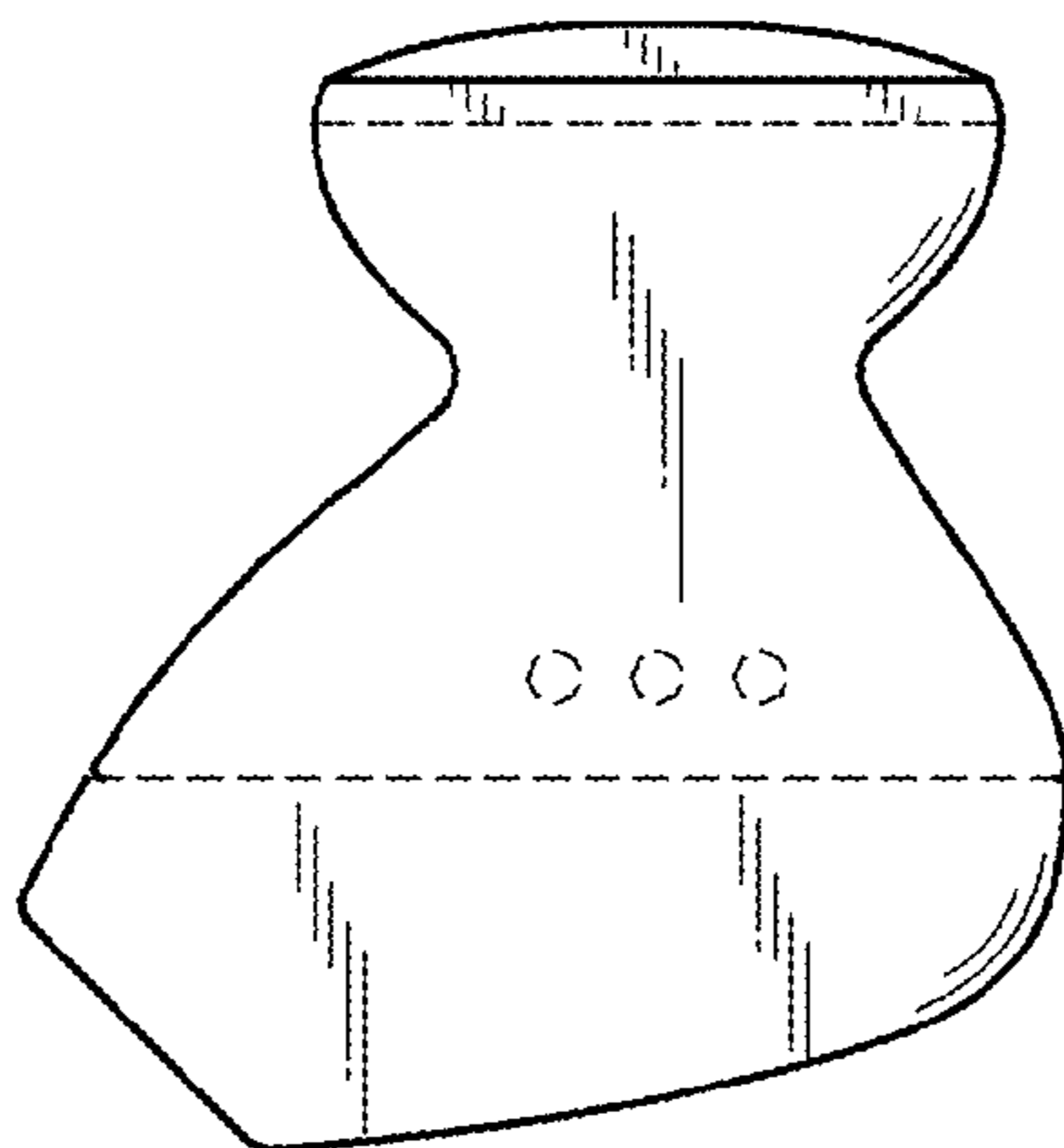


FIG. 6

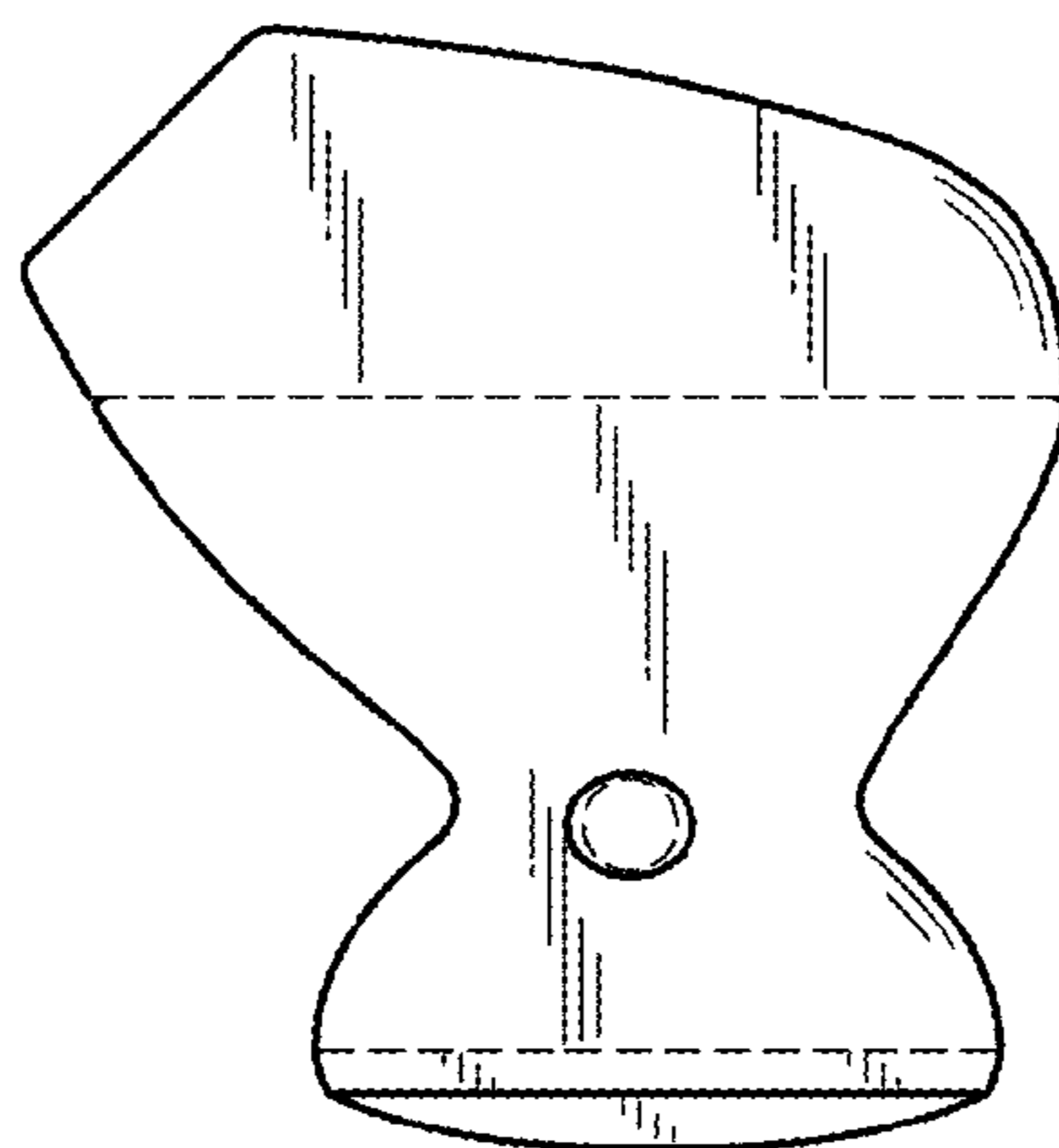


FIG. 7