



US00D715776S

(12) **United States Design Patent**  
**Ang**

(10) **Patent No.:** **US D715,776 S**  
(45) **Date of Patent:** **\*\* Oct. 21, 2014**

(54) **EARPHONE**

(71) Applicant: **Creative Technology Ltd.**, Singapore  
(SG)

(72) Inventor: **Huang Pheng Vince Ang**, Singapore  
(SG)

(73) Assignee: **Creative Technology Ltd**, Singapore  
(SG)

(\*\*) Term: **14 Years**

(21) Appl. No.: **29/460,025**

(22) Filed: **Jul. 6, 2013**

(30) **Foreign Application Priority Data**

Jan. 8, 2013 (SG) ..... D2013/27/F

(51) **LOC (10) Cl.** ..... **14-01**

(52) **U.S. Cl.**  
USPC ..... **D14/223**

(58) **Field of Classification Search**  
CPC ..... H04R 1/10  
USPC ..... D14/223; 181/129, 130, 135; 379/430,  
379/431; 381/380, 381; 455/90.3, 575.2  
See application file for complete search history.

(56) **References Cited**

**U.S. PATENT DOCUMENTS**

D519,108 S *	4/2006	Yang	.....	D14/223
D579,005 S *	10/2008	Wilhelmsen	.....	D14/223
D594,441 S *	6/2009	Lee et al.	.....	D14/205
D600,675 S *	9/2009	Lee et al.	.....	D14/205
D621,389 S *	8/2010	Nagayama et al.	.....	D14/223
D635,558 S *	4/2011	Zheng	.....	D14/223
D637,999 S *	5/2011	Brunner et al.	.....	D14/205

D642,163 S *	7/2011	Lee et al.	.....	D14/223
D643,833 S *	8/2011	Lee et al.	.....	D14/223
D652,822 S *	1/2012	Lee et al.	.....	D14/223
D654,056 S *	2/2012	Hoggarth et al.	.....	D14/223
D666,581 S *	9/2012	Perez	.....	D14/223
D683,332 S *	5/2013	Lee et al.	.....	D14/223
D686,597 S *	7/2013	Lee et al.	.....	D14/223
8,565,467 B1 *	10/2013	Tseng	.....	381/373
D697,058 S *	1/2014	Thompson et al.	.....	D14/223
D698,761 S *	2/2014	Bao	.....	D14/223
D699,226 S *	2/2014	Yoon	.....	D14/223
D701,196 S *	3/2014	Kelly et al.	.....	D14/223
D701,197 S *	3/2014	Kelly et al.	.....	D14/223
2009/0136074 A1 *	5/2009	Chang et al.	.....	381/380
2011/0249856 A1 *	10/2011	Takei	.....	381/380

\* cited by examiner

*Primary Examiner* — Paula Greene

(74) *Attorney, Agent, or Firm* — Russell Swerdon; Desmond Gean

(57) **CLAIM**

The ornamental design for an earphone, substantially as shown and described.

**DESCRIPTION**

FIG. 1 is a front top left side perspective view of an earphone showing our new design, the cord is drawn broken away for indeterminate length;

FIG. 2 is a rear top right side perspective view thereof;

FIG. 3 is a front elevational view thereof;

FIG. 4 is a rear elevational view thereof;

FIG. 5 is a left side elevational view thereof;

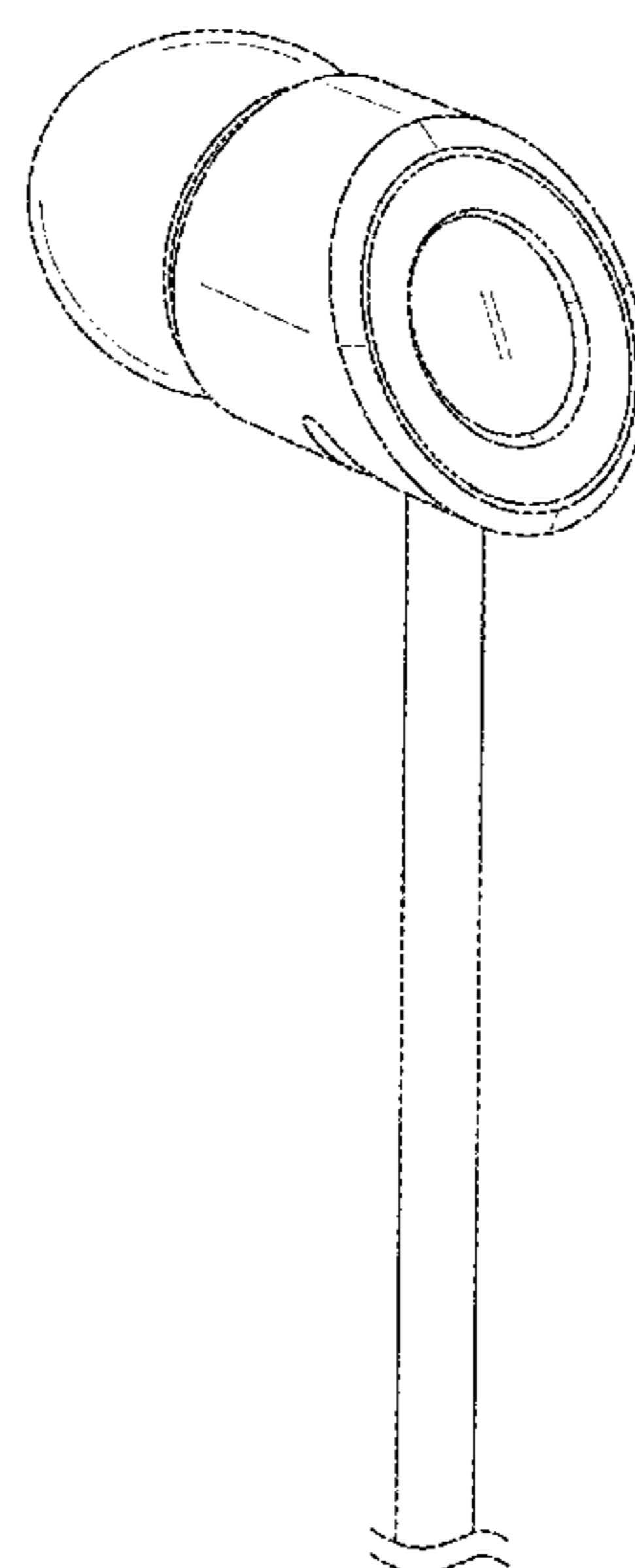
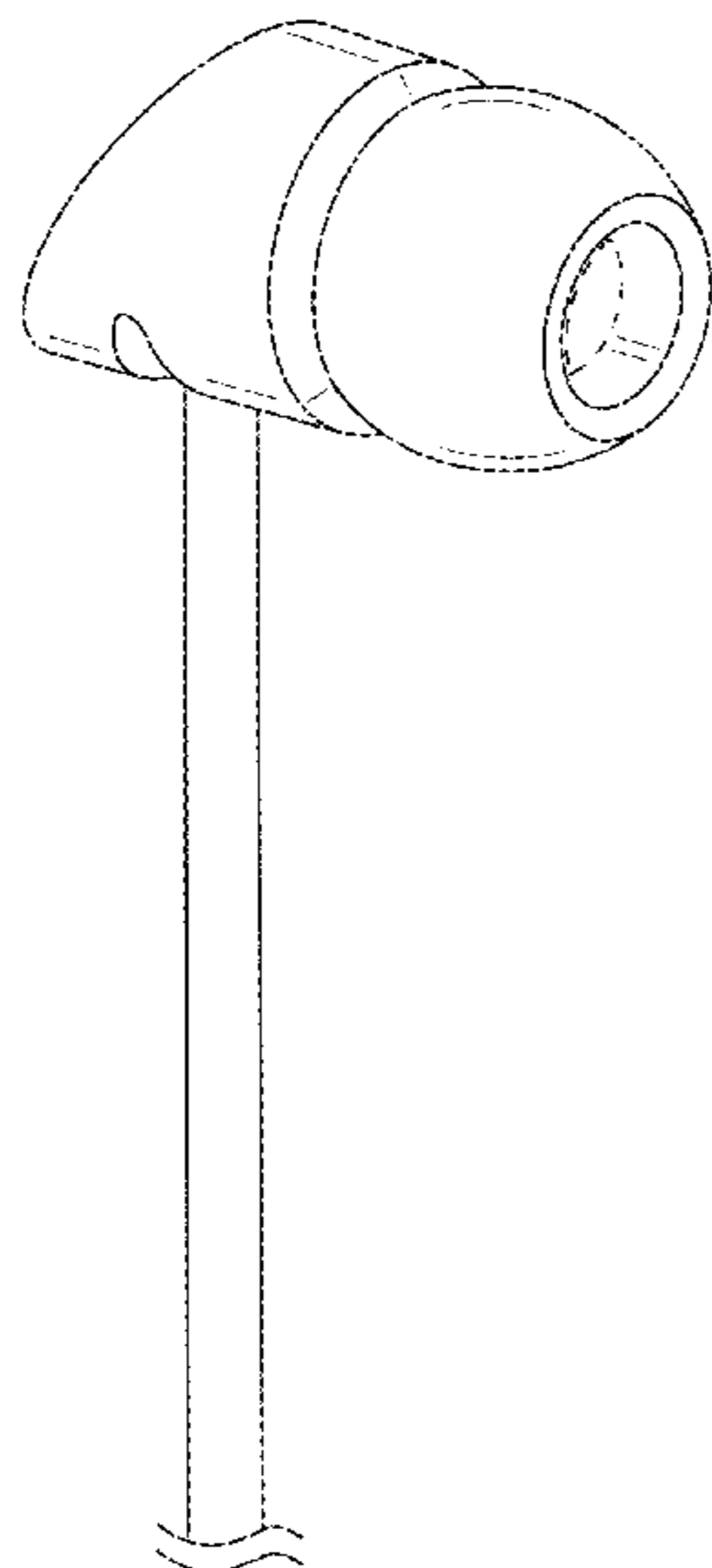
FIG. 6 is a right side elevational view thereof;

FIG. 7 is a top plan view thereof; and,

FIG. 8 is a bottom plan view thereof.

The broken lines form no part of the claimed design.

**1 Claim, 8 Drawing Sheets**



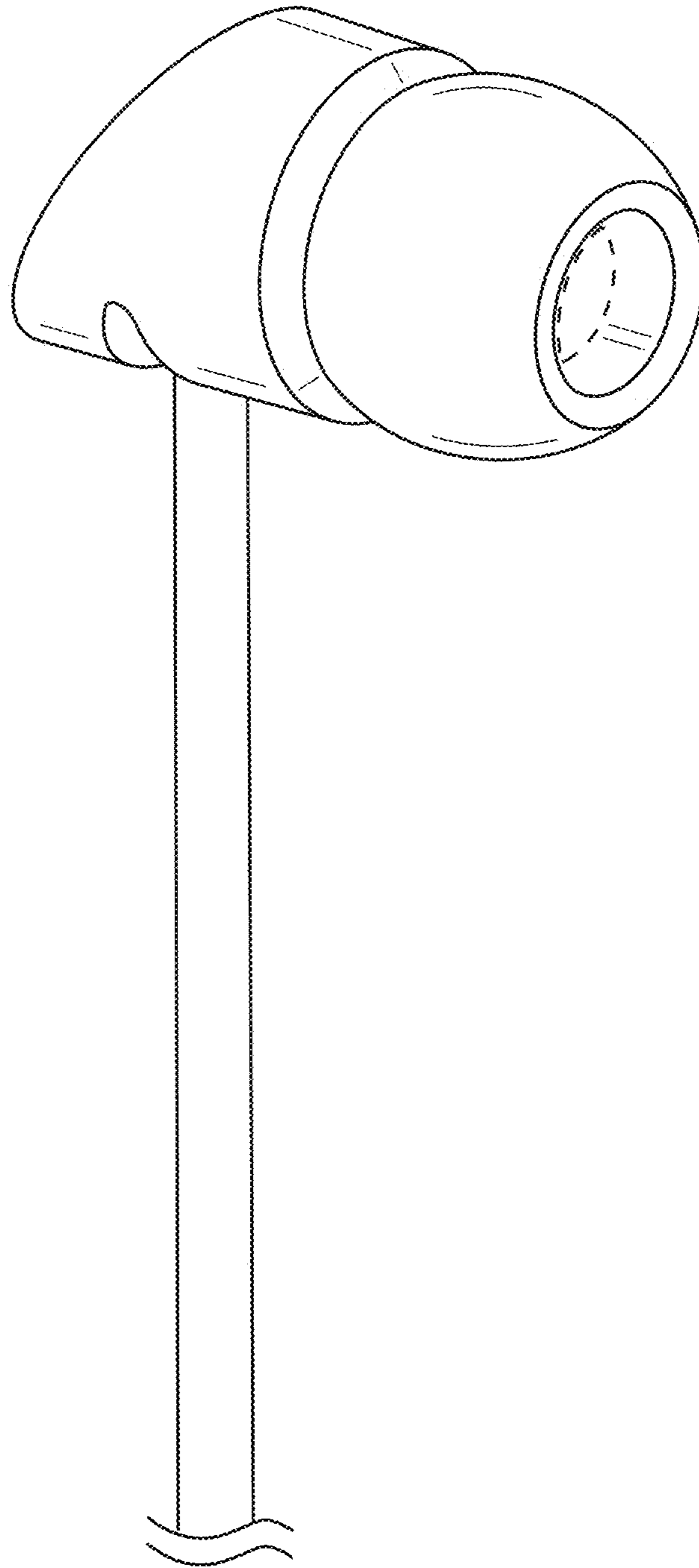


FIG. 1

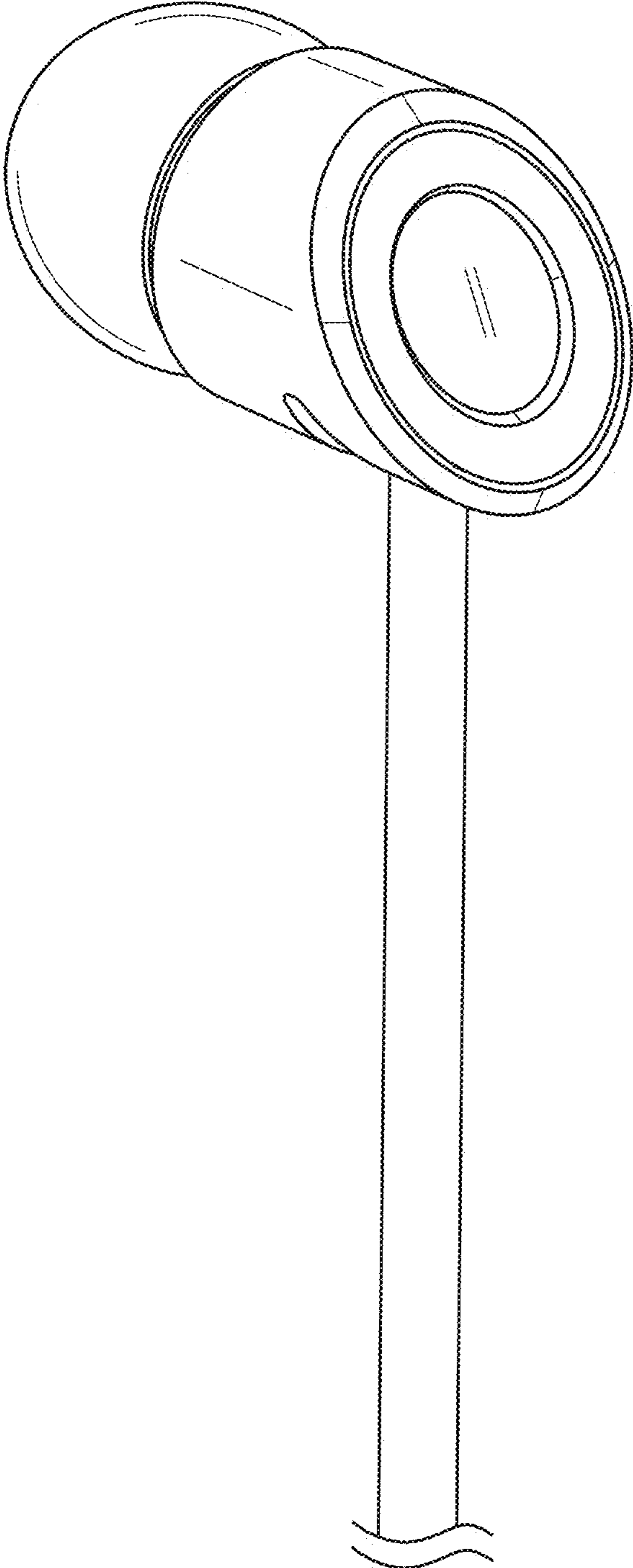


FIG. 2

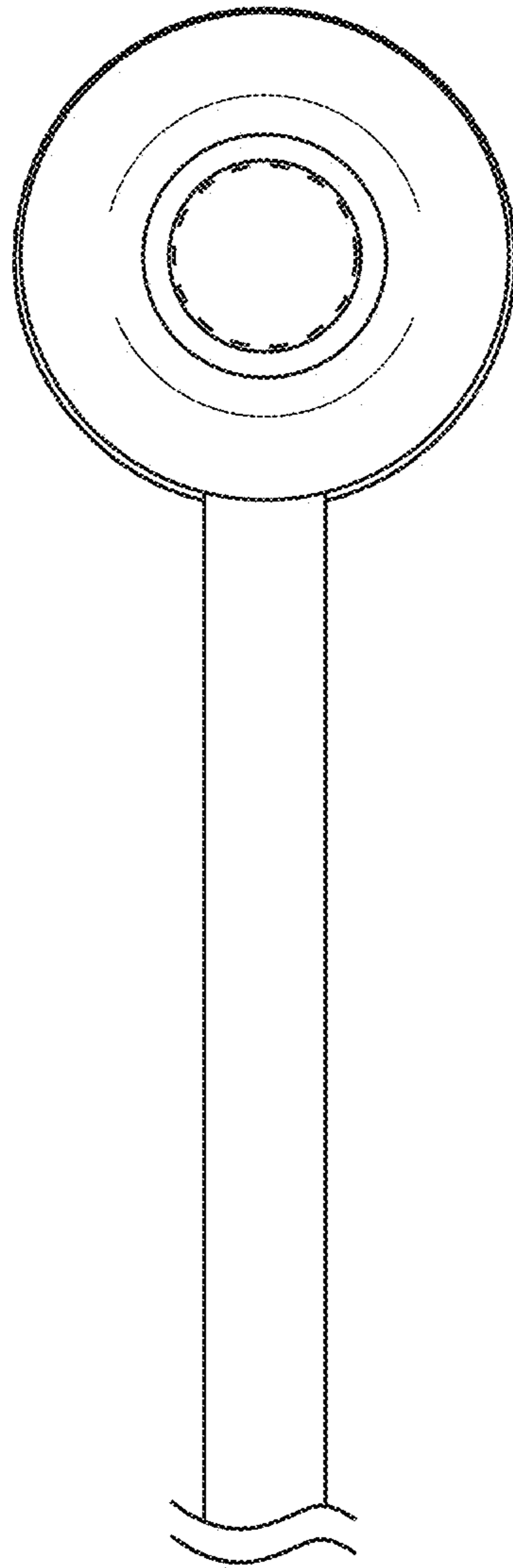


FIG. 3

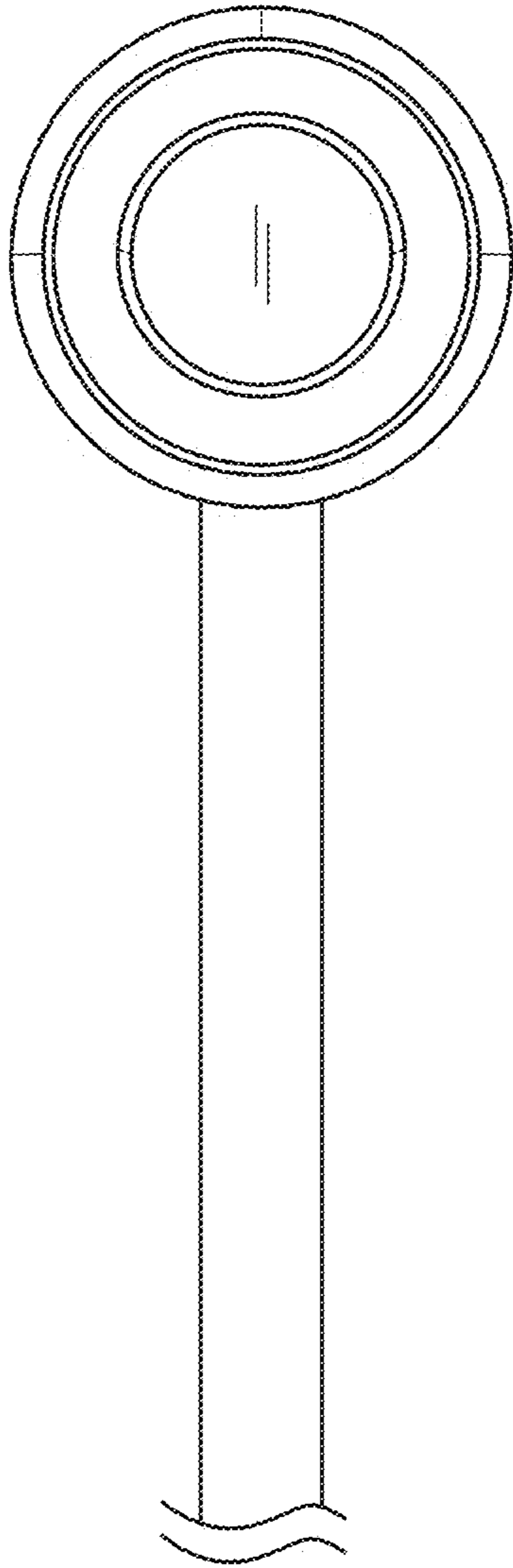


FIG. 4

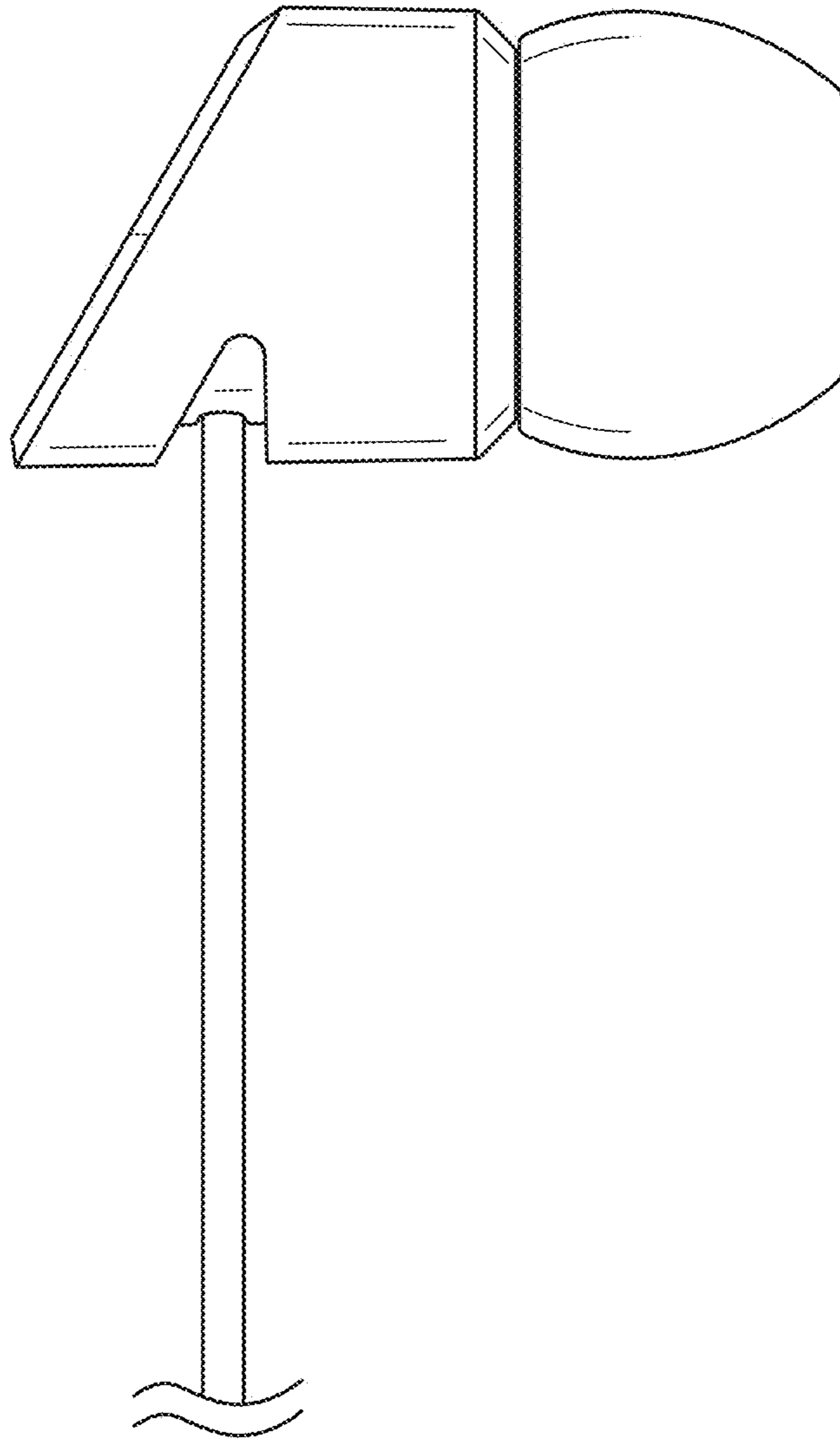


FIG. 5

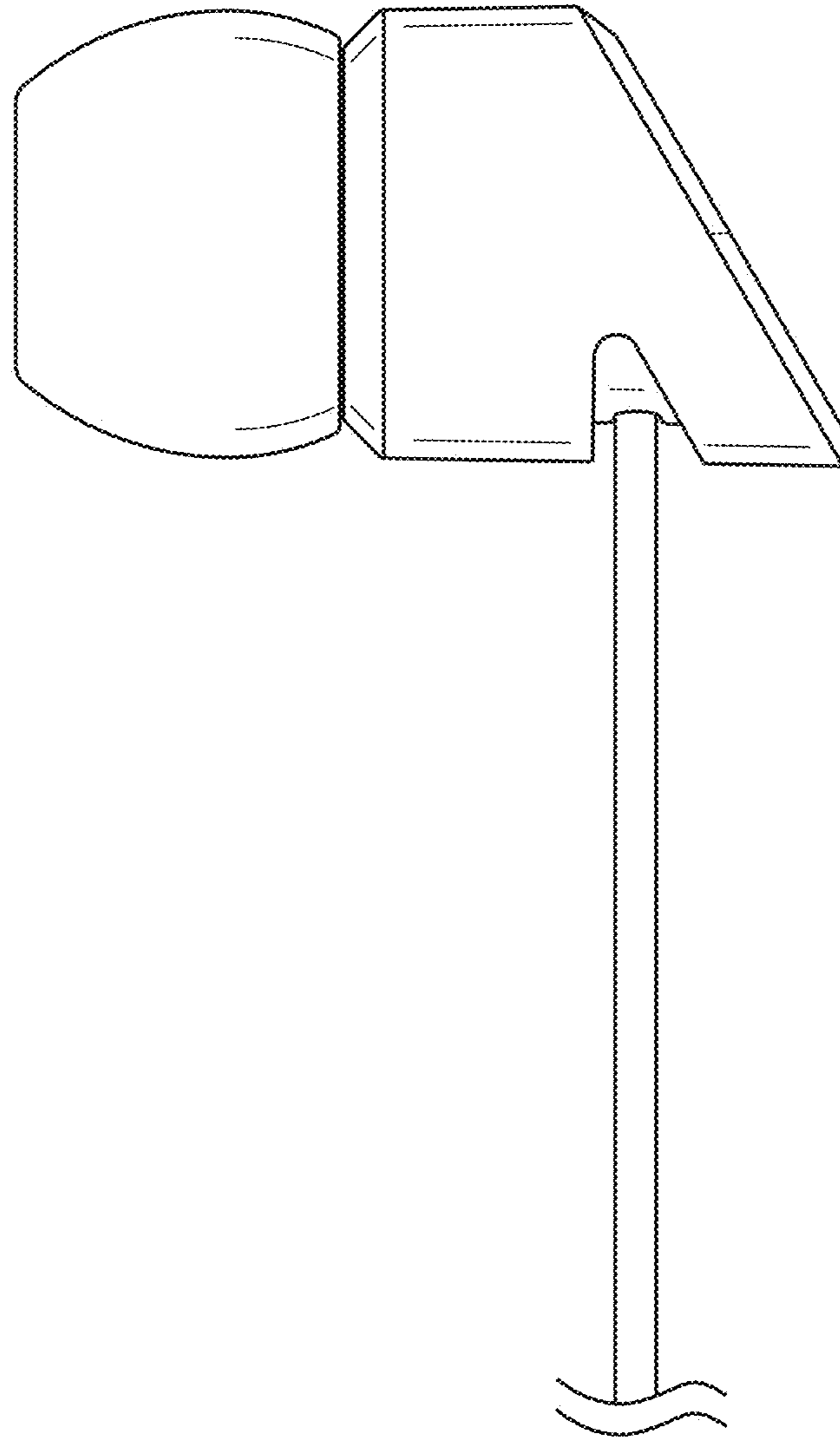


FIG. 6

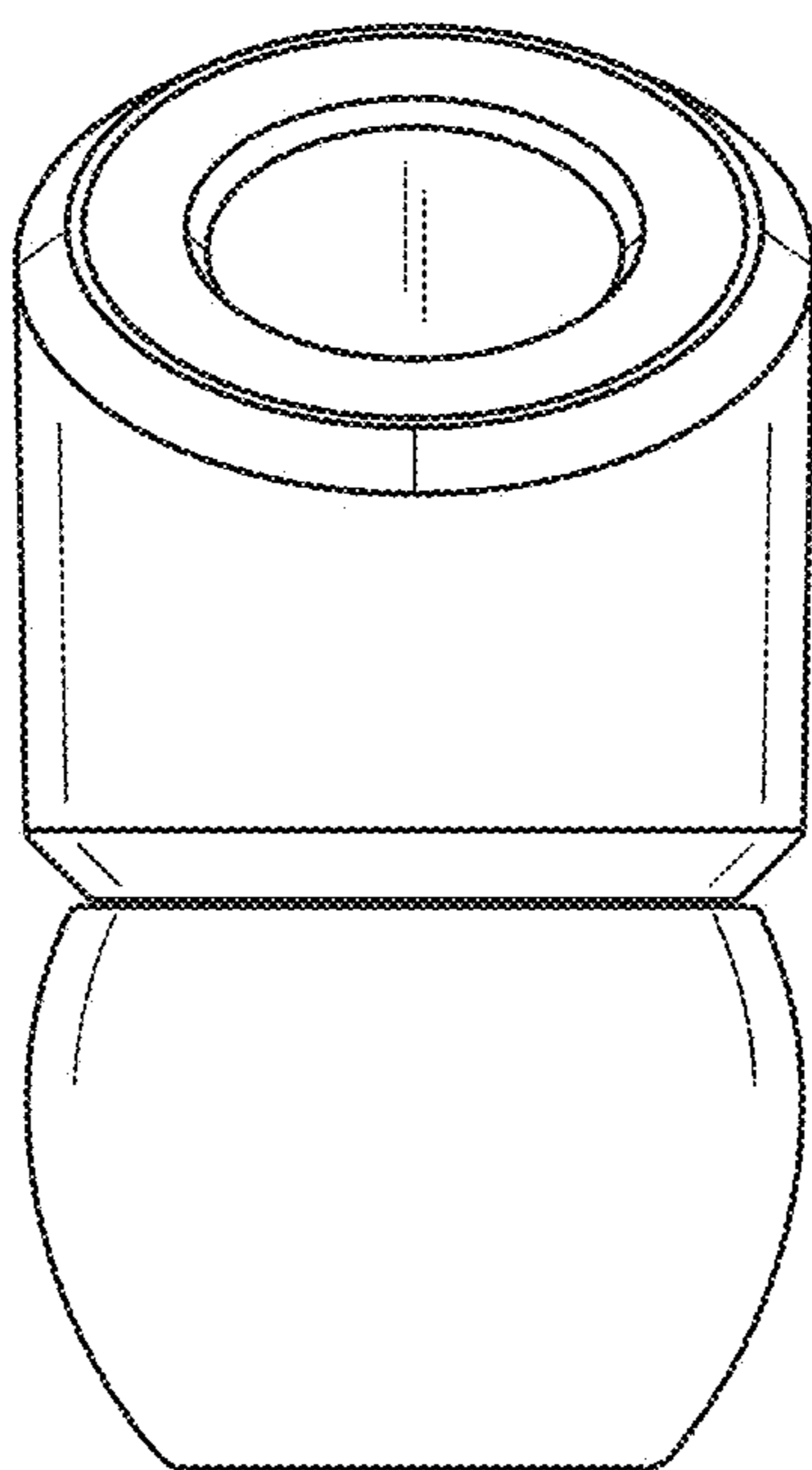


FIG. 7



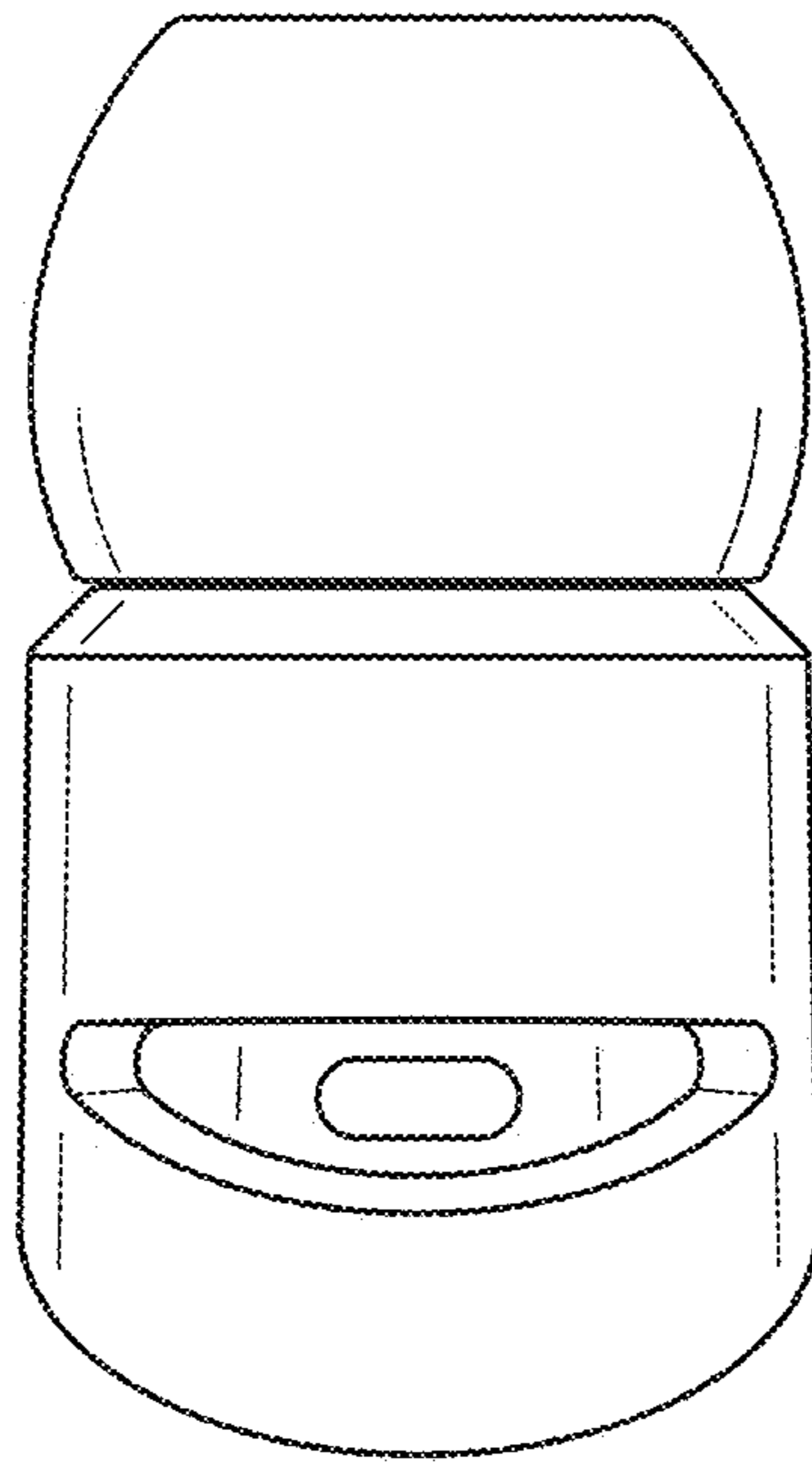


FIG. 8