



US00D715772S

(12) **United States Design Patent**
Kim et al.

(10) **Patent No.:** **US D715,772 S**
(45) **Date of Patent:** **** Oct. 21, 2014**

(54) **REMOTE CONTROLLER**

(71) Applicant: **Samsung Electronics Co., Ltd.**,
Suwon-si (KR)
(72) Inventors: **Yun-Su Kim**, Seoul (KR); **Jung-Hoon Kim**, Seoul (KR); **Jong-Kee Lee**, Seoul (KR); **Ja-Youn Lee**, Seoul (KR); **Hyo-Jin Nam**, Sungnam-Si (KR)
(73) Assignee: **Samsung Electronics Co., Ltd.**,
Suwon-si (KR)

(**) Term: **14 Years**

(21) Appl. No.: **29/464,701**

(22) Filed: **Aug. 20, 2013**

(30) **Foreign Application Priority Data**

Feb. 22, 2013 (KR) 30-2013-0009205

(51) **LOC (10) Cl.** **14-03**

(52) **U.S. Cl.**
USPC **D14/218**; D14/447

(58) **Field of Classification Search**
USPC D14/218, 455; D13/168; D21/566;
D10/104, 106; 345/169; 348/14.05,
348/114, 211.99, 734; 340/825.24; 341/22;
455/92, 95, 128, 151.1-151.4, 352,
455/355, FOR. 121; 700/65
See application file for complete search history.

(56) **References Cited**

U.S. PATENT DOCUMENTS

D484,918 S * 1/2004 Okada et al. D21/330
D589,962 S * 4/2009 Maruyama et al. D14/432
D642,121 S * 7/2011 Lee et al. D13/108

D642,520 S * 8/2011 Chun et al. D13/108
D656,555 S * 3/2012 Zenri et al. D21/333
D657,741 S * 4/2012 Fahrendorff et al. D13/108
D666,145 S * 8/2012 Kim et al. D13/108
D668,662 S * 10/2012 Suiter D14/447
D676,832 S * 2/2013 Akana et al. D14/217
D685,322 S * 7/2013 Szymanski et al. D13/108
D688,623 S * 8/2013 Carreon et al. D13/107
D692,009 S * 10/2013 Ashida et al. D14/447
D692,437 S * 10/2013 Sugino et al. D14/447
D696,258 S * 12/2013 Padilla D14/447
D699,246 S * 2/2014 Ringlein D14/447
D703,677 S * 4/2014 Bigazzi et al. D14/447
D705,158 S * 5/2014 Gengler D13/107
D705,722 S * 5/2014 Gengler D13/107

* cited by examiner

Primary Examiner — John Windmuller

(74) *Attorney, Agent, or Firm* — NSIP Law

(57) **CLAIM**

The ornamental design for a remote controller, as shown and described.

DESCRIPTION

FIG. 1 is a front perspective view of a remote controller showing our new design;
FIG. 2 is a front view thereof;
FIG. 3 is a rear view thereof;
FIG. 4 is a left-side view thereof;
FIG. 5 is a right-side view thereof;
FIG. 6 is a top view thereof;
FIG. 7 is a bottom view thereof;
FIG. 8 is a rear perspective view thereof; and,
FIG. 9 is another front perspective view in which a mobile terminal in broken line is provided to illustrate an example environment.
The broken lines are for environmental purposes only and form no part of the claimed design.

1 Claim, 7 Drawing Sheets

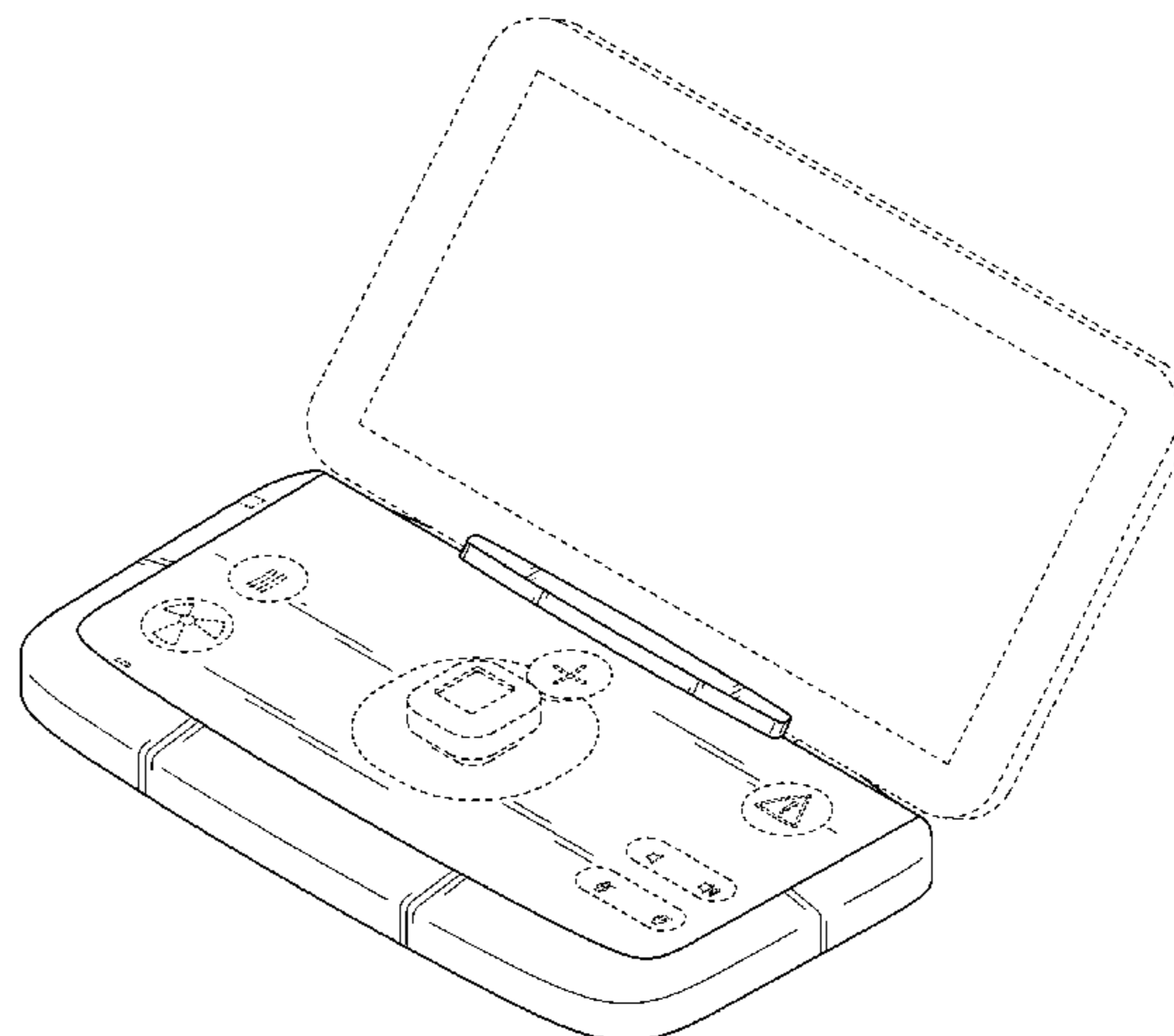
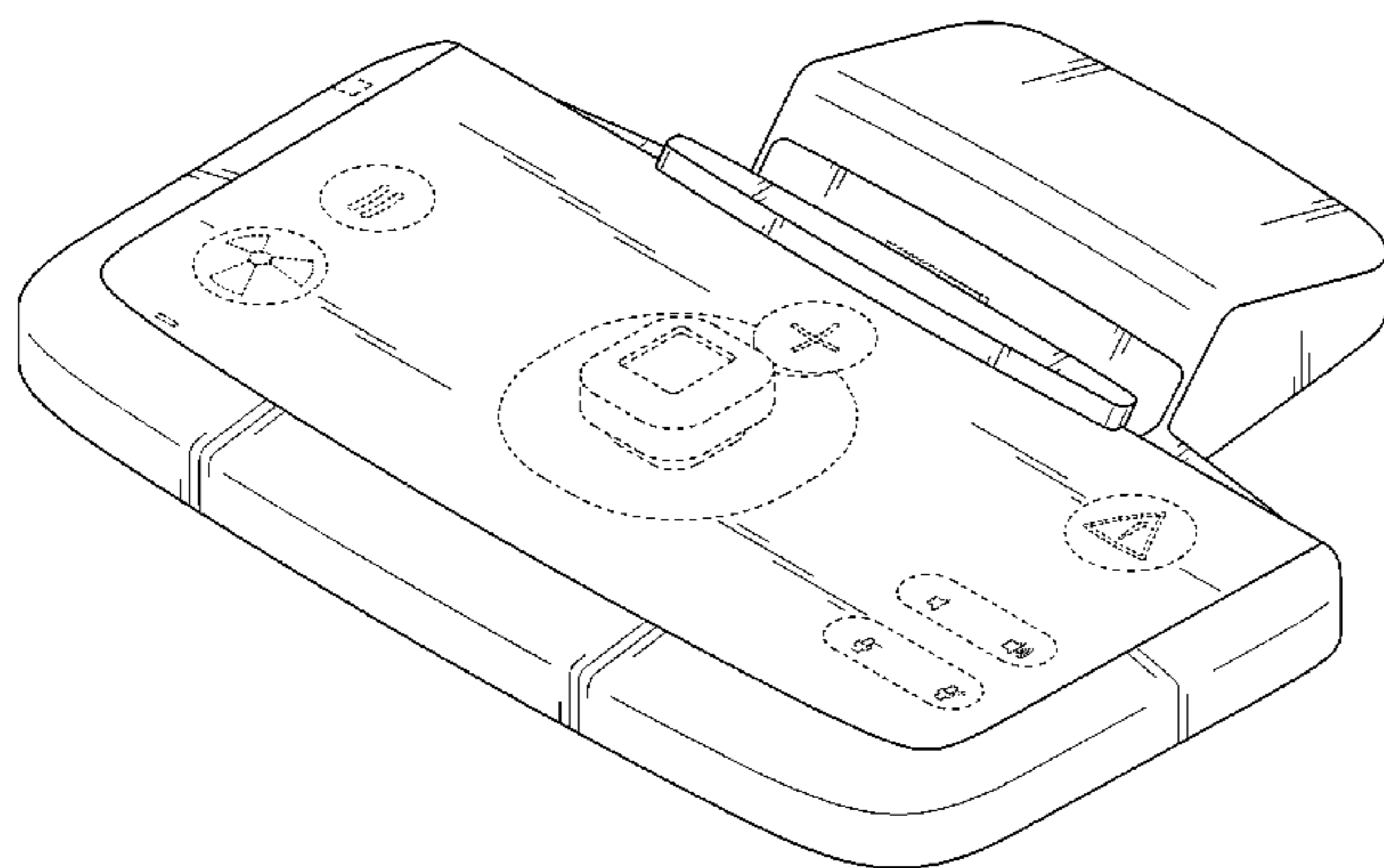


FIG. 1

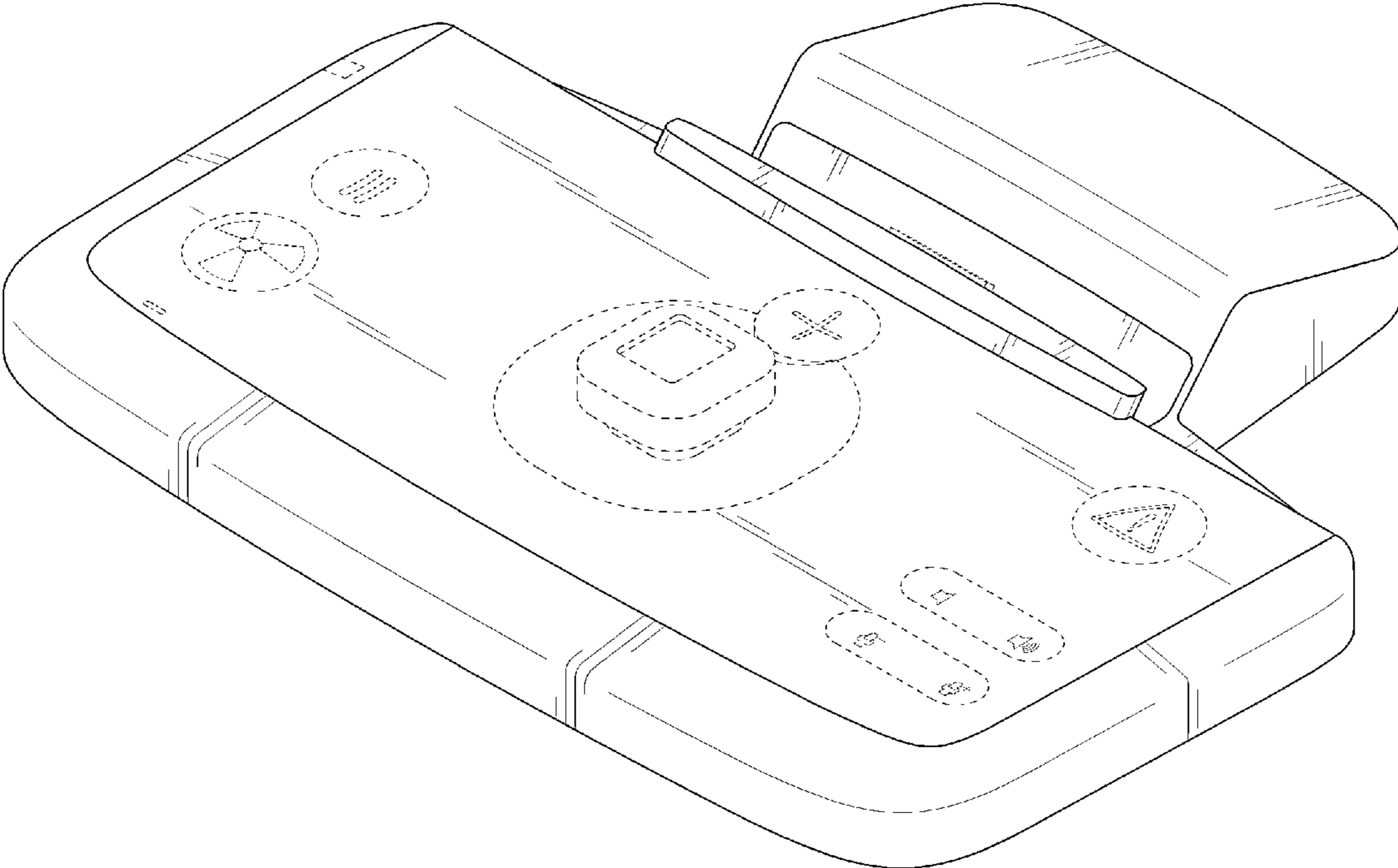


FIG. 2

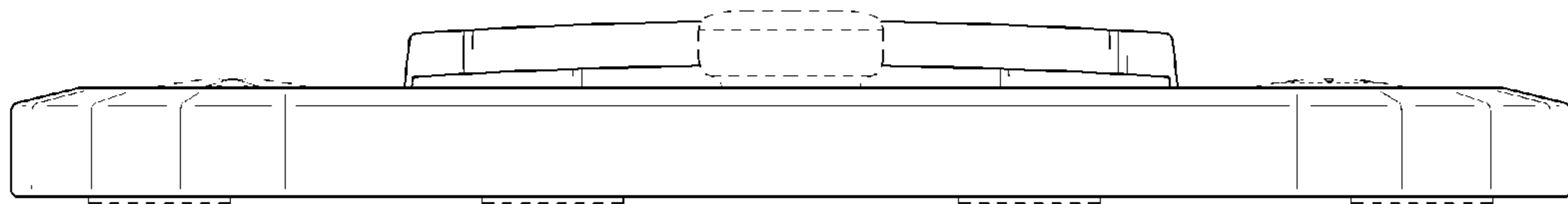


FIG. 3

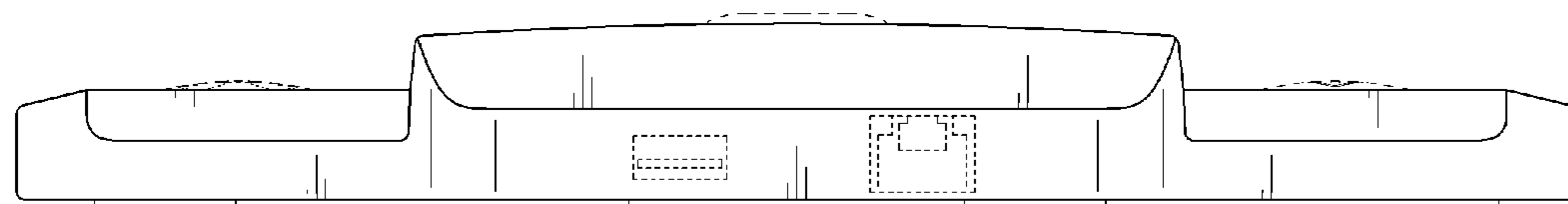


FIG. 4

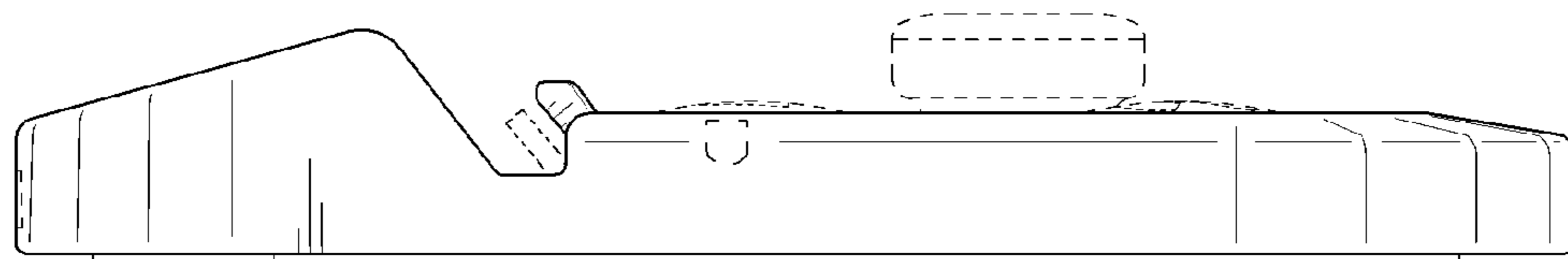


FIG. 5

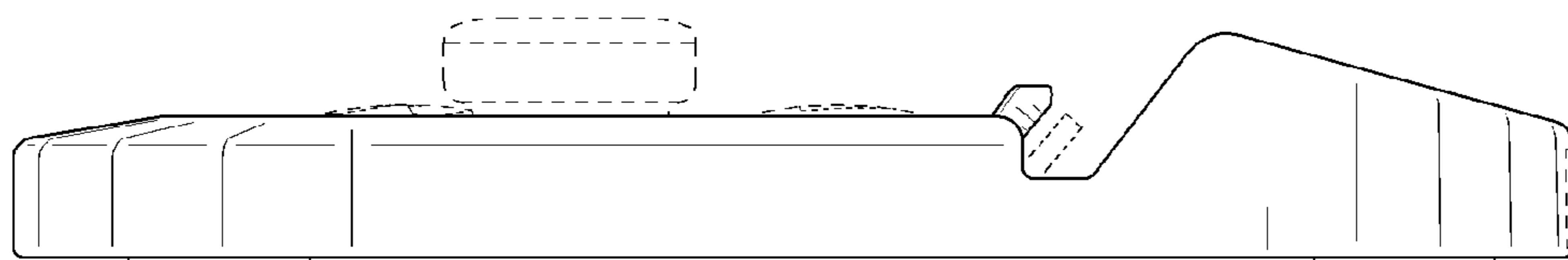


FIG. 6

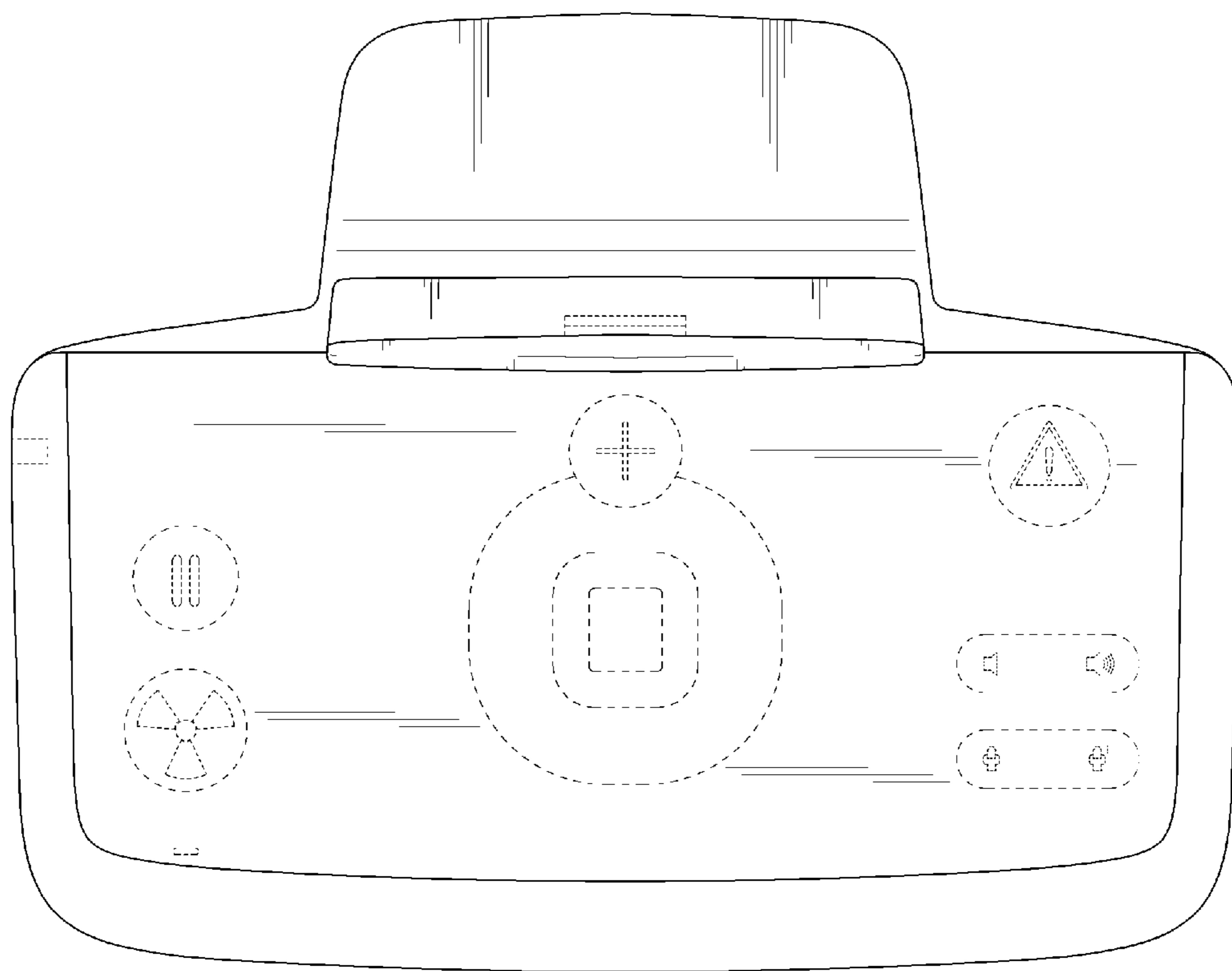


FIG. 7

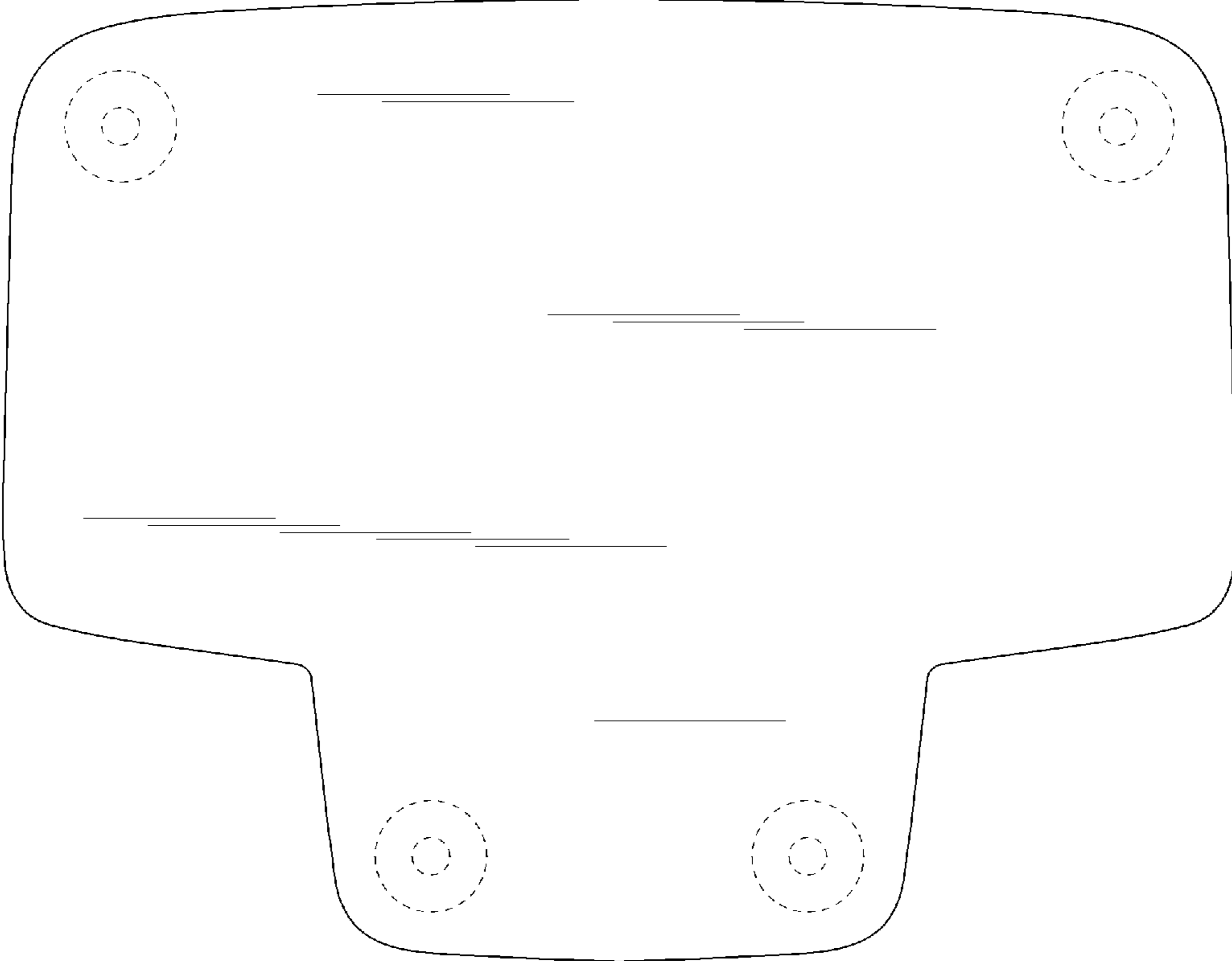


FIG. 8

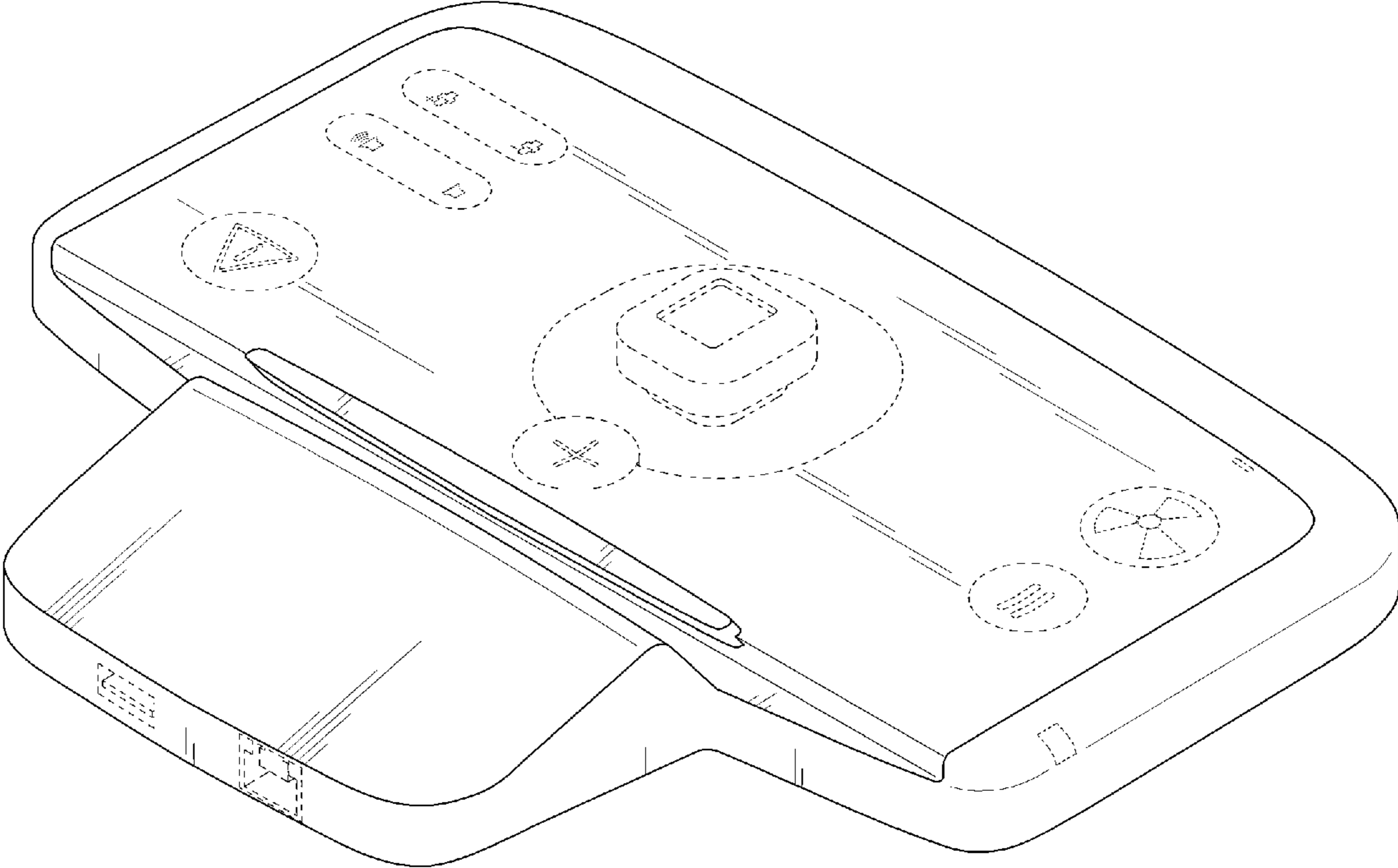


FIG. 9

