



US00D715770S

(12) **United States Design Patent**  
**McManigal**

(10) **Patent No.:** **US D715,770 S**

(45) **Date of Patent:** **\*\* Oct. 21, 2014**

(54) **CURVED SOUNDBAR**

(71) Applicant: **Scott Paul McManigal**, Newport Beach, CA (US)

(72) Inventor: **Scott Paul McManigal**, Newport Beach, CA (US)

(73) Assignee: **Vizio Inc.**, Irvine, CA (US)

(\*\*) Term: **14 Years**

(21) Appl. No.: **29/452,229**

(22) Filed: **Apr. 13, 2013**

(51) **LOC (10) Cl.** ..... **14-03**

(52) **U.S. Cl.**  
USPC ..... **D14/214**

(58) **Field of Classification Search**  
CPC .... B60R 11/0217; H04M 1/03; H04M 1/035; H04N 5/642; H04N 21/4852; H04R 1/02; H04R 1/06; H04R 1/021; H04R 1/025; H04R 1/026; H04R 1/028; H04R 1/105; H04R 1/323; H04R 1/403; H04R 1/2803; H04R 1/2834; H04R 5/02; H04R 7/20; H04R 9/06; H04R 9/025; H04R 2201/021; H04R 2400/00; H04R 2400/07; H04R 2499/11; H04R 2499/13; H04R 2499/15; H04S 3/00; H04S 7/30; G06F 1/1688  
USPC ..... D14/167, 168, 170–172, 188, 194–196, D14/204, 207, 209.1, 210–216, 221, 222, D14/224; 181/143, 144, 147, 148, 150, 153, 181/157, 198, 199; 381/300–303, 306, 332, 381/333, 336, 345, 361–364, 386–388; 369/6–12

See application file for complete search history.

(56) **References Cited**

U.S. PATENT DOCUMENTS

|              |         |                      |         |
|--------------|---------|----------------------|---------|
| D478,891 S * | 8/2003  | Hisatsune .....      | D14/211 |
| D545,811 S * | 7/2007  | Yamamoto et al. .... | D14/211 |
| D547,748 S * | 7/2007  | Tsuge .....          | D14/211 |
| D558,736 S * | 1/2008  | Kita .....           | D14/214 |
| D659,677 S * | 5/2012  | Kim et al. ....      | D14/214 |
| D669,884 S * | 10/2012 | Hou .....            | D14/214 |
| D684,561 S * | 6/2013  | Ni .....             | D14/214 |
| D703,194 S * | 4/2014  | Jacobs et al. ....   | D14/225 |

\* cited by examiner

*Primary Examiner* — Keli L Hill

(74) *Attorney, Agent, or Firm* — Law Office of Scott C. Harris, Inc.

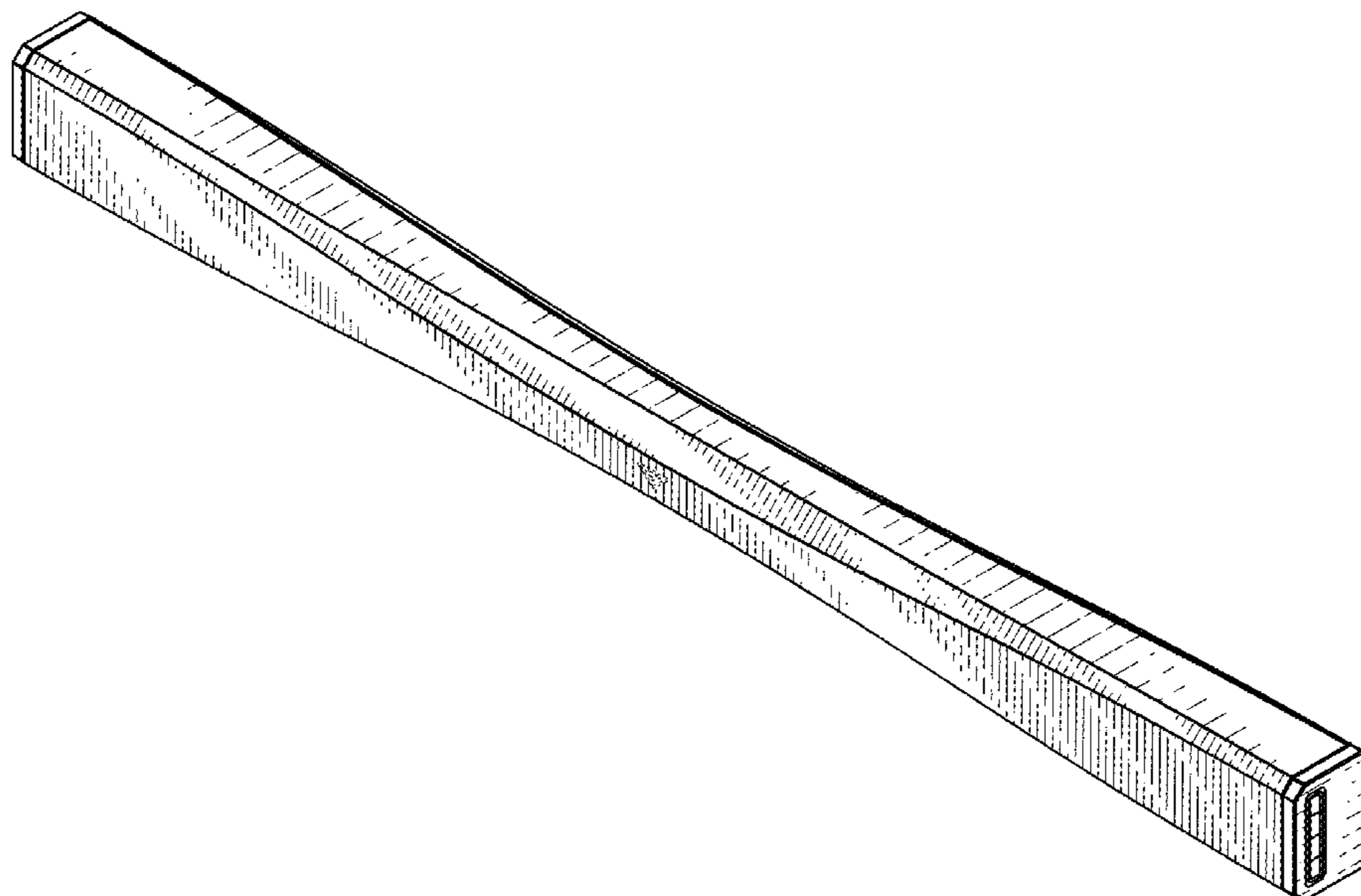
(57) **CLAIM**

I claim the ornamental design for a curved soundbar, as shown and described.

**DESCRIPTION**

FIG. 1 is a front perspective view of the curved soundbar; FIG. 2 is a front view of the curved soundbar; FIG. 3 shows a rear view of the curved soundbar; FIG. 4 shows a first side-on view of the curved soundbar; FIG. 5 shows a second side-on view of the curved soundbar; FIG. 6 shows a top view of the curved soundbar; and, FIG. 7 shows a bottom view of the curved soundbar. The broken lines shown are included for the purpose of illustrating portions of the curved soundbar that form no part of the claim.

**1 Claim, 3 Drawing Sheets**



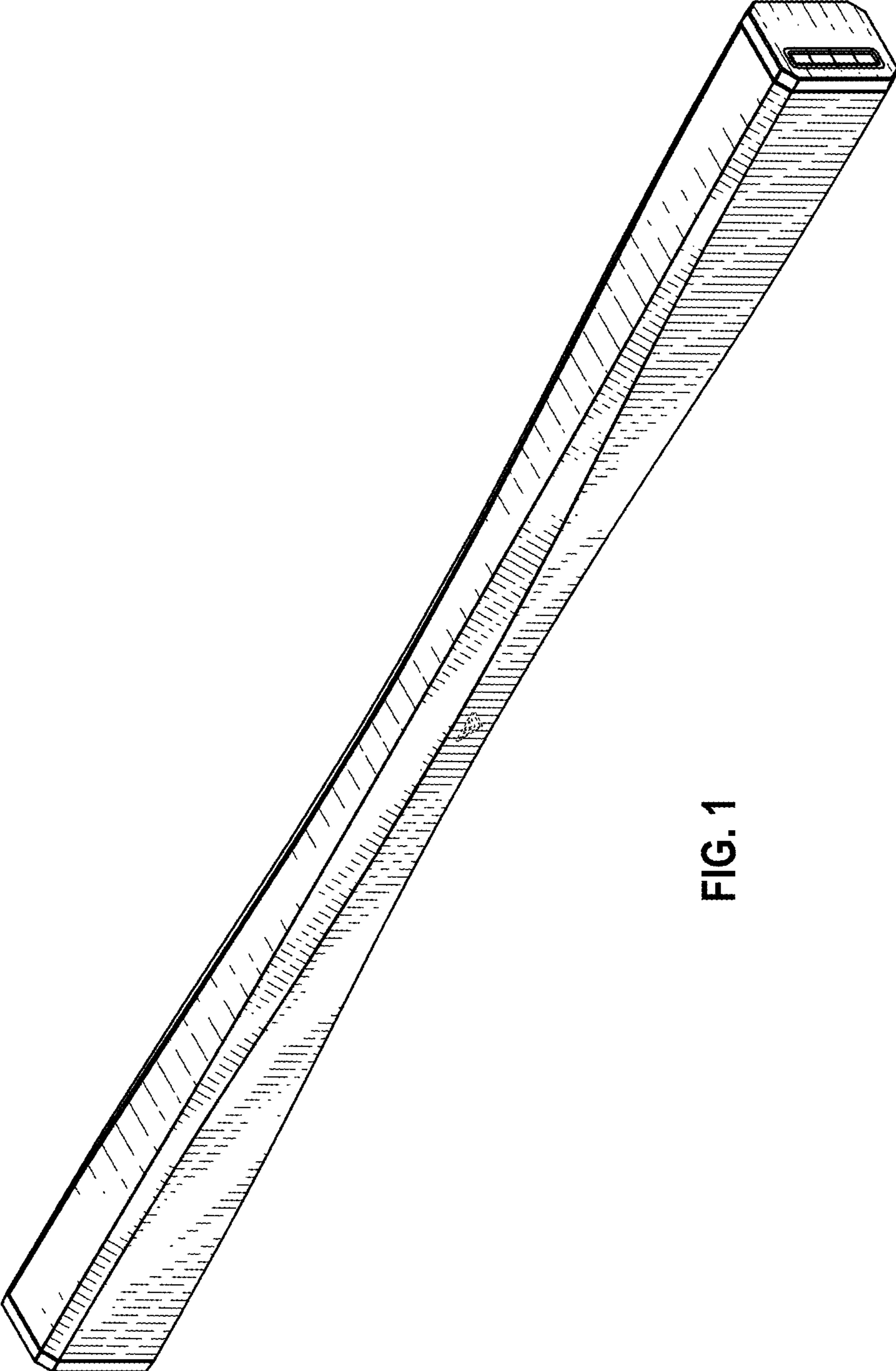


FIG. 1

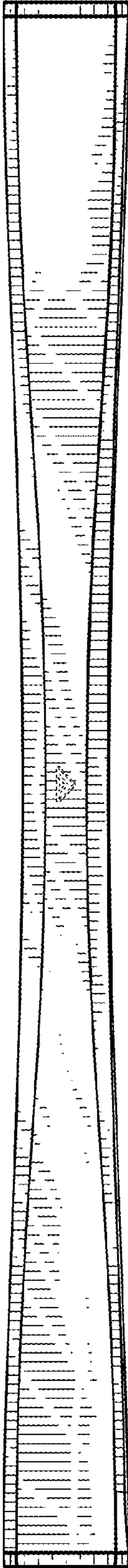


FIG. 2

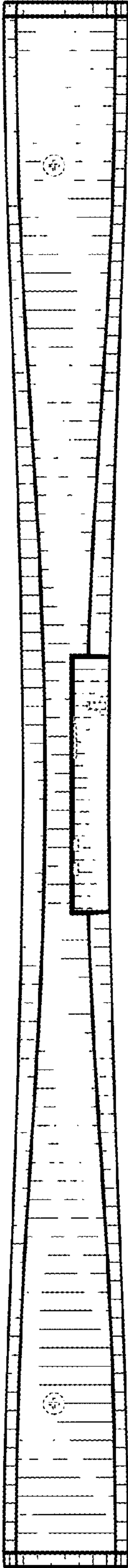


FIG. 3

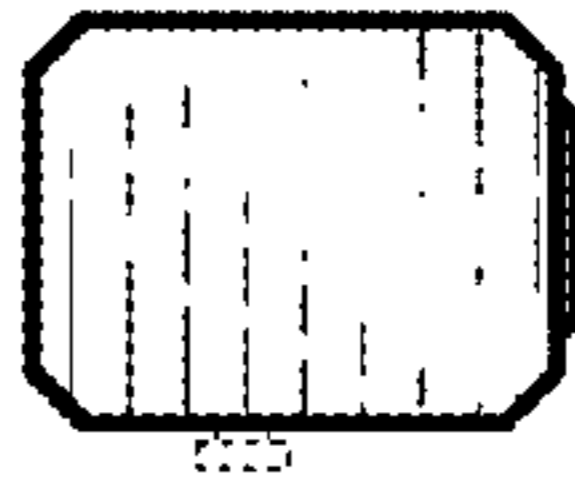


FIG. 5

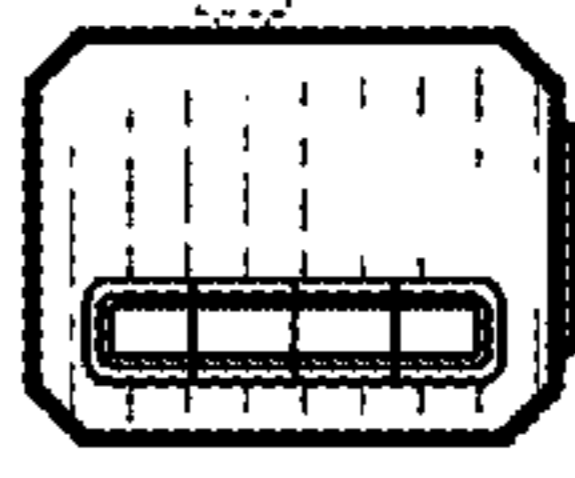


FIG. 4

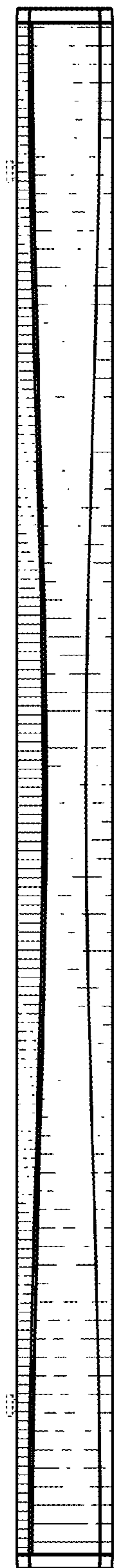


FIG. 6

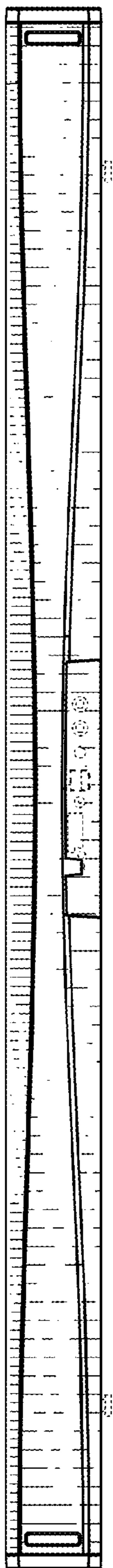


FIG. 7