



US00D715769S

(12) **United States Design Patent**
McManigal

(10) **Patent No.:** **US D715,769 S**

(45) **Date of Patent:** **** Oct. 21, 2014**

(54) **SOUNDBAR**

(71) Applicant: **Scott Paul McManigal**, Newport Beach, CA (US)

(72) Inventor: **Scott Paul McManigal**, Newport Beach, CA (US)

(73) Assignee: **Vizio Inc.**, Irvine, CA (US)

(**) Term: **14 Years**

(21) Appl. No.: **29/451,855**

(22) Filed: **Apr. 9, 2013**

(51) **LOC (10) Cl.** **14-03**

(52) **U.S. Cl.**
USPC **D14/214**

(58) **Field of Classification Search**

CPC B60R 11/0217; H04M 1/03; H04M 1/035;
H04N 5/642; H04N 21/4852; H04R 1/02;
H04R 1/06; H04R 1/021; H04R 1/025;
H04R 1/026; H04R 1/028; H04R 1/105;
H04R 1/323; H04R 1/403; H04R 1/2803;
H04R 1/2834; H04R 5/02; H04R 7/20;
H04R 9/06; H04R 9/025; H04R 2201/021;
H04R 2400/00; H04R 2400/07; H04R
2499/11; H04R 2499/13; H04R 2499/15;
H04S 3/00; H04S 7/30; G06F 1/1688
USPC D14/167, 168, 170–172, 188, 194–196,
D14/204, 207, 209.1, 210–216, 221, 222,
D14/224; 181/143, 144, 147, 148, 150, 153,
181/157, 198, 199; 381/300–303, 306, 332,
381/333, 336, 345, 361–364, 386–388;
369/6–12

See application file for complete search history.

(56) **References Cited**

U.S. PATENT DOCUMENTS

D629,388 S *	12/2010	Son et al.	D14/214
D638,820 S *	5/2011	Hotta	D14/214
D638,823 S *	5/2011	Schindler	D14/214
D645,449 S *	9/2011	Kusuki	D14/214
D654,907 S *	2/2012	McManigal	D14/214
D655,274 S *	3/2012	McManigal	D14/214
D655,690 S *	3/2012	Yagi	D14/214
D659,677 S *	5/2012	Kim et al.	D14/214
D669,884 S *	10/2012	Hou	D14/214
D676,829 S *	2/2013	Kaneko	D14/209.1
D681,607 S *	5/2013	Nishii	D14/214
D685,349 S *	7/2013	Ohno et al.	D14/221
D692,858 S *	11/2013	Millora et al.	D14/214

* cited by examiner

Primary Examiner — Keli L Hill

(74) *Attorney, Agent, or Firm* — Law Office of Scott C. Harris, Inc.

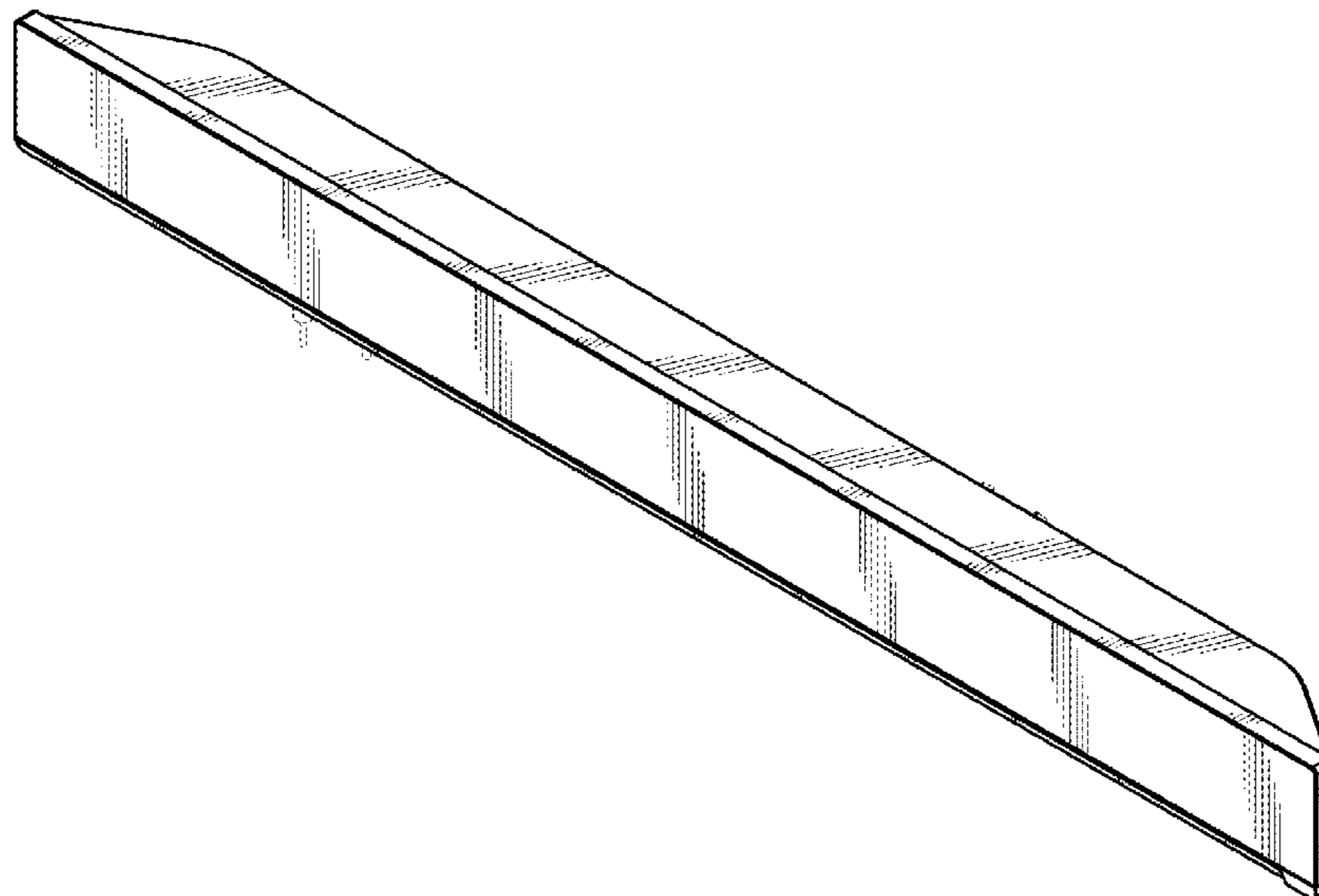
(57) **CLAIM**

I claim the ornamental design for a soundbar, as shown and described.

DESCRIPTION

FIG. 1 is a front perspective view of the soundbar;
FIG. 2 is a front-on view of the soundbar;
FIG. 3 shows a rear view of the soundbar;
FIG. 4 shows a first side-on view of the soundbar;
FIG. 5 shows a second side-on view of the soundbar;
FIG. 6 shows a top view of the soundbar; and,
FIG. 7 shows a bottom view of the soundbar.
The broken lines shown are included for the purpose of illustrating portions of the soundbar that form no part of the claim.

1 Claim, 4 Drawing Sheets



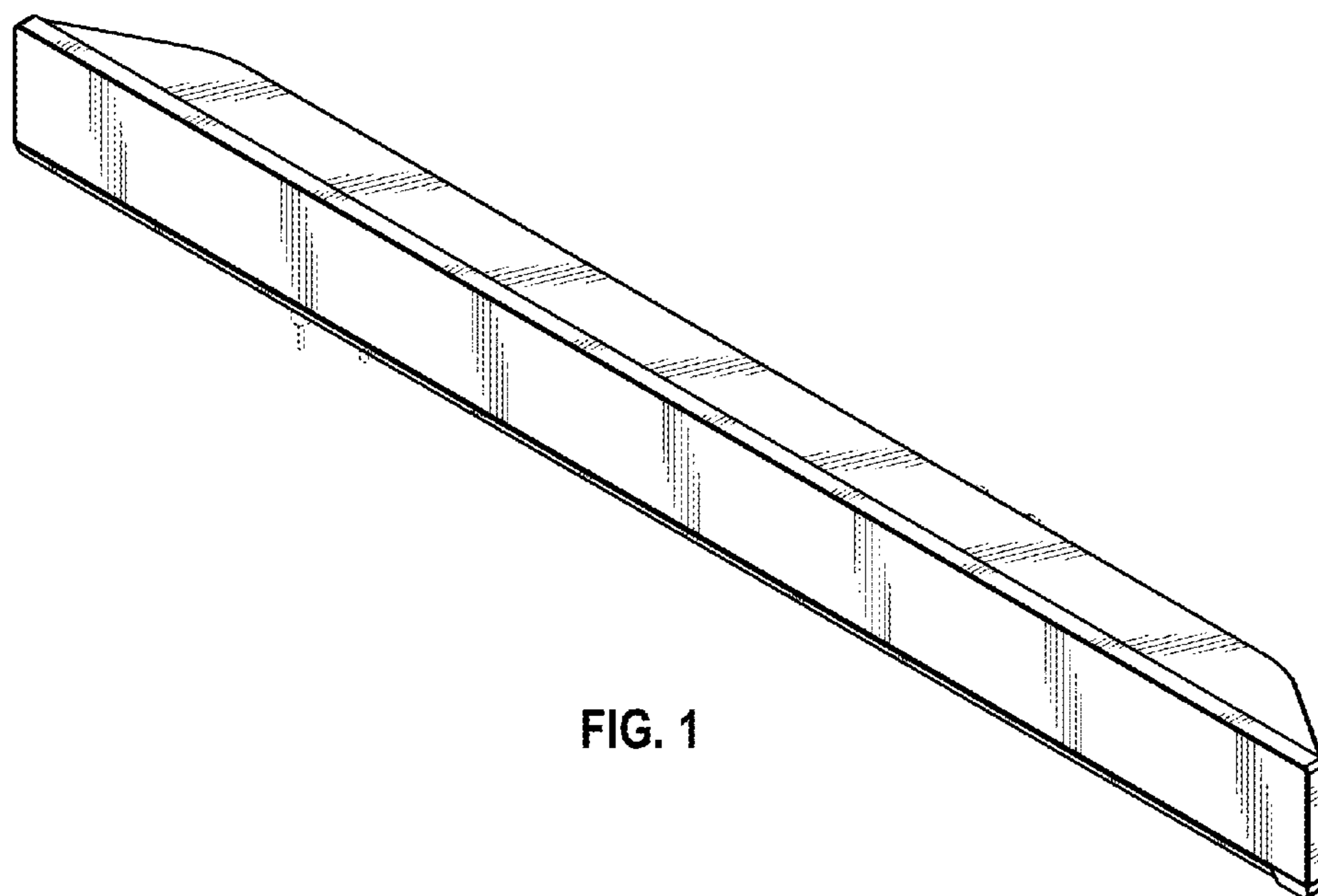


FIG. 1

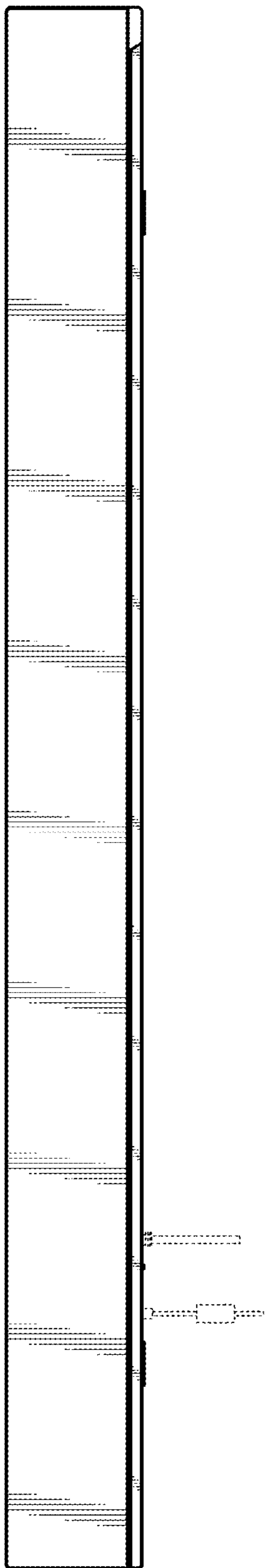


FIG. 2

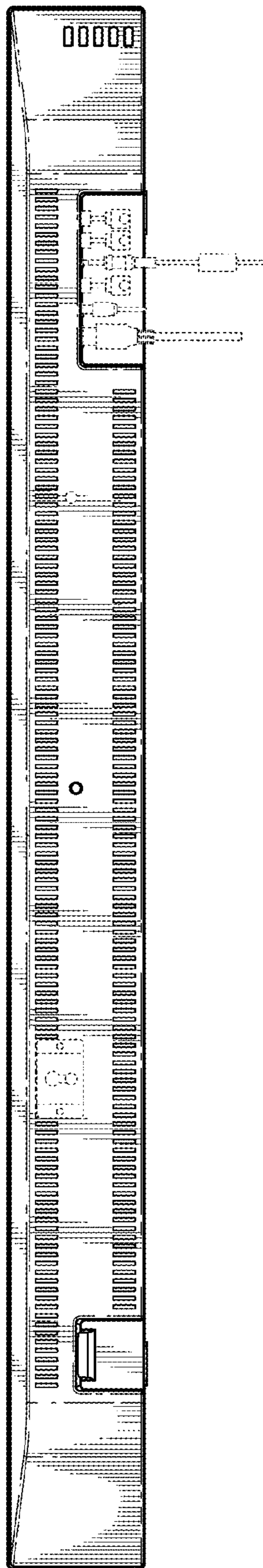


FIG. 3

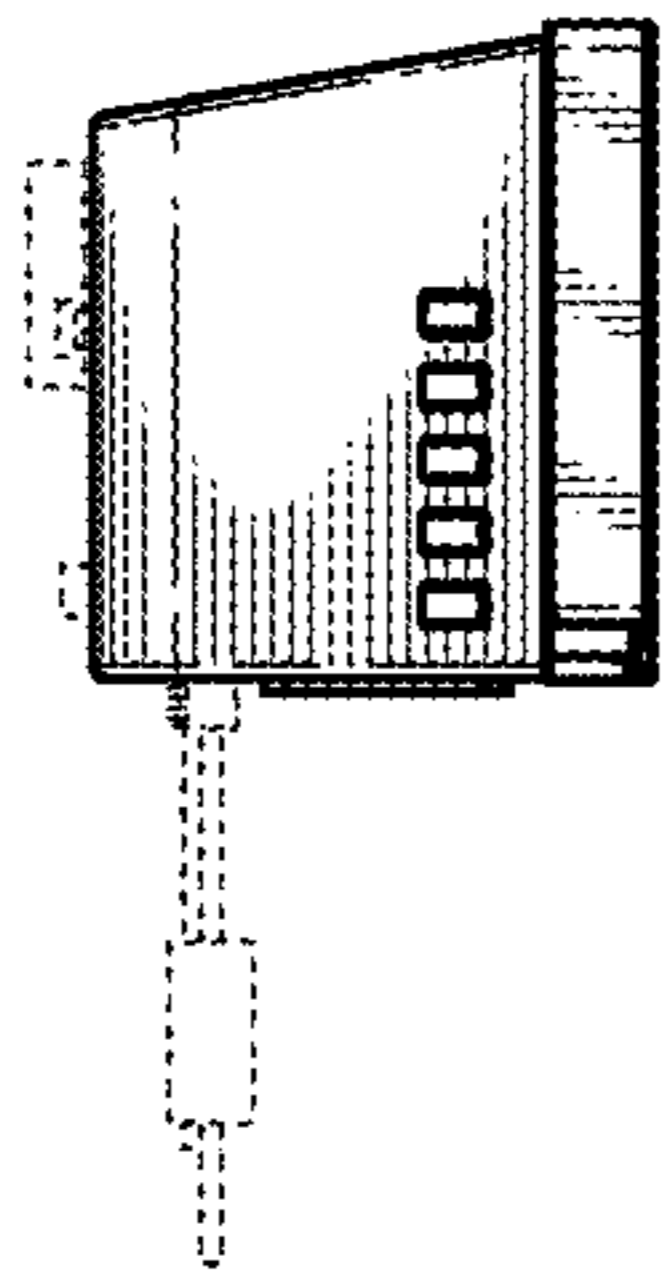


FIG. 4

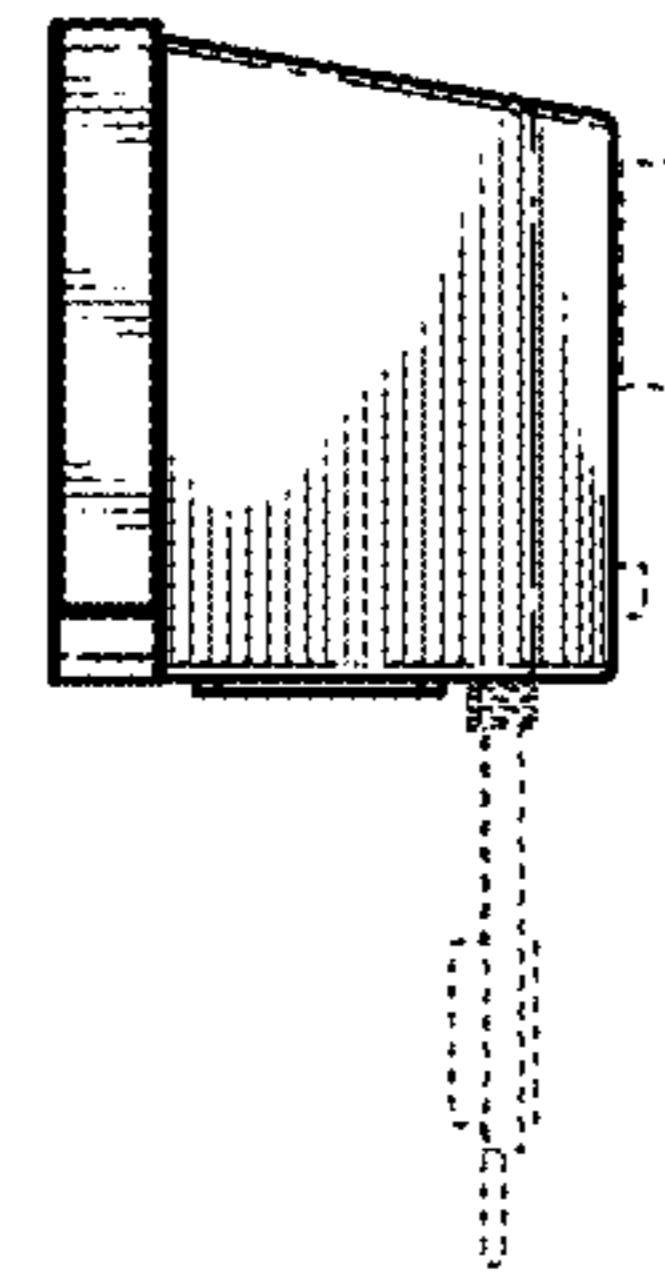


FIG. 5

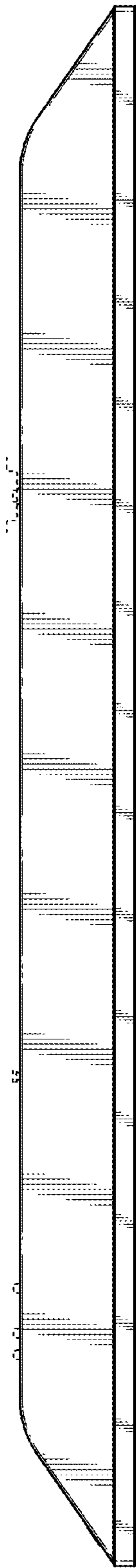


FIG. 6

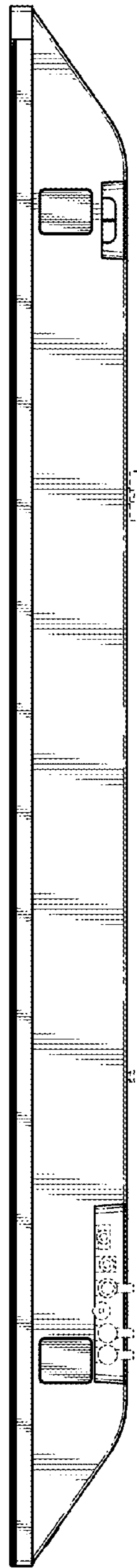


FIG. 7