



US00D715768S

(12) **United States Design Patent**
Ryu et al.

(10) **Patent No.:** **US D715,768 S**
(45) **Date of Patent:** **** Oct. 21, 2014**

(54) **SPEAKER**

(75) Inventors: **Junghan Ryu**, Seoul (KR); **Younsoo Kim**, Seoul (KR); **Wataru Takahashi**, Tokyo (JP); **Juyeon An**, Seoul (KR); **Gangho Woo**, Seoul (KR); **Jungwon Heo**, Seoul (KR)

(73) Assignee: **LG Electronics Inc.**, Seoul (KR)

(**) Term: **14 Years**

(21) Appl. No.: **29/422,427**

(22) Filed: **May 21, 2012**

(30) **Foreign Application Priority Data**

Jan. 19, 2012 (KR) 30-2012-0003097

(51) **LOC (10) Cl.** **14-03**

(52) **U.S. Cl.**
USPC **D14/214; D14/211**

(58) **Field of Classification Search**
USPC D14/167, 168, 170-172, 188, 194-196, D14/204, 207, 209.1, 210-216, 221, 222; 181/143, 144, 147, 148, 150, 153, 157, 181/198, 199; 381/300-303, 306, 332, 333, 381/336, 345, 361-364, 386-388; D13/107, 108; 455/344-351; 369/6-12

See application file for complete search history.

(56) **References Cited**

U.S. PATENT DOCUMENTS

| | | | |
|--------------|---------|-----------------------|---------|
| D470,126 S * | 2/2003 | Ljungberg et al. | D14/214 |
| D520,494 S * | 5/2006 | Aiba et al. | D14/214 |
| D522,493 S * | 6/2006 | Tanaka et al. | D14/214 |
| D545,811 S * | 7/2007 | Yamamoto et al. | D14/211 |
| D578,997 S * | 10/2008 | Takuma | D14/172 |
| D582,390 S * | 12/2008 | Hasegawa et al. | D14/214 |
| D624,528 S * | 9/2010 | Hoehn et al. | D14/214 |
| D626,113 S * | 10/2010 | Yoshida | D14/214 |
| D653,239 S * | 1/2012 | Kim et al. | D14/215 |
| D660,284 S * | 5/2012 | Carbone | D14/214 |
| D669,883 S * | 10/2012 | Cheng | D14/214 |
| D681,009 S * | 4/2013 | Meng et al. | D14/214 |

* cited by examiner

Primary Examiner — Keli L Hill

(74) *Attorney, Agent, or Firm* — Morgan, Lewis & Bockius LLP

(57) **CLAIM**

The ornamental design for a speaker, as shown and described.

DESCRIPTION

FIG. 1 is a front, right side, perspective view of a speaker showing our new design;
FIG. 2 is a front view thereof;
FIG. 3 is a rear view thereof;
FIG. 4 is a left side view thereof;
FIG. 5 is a right side view thereof;
FIG. 6 is a top view thereof; and,
FIG. 7 is a bottom view thereof.
The broken lines shown in the drawings represent unclaimed portions of the speaker and form no part of the claimed design.

1 Claim, 2 Drawing Sheets

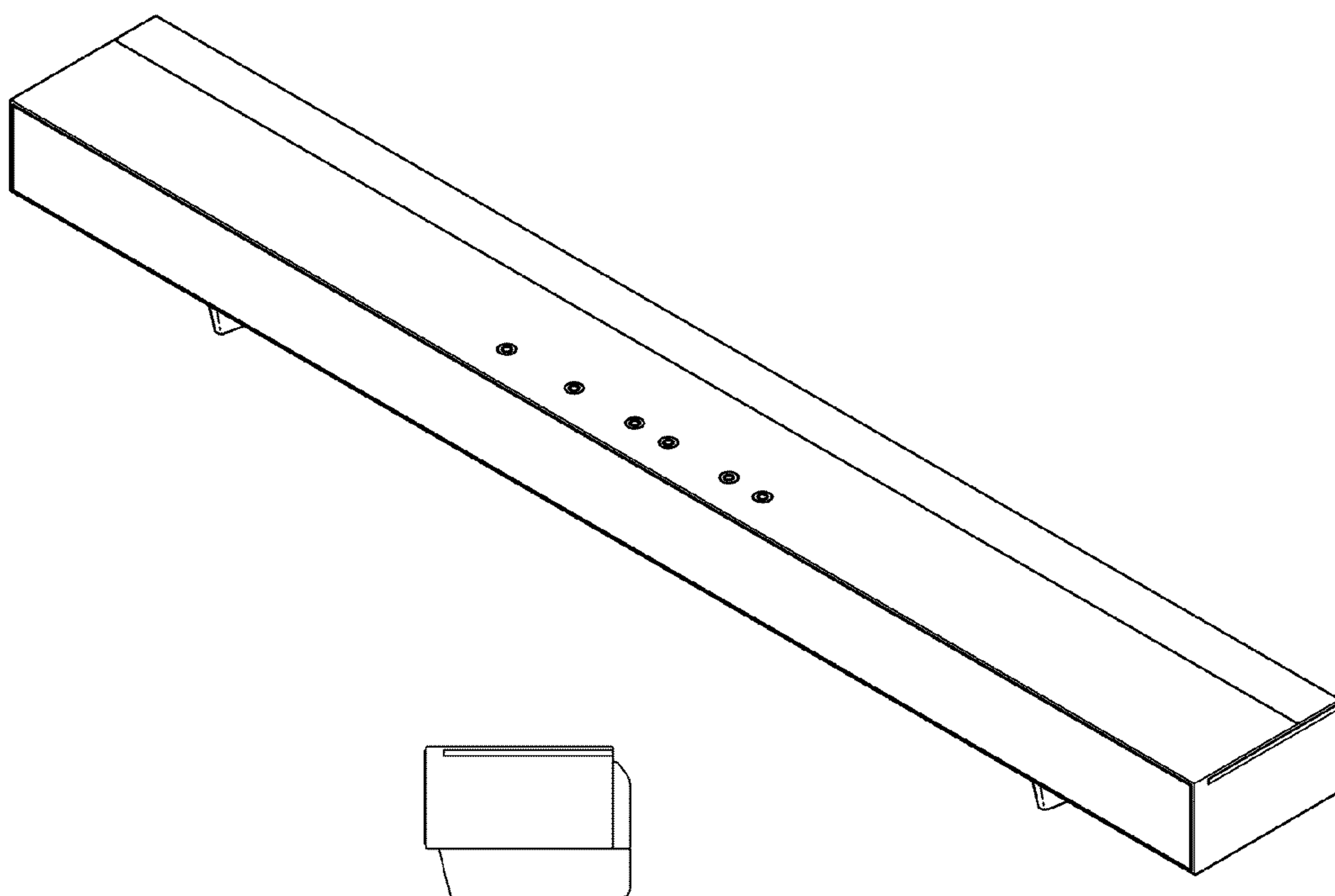


FIG. 1

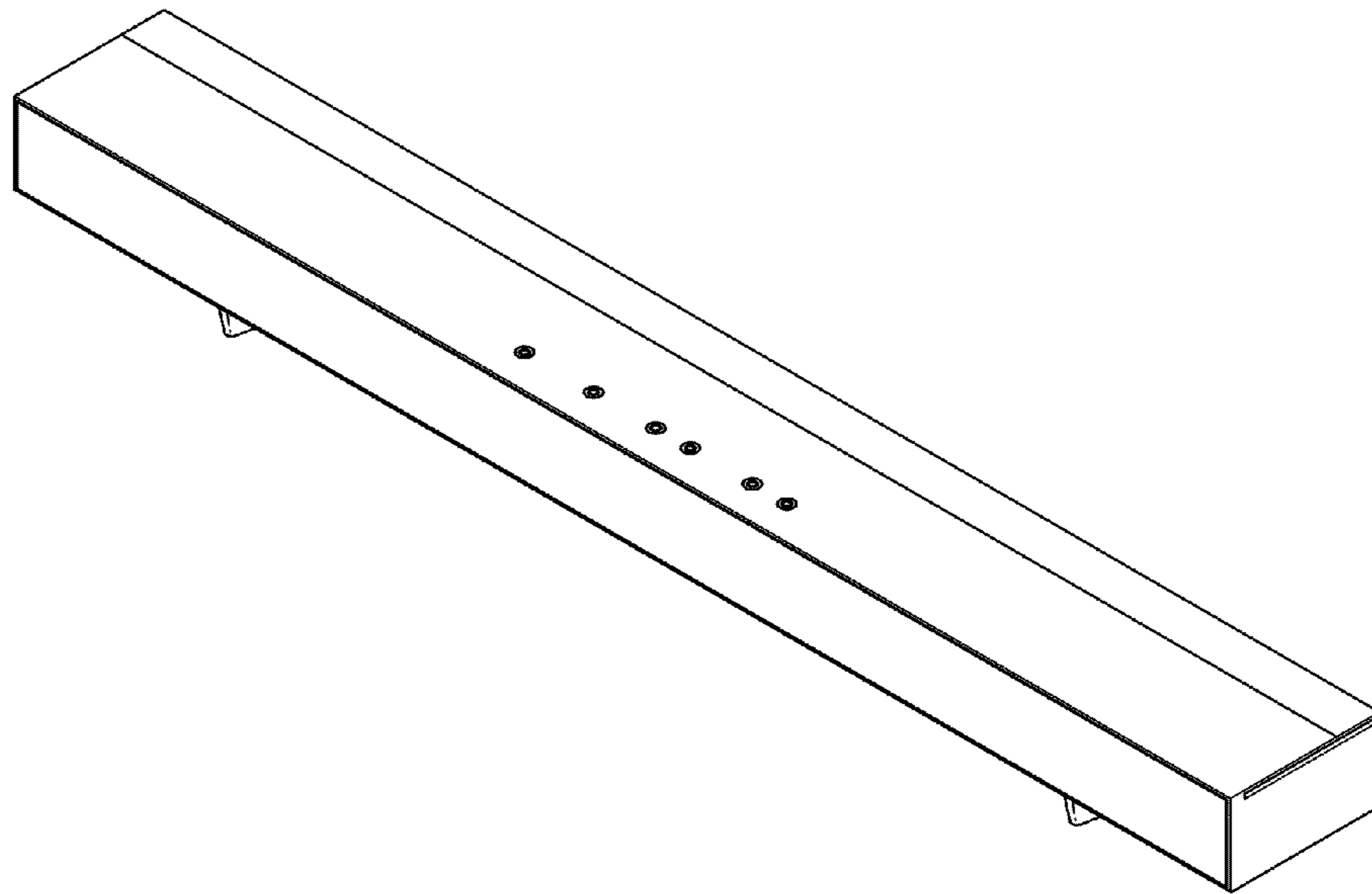


FIG. 2

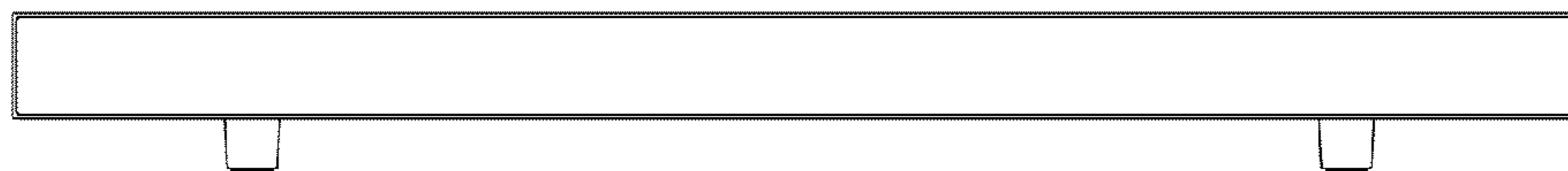


FIG. 3

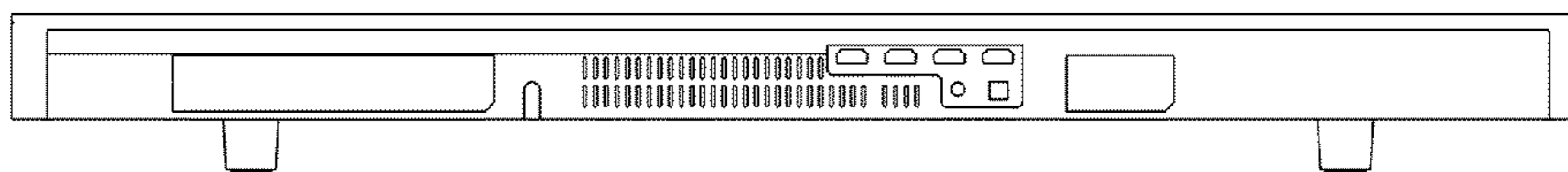


FIG. 4

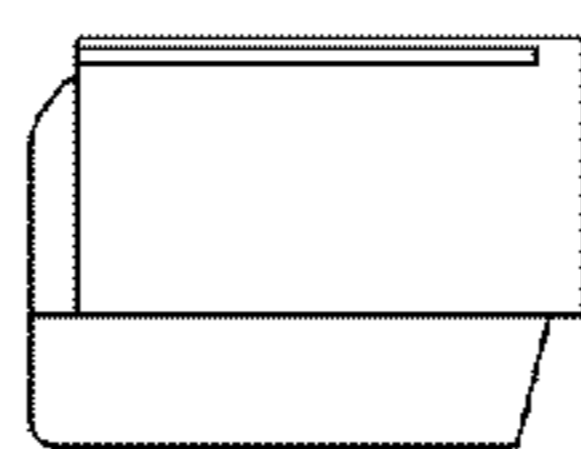


FIG. 5

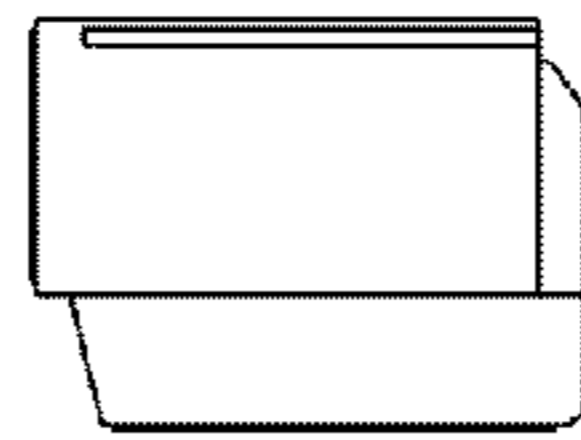


FIG. 6

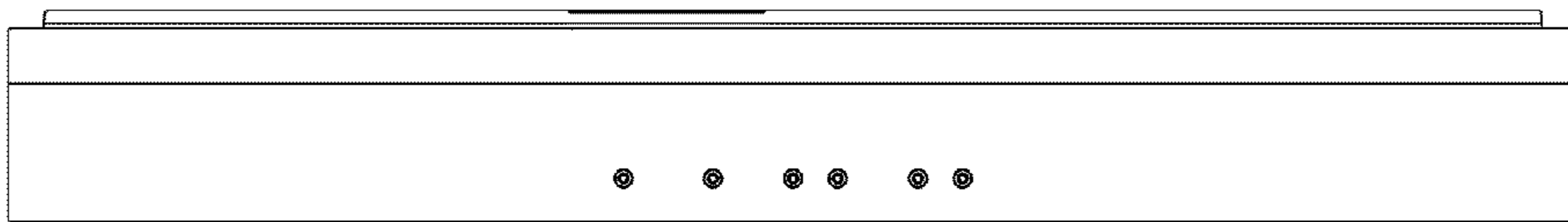


FIG. 7

