



US00D715767S

(12) **United States Design Patent**
Woo et al.

(10) **Patent No.:** **US D715,767 S**
(45) **Date of Patent:** **** Oct. 21, 2014**

(54) **SPEAKER**

(71) Applicant: **Samsung Electronics Co., Ltd.**,
Suwon-si (KR)

(72) Inventors: **Byung-Min Woo**, Bucheon-Si (KR);
Chae-Joo Son, Namyangjoo-Si (KR)

(73) Assignee: **Samsung Electronics Co., Ltd.**,
Suwon-si (KR)

(**) Term: **14 Years**

(21) Appl. No.: **29/446,883**

(22) Filed: **Feb. 28, 2013**

(30) **Foreign Application Priority Data**

Aug. 29, 2012 (KR) 30-2012-0041592

(51) **LOC (10) Cl.** **14-03**

(52) **U.S. Cl.**
USPC **D14/213**; D14/211; D14/215

(58) **Field of Classification Search**
CPC H04M 1/03; H04M 1/035; H04N 5/642;
H04N 21/4852; H04S 3/00; H04S 7/30;
H04R 1/02; H04R 1/06; H04R 1/021; H04R
1/025; H04R 1/026; H04R 1/028; H04R
1/105; H04R 1/323; H04R 1/403; H04R
1/2803; H04R 1/2834; H04R 5/02; H04R
7/20; H04R 9/06; H04R 9/025; H04R
2201/021; H04R 2400/00; H04R 2400/07;
H04R 2499/11; H04R 2499/13; H04R
2499/15; G06F 1/1688; B60R 11/0217

USPC D14/167, 168, 170–172, 188, 194–196,
D14/204, 207, 209.1, 210–216, 221, 222,
D14/224; 181/143, 144, 147, 148, 150, 153,
181/157, 198, 199; 381/300–303, 306, 332,
381/333, 336, 345, 361–364, 386–388;
369/6–12

See application file for complete search history.

(56) **References Cited**

U.S. PATENT DOCUMENTS

D362,439 S * 9/1995 Mark D14/211
D522,492 S * 6/2006 Carbone D14/211
D654,053 S * 2/2012 Lee et al. D14/211
D676,422 S * 2/2013 Onoue D14/214
D683,330 S * 5/2013 Ryu et al. D14/209.1
D687,812 S * 8/2013 Lee D14/211
D702,214 S * 4/2014 Son D14/224

* cited by examiner

Primary Examiner — Keli L Hill

(74) *Attorney, Agent, or Firm* — NSIP Law

(57) **CLAIM**

The ornamental design for a speaker, as shown and described.

DESCRIPTION

FIG. 1 is a front perspective view of a speaker;
FIG. 2 is a front view of the speaker of FIG. 1;
FIG. 3 is a rear view of the speaker of FIG. 1;
FIG. 4 is a left-side view of the speaker of FIG. 1;
FIG. 5 is a right-side view of the speaker of FIG. 1;
FIG. 6 is a top plan view of the speaker of FIG. 1; and,
FIG. 7 is a bottom plan view of the speaker of FIG. 1.

1 Claim, 4 Drawing Sheets

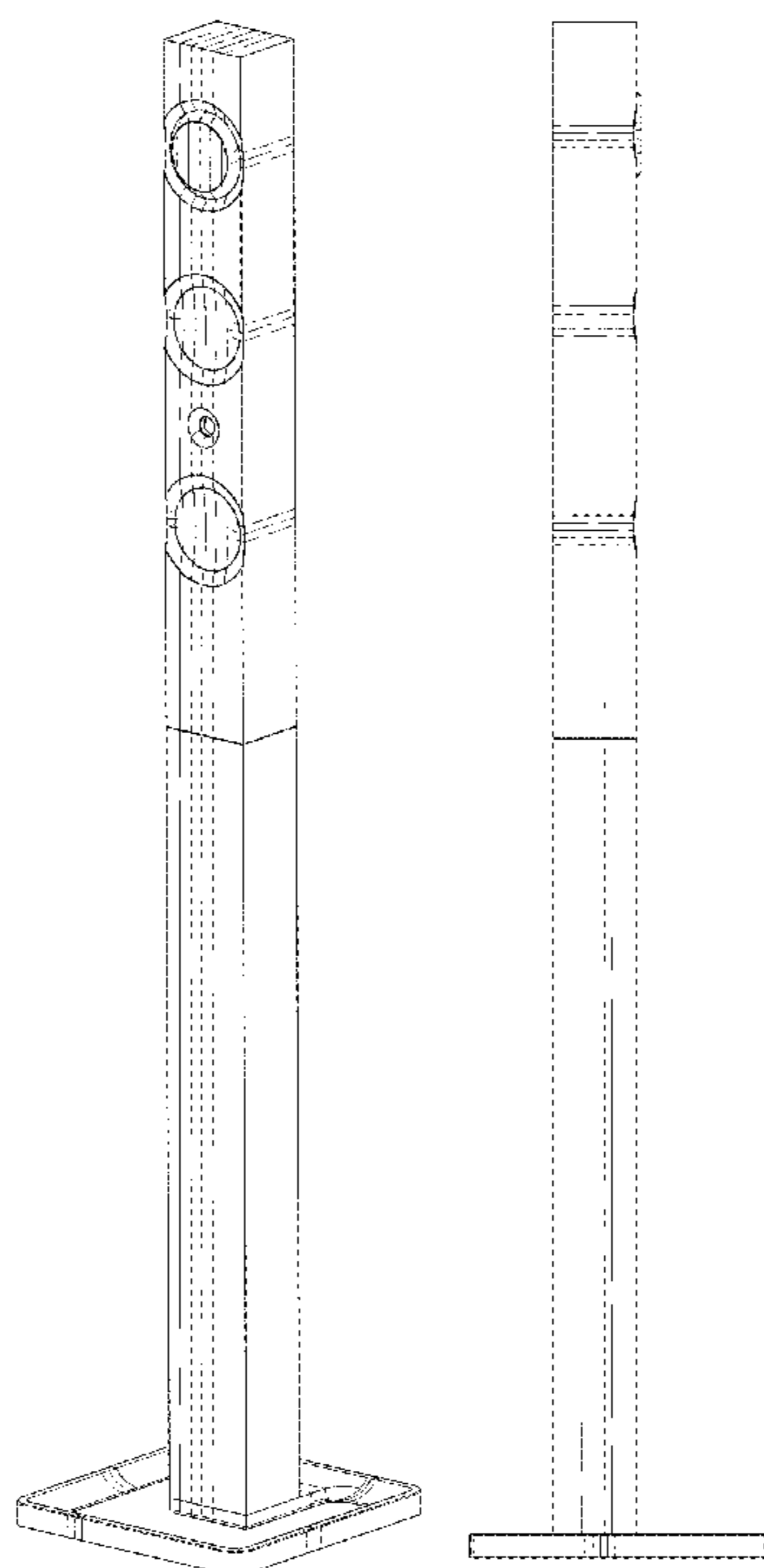


FIG. 1

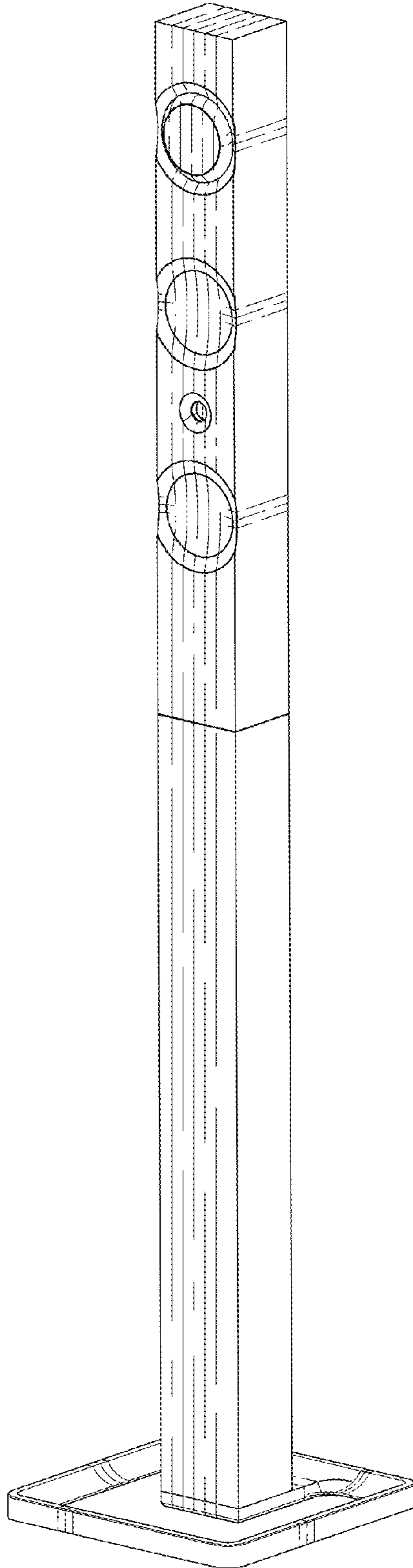


FIG. 2

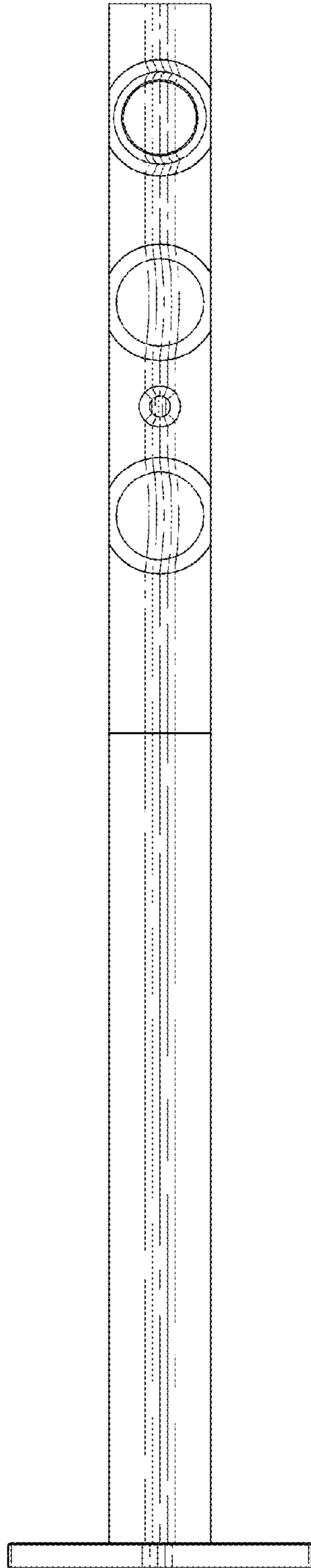


FIG. 3

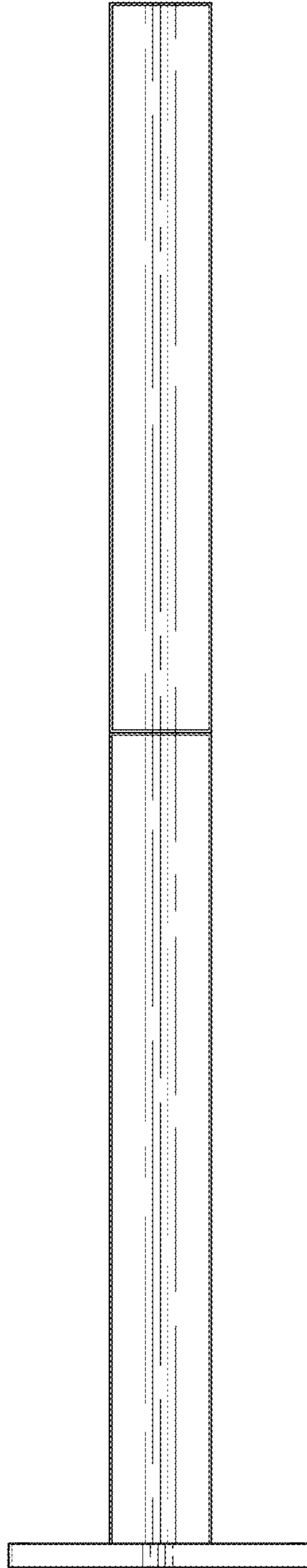


FIG. 4

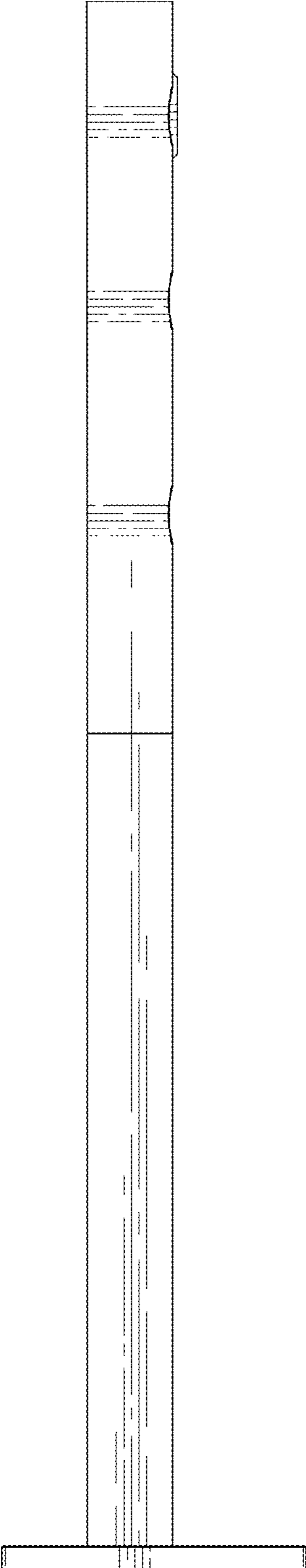


FIG. 5

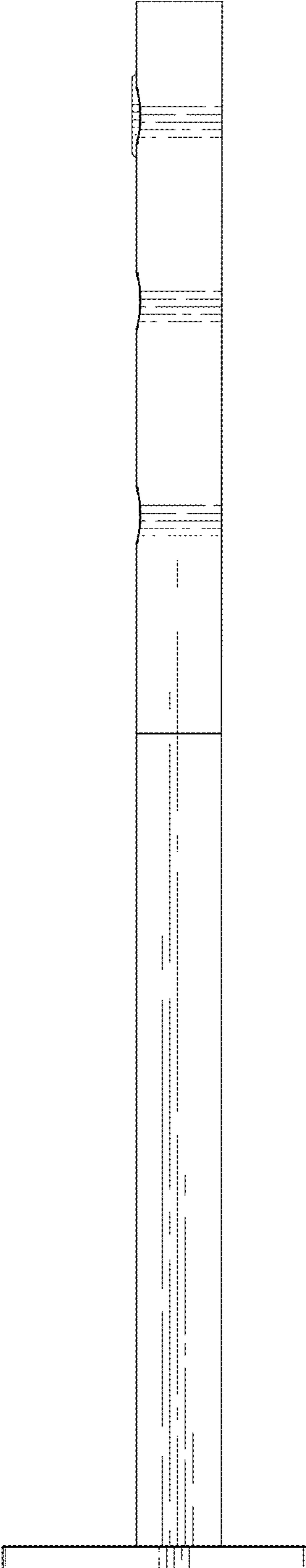


FIG. 6

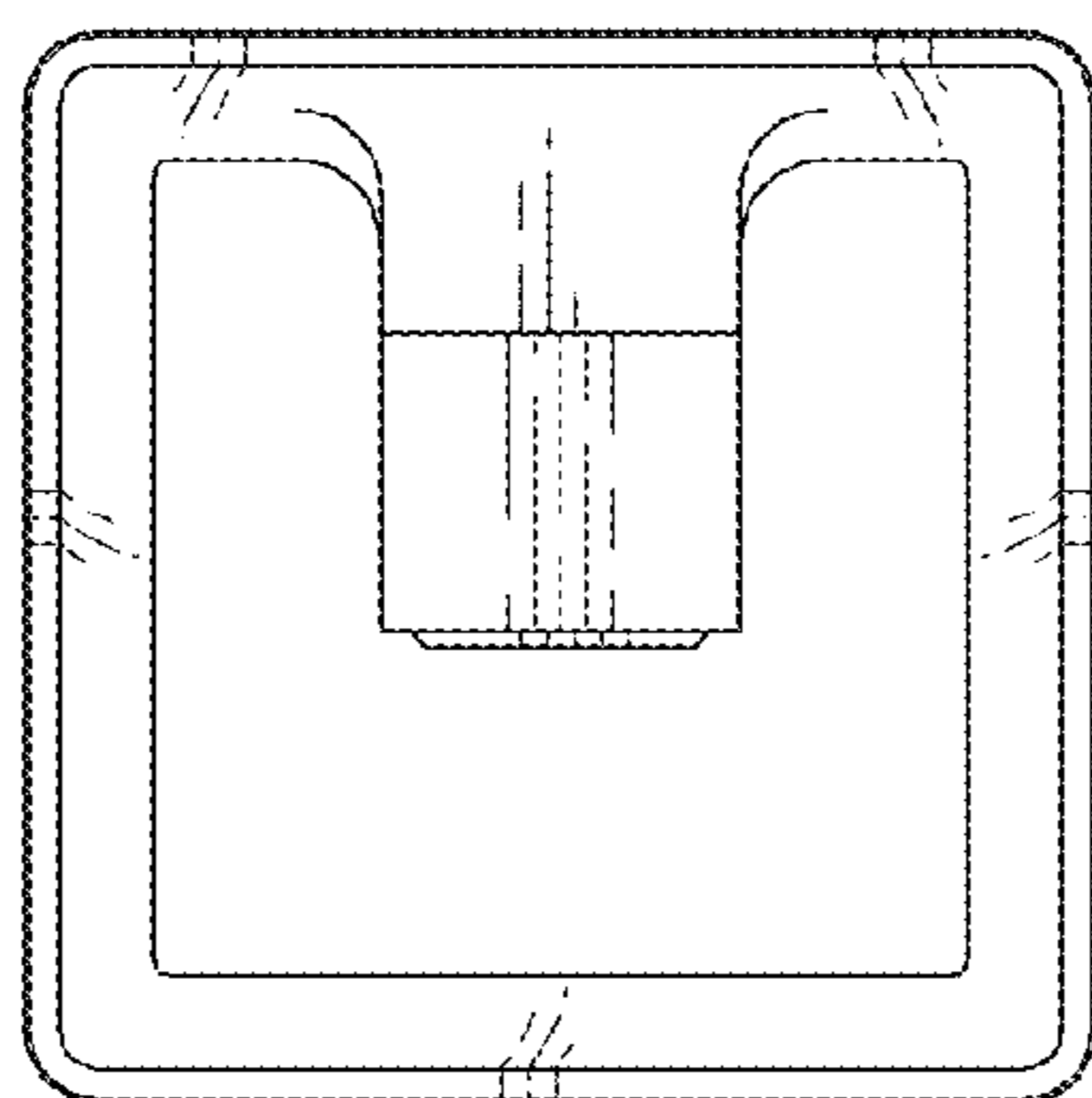


FIG. 7

