



US00D715766S

(12) **United States Design Patent**
Osborn et al.

(10) **Patent No.:** **US D715,766 S**
(45) **Date of Patent:** **** Oct. 21, 2014**

(54) **WATER-RESISTANT, BATTERY-POWERED
SPEAKER FOR HANDHELD DEVICES**

(56) **References Cited**

U.S. PATENT DOCUMENTS

(71) Applicants: **Warren Robert Osborn**, Provo, UT
(US); **John Craig Cheney**, Orem, UT
(US)

D334,418 S *	3/1993	Woo	D21/516
D452,490 S *	12/2001	Shintani	D14/171
D510,927 S *	10/2005	Harris et al.	D14/188
D584,288 S *	1/2009	Kim	D14/215
D641,006 S *	7/2011	Anthony et al.	D14/214

(Continued)

(72) Inventors: **Warren Robert Osborn**, Provo, UT
(US); **John Craig Cheney**, Orem, UT
(US)

Primary Examiner — Keli L Hill

(74) *Attorney, Agent, or Firm* — Angus C. Fox, III

(73) Assignee: **Braven LC**, Provo, UT (US)

(57) **CLAIM**

(**) Term: **14 Years**

The ornamental design for a water-resistant, battery-powered speaker for handheld devices, as shown and described.

(21) Appl. No.: **29/455,121**

DESCRIPTION

(22) Filed: **May 16, 2013**

(51) **LOC (10) Cl.** **14-03**

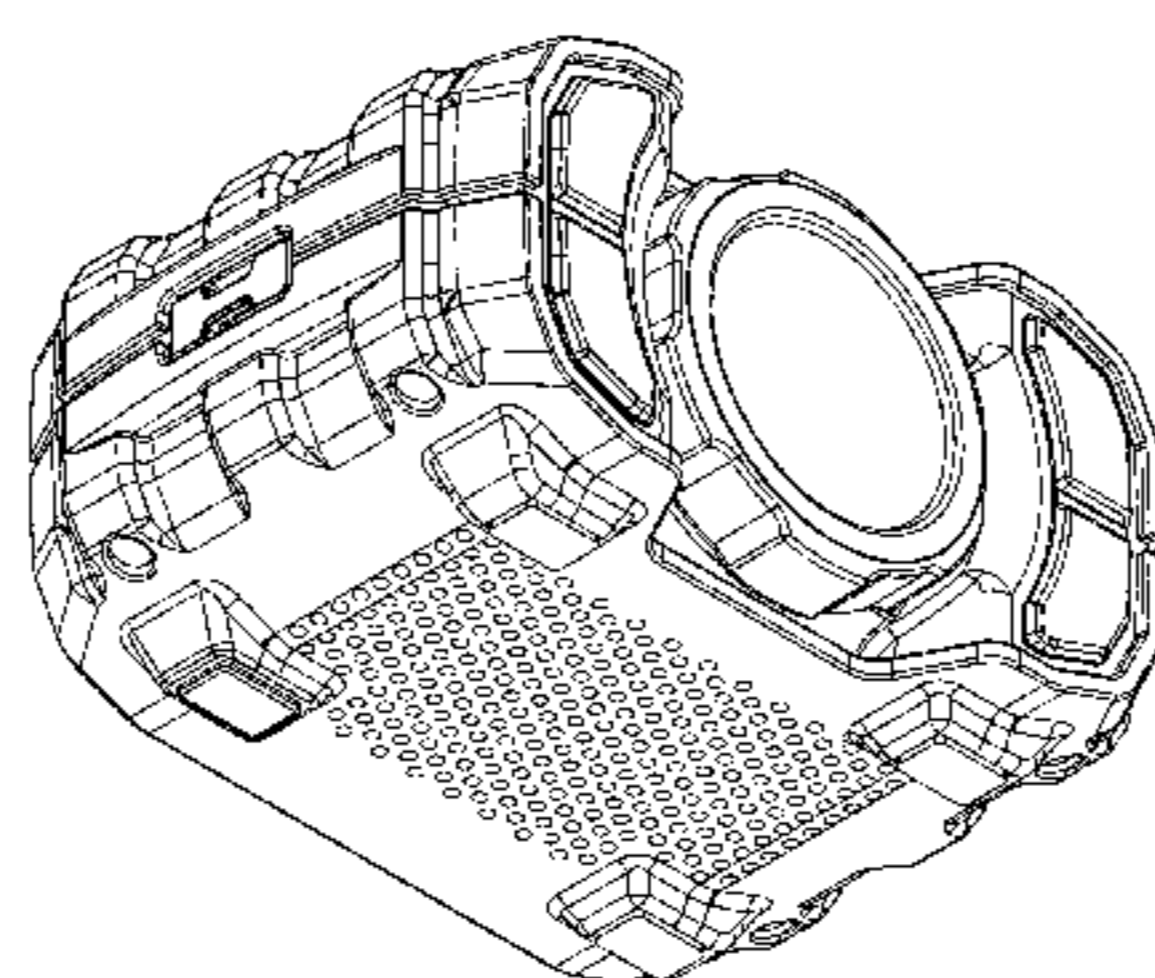
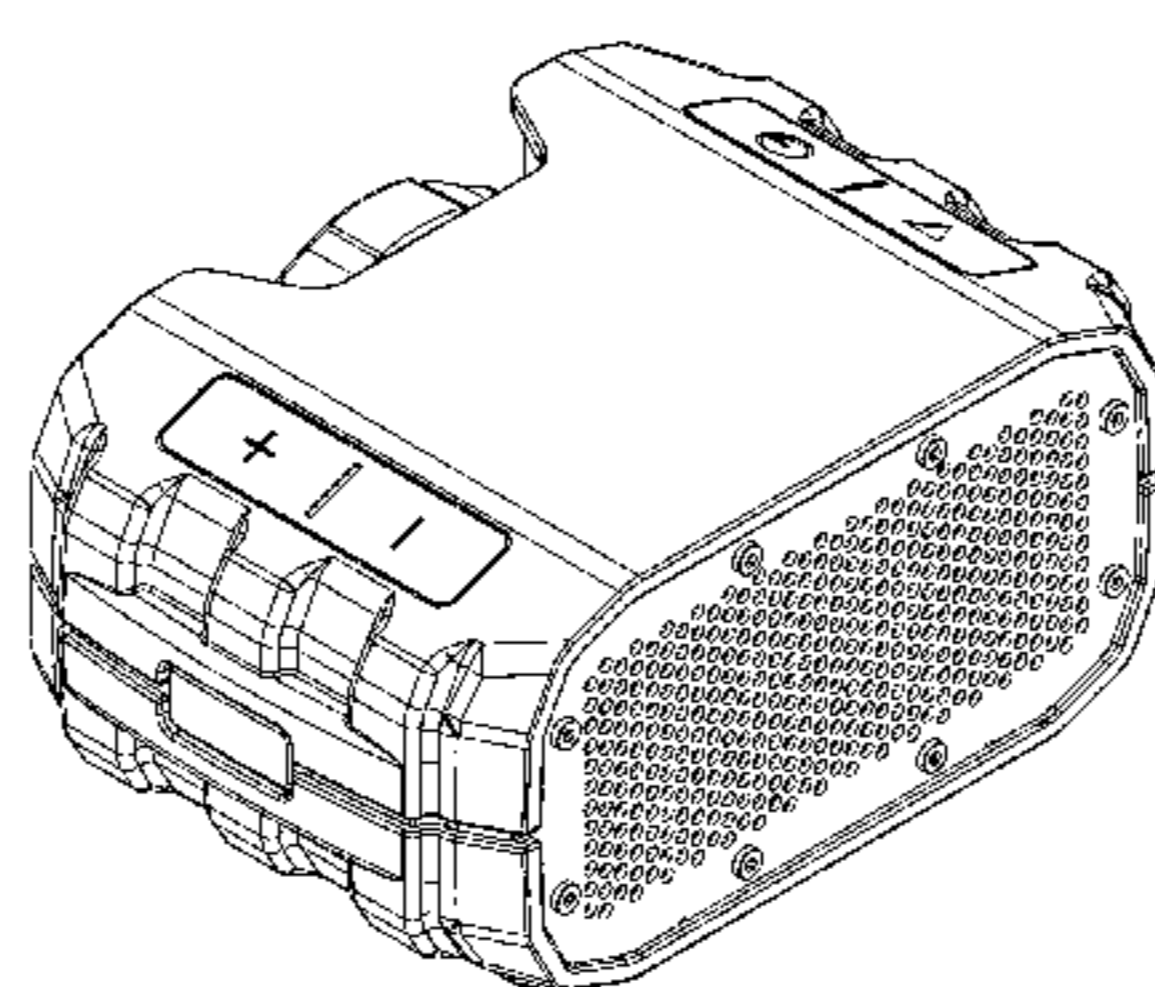
(52) **U.S. Cl.**
USPC **D14/210**; D14/214

(58) **Field of Classification Search**
CPC B60R 11/0217; H04M 1/03; H04M 1/035;
H04N 5/642; H04N 21/4852; H04R 1/02;
H04R 1/06; H04R 1/021; H04R 1/025;
H04R 1/026; H04R 1/028; H04R 1/105;
H04R 1/323; H04R 1/403; H04R 1/2803;
H04R 1/2834; H04R 5/02; H04R 7/20;
H04R 9/06; H04R 9/025; H04R 2201/021;
H04R 2400/00; H04R 2400/07; H04R
2499/11; H04R 2499/13; H04R 2499/15;
H04S 3/00; H04S 7/30; G06F 1/1688
USPC D14/167, 168, 170–172, 188, 194–196,
D14/204, 207, 209.1, 210–216, 221, 222,
D14/224; 181/143, 144, 147, 148, 150, 153,
181/157, 198, 199; 381/300–303, 306, 332,
381/333, 336, 345, 361–364, 386–388;
369/6–12

FIG. 1 is a top, front and left side isometric view of a water-resistant, battery-powered speaker for handheld devices, embodying our new design;
FIG. 2 is a top, front and right side isometric view thereof;
FIG. 3 is a bottom, front and left side isometric view thereof;
FIG. 4 is a bottom, front and right side isometric view thereof;
FIG. 5 is a top, rear and right side isometric view thereof;
FIG. 6 is a top, rear and left side isometric view thereof;
FIG. 7 is a bottom, rear and right side isometric view thereof;
FIG. 8 is a bottom, rear and left side isometric view thereof;
FIG. 9 is a bottom and rear isometric view thereof;
FIG. 10 is a top and rear isometric view thereof;
FIG. 11 is an alternate top and rear isometric view thereof;
FIG. 12 is a right side elevation view thereof;
FIG. 13 is a left side elevation view thereof;
FIG. 14 is a front elevation view thereof;
FIG. 15 is a rear elevation view thereof;
FIG. 16 is a top plan view thereof; and,
FIG. 17 is a bottom plan view thereof.

See application file for complete search history.

1 Claim, 15 Drawing Sheets



US D715,766 S

Page 2

(56)

References Cited

U.S. PATENT DOCUMENTS

D659,670 S *	5/2012	Goetzen et al.	D14/194
D674,779 S *	1/2013	Joseph	D14/214
D704,076 S *	5/2014	Poandl	D10/2
D655,272 S *	3/2012	Kawase et al.	D14/194

* cited by examiner

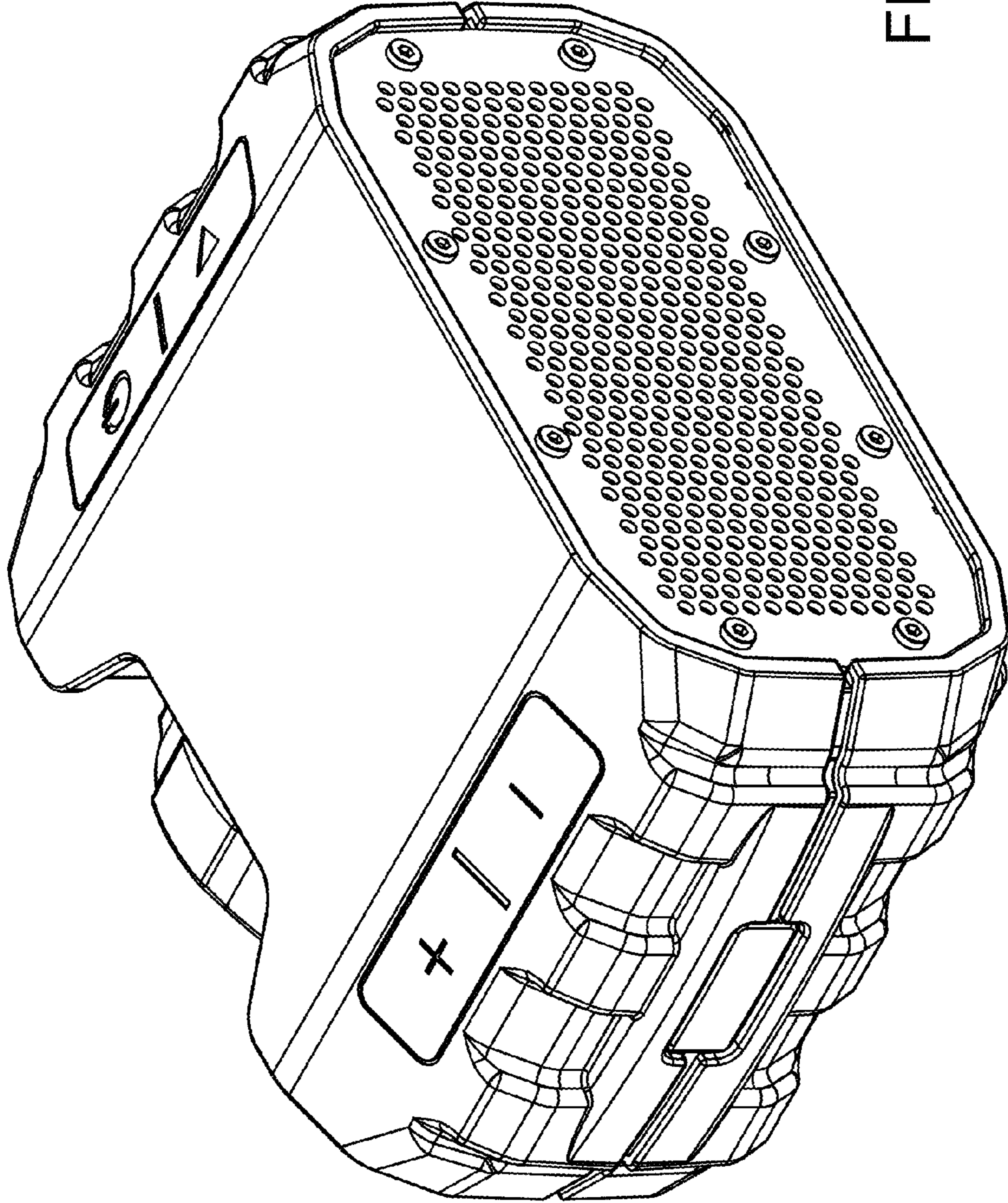


FIG. 1

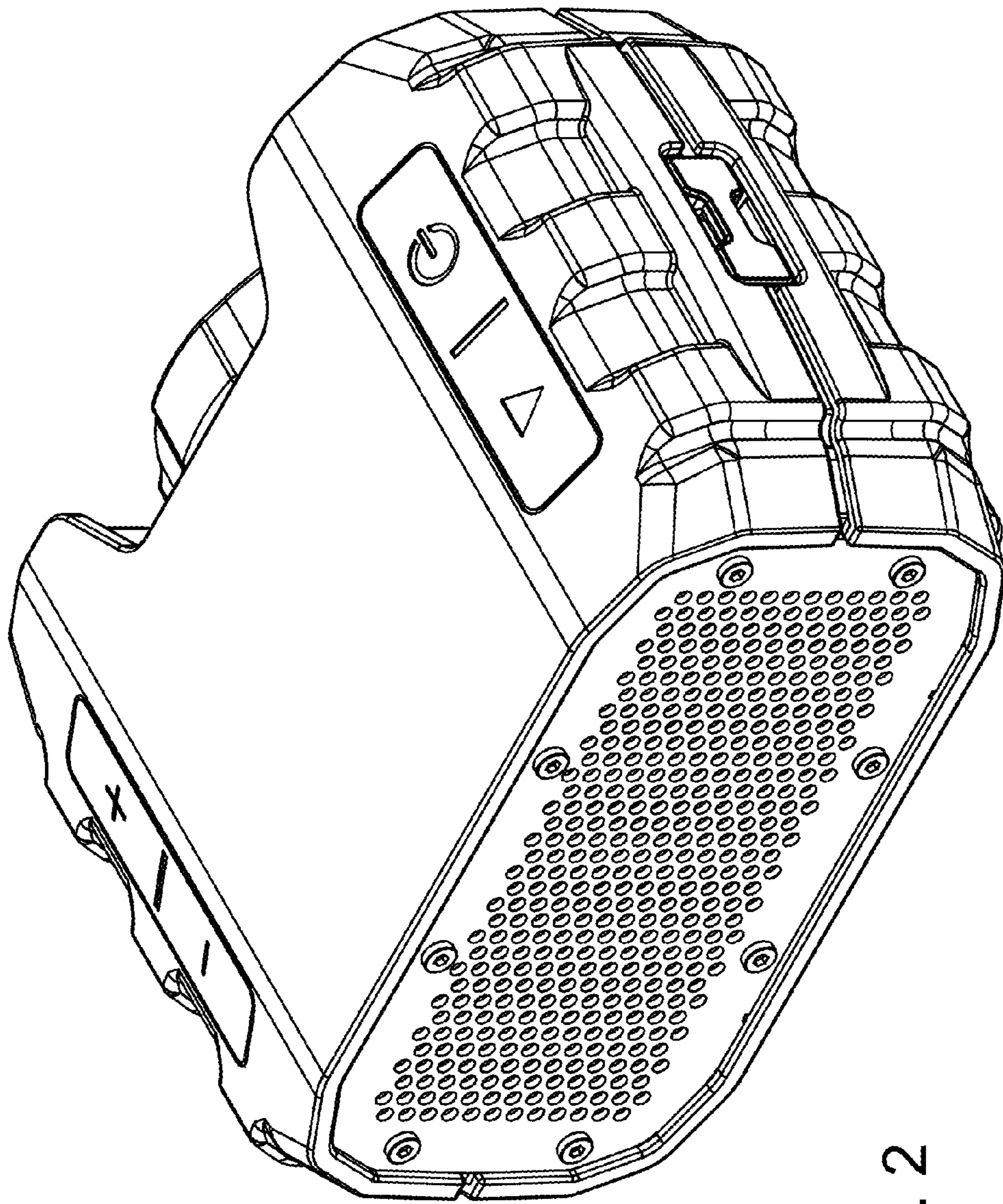


FIG. 2

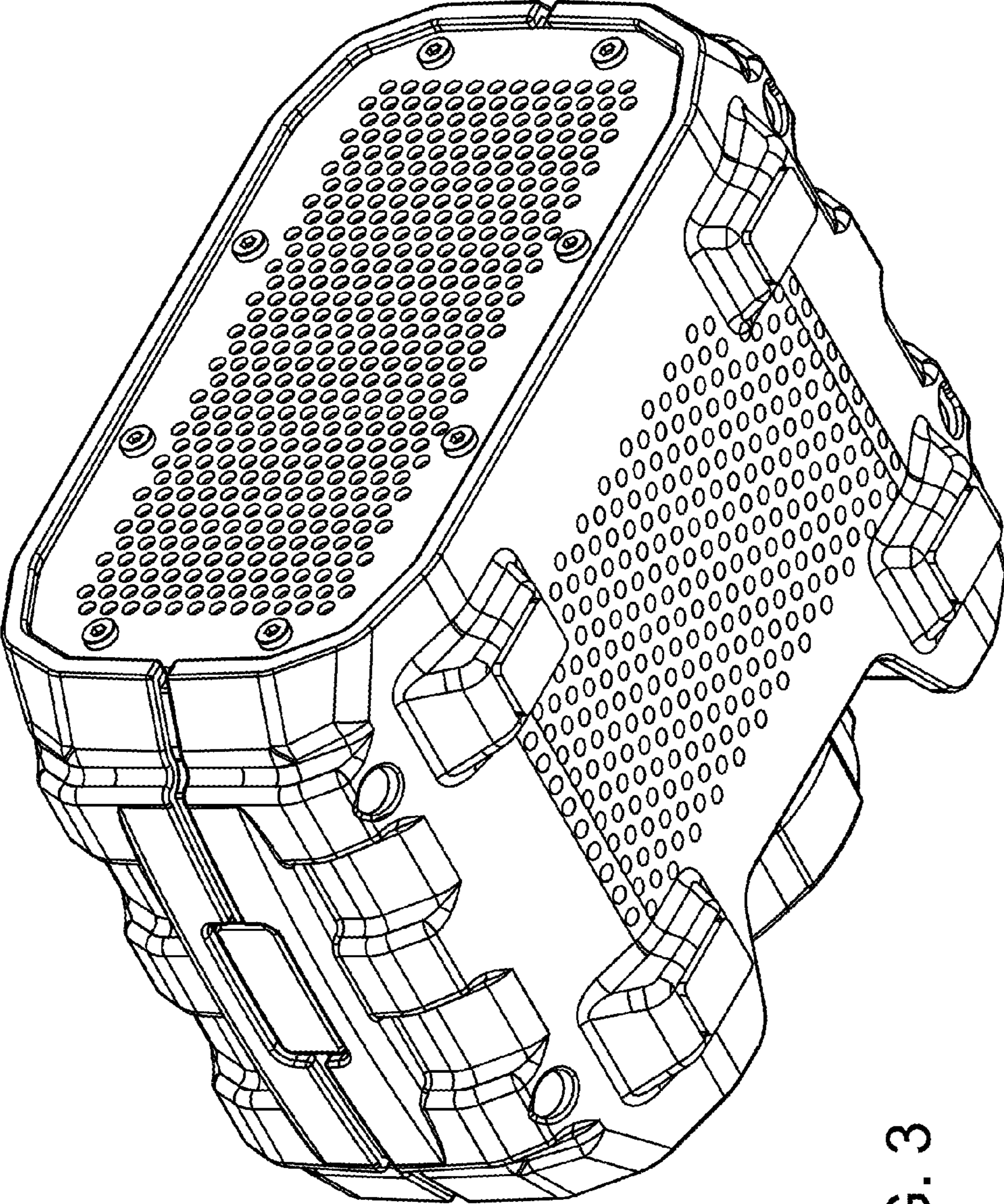


FIG. 3

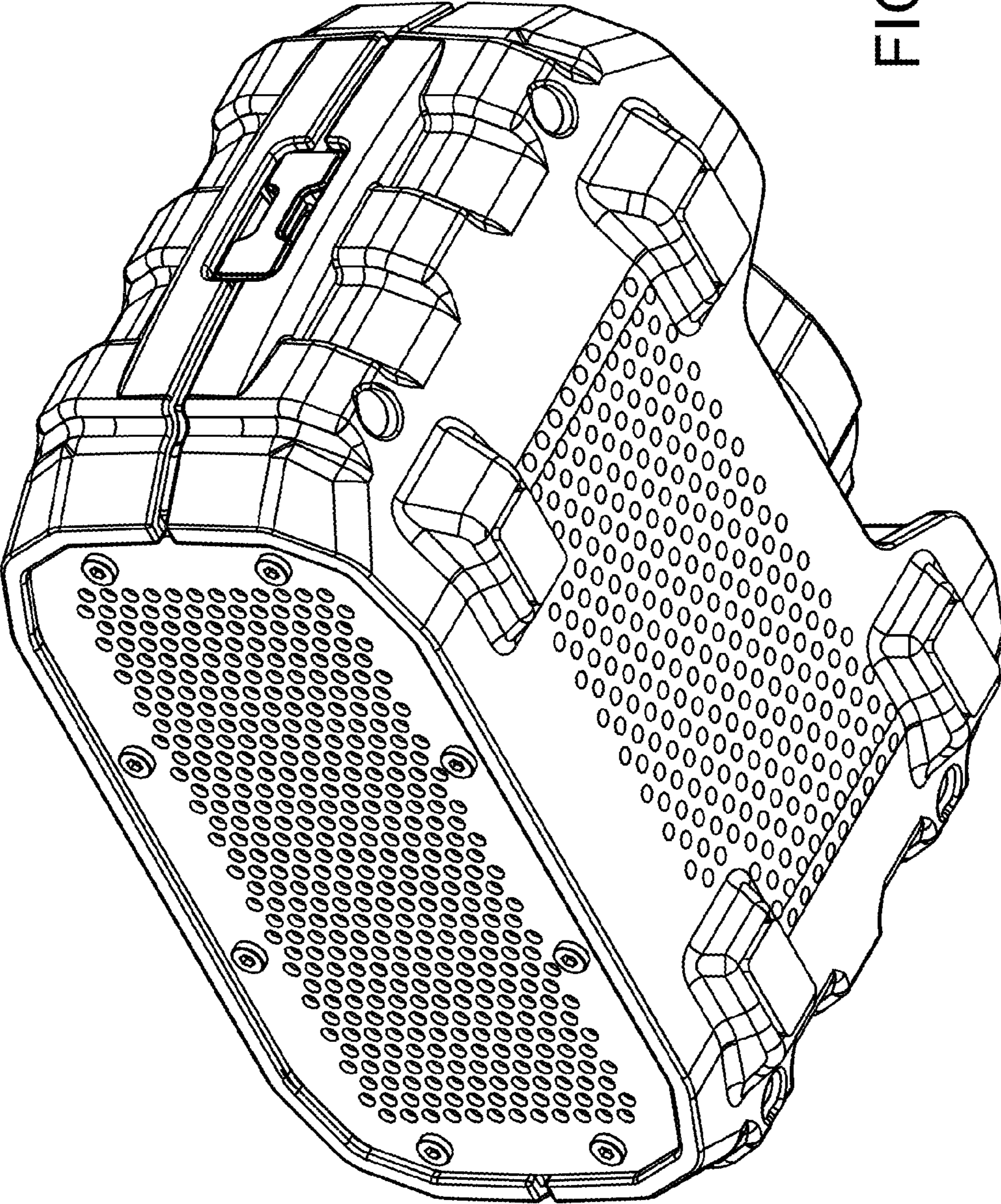


FIG. 4

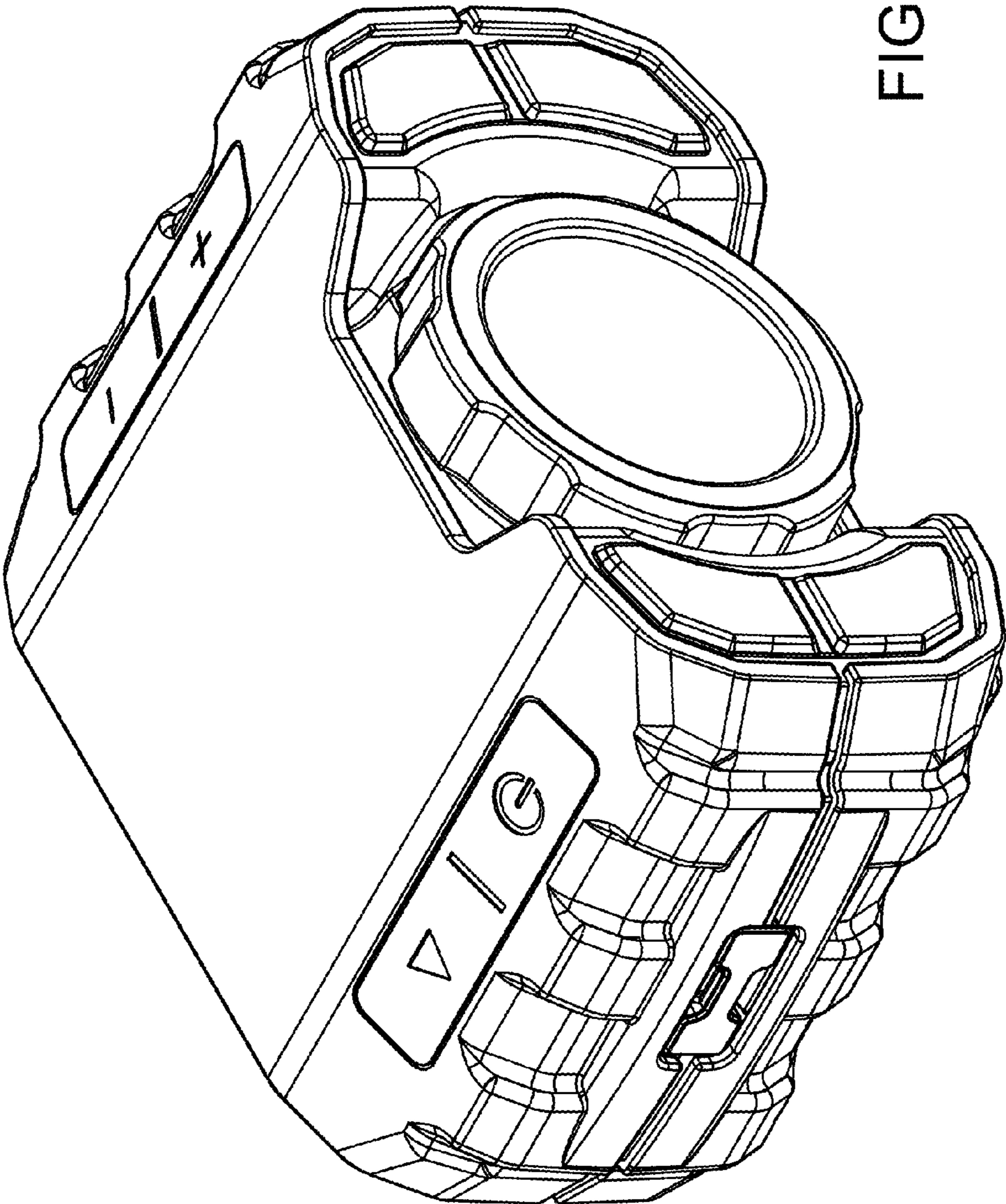


FIG. 5

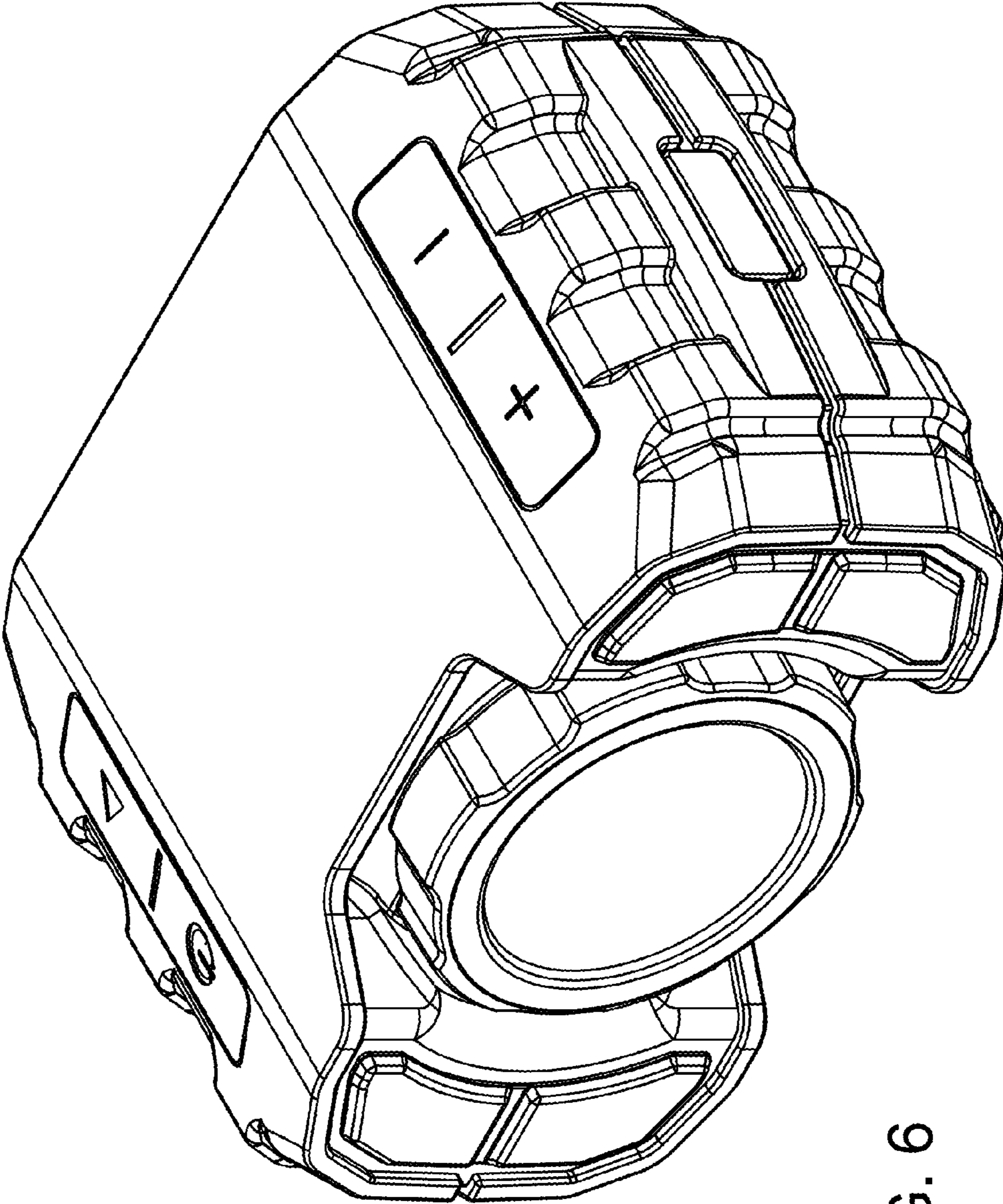


FIG. 6

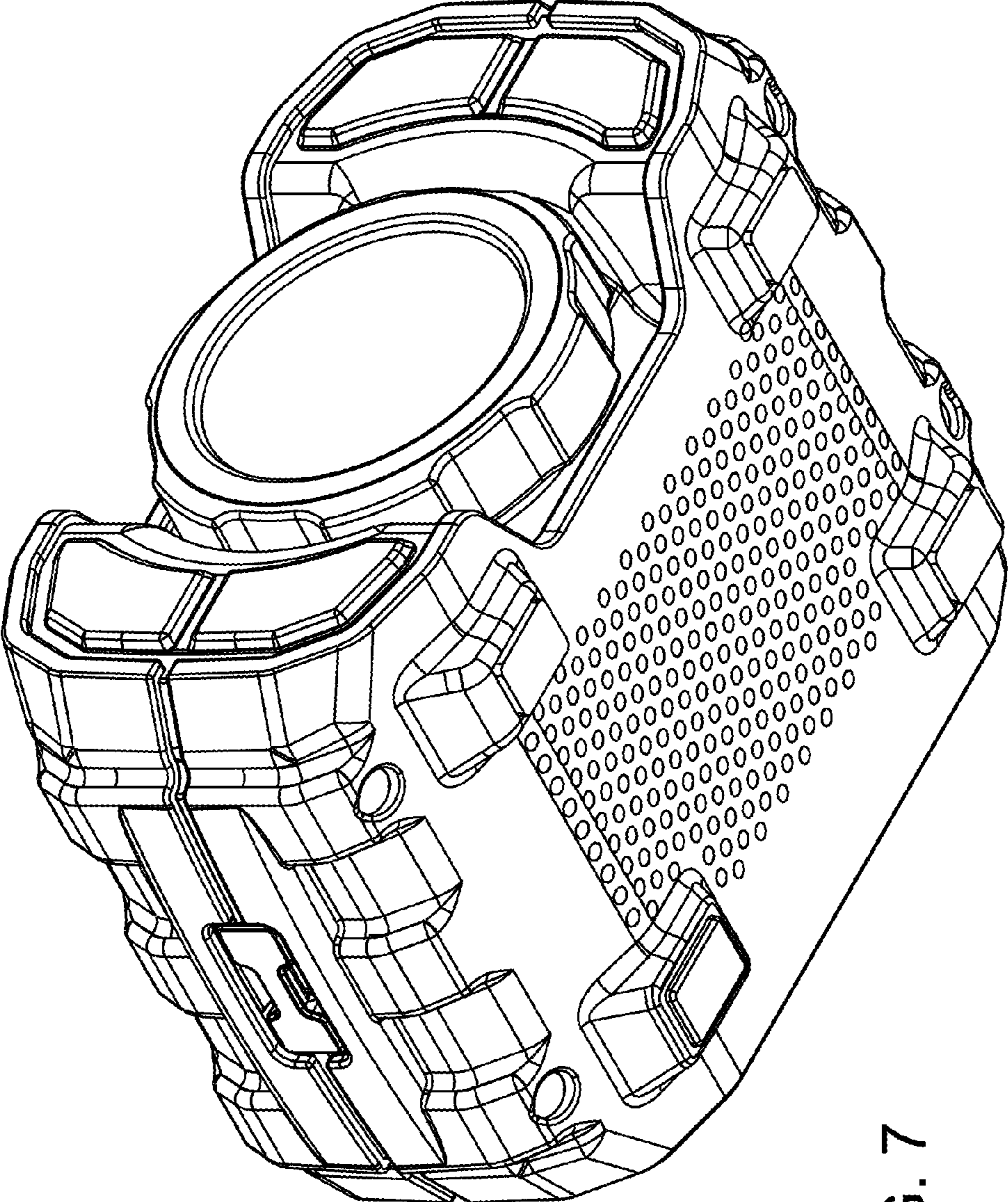


FIG. 7

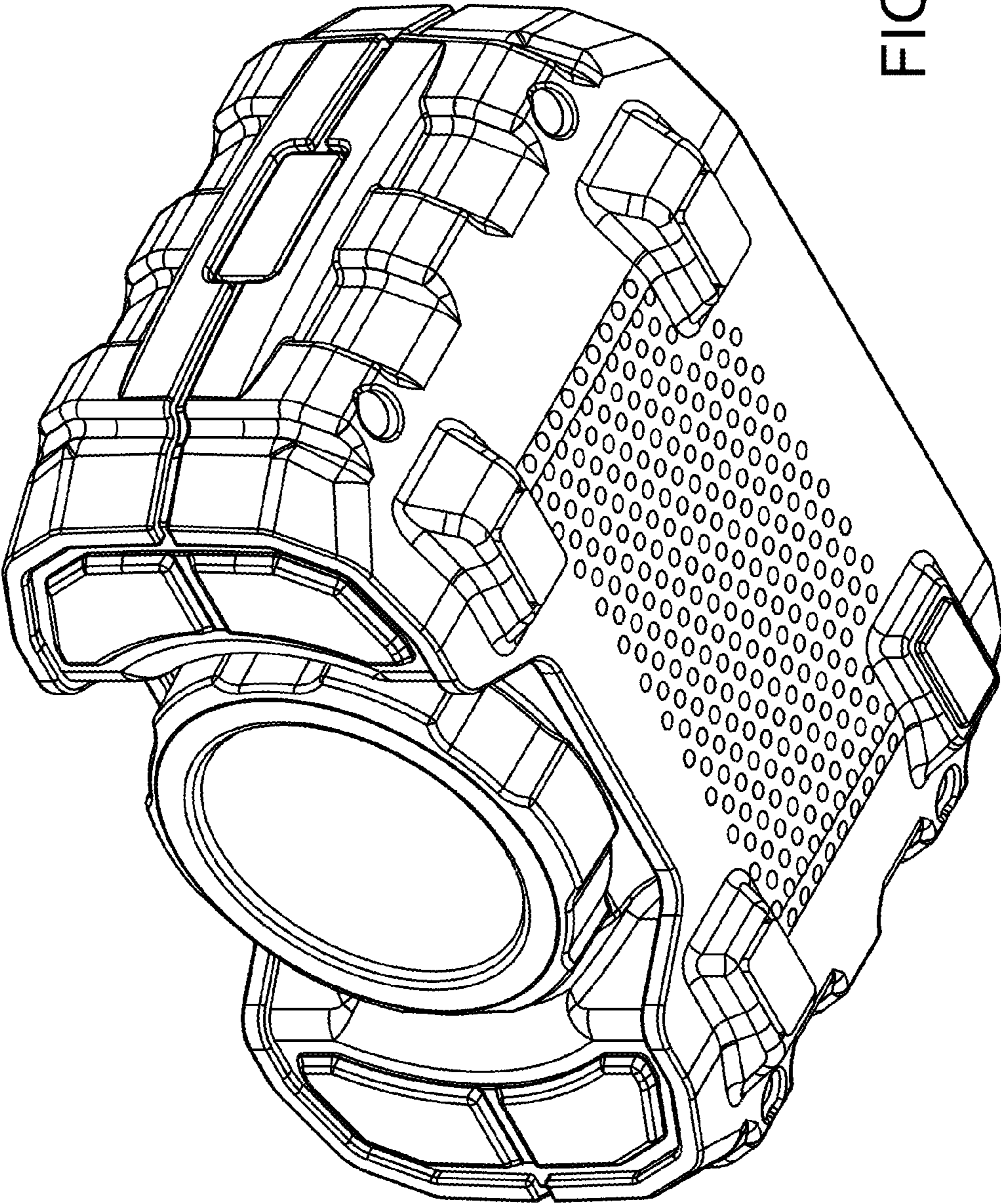


FIG. 8

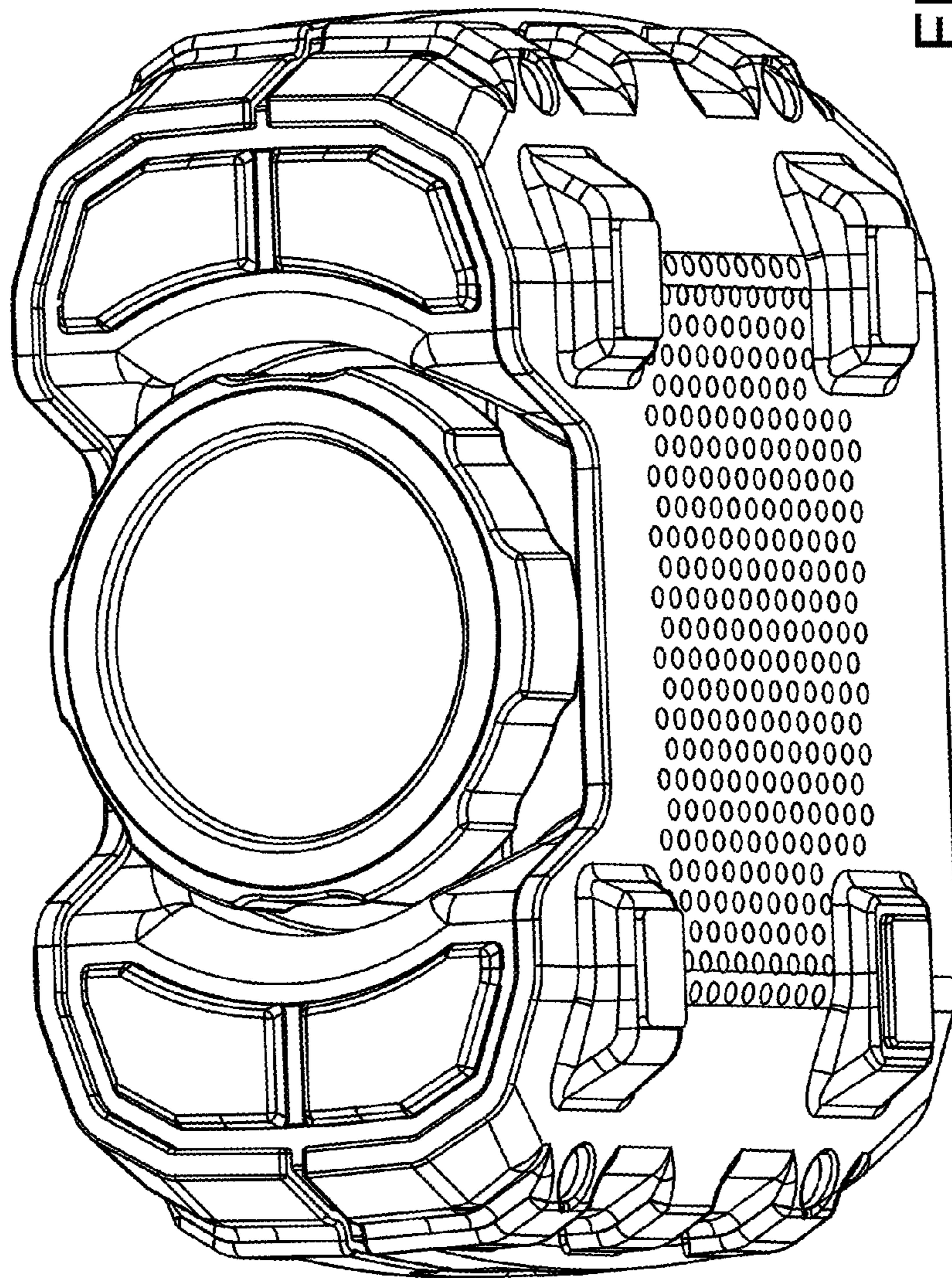


FIG. 9

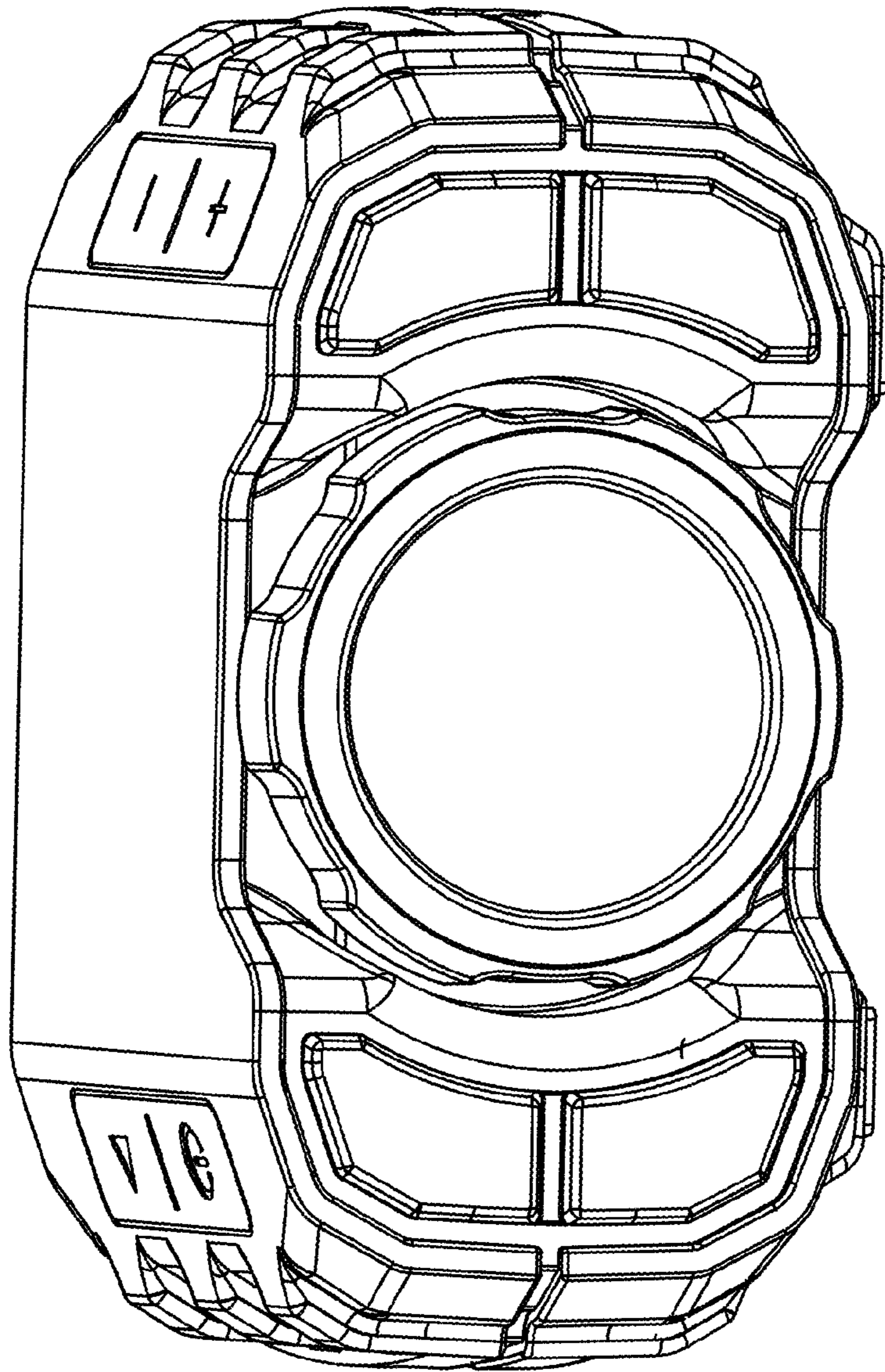
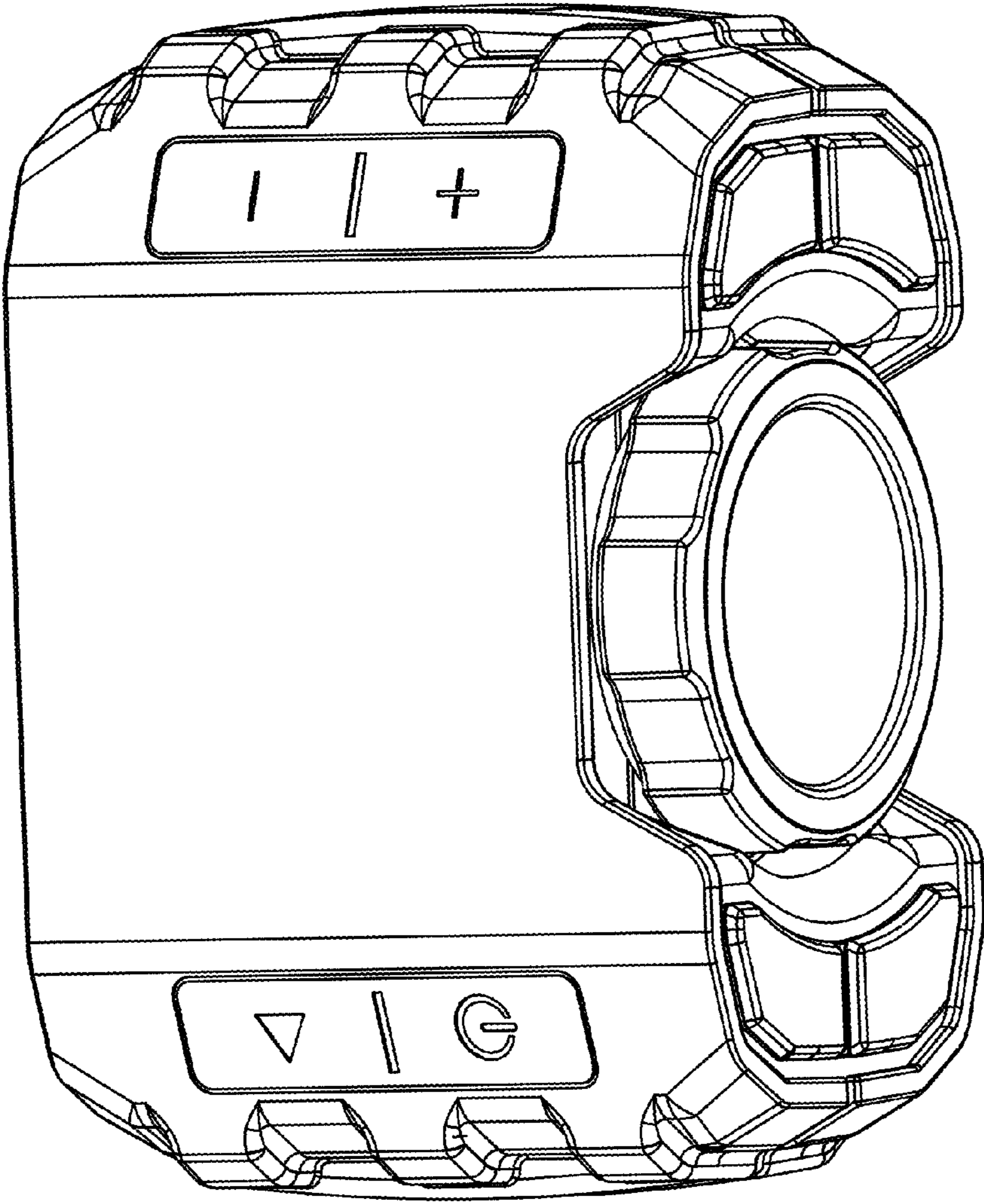


FIG. 10

FIG. 11



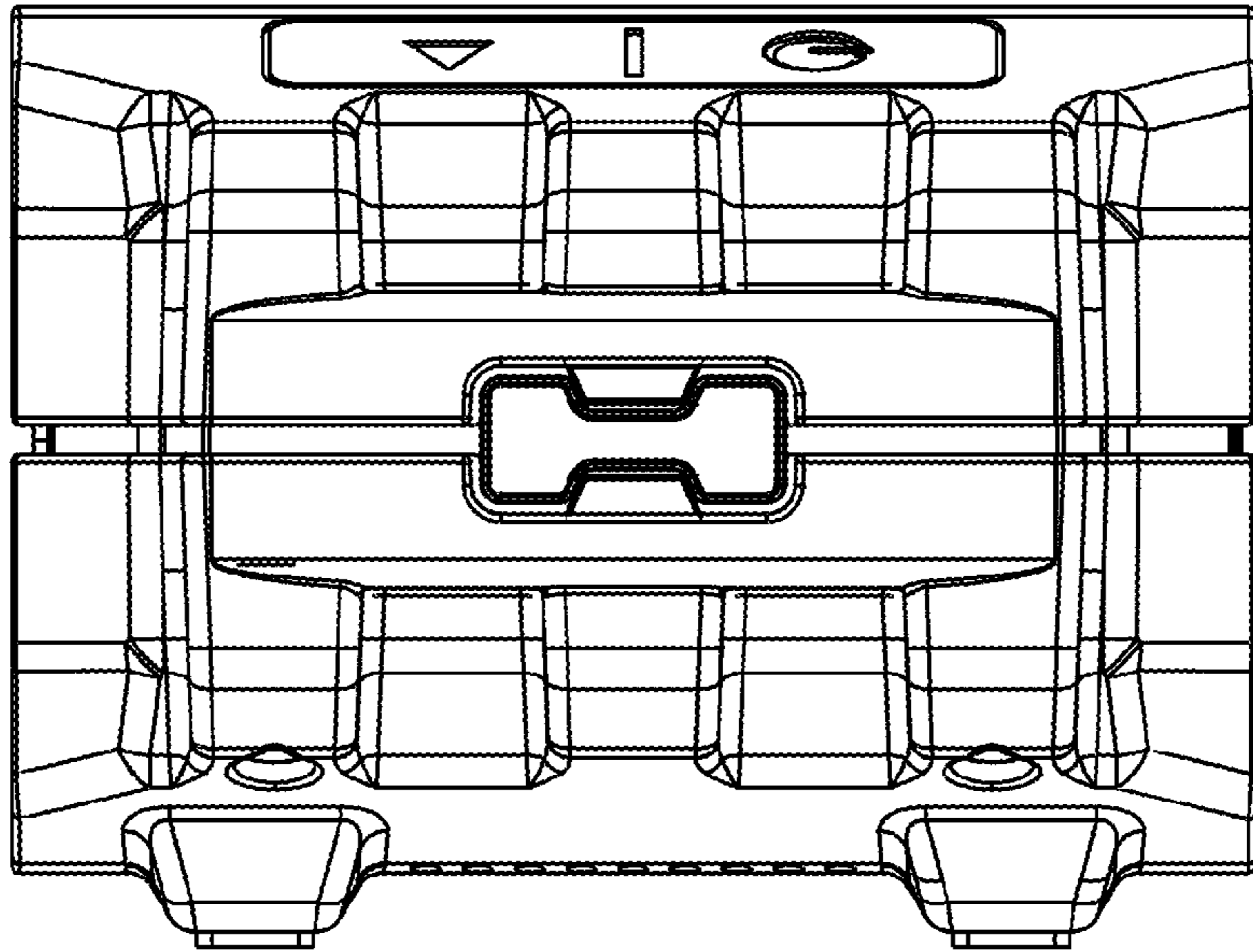


FIG. 12

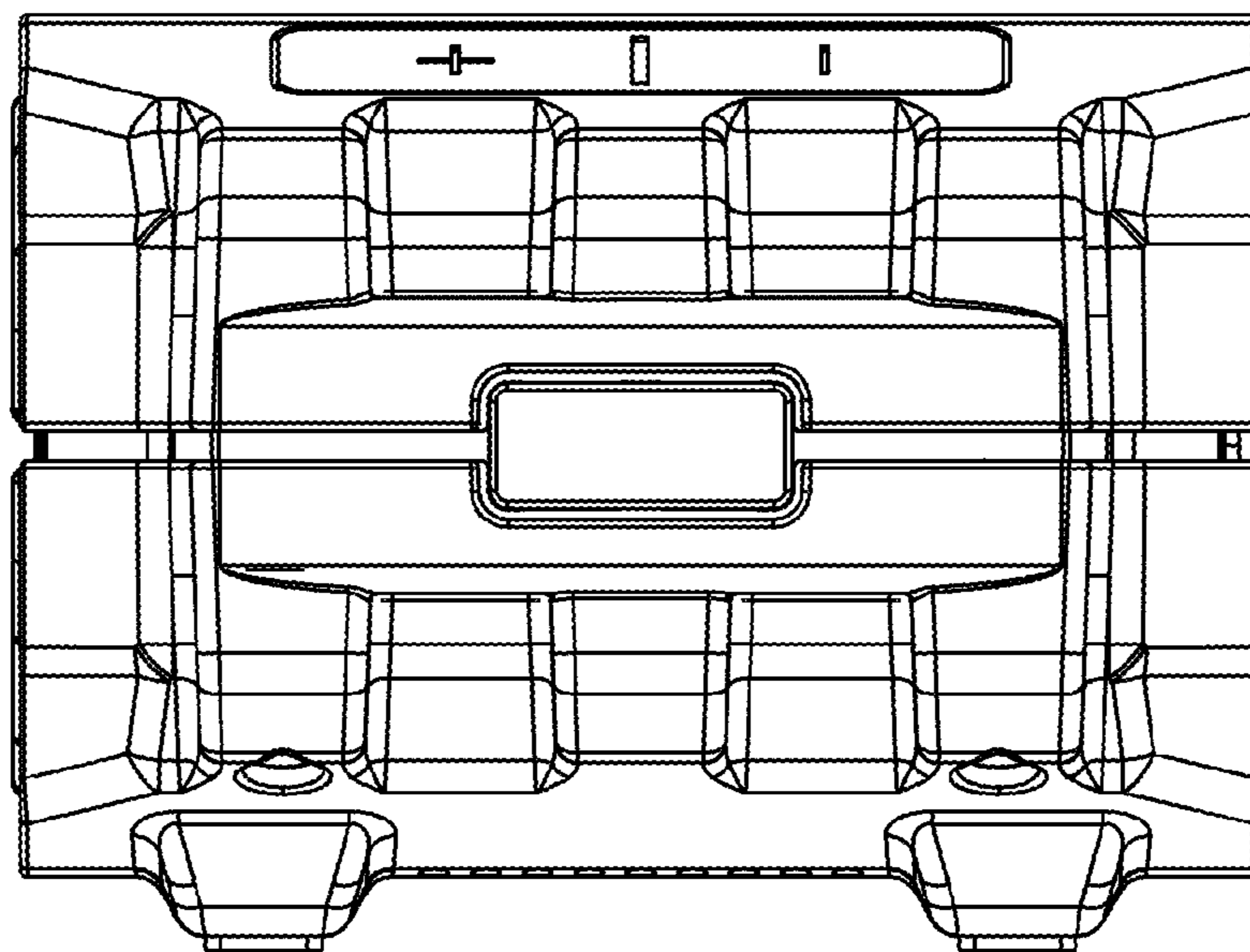


FIG. 13

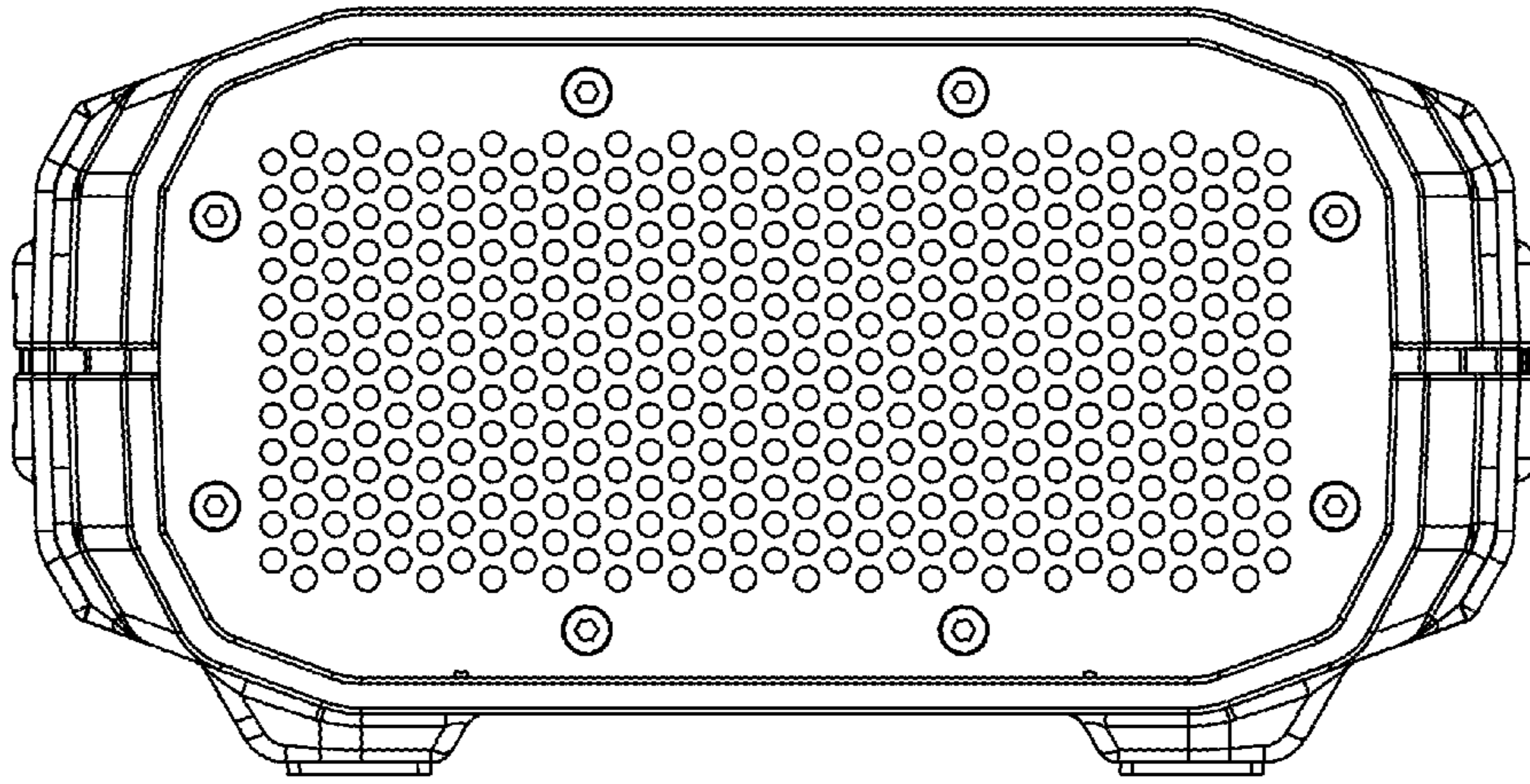


FIG. 14

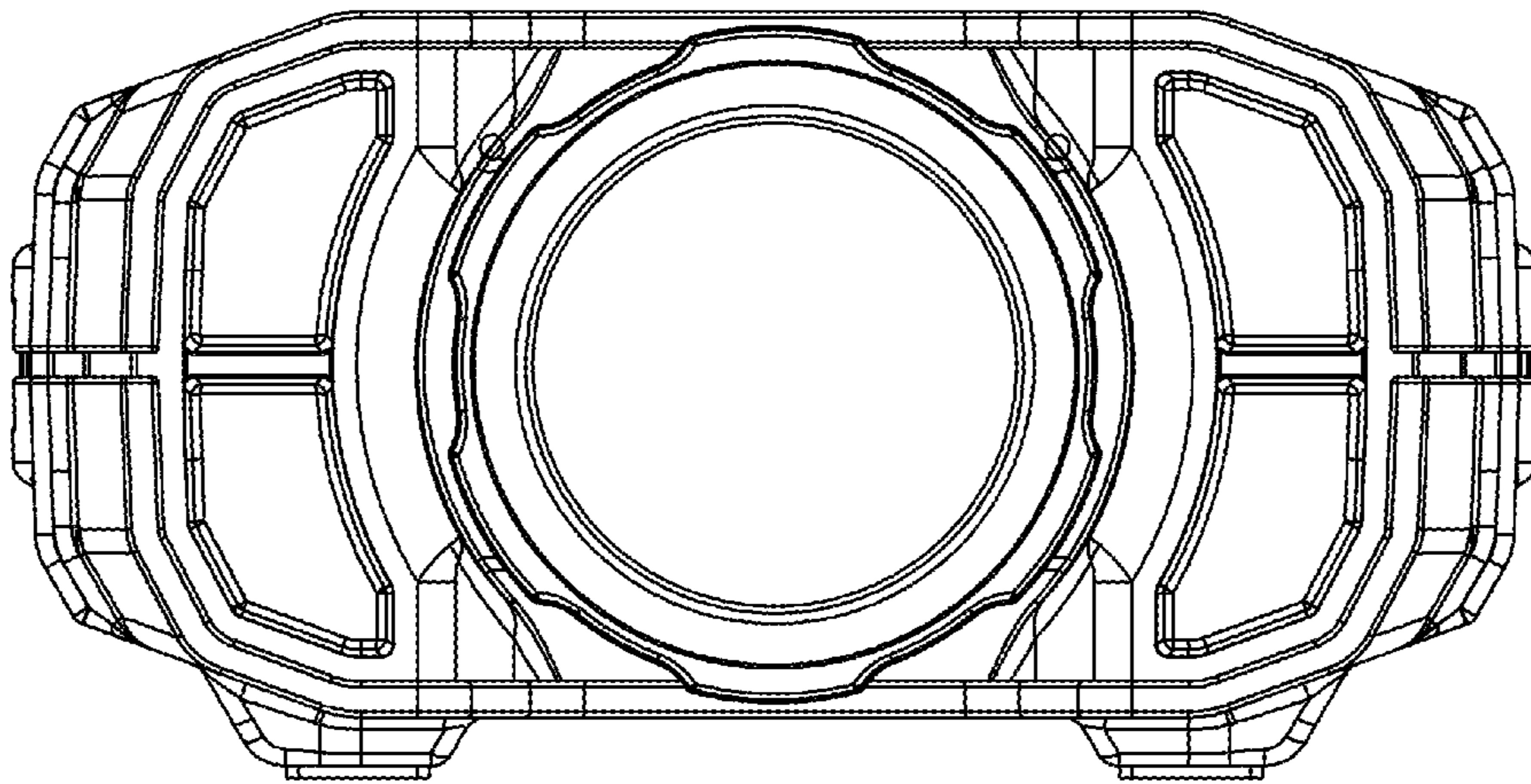


FIG. 15

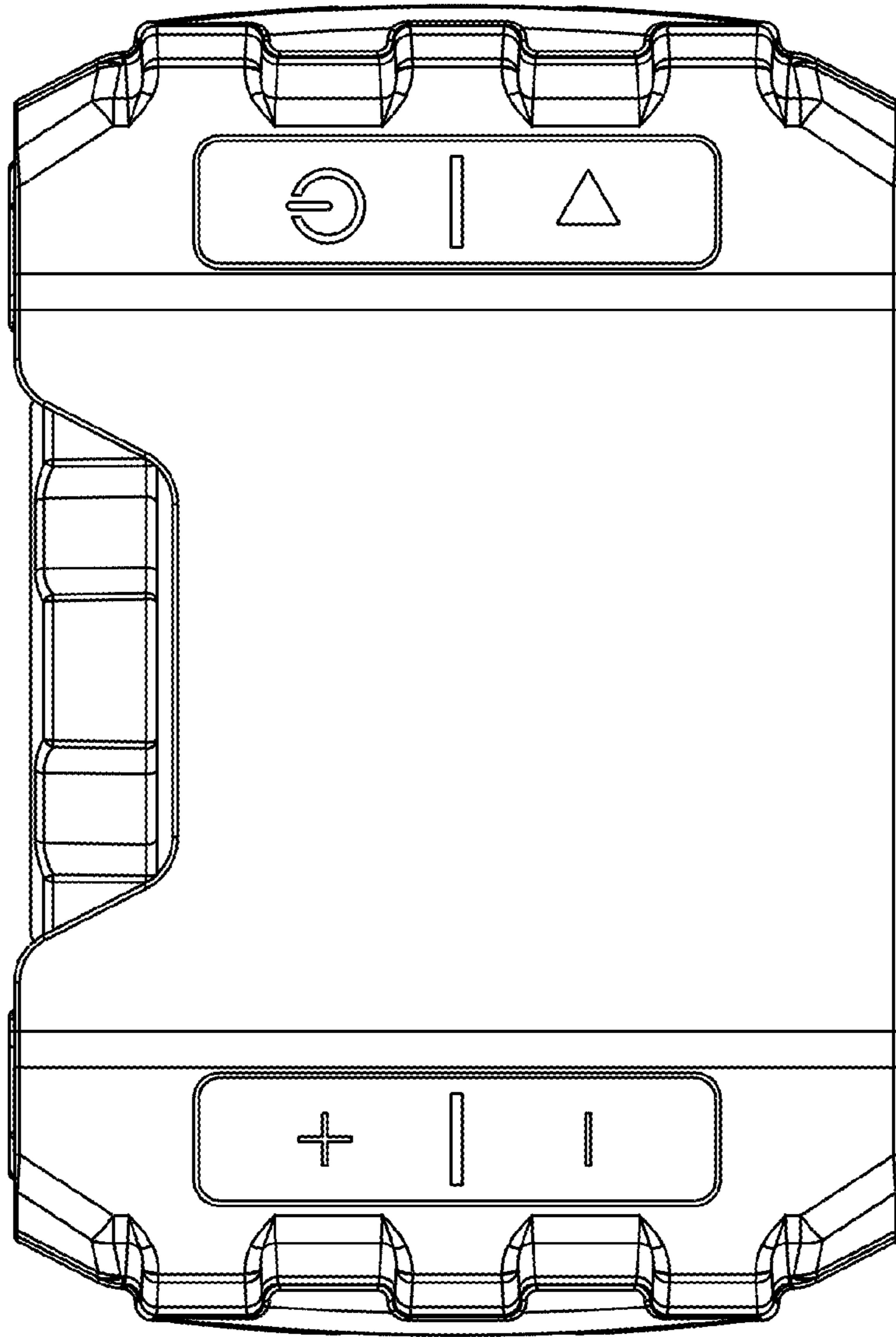


FIG. 16

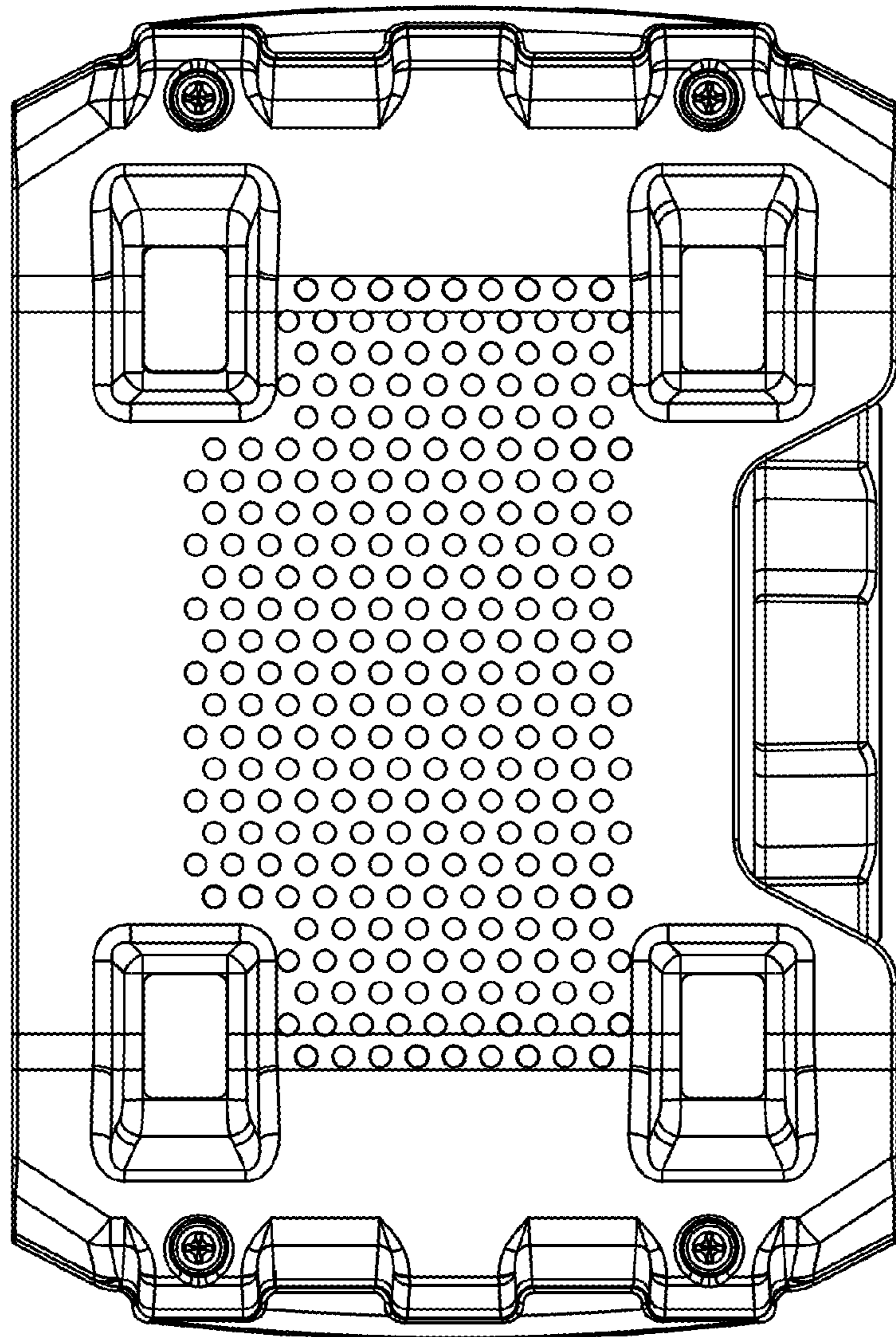


FIG. 17