



US00D715765S

(12) **United States Design Patent**
Kim et al.

(10) **Patent No.:** **US D715,765 S**

(45) **Date of Patent:** **** Oct. 21, 2014**

(54) **DOCKING AUDIO**

(71) Applicant: **Samsung Electronics Co., Ltd.**,
Suwon-si (KR)

(72) Inventors: **Kyoung-Hoon Kim**, Seongnam (KR);
Ji-Gwang Kim, Seoul (KR)

(73) Assignee: **Samsung Electronics Co., Ltd.**,
Suwon-si, Gyeonggi-do (KR)

(**) Term: **14 Years**

(21) Appl. No.: **29/434,570**

(22) Filed: **Oct. 15, 2012**

(30) **Foreign Application Priority Data**

May 2, 2012 (KR) 30-2012-0021326

(51) **LOC (10) Cl.** **14-03**

(52) **U.S. Cl.**
USPC **D14/209.1; D14/216**

(58) **Field of Classification Search**
USPC D14/142, 149, 155, 157, 167, 168,
D14/170-172, 188, 191-196, 203.1-203.8,
D14/204, 207, 209.1, 210-217, 221, 222,
D14/224, 238.1, 251-253, 432-435.1, 447,
D14/451, 474, 480.1-480.7, 496; D13/107,
D13/108, 118, 133; D3/218; 248/221.11,
248/309.1; 320/107, 110, 113-115;
361/600; 439/529, 534;
455/556.1-556.2, 557; 181/143, 144,
181/147, 148, 150, 153, 157, 198, 199;
381/300-303, 306, 332, 333, 336, 345,
381/361-364, 386-388; 369/6-12
See application file for complete search history.

(56) **References Cited**

U.S. PATENT DOCUMENTS

D505,941 S * 6/2005 Hirano D14/215
D530,319 S * 10/2006 Sarasjoki et al. D14/253

D551,207 S * 9/2007 Yano D14/214
D589,026 S * 3/2009 Ang et al. D14/168
D592,186 S * 5/2009 Cho et al. D14/214
D594,845 S * 6/2009 Skurdal D14/168
D602,478 S * 10/2009 Pesdirz et al. D14/224
D606,043 S * 12/2009 Lin D14/216
D617,305 S * 6/2010 Chen et al. D14/172
D623,501 S * 9/2010 Blonder D8/356
D625,288 S * 10/2010 Ueda D14/209.1
D633,078 S * 2/2011 Lewis D14/168
D642,156 S * 7/2011 Joseph D14/209.1
D651,193 S * 12/2011 Chang D14/209.1
D691,116 S * 10/2013 Ponce D14/215
D698,753 S * 2/2014 Yiu et al. D14/216
D703,182 S * 4/2014 McManigal et al. D14/198

OTHER PUBLICATIONS

U.S. Appl. No. 29/434,566, Applicant: Kyoung-Hoon Kim et al., filed Oct. 15, 2012 entitled Docking Audio.

* cited by examiner

Primary Examiner — Keli L Hill

(74) *Attorney, Agent, or Firm* — Flynn, Thiel, Boutell & Tanis, P.C.

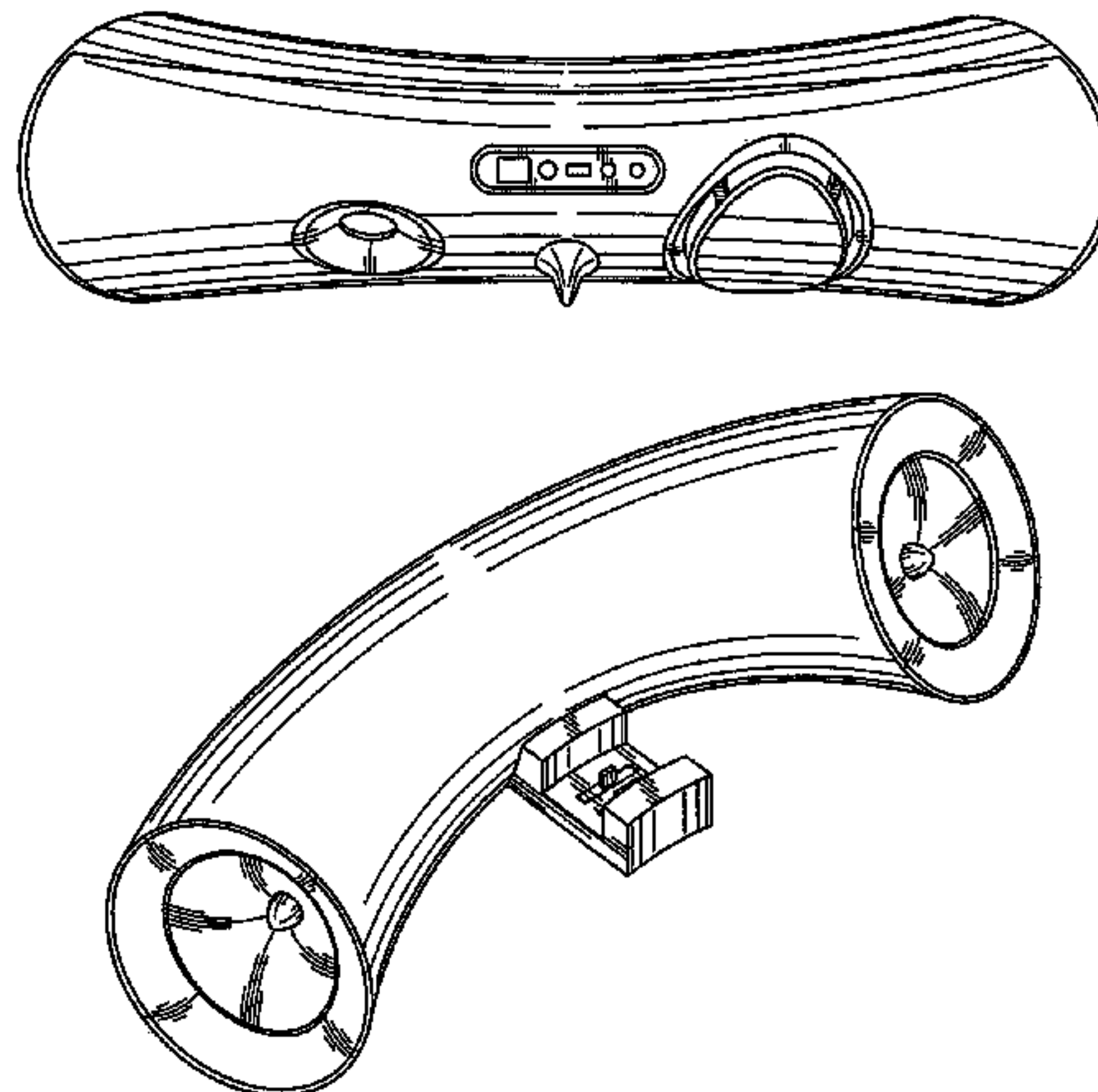
(57) **CLAIM**

The ornamental design for a docking audio, as shown and described.

DESCRIPTION

FIG. 1 is a top front perspective view of a docking audio showing our new design;
FIG. 2 is a front elevational view thereof;
FIG. 3 is a rear elevational view thereof;
FIG. 4 is a left side elevational view thereof;
FIG. 5 is a right side elevational view thereof;
FIG. 6 is a top plan view thereof;
FIG. 7 is a bottom plan view thereof; and,
FIG. 8 is a top front perspective view thereof when a docking device of the present audio is exposed.

1 Claim, 4 Drawing Sheets



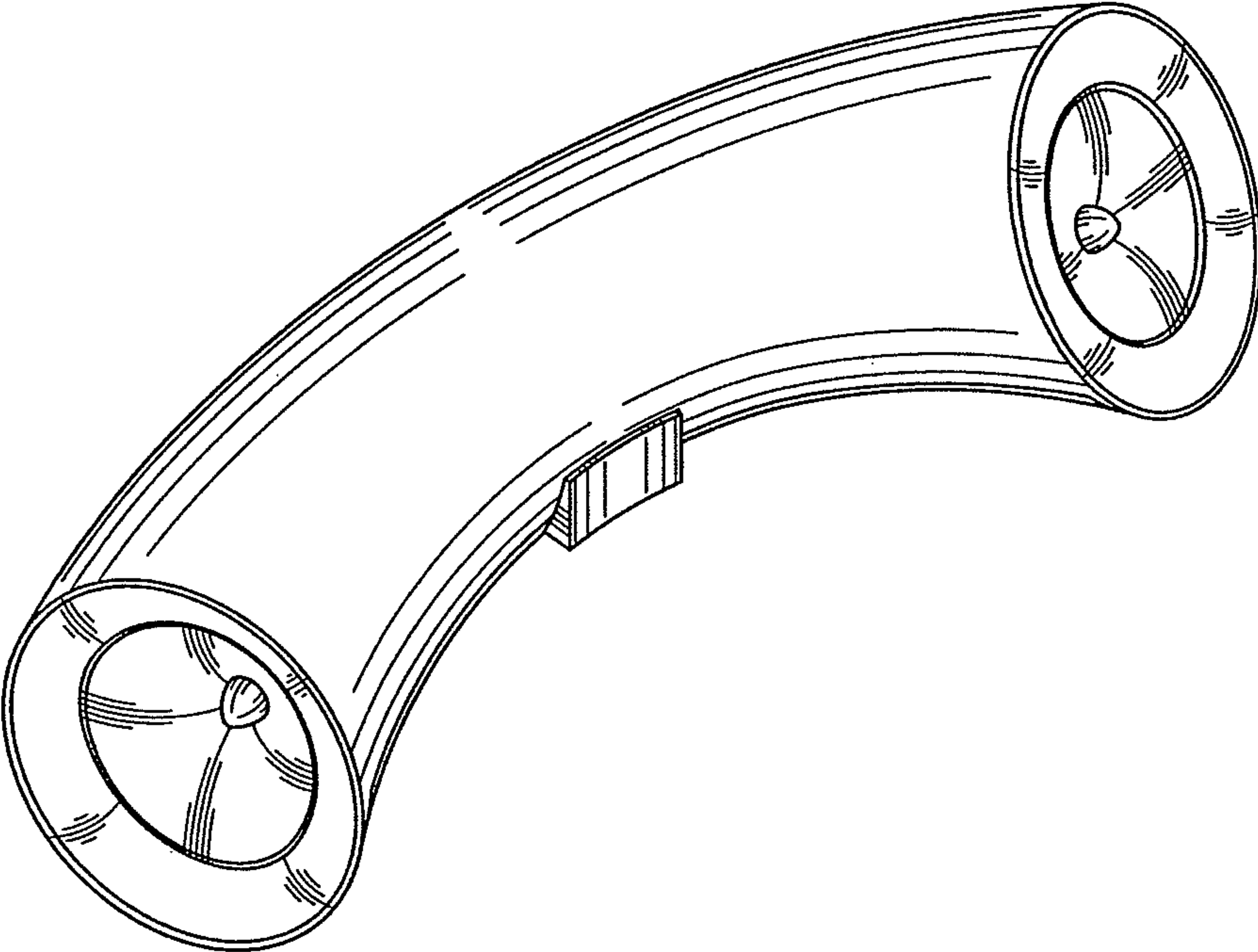


FIG. 1

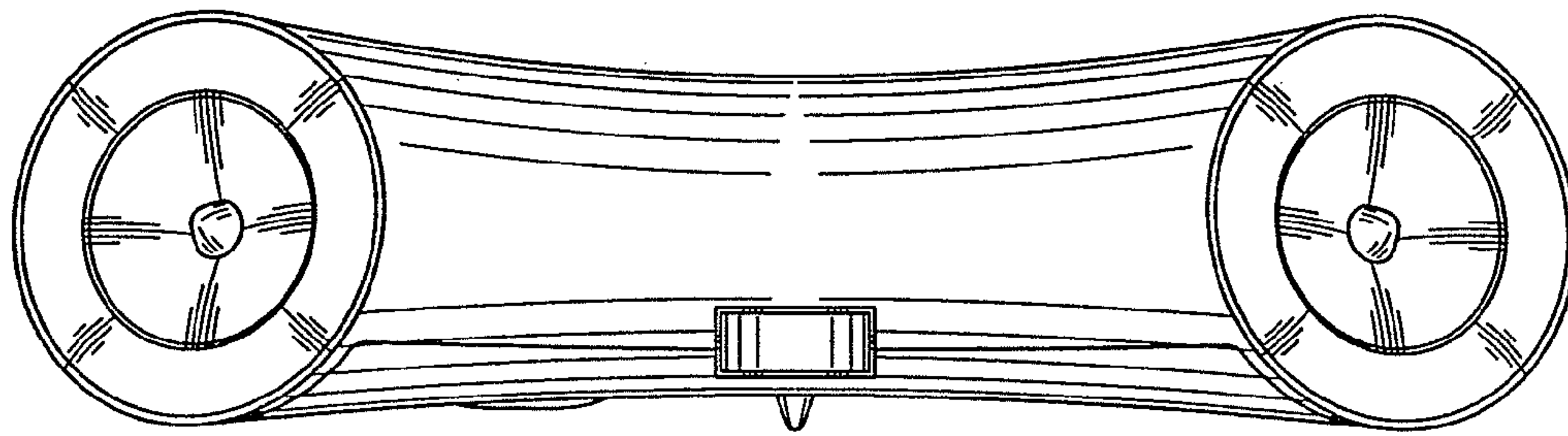


FIG. 2

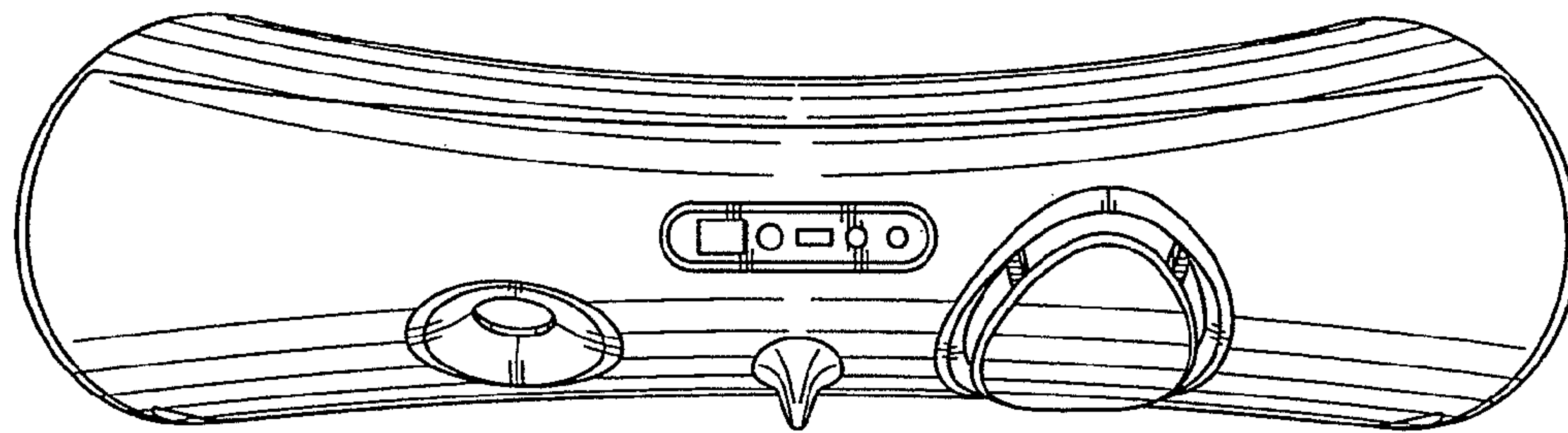


FIG. 3

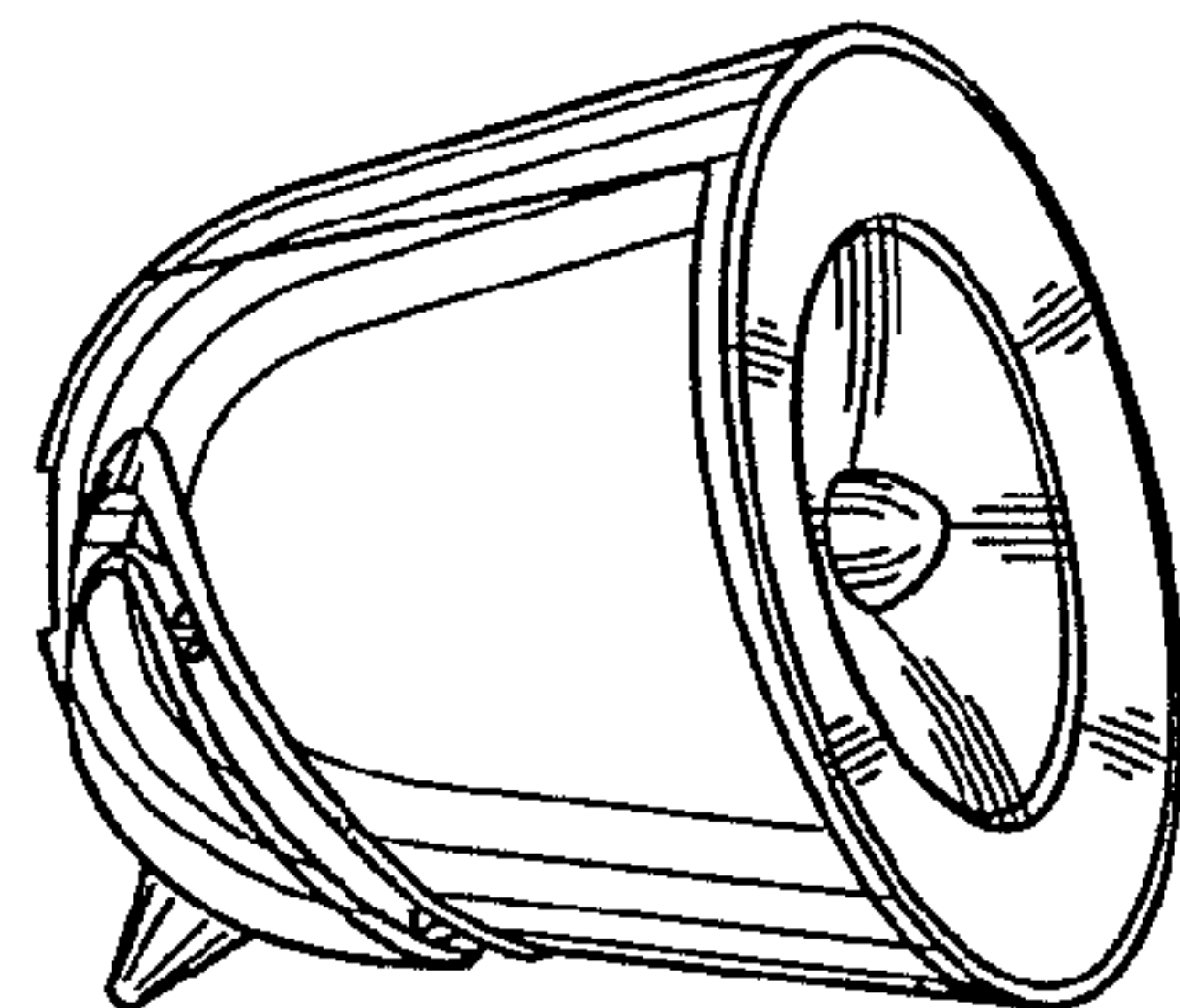


FIG. 4

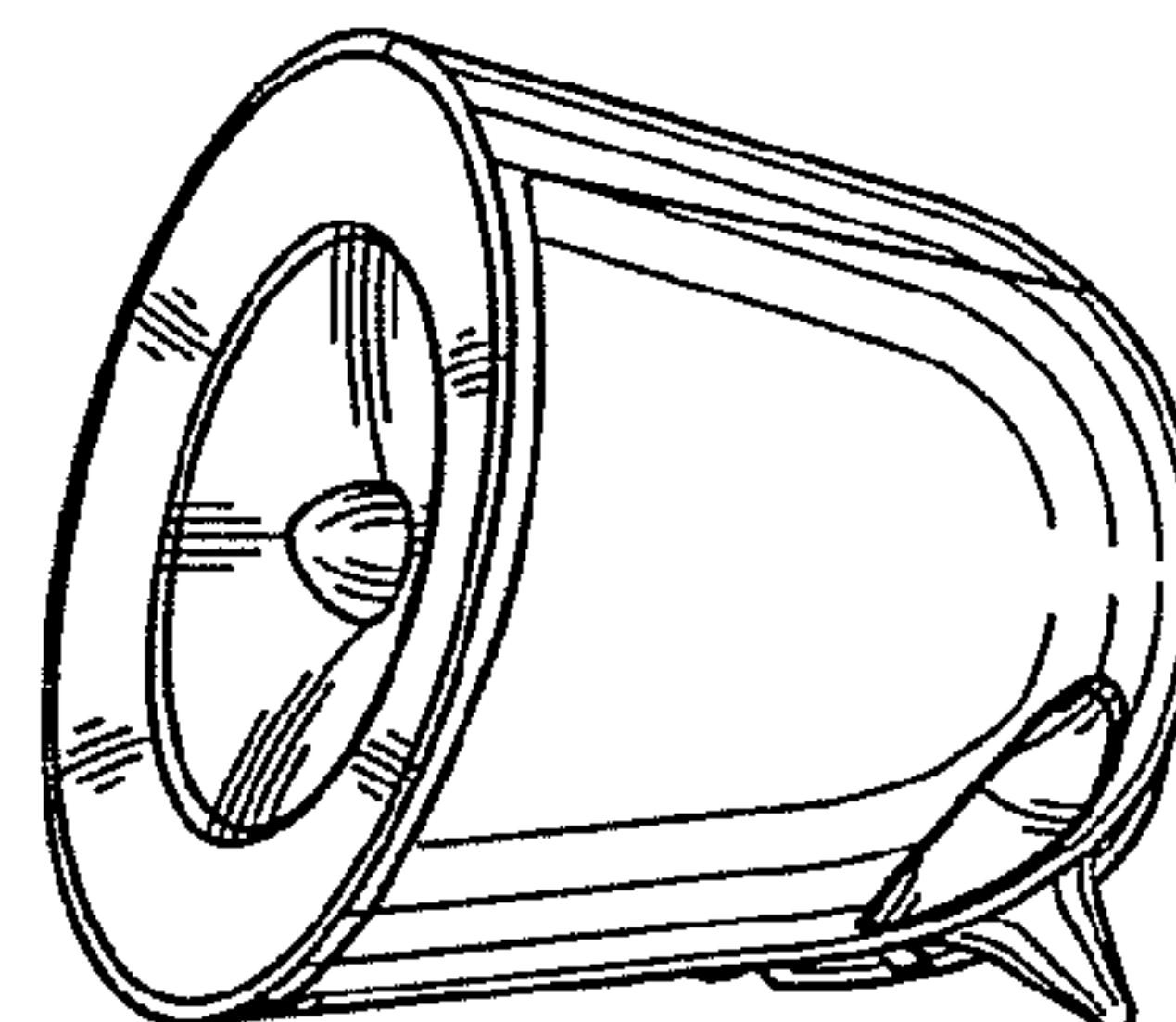


FIG. 5

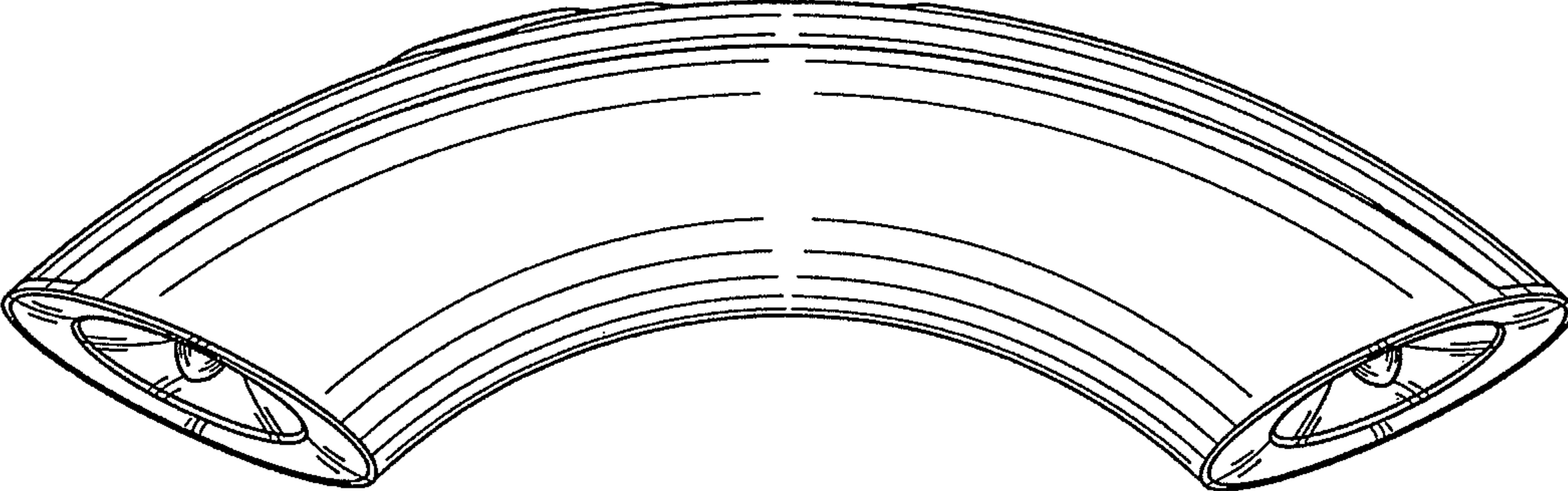


FIG. 6

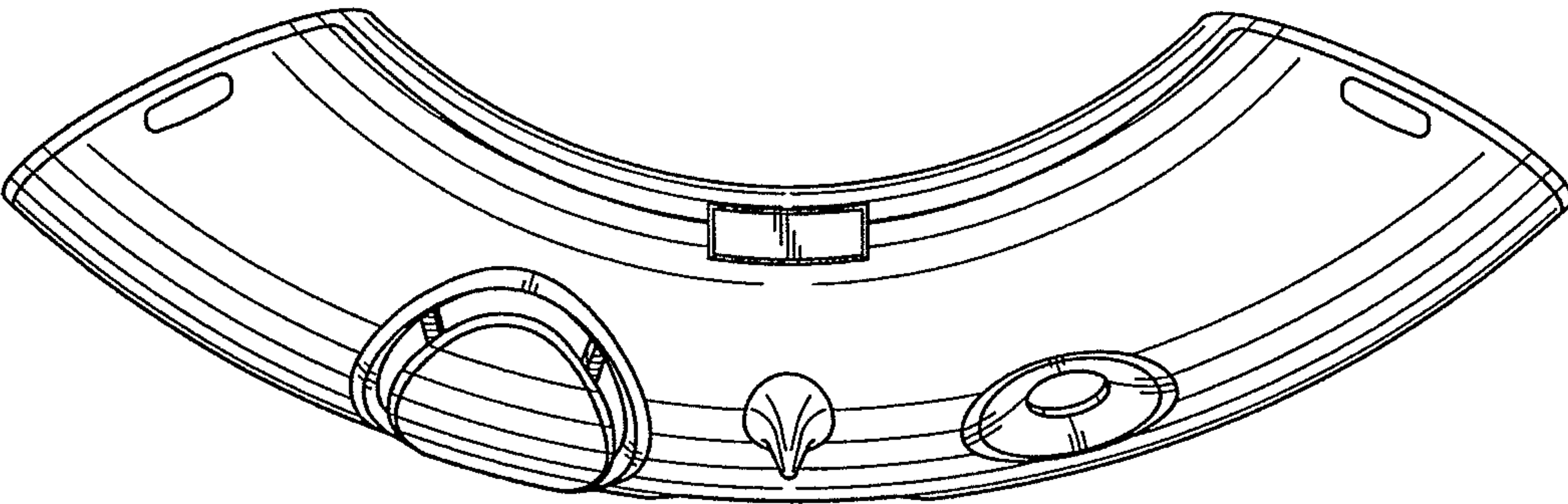


FIG. 7

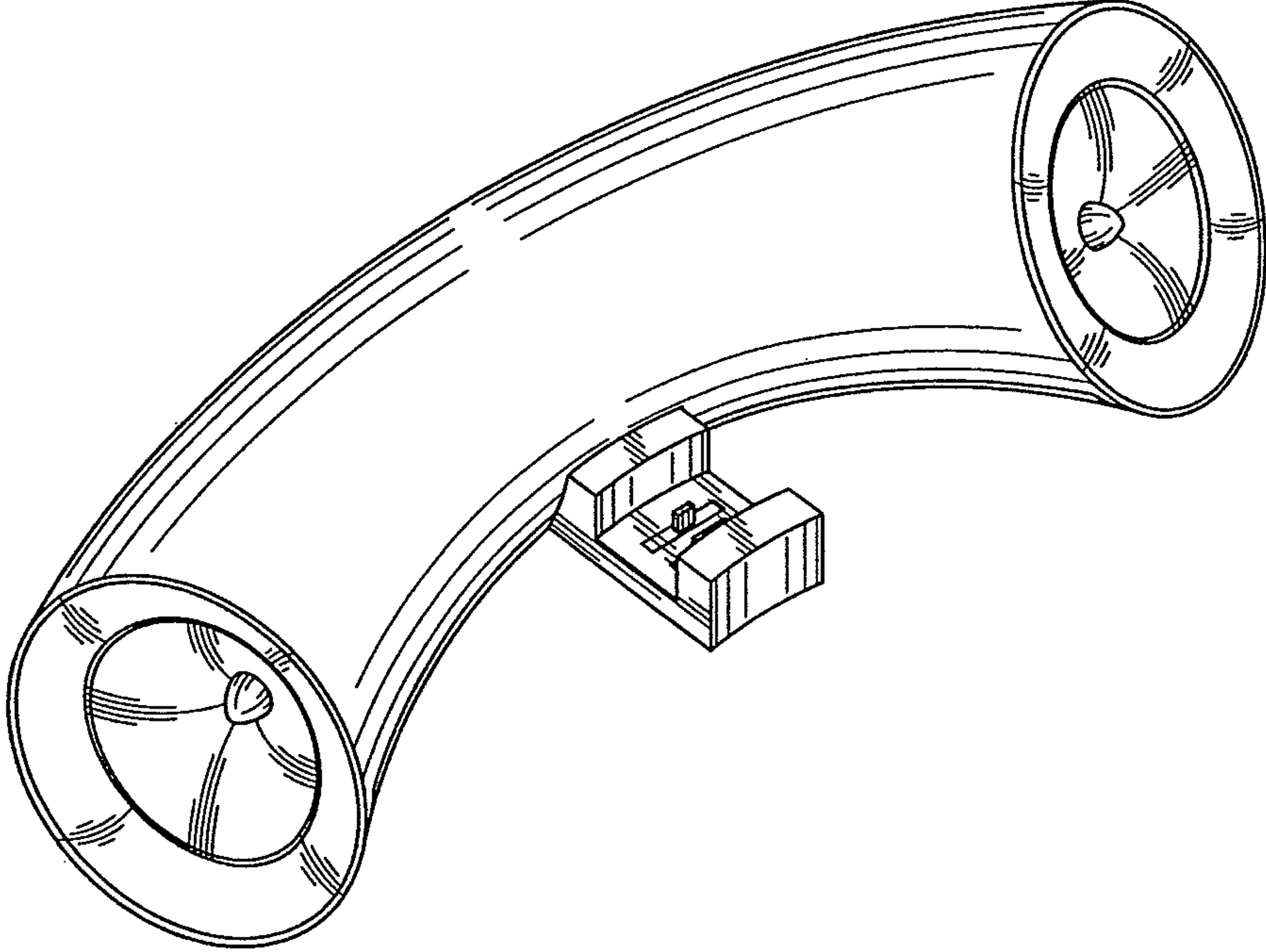


FIG.8