



US00D715764S

(12) **United States Design Patent**  
**Kim et al.**

(10) **Patent No.:** **US D715,764 S**  
(45) **Date of Patent:** **\*\* Oct. 21, 2014**

(54) **DOCKING AUDIO**

(71) Applicant: **Samsung Electronics Co., Ltd.**,  
Suwon-si (KR)

(72) Inventors: **Kyoung-Hoon Kim**, Seongnam (KR);  
**Ji-Gwang Kim**, Seoul (KR)

(73) Assignee: **Samsung Electronics Co., Ltd.**,  
Suwon-si, Gyeonggi-do (KR)

(\*\*) Term: **14 Years**

(21) Appl. No.: **29/434,566**

(22) Filed: **Oct. 15, 2012**

(30) **Foreign Application Priority Data**

May 2, 2012 (KR) ..... 30-2012-0021313

(51) **LOC (10) Cl.** ..... **14-03**

(52) **U.S. Cl.**  
USPC ..... **D14/209.1; D14/216**

(58) **Field of Classification Search**  
USPC ..... D14/142, 149, 155, 157, 167, 168,  
D14/170-172, 188, 191-196, 203.1-203.8,  
D14/204, 207, 209.1, 210-217, 221, 222,  
D14/224, 238.1, 251-253, 432-435.1, 447,  
D14/451, 474, 480.1-480.7, 496; D13/107,  
D13/108, 118, 133; D3/218; 248/221.11,  
248/309.1; 320/107, 110, 113-115;  
361/600; 439/529, 534;  
455/556.1-556.2, 557; 181/143, 144,  
181/147, 148, 150, 153, 157, 198, 199;  
381/300-303, 306, 332, 333, 336, 345,  
381/361-364, 386-388; 369/6-12  
See application file for complete search history.

(56) **References Cited**

**U.S. PATENT DOCUMENTS**

D505,941 S \* 6/2005 Hirano ..... D14/215  
D530,319 S \* 10/2006 Sarasjoki et al. .... D14/253

D551,207 S \* 9/2007 Yano ..... D14/214  
D589,026 S \* 3/2009 Ang et al. .... D14/168  
D592,186 S \* 5/2009 Cho et al. .... D14/214  
D594,845 S \* 6/2009 Skurdal ..... D14/168  
D602,478 S \* 10/2009 Pesdirz et al. .... D14/224  
D606,043 S \* 12/2009 Lin ..... D14/216  
D617,305 S \* 6/2010 Chen et al. .... D14/172  
D623,501 S \* 9/2010 Blonder ..... D8/356  
D625,288 S \* 10/2010 Ueda ..... D14/209.1  
D633,078 S \* 2/2011 Lewis ..... D14/168  
D642,156 S \* 7/2011 Joseph ..... D14/209.1  
D651,193 S \* 12/2011 Chang ..... D14/209.1  
D691,116 S \* 10/2013 Ponce ..... D14/215  
D698,753 S \* 2/2014 Yiu et al. .... D14/216  
D703,182 S \* 4/2014 McManigal et al. .... D14/198

**OTHER PUBLICATIONS**

U.S. Appl. No. 29/434,570, Applicant: Kyoung-Hoon Kim et al., filed Oct. 15, 2012 entitled Docking Audio.

\* cited by examiner

*Primary Examiner* — Keli L Hill

(74) *Attorney, Agent, or Firm* — Flynn, Thiel, Boutell & Tanis, P.C.

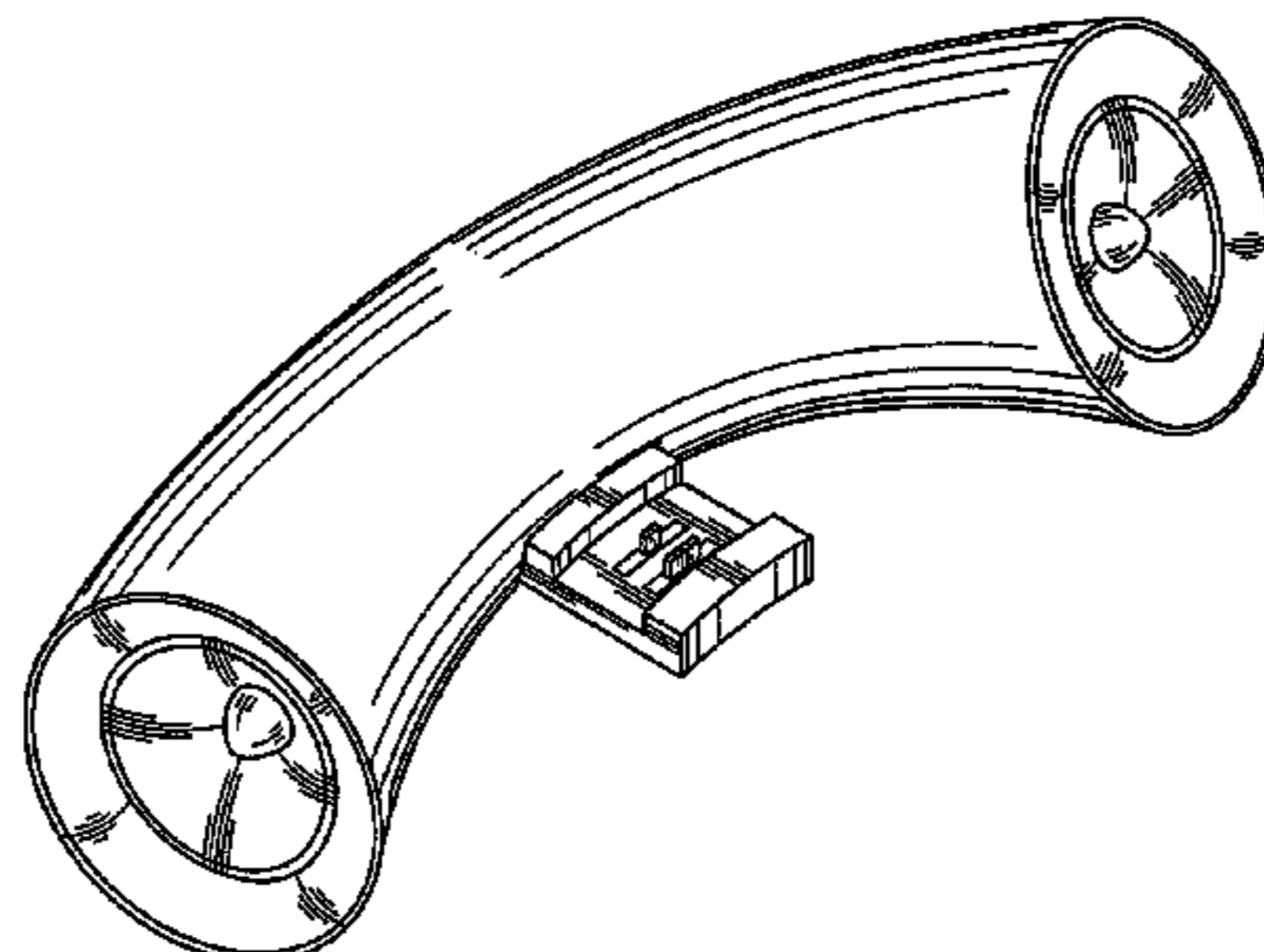
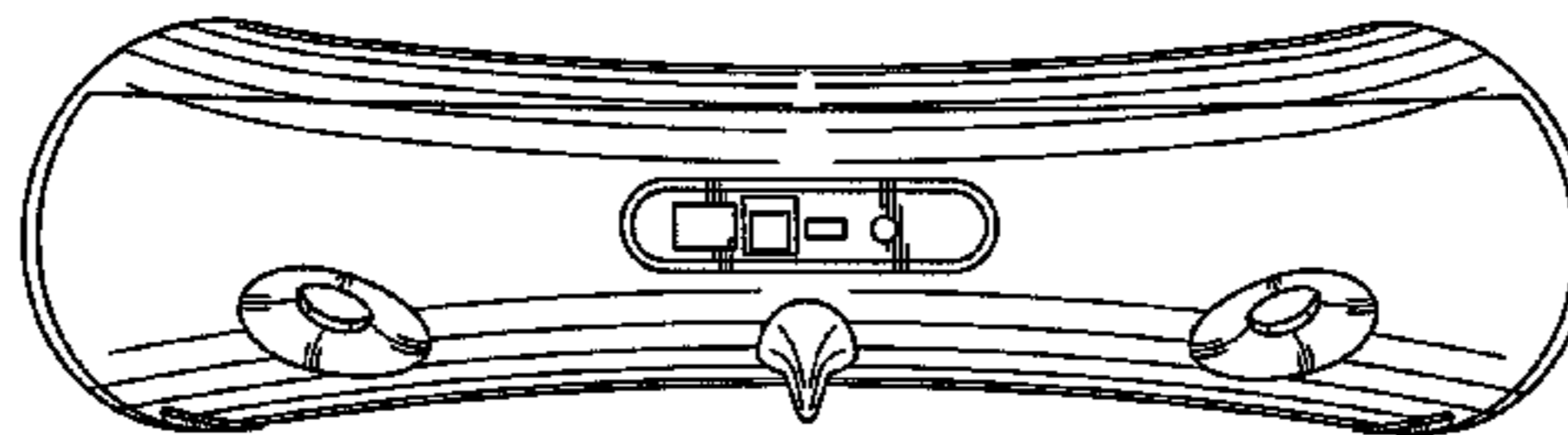
(57) **CLAIM**

The ornamental design for a docking audio, as shown and described.

**DESCRIPTION**

FIG. 1 is a top front perspective view of a docking audio showing our new design;  
FIG. 2 is a front elevational view thereof;  
FIG. 3 is a rear elevational view thereof;  
FIG. 4 is a left side elevational view thereof;  
FIG. 5 is a right side elevational view thereof;  
FIG. 6 is a top plan view thereof;  
FIG. 7 is a bottom plan view thereof; and,  
FIG. 8 is a top front perspective view thereof when a docking device of the present audio is exposed.

**1 Claim, 4 Drawing Sheets**



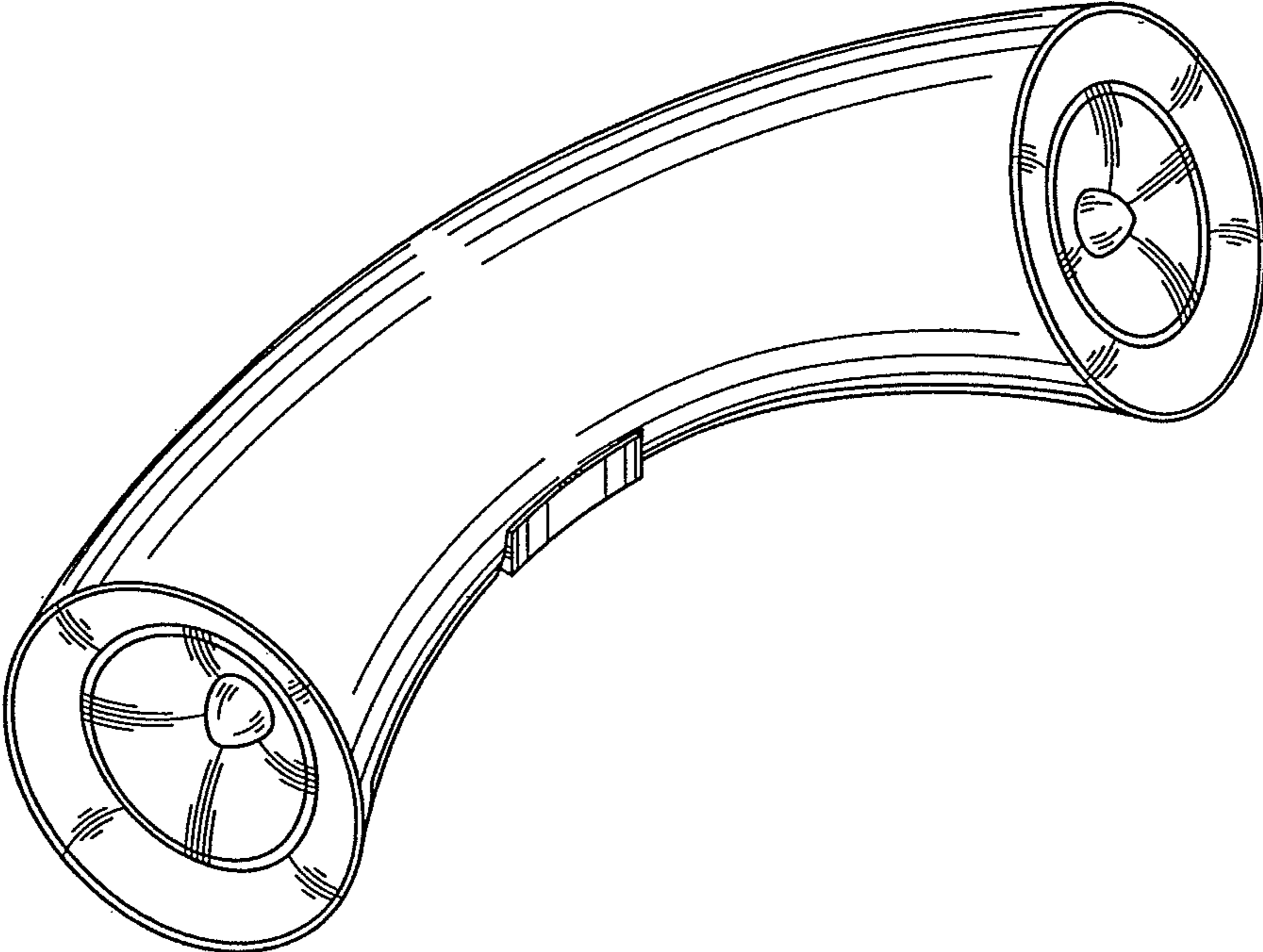


FIG.1

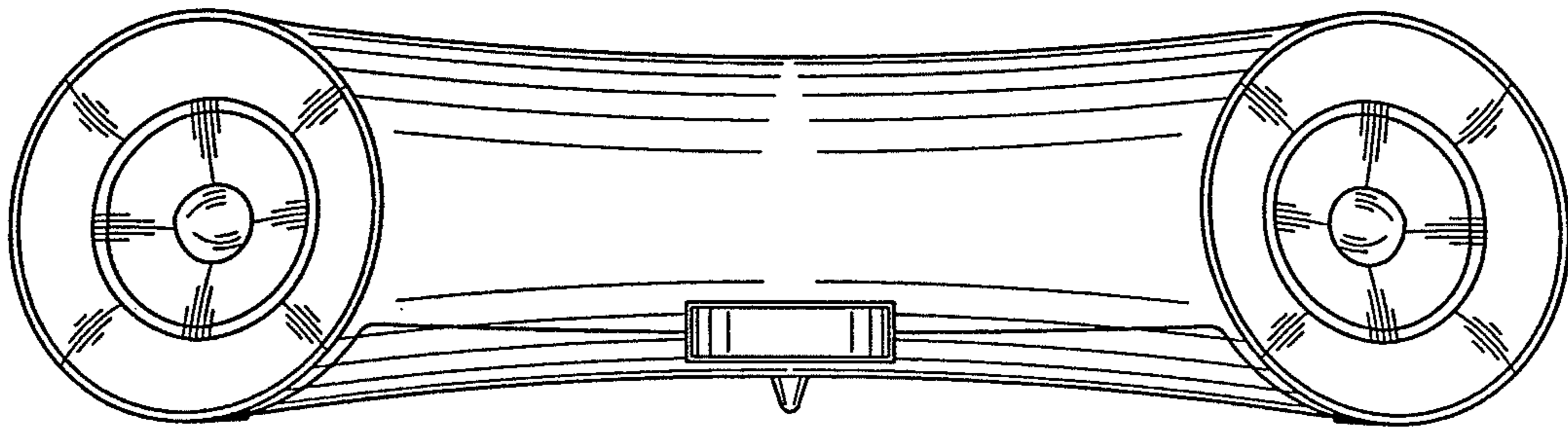


FIG. 2

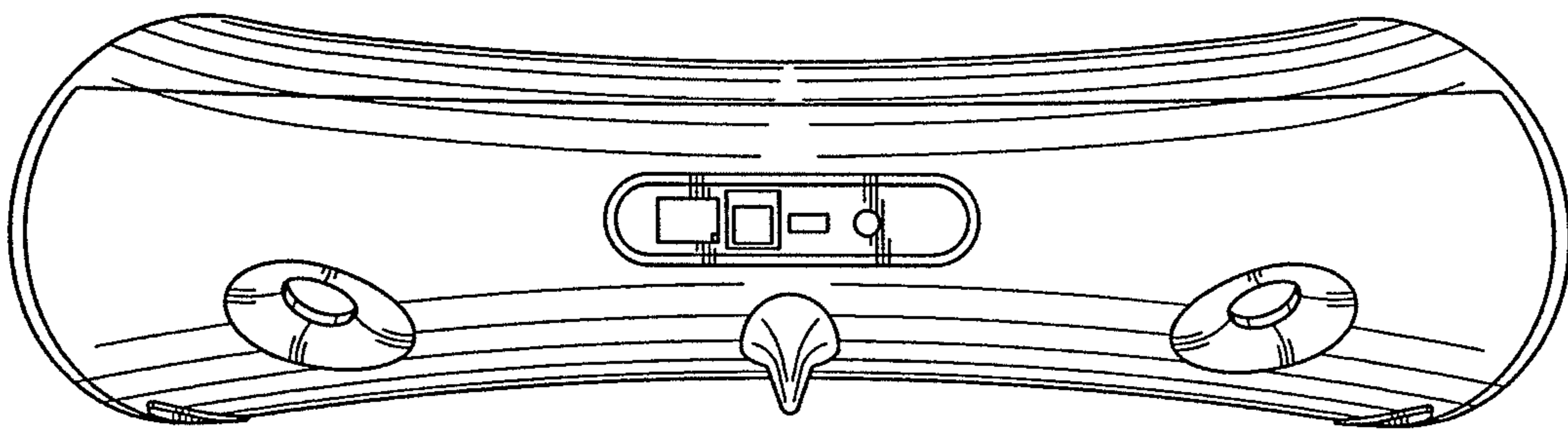


FIG. 3

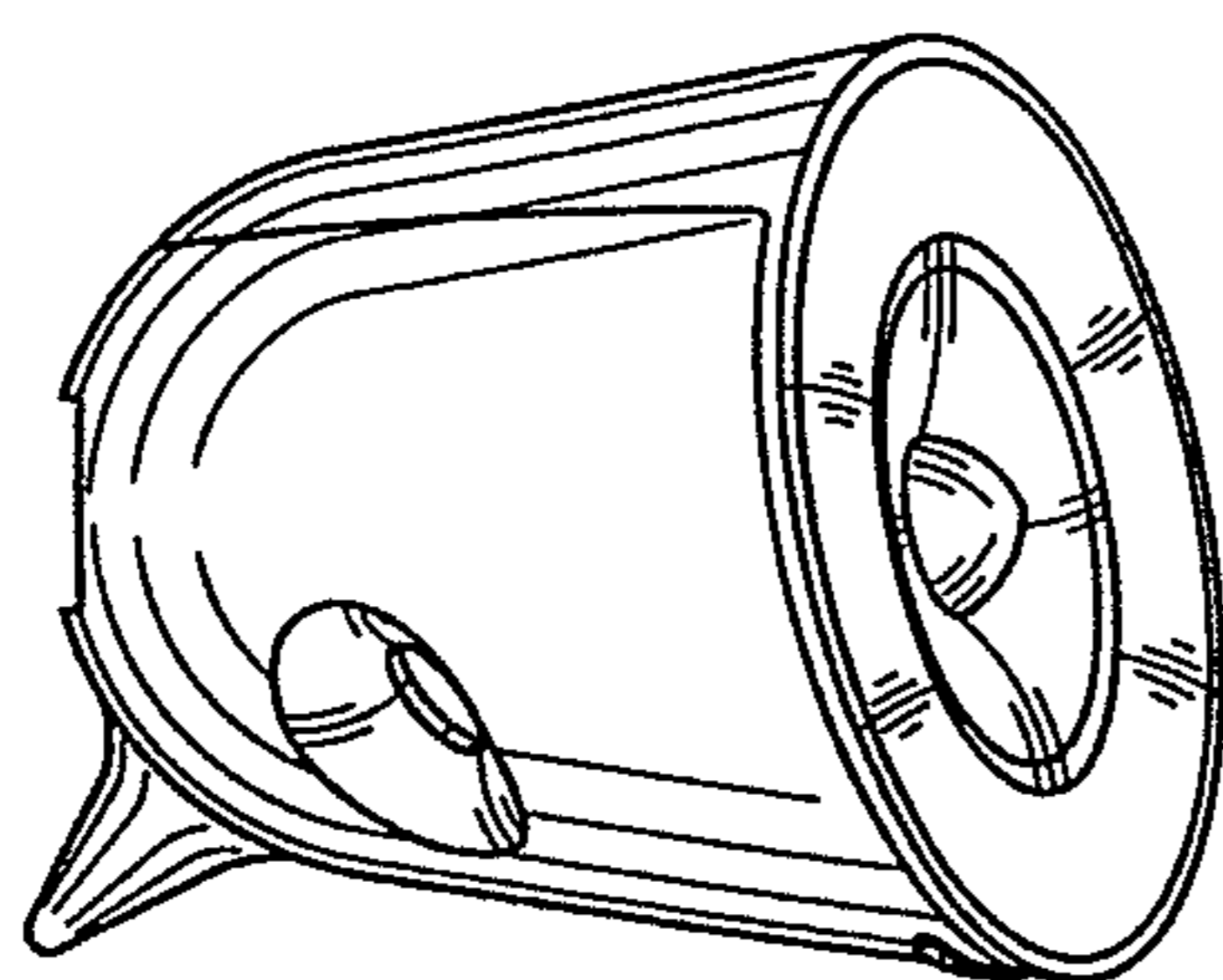


FIG. 4

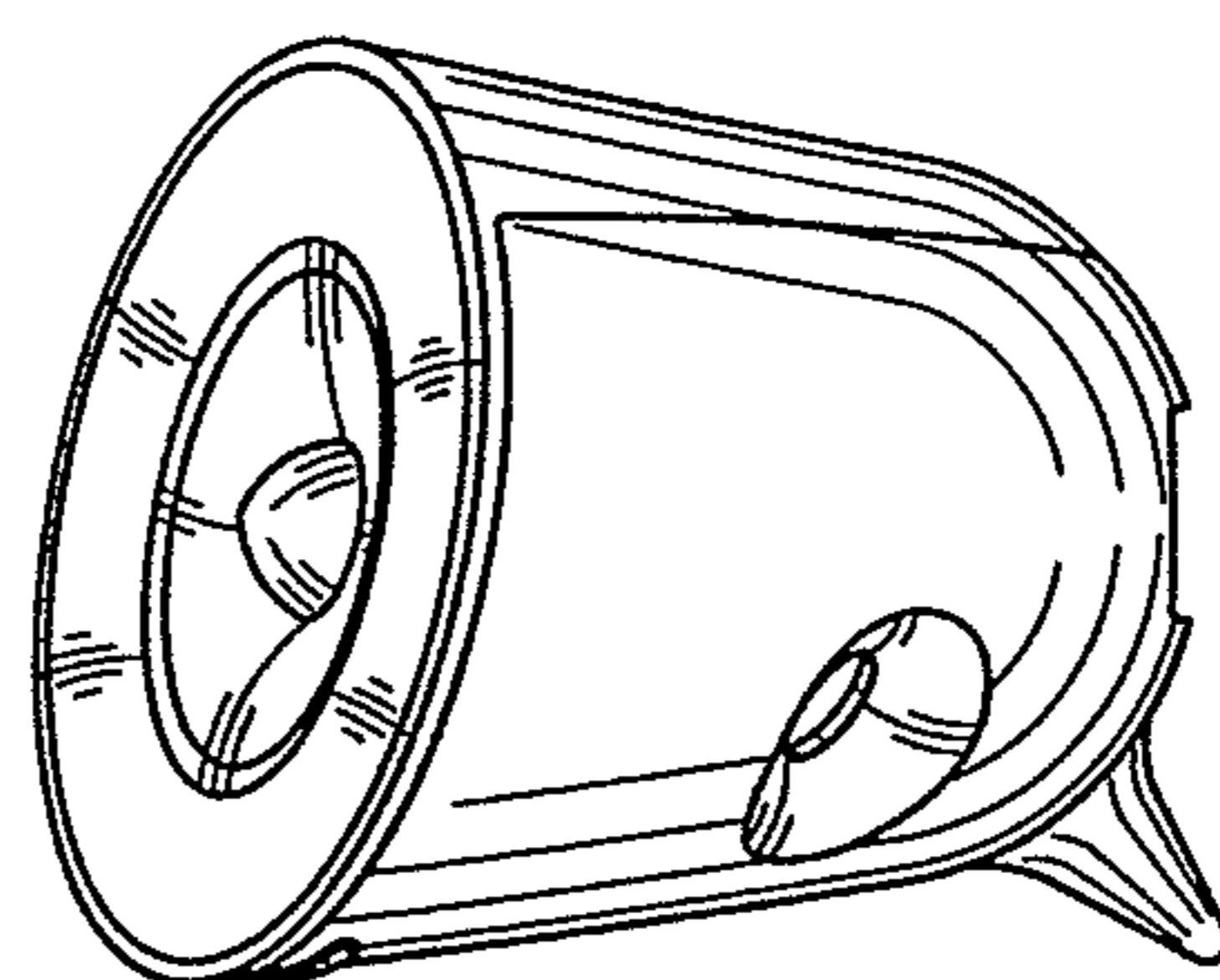


FIG. 5

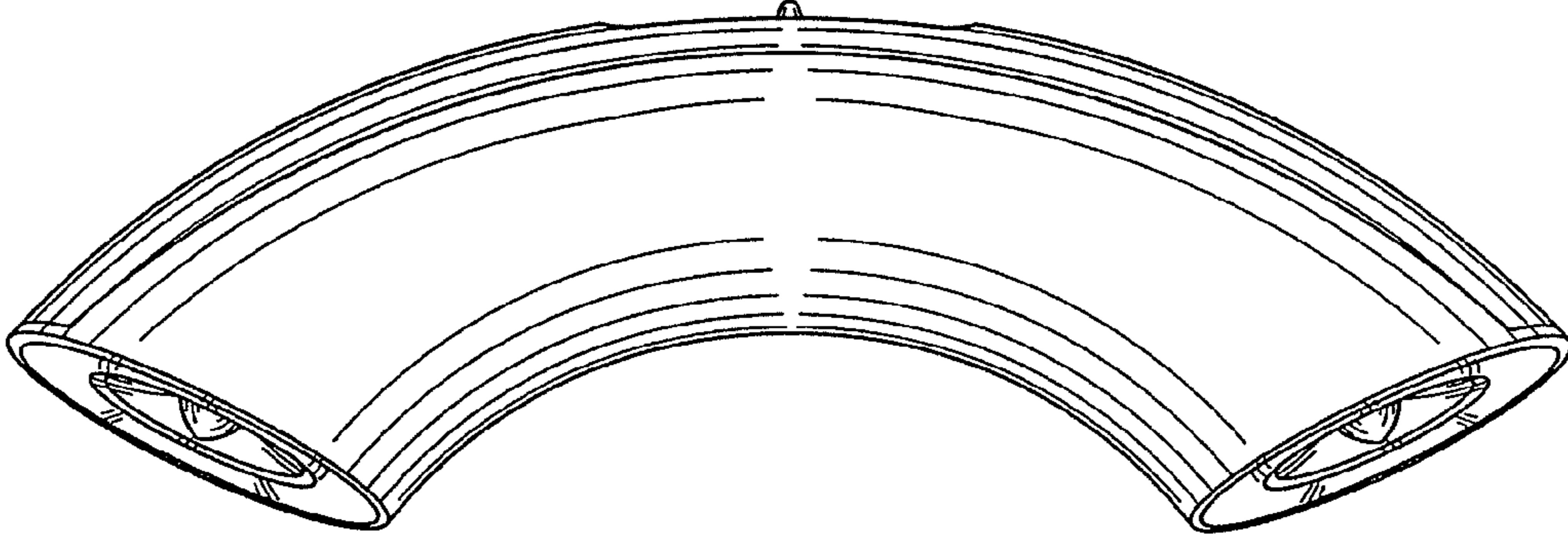


FIG. 6

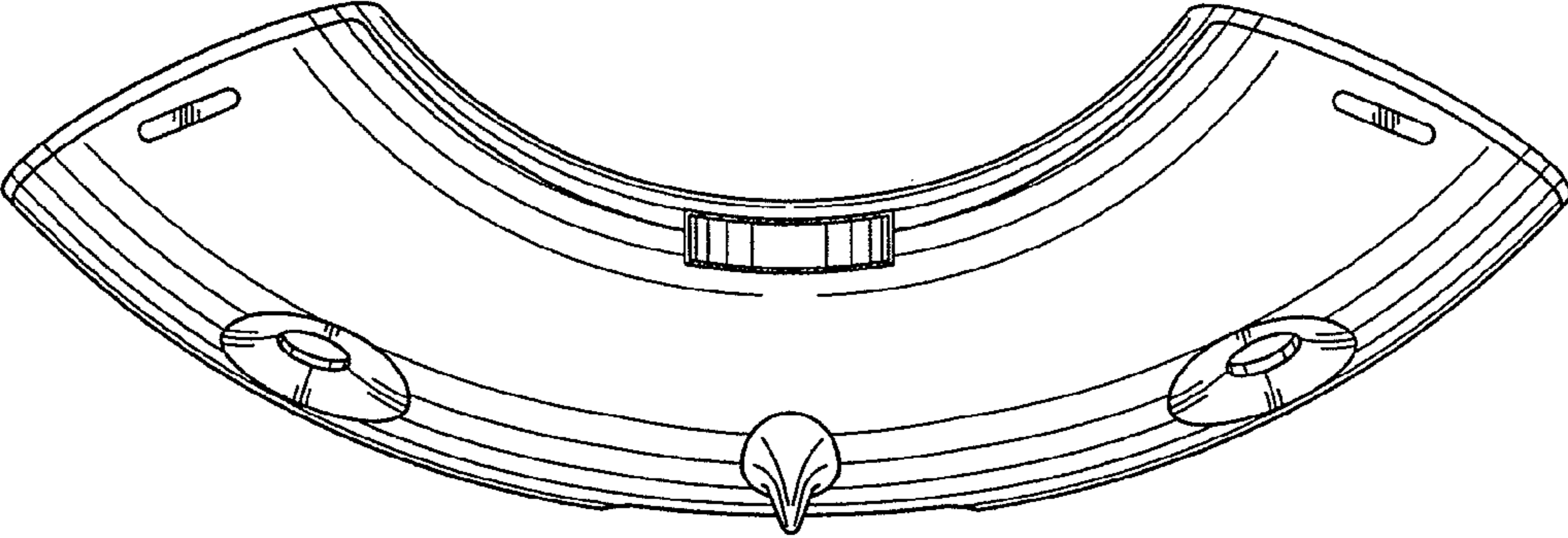


FIG. 7

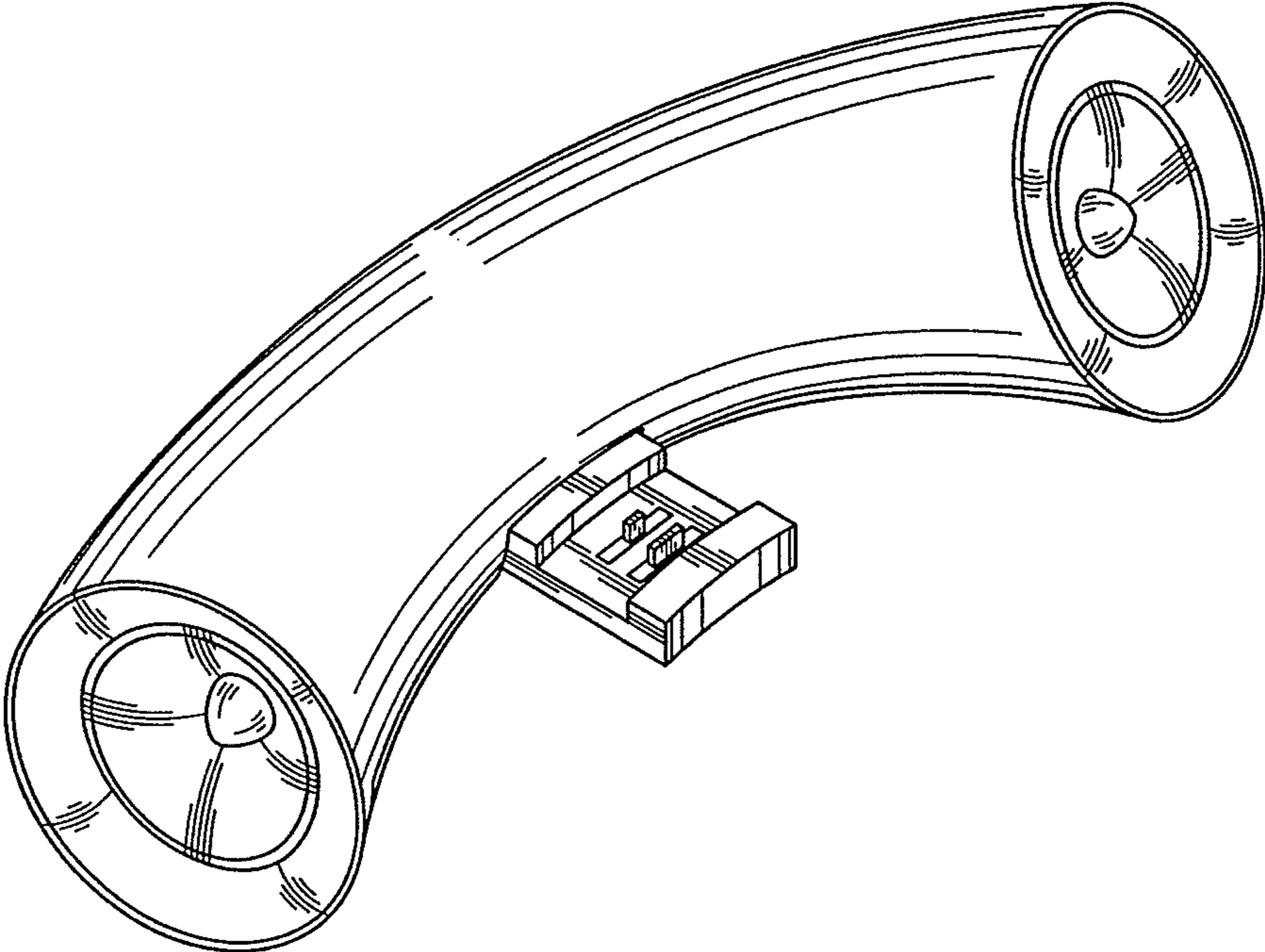


FIG.8